

FESTO



L538 Purchase Parts List

Steve Cartwright AME Tel: 0044 2476 205372 email: scartwr3@jaguarlandrover.com
 Jaguar Cars Limited, Castle Bromwich Plant, Chester Road, Castle Bromwich. B35 7RA

Doug Ikin Tel: 0044 151 448 4349 email: dikin1@jaguarlandrover.com
 Ian Cowhig Tel: 0044 151 448 3826 email: icowhig@jaguarlandrover.com
 Jaguar Cars Ltd, Speke Boulevard, Halewood, Merseyside, L24 9BJ

Festo Contacts:

Martin Brooks Tel: 0044 7976 745047 Fax: 01604 667001 email: martin_brooks@festo.com

	<p>STANDARD CYLINDER</p> <p>Ø32mm – Ø320mm</p>	<p>DFG</p> <p>THESE CYLINDERS ARE IDENTICAL TO FESTO DNG CYLINDERS – REBADGED TO INCLUDE FORD UNC PART NUMBERS = DFG</p>
	<p>STANDARD CYLINDER FITTED WITH ROD LOCK</p>	<p>DNC-....-PPV-A-KP</p> <p>PLEASE CONSULT FESTO FOR APPLICATION ADVICE</p>
	<p>CYLINDER FIXINGS</p>	<p>VARIOUS</p> <p>FOR CYLINDER FIXINGS PLEASE REFER TO DFG ACCESSORIES</p>
	<p>COMPACT CYLINDER</p>	<p>ADVU</p>
	<p>STANDARD CYLINDER</p> <p>UP TO ø32mm</p>	<p>DSNU</p>

ANY DEVIATION FROM THIS SPECIFICATION MUST BE APPROVED BY JLR/FESTO IN WRITING VIA OFFICIAL REQUEST FORM

PLEASE NOTE THAT THIS PPL GIVES AN INDICATION OF THE PRODUCT FAMILIES APPROVED FOR USE WITH JLR L538 PROJECT. SPECIFIC PART NUMBERS ETC CAN BE ADVISED VIA FESTO PROJECT MANAGEMENT.

FESTO






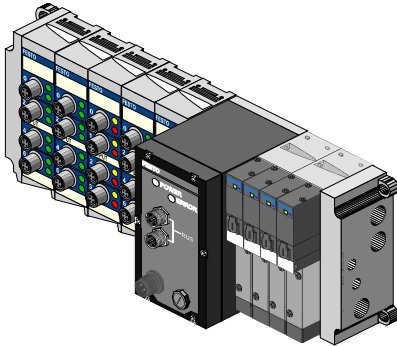
L538 Purchase Parts List

Steve Cartwright AME Tel: 0044 2476 205372 email: scartwr3@jaguarlandrover.com
 Jaguar Cars Limited, Castle Bromwich Plant, Chester Road, Castle Bromwich. B35 7RA

Doug Ikin Tel: 0044 151 448 4349 email: dikin1@jaguarlandrover.com
 Ian Cowhig Tel: 0044 151 448 3826 email: icowhig@jaguarlandrover.com
 Jaguar Cars Ltd, Speke Boulevard, Halewood, Merseyside, L24 9BJ

Festo Contacts:

Martin Brooks Tel: 0044 7976 745047 Fax: 01604 667001 email: martin_brooks@festo.com

	<p>GUIDE UNIT</p>	<p>FEN/FENG</p>
	<p>CLAMP UNIT</p>	<p>KP/KPE</p>
	<p>RODLESS CYLINDER</p>	<p>DGP/DGPL</p> <p>MOUNT WITH SEALING BAND FACING DOWN TO PREVENT INGRESS OF DIRT & WELD SPATTER</p>
	<p>03 VALVE ISLAND with MAXI VALVES @ 1300 l/m</p>	<p>03E/03P</p> <p>PLEASE LIASE WITH FESTO FOR ADVICE ON EXACT PART NUMBERS</p> <p><u>PERMITTED TYPE CODES ONLY</u></p> <p>ELECTRICAL MODULES – A,T,U</p> <p>PNEUMATICS – XX,J,Y,B,E,G,A,H</p> <p>TYPICAL PART NUMBER:</p> <p>03E-4T-FB22</p> <p>03P-XX2JYB2A+H</p> <p>MANUALS TO BE SUPPLIED IN ELECTRONIC FORMAT</p>

ANY DEVIATION FROM THIS SPECIFICATION MUST BE APPROVED BY JLR/FESTO IN WRITING VIA OFFICIAL REQUEST FORM

PLEASE NOTE THAT THIS PPL GIVES AN INDICATION OF THE PRODUCT FAMILIES APPROVED FOR USE WITH JLR L538 PROJECT. SPECIFIC PART NUMBERS ETC CAN BE ADVISED VIA FESTO PROJECT MANAGEMENT.

FESTO



**L538 Purchase Parts
List**

Steve Cartwright AME Tel: 0044 2476 205372 email: scartwr3@jaguarlandrover.com
Jaguar Cars Limited, Castle Bromwich Plant, Chester Road, Castle Bromwich. B35 7RA






Doug Ikin Tel: 0044 151 448 4349 email: dikin1@jaguarlandrover.com

Ian Cowhig Tel: 0044 151 448 3826 email: icowhig@jaguarlandrover.com

Jaguar Cars Ltd, Speke Boulevard, Halewood, Merseyside, L24 9BJ

Festo Contacts:

Martin Brooks Tel: 0044 7976 745047 Fax: 01604 667001 email: martin_brooks@festo.com

	FIELD BUS NODE COPPER INTERBUS	IFB6-03-SA232302 p/no: 544440
	03 VALVE ISLAND INPUT MODULE with INTERNAL FUSE	VIGE-03-FB-8-5POL-S TYPE CODE 'T'
	03 VALVE ISLAND OUTPUT MODULE	VIGA-03-FB-4-5POL TYPE CODE 'A'
	03 VALVE ISLAND ANALOGUE OUTPUT MODULE	VIAU-03-FB-U TYPE CODE 'U'
	03 VALVE ISLAND SOLENOID VALVE	JMTH/MTH

ANY DEVIATION FROM THIS SPECIFICATION MUST BE APPROVED BY JLR/FESTO IN WRITING VIA OFFICIAL REQUEST FORM

PLEASE NOTE THAT THIS PPL GIVES AN INDICATION OF THE PRODUCT FAMILIES APPROVED FOR USE WITH JLR L538 PROJECT. SPECIFIC PART NUMBERS ETC CAN BE ADVISED VIA FESTO PROJECT MANAGEMENT.

FESTO



**L538 Purchase Parts
List**

Steve Cartwright AME Tel: 0044 2476 205372 email: scartwr3@jaguarlandrover.com
Jaguar Cars Limited, Castle Bromwich Plant, Chester Road, Castle Bromwich. B35 7RA

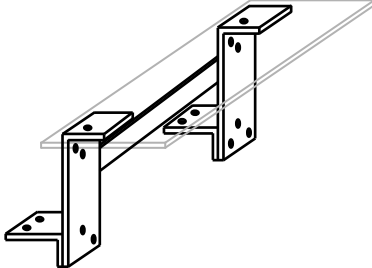




Doug Ikin Tel: 0044 151 448 4349 email: dikin1@jaguarlandrover.com

Ian Cowhig Tel: 0044 151 448 3826 email: icowhig@jaguarlandrover.com

Jaguar Cars Ltd, Speke Boulevard, Halewood, Merseyside, L24 9BJ

Festo Contacts:

Martin Brooks Tel: 0044 7976 745047 Fax: 01604 667001 email: martin_brooks@festo.com

	VALVE ISLAND SUPPORT BRACKET KIT c/w LABEL STRIP AND 24 VDC ELECTRICAL CONNECTOR	LRCAP1000
	ISO VALVE WITH CENTRAL M12 CONNECTOR	JMEBH/MEBH
	ISO VALVE BASE	NAS
	ISO VALVE MANIFOLD BLOCK	NAV
	ISO VALVE ENDPLATE KIT	NEV

ANY DEVIATION FROM THIS SPECIFICATION MUST BE APPROVED BY JLR/FESTO IN WRITING VIA OFFICIAL REQUEST FORM

PLEASE NOTE THAT THIS PPL GIVES AN INDICATION OF THE PRODUCT FAMILIES APPROVED FOR USE WITH JLR L538 PROJECT. SPECIFIC PART NUMBERS ETC CAN BE ADVISED VIA FESTO PROJECT MANAGEMENT.

FESTO



L538 Purchase Parts List

Steve Cartwright AME Tel: 0044 2476 205372 email: scartwr3@jaguarlandrover.com
 Jaguar Cars Limited, Castle Bromwich Plant, Chester Road, Castle Bromwich. B35 7RA

Doug Ikin Tel: 0044 151 448 4349 email: dikin1@jaguarlandrover.com
 Ian Cowhig Tel: 0044 151 448 3826 email: icowhig@jaguarlandrover.com
 Jaguar Cars Ltd, Speke Boulevard, Halewood, Merseyside, L24 9BJ

Festo Contacts:

Martin Brooks Tel: 0044 7976 745047 Fax: 01604 667001 email: martin_brooks@festo.com

	<p>VALVES FOR ROBOT GRIPPERS</p> <p>PLEASE CONSULT FESTO FOR APPLICATION ADVICE</p>	<p>JMVH/MVH</p>
	<p>VACUUM GENERATOR</p> <p>PLEASE CONSULT FESTO FOR APPLICATION ADVICE</p>	<p>VADMI-200-SA236534A #562224 FITTED WITH INTEGRAL VACUUM SWITCH (NORMALLY PASSING VACUUM) DOUBLE SOLENOID VALVE TO BE FITTED IN FRONT OF GENERATOR TO ALLOW AIR SAVING IN THE EVENT OF ELECTRICAL FAILURE</p>
	<p>VACUUM SUCTION CUPS</p>	<p>ESS</p> <p>USE 'VULKOLLAN' WHERE POSSIBLE</p>
	<p>PROPORTIONAL REGULATOR 0-10V</p>	<p>MPPE</p>

ANY DEVIATION FROM THIS SPECIFICATION MUST BE APPROVED BY JLR/FESTO IN WRITING VIA OFFICIAL REQUEST FORM

PLEASE NOTE THAT THIS PPL GIVES AN INDICATION OF THE PRODUCT FAMILIES APPROVED FOR USE WITH JLR L538 PROJECT. SPECIFIC PART NUMBERS ETC CAN BE ADVISED VIA FESTO PROJECT MANAGEMENT.

FESTO



L538 Purchase Parts List

Steve Cartwright AME Tel: 0044 2476 205372 email: scartwr3@jaguarlandrover.com
 Jaguar Cars Limited, Castle Bromwich Plant, Chester Road, Castle Bromwich. B35 7RA

Doug Ikin Tel: 0044 151 448 4349 email: dikin1@jaguarlandrover.com

Ian Cowhig Tel: 0044 151 448 3826 email: icowhig@jaguarlandrover.com

Jaguar Cars Ltd, Speke Boulevard, Halewood, Merseyside, L24 9BJ

Festo Contacts:

Martin Brooks Tel: 0044 7976 745047 Fax: 01604 667001 email: martin_brooks@festo.com

	<p>AIR PREPARATION EQUIPMENT</p>	<p>D SERIES</p> <p>MS12 SERIES</p>
	<p>VACUUM/PRESSURE GAUGE</p>	<p>VAM/MARG</p> <p>TO CONFORM TO FORD FPS VISUAL SYSTEM</p>
	<p>CYLINDER FLOW CONTROLS</p>	<p>GRLA- B</p>
	<p>NON-RETURN VALVE</p>	<p>H</p>

ANY DEVIATION FROM THIS SPECIFICATION MUST BE APPROVED BY JLR/FESTO IN WRITING VIA OFFICIAL REQUEST FORM

PLEASE NOTE THAT THIS PPL GIVES AN INDICATION OF THE PRODUCT FAMILIES APPROVED FOR USE WITH JLR L538 PROJECT. SPECIFIC PART NUMBERS ETC CAN BE ADVISED VIA FESTO PROJECT MANAGEMENT.

FESTO



**L538 Purchase Parts
List**

Steve Cartwright AME Tel: 0044 2476 205372 email: scartwr3@jaguarlandrover.com
Jaguar Cars Limited, Castle Bromwich Plant, Chester Road, Castle Bromwich. B35 7RA






Doug Ikin Tel: 0044 151 448 4349 email: dikin1@jaguarlandrover.com

Ian Cowhig Tel: 0044 151 448 3826 email: icowhig@jaguarlandrover.com

Jaguar Cars Ltd, Speke Boulevard, Halewood, Merseyside, L24 9BJ

Festo Contacts:

Martin Brooks Tel: 0044 7976 745047 Fax: 01604 667001 email: martin_brooks@festo.com

	PILOT CHECK VALVE	HGL ...-B
	QUICK EXHAUST VALVE	SE
	QUICK EXHAUST VALVE WITH INTEGRATED SILENCER	SEU
	SILENCER	U--B
	PRESSURE SWITCH with M12 CONNECTION FOR USE ON MAIN SERVICE/ZONE STANDS ONLY	SDE1-D16-G2-H18-L-P2-M12- SA235390A

ANY DEVIATION FROM THIS SPECIFICATION MUST BE APPROVED BY JLR/FESTO IN WRITING VIA OFFICIAL REQUEST FORM

PLEASE NOTE THAT THIS PPL GIVES AN INDICATION OF THE PRODUCT FAMILIES APPROVED FOR USE WITH JLR L538 PROJECT. SPECIFIC PART NUMBERS ETC CAN BE ADVISED VIA FESTO PROJECT MANAGEMENT.

FESTO



**L538 Purchase Parts
List**

Steve Cartwright AME Tel: 0044 2476 205372 email: scartwr3@jaguarlandrover.com
Jaguar Cars Limited, Castle Bromwich Plant, Chester Road, Castle Bromwich. B35 7RA





Doug Ikin Tel: 0044 151 448 4349 email: dikin1@jaguarlandrover.com

Ian Cowhig Tel: 0044 151 448 3826 email: icowhig@jaguarlandrover.com

Jaguar Cars Ltd, Speke Boulevard, Halewood, Merseyside, L24 9BJ

Festo Contacts:

Martin Brooks Tel: 0044 7976 745047 Fax: 01604 667001 email: martin_brooks@festo.com

	VACUUM SWITCH with M12 CONNECTION	VPEV
	TUBING & FITTINGS	TUBING PUN-V0...x...-BL-C 'SPARKEK' FITTINGS QS-F
	DIE DETECTION SENSOR	SOPA-CM1H-R1-HQ6-2P-M12 #552130
	AIR RECEIVER	VZS

ANY DEVIATION FROM THIS SPECIFICATION MUST BE APPROVED BY JLR/FESTO IN WRITING VIA OFFICIAL REQUEST FORM

PLEASE NOTE THAT THIS PPL GIVES AN INDICATION OF THE PRODUCT FAMILIES APPROVED FOR USE WITH JLR L538 PROJECT. SPECIFIC PART NUMBERS ETC CAN BE ADVISED VIA FESTO PROJECT MANAGEMENT.

FESTO



**L538 Purchase Parts
List**

Steve Cartwright AME Tel: 0044 2476 205372 email: scartwr3@jaguarlandrover.com
Jaguar Cars Limited, Castle Bromwich Plant, Chester Road, Castle Bromwich. B35 7RA

Doug Ikin Tel: 0044 151 448 4349 email: dikin1@jaguarlandrover.com

Ian Cowhig Tel: 0044 151 448 3826 email: icowhig@jaguarlandrover.com

Jaguar Cars Ltd, Speke Boulevard, Halewood, Merseyside, L24 9BJ

Festo Contacts:

Martin Brooks Tel: 0044 7976 745047 Fax: 01604 667001 email: martin_brooks@festo.com

CHANGE HISTORY

Date	Topic	Change	Remarks
11.11.09	Vacuum Cups	Added to PPL	
30.11.09	Air Filtration Panels	Removed from PPL	Fixture Supply to be as per L359 i.e. Zone Safety Panels.

ANY DEVIATION FROM THIS SPECIFICATION MUST BE APPROVED BY JLR/FESTO IN WRITING VIA OFFICIAL REQUEST FORM

PLEASE NOTE THAT THIS PPL GIVES AN INDICATION OF THE PRODUCT FAMILIES APPROVED FOR USE WITH JLR L538 PROJECT. SPECIFIC PART NUMBERS ETC CAN BE ADVISED VIA FESTO PROJECT MANAGEMENT.