

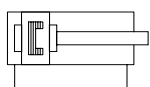
Compact cylinders ADVU-...-RR-SA

Ø 16, 20, 25, 32, 40, stroke 1 to 200 mm

Cleanroom class ISO 4 (FS209E class 10)

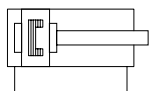
Double acting cylinder with flexible cushioning rings in the end positions and contact-less sensing. The cylinder come with internal piston rod thread.

ADVU-...-P-A-RR-SA



Double acting cylinder with flexible cushioning rings in the end positions and contact-less sensing. The cylinder come with external piston rod thread.

ADVU-...-A-P-A-RR-SA



Compact cylinders ADVU permit space saving of 50% in comparison with standard cylinder of similar power while offering the same force

As with all standard drives, the proximity sensor SME-8 can be used in the profile slot in the compact cylinder

Order example:

Order no: 15024226
Type: ADVU-25-80-P-A-RR-SA
Double acting cylinder, diameter 25 mm, stroke 80 mm with internal piston rod thread.

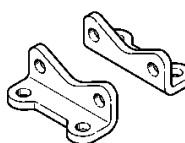
Accessories

Proximity sensor for fitting in 8 mm slot (Page 40) SME-8...

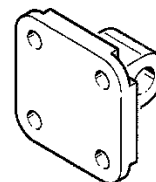


Mounting options

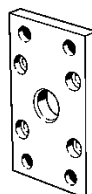
Foot mounting
Ø 16, 20, 25, 32, 40
HUA-...



Swivel flange
Ø 16, 20, 25, 32, 40
SUA-...



Flange mounting
Ø 16, 20, 25, 32, 40
FUA-...



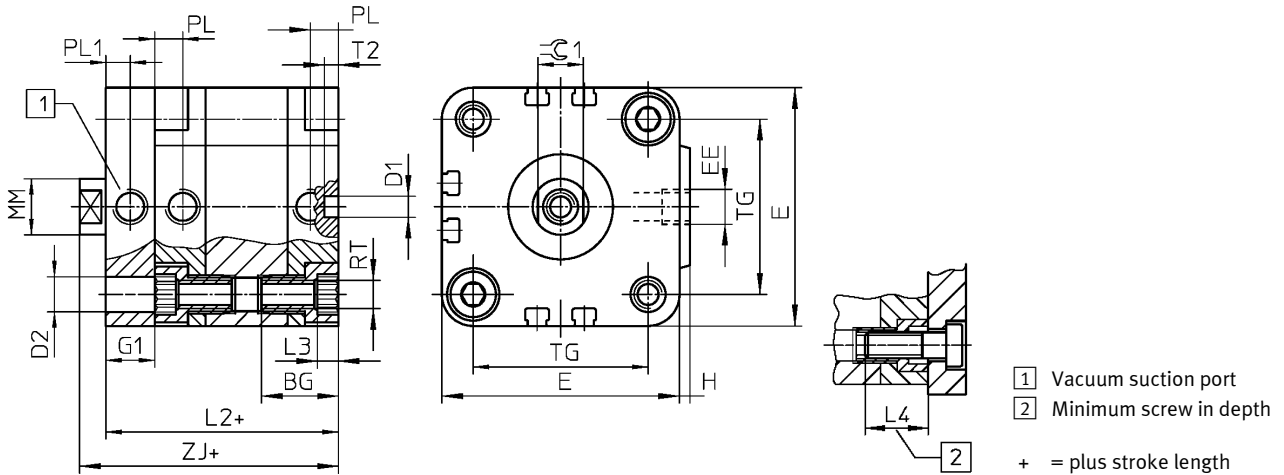
Technical data	
Medium	Compressed air, filtered (lubricated or unlubricated)
Max. operating pressure	10 bar
Temperature range	-20 ... +80 °C (note operating range of proximity sensor)
Materials	
Cylinder barrel and cover	Wrought aluminium alloy
Piston rod	High alloy stainless steel
Seals	Polyurethane

Type [Internal rod thread]	Part No.	Type [external rod thread]	Part No.	Piston Ø [mm]	Stroke [mm]	Thrust at 6 bar [N]	Return force [N]	Connection
ADVU-16-...-P-A-RR-SA	15024223	ADVU-16-...-A-P-A-RR-SA	15024230	16	1 ... 100	121	90	M5
ADVU-20-...-P-A-RR-SA	15024225	ADVU-20-...-A-P-A-RR-SA	15024231	20	1 ... 100	188	141	M5
ADVU-25-...-P-A-RR-SA	15024226	ADVU-25-...-A-P-A-RR-SA	15024233	25	1 ... 100	295	247	M5
ADVU-32-...-P-A-RR-SA	15024227	ADVU-32-...-A-P-A-RR-SA	15024234	32	1 ... 200	483	415	G1/8
ADVU-40-...-P-A-RR-SA	15024228	ADVU-40-...-A-P-A-RR-SA	15024235	40	1 ... 200	754	686	G1/8

Compact cylinders ADVU-...-RR-SA

Ø 16, 20, 25, 32, 40, stroke 1 to 200 mm

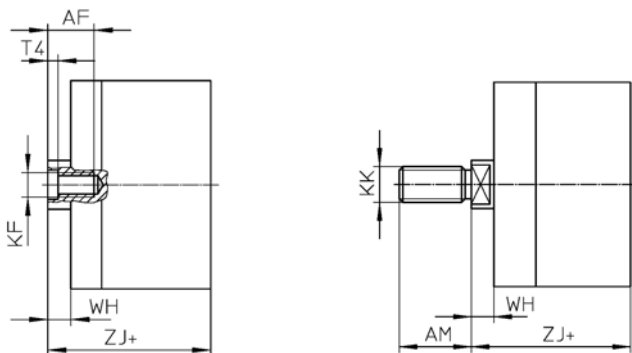
Cleanroom class ISO 4 (FS209E class 10)



Ø [mm]	BG	D1 Ø H9	D2 Ø	E	EE	G1	H	L2	L3	L4	MM Ø	PL	PL1	RT	T2 -0.2	TG	ZJ	⊖1 h13
16	18.5	6	6	29	M5	10	1	48	3	16	8	8	5	M4	4	18	52.5	7
20	18.5	6	7	36	M5	10	1.5	48	4	18	10	8	5	M5	4	22	52.5	9
25	18.5	6	7	40	M5	10	1.5	49.5	4	18	10	8	5	M5	4	26	55	9
32	21.5	6	8	50	G1/8	14	2	58.5	5	20	12	8	7	M6	4	32	64.5	10
40	21.5	6	8	60	G1/8	14	2.5	59.5	5	20	12	8	7	M6	4	42	66	10

ADVU-...-P-A-RR-SA version
with internal rod thread

ADVU-...-A-P-A-RR-SA version
with external rod thread



Ø [mm]	AF	AM	KF	KK	T4	WH	ZJ
16	10	20	M4	M8	1.5	4.5	52.5
20	12	22	M5	M10x1.25	2	4.5	52.5
25	12	22	M5	M10x1.25	2	5.5	55
32	14	22	M6	M10x1.25	2.6	6	64.5
40	14	22	M6	M10x1.25	2.6	6.5	66