

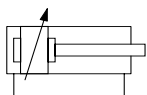
# Standard cylinders CDN-...-RR-SA

Ø 32, 40, 50, stroke 10 to 500 mm

## Cleanroom class ISO 4 (FS209E class 10)

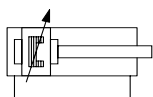
Cylinder with adjustable end cushioning, without sensor at the end

### CDN-...-PPV-RR-SA



Cylinder with adjustable end cushioning and sensor at the two ends

### CDN-...-PPV-A-RR-SA



#### Order example:

Order no: 15043418

Type: CDN-32-200-PPV-AIB-SME-RR-SA

Double acting cylinder, diameter 32 mm, stroke 200 mm with adjustable cushioning and sensor at the ends. Sensor cables are not included in the scope of delivery

Easy to clean, double-acting cylinders suitable for the most demanding of anti-corrosion and special design requirements.

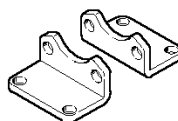
Proximity sensors for the end positions can be integrated in the housing.

- Dimensions and connection sizes as per ISO 6431, DIN ISO 6431, VDMA 24 562, NF E 49 003.1, and UNI 10 290
- Corrosion and acid resistant
- Adjustable end-position cushioning at both ends
- Contact-less end-position sensing with reed contact
- End-position sensing on both sides

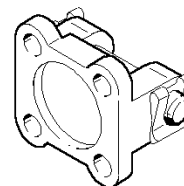


#### Mounting options

Foot mounting  
Ø 32, 40, 50  
CRHNC-...



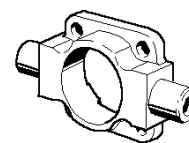
Swivel flange  
Ø 32, 40, 50  
SNCB-...



Flange mounting  
Ø 32, 40, 50  
CRFNG-...



Trunnion flange  
Ø 32, 40, 50  
CRZNG-...



#### Accessories

Straight connector cable  
SIM-K-GD-...-CDN-RR

Angled connector cable  
SIM-K-WD-...-CDN-RR



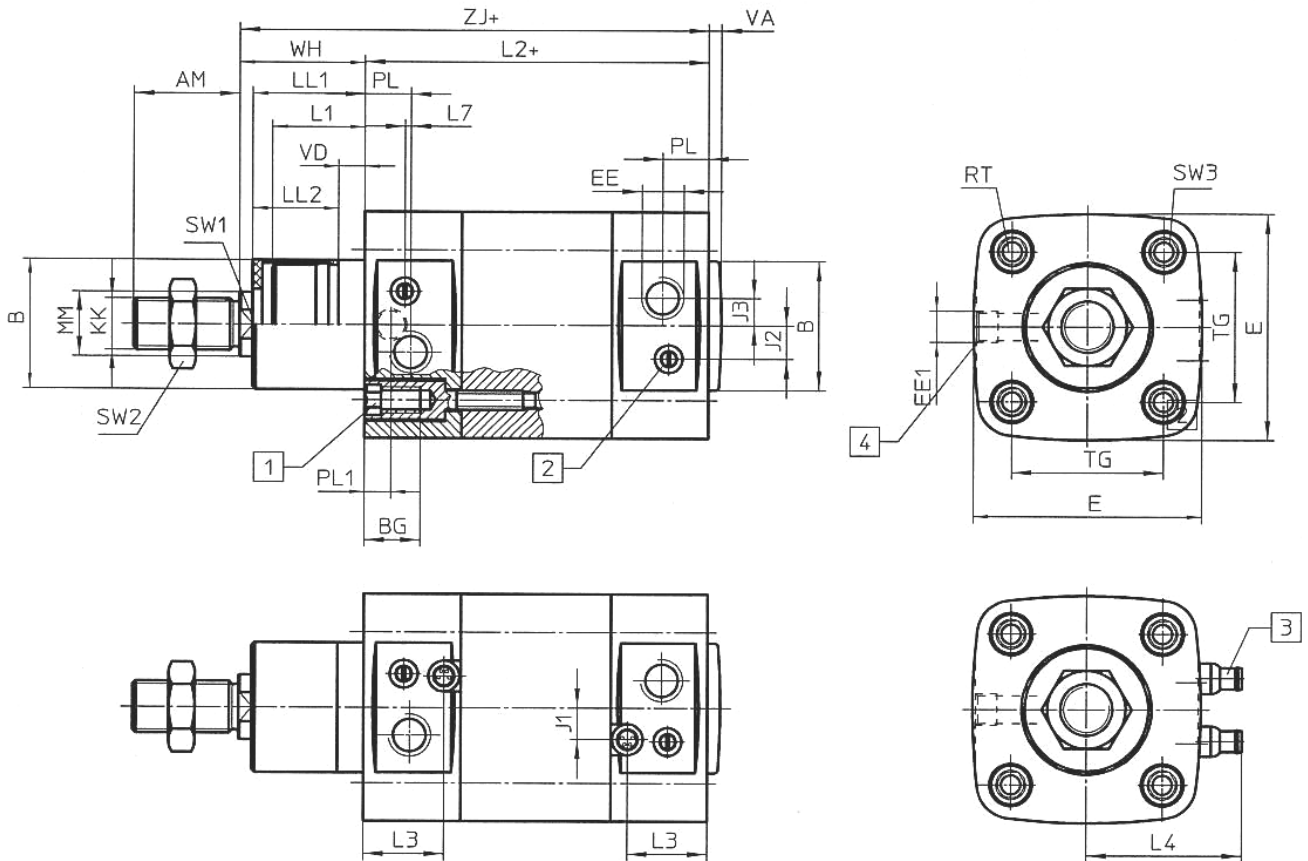
| M8 plug with cable [m] | Type | Part No.            |          |
|------------------------|------|---------------------|----------|
| Straight               | 2.5  | SIM-K-GD-2,5-CDN-RR | 15025008 |
|                        | 5    | SIM-K-GD-5-CDN-RR   | 15025009 |
| Angled                 | 2.5  | SIM-K-WD-2,5-CDN-RR | 15025010 |
|                        | 5    | SIM-K-WD-5-CDN-RR   | 15025011 |

| Type                 | Part No. | Type                         | Part No. | Piston Ø [mm] | Stroke [mm] | Thrust at 6 bar [N] | Return force [N] | Cushioning length [mm] | Connect ion |
|----------------------|----------|------------------------------|----------|---------------|-------------|---------------------|------------------|------------------------|-------------|
| [without magnet]     |          | [with magnet]                |          |               |             |                     |                  |                        |             |
| CDN-32-...-PPV-RR-SA | 15024278 | CDN-32-...-PPV-AIB-SME-RR-SA | 15043418 | 32            | 10 ...500   | 483                 | 415              | 20                     | G1/8        |
| CDN-40-...-PPV-RR-SA | 15024280 | CDN-40-...-PPV-AIB-SME-RR-SA | 15024285 | 40            | 10 ...500   | 754                 | 633              | 20                     | G1/4        |
| CDN-50-...-PPV-RR-SA | 15024281 | CDN-50-...-PPV-AIB-SME-RR-SA | 15024287 | 50            | 10 ...500   | 1178                | 990              | 22                     | G1/4        |

# Standard cylinders CDN-...-RR-SA

Ø 32, 40, 50, stroke 10 to 500 mm

Cleanroom class ISO 4 (FS209E class 10)



+ = plus stroke length

- 1 Socket head screws with female threads for mounting attachments
- 2 Regulating screw for adjustable end-position cushioning
- 3 Miniature plug connector, 3-pin, for integrated proximity sensors SME/SMT; suitable for plug socket with cable SIM-K-...-CDN
- 4 Vacuum suction port

| Ø<br>[mm] | AM | B<br>Ø d11 | BG | E  | EE   | EE1  | J1  | J2   | J3  | KK         | L1   | L2         | LL1  | LL2 |
|-----------|----|------------|----|----|------|------|-----|------|-----|------------|------|------------|------|-----|
| 32        | 22 | 30         | 16 | 50 | G1/8 | G1/8 | 6.2 | 6.3  | 5.3 | M10 x 1.25 | 18.5 | 94 ±0.4    | 22   | 18  |
| 40        | 24 | 35         | 16 | 58 | G1/4 | G1/8 | 9.9 | 8    | 6   | M12 x 1.25 | 21   | 104.8 ±0.4 | 26.5 | 20  |
| 50        | 32 | 40         | 17 | 70 | G1/4 | G1/8 | 9.7 | 10.4 | 8.5 | M16 x 1.50 | 27   | 105.9 ±0.5 | 34   | 26  |

| Ø<br>[mm] | L3   | L4 | L7  | MM<br>Ø f8 | PL   | PL1 | RT | TG   | VA | VD  | WH        | ZJ    | SW1 | SW2 | SW3 |
|-----------|------|----|-----|------------|------|-----|----|------|----|-----|-----------|-------|-----|-----|-----|
| 32        | 19.8 | 38 | 4.1 | 12         | 13.8 | 8   | M6 | 32.5 | 4  | 4   | 26.7 ±1   | 120.7 | 10  | 17  | 6   |
| 40        | 24.3 | 42 | 1.9 | 16         | 15.5 | 8   | M6 | 38   | 4  | 6.5 | 30.8 ±1   | 135.6 | 13  | 19  | 6   |
| 50        | 24.3 | 47 | 1.9 | 20         | 14   | 8   | M8 | 46.5 | 4  | 8   | 38.1 ±1.2 | 144   | 17  | 24  | 8   |