

Fast switching valve MHE2-...-RR

3/2 way solenoid valve

Cleanroom class ISO 4 (FS209E class 10)

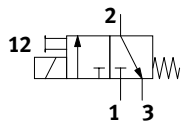
Individual valve, normal switching
at 7 ms respond time

MHE2-M1H-...-RR

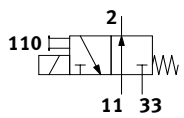
Individual valve, fast switching
at 2 ms respond time

MHE2-MS1H-...-RR

3/2G: Normally close



3/2O: Normally open



Remark:

MHE2-...-RR: Socket version

MHE2-...-K-RR: Cable version

The new generation of 24 V DC valves really merits the name fast switching; switching times up to 2 ms allows extremely short cycle times creating productivity reserves. Used in sorting via air jets, in flap control system, boding, dosing and high speed packaging.

- Directly actuated poppet design valves
- Rapid response times down to 2 ms
- Standard nominal flow rate
- 100 ... 400 l/min
- Compact design
- Free of copper, PTFE and silicone



Type	Part No.
Response time 2 ms	
MHE2-MS1H-3/2G-M7-RR	15084728
MHE2-MS1H-3/2G-M7-K-RR	15084729
MHE2-MS1H-3/2O-M7-RR	15084730
MHE2-MS1H-3/2O-M7-K-RR	15084731
Response time 7 ms	
MHE2-M1H-3/2G-M7-RR	15084732
MHE2-M1H-3/2G-M7-K-RR	15084733
MHE2-M1H-3/2O-M7-RR	15084744
MHE2-M1H-3/2O-M7-K-RR	15084745



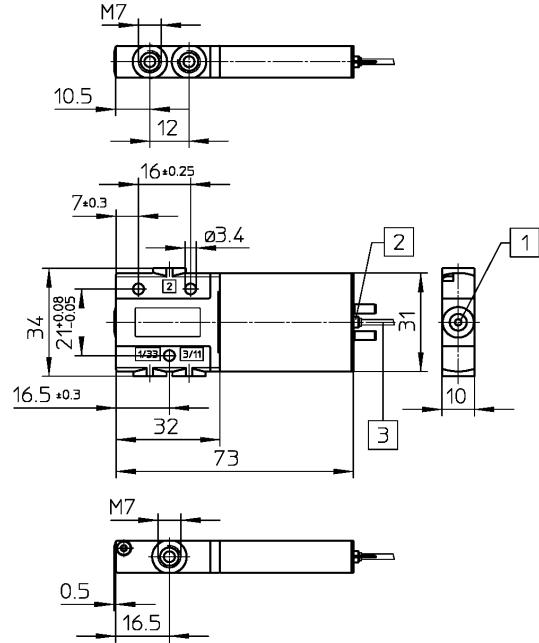
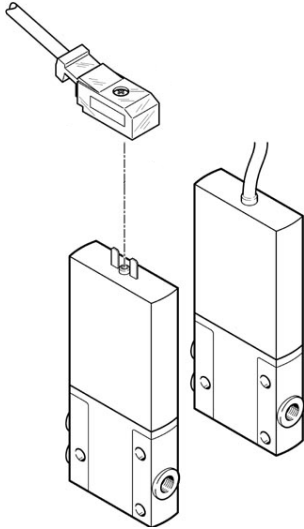
Type	Part No.
Plug socket PUN cable with LED (IP 65)	
KMYZ-3-24-2,5-LED-PUR-B-RR	2.5 m 15084746
KMYZ-3-24-5-LED-PUR-B-RR	5.0 m 15084747
KMYZ-3-24-10-LED-PUR-B-RR	10 m 15084748

Technical data	
Valve function	3/2-way, single solenoid
Design	Poppet valve
Sealing principle	Soft
Actuation type	Electrical
Type of control	Direct
Direction of flow	Non-reversible
Exhaust function	Flow control
Manual override	Resetting
Assembly position	Any
Grid dimension [mm]	14
Nominal diameter [mm]	2
Standard nominal flow rate [l/min]	100
Type of mounting	Via through-holes
Pneumatic connection	Connecting thread M7
Product weight [g]	50
Operating medium	Filtered compressed air, lubricated or unlubricated, grade of filtration 40 μ Vacuum grade of filtration 40 μ
Operating pressure range [bar]	- 0.9 ... +8
Ambient temperature [°C]	-5... +40 (100% duty cycle)
Temperature of medium [°C]	-5... +40 (100% duty cycle)

Fast switching valve MHE2-...-RR

3/2 way solenoid valve

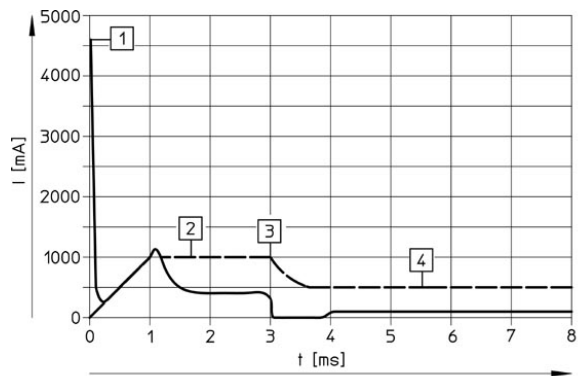
Cleanroom class ISO 4 (FS209E class 10)



- 1 Manual override, resetting
- 2 Plug vanes for plug socket with cable KMYZ-3-...
- 3 Cable 2.5 m

Electrical data		
Operating voltage	[V DC]	24 ± 10%
Connection type		Plug vanes or molded-in cable (2.5 m)
Power consumption		
With fast-switching electronics	[W]	5 for 3 ms approx. (pull 1 A), then 2.88 W
Without fast-switching electronics	[W]	2.88

Current curve



- Current in the coil
- Current in the supply line
- 1 Capacitor charging
- 2 Controlled coil current 1 A
- 3 Drop to holding current
- 4 Controlled holding current 0.5 A

Response times and switching frequencies		
With fast-switching electronics		
Response time on/off	[ms]	2 ± 10%
Switching frequency	[Hz]	150
Without fast-switching electronics		
Response time on/off	[ms]	7 ± 10%
Switching frequency	[Hz]	50