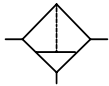


# Filter for D-Micro series LF-...-D-M5-MICRO-RR

Flowrate: 170...290 l/min

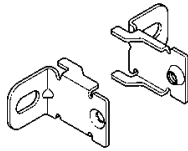
**Cleanroom class ISO 4 (FS209E class 10)**

Filter 5.0 µm with manual condensate drain  
**LF-...-D-5M-MICRO-RR**

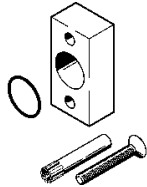


- Sintered filter with condensate separator
- Vertical mounting position, ±5°
- Good particle and condensate separation
- High flow rate with minimal pressure drop
- 5 µm filter cartridges

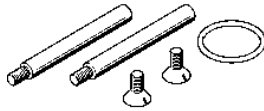
**Accessories**  
 Mounting bracket  
 HFOE-D-MICRO



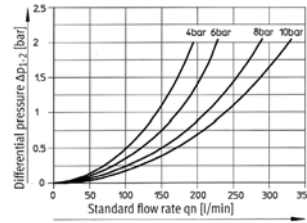
Connecting plate kit  
 PBL-1/8-D-MICRO



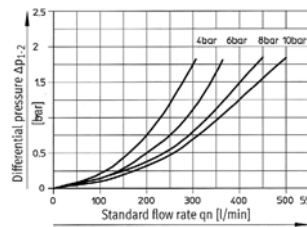
Threaded pin set  
 FRB-D-MICRO



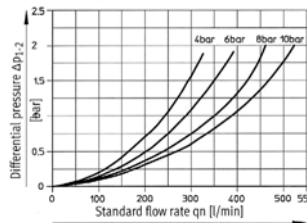
LF-M5-D-M5-MICRO-RR



LF-M7-D-M5-MICRO-RR



LF-1/8-D-M5-MICRO-RR



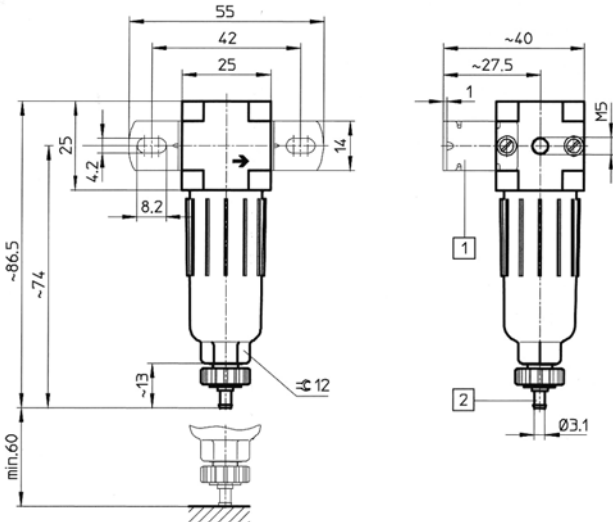
Type	Part No.	Connection	Std nominal flowrate at 7 bar [l/min]	Weight [kg]	Input pressure [bar]	Temperature range [°C]	Condensate volume [ml]
[5.0 µm]							
LF-M5-D-5M-MICRO-RR	15059897	M5 (Thread screw in housing)	170	0.044	0...10	-10...+60	3
LF-M7-D-5M-MICRO-RR	15059898	M7 (Thread in connection plate)	280	0.064			
LF-1/8-D-5M-MICRO-RR	15059899	G1/8 (Thread in connection plate)	290	0.064			

# Filter for D-Micro series LF-...-D-M5-MICRO-RR

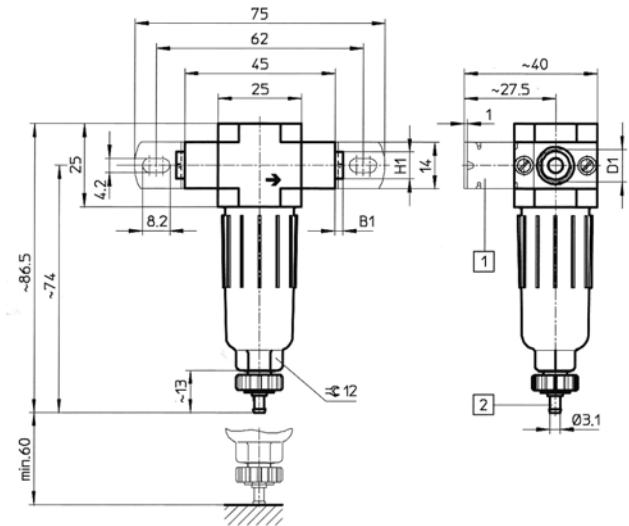
Flowrate: 170...290 l/min

Cleanroom class ISO 4 (FS209E class 10)

LF-M5-D-M5-MICRO-RR



LF-M7-D-M5-MICRO-RR  
LF-1/8-D-M5-MICRO-RR



- 1 Retainer set HFOE-D-MICRO  
(not included in scope of delivery)
- 2 Barbed fitting for plastic tubing of I.D. 3 mm

Type	B1	D1	H1
LF-M7-D-5M-MICRO-RR	-	M7	-
LF-1/8-D-5M-MICRO-RR	-	G1/8	-