

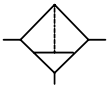
# Microfilter LFMA-...-RR and LFMB-...-RR

Flowrate: 130...1250 l/min

Cleanroom class ISO 4 (FS209E class 10)

Micro filter 0.01 µm with manual condensate drain  
**LFMA-...-D-...-RR**

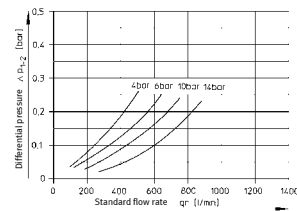
Micro filter 1 µm with manual condensate drain  
**LFMB-...-D-...-RR**



- High efficiency filter for special requirements
- Optional filter cartridges 1 µm or 0.01 µm
- Air quality to ISO 8573-1
- Available as pre-assembled filter combination
- Optional manual condensate drain, or integrated, automatic condensate drain Sate
- Operating pressure; 1...16 bar
- Temperature range; -10...+60°C
- Mounting position; Vertical ±5°
- Filter housing of die-cast zinc or aluminium

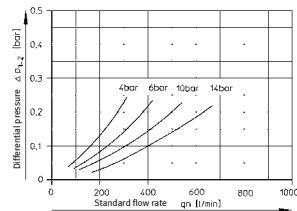
Characteristic curve for flow rate

LFMB-1/4-D-MINI

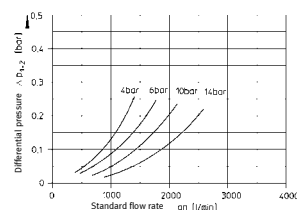


Characteristic curve for flow rate

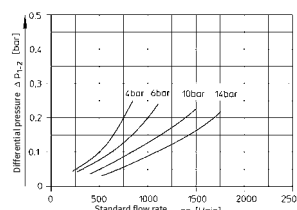
LFMA-1/4-D-MINI



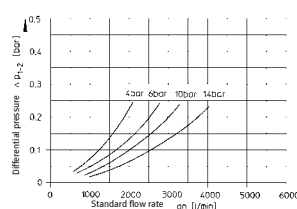
LFMB-1/2-D-MIDI



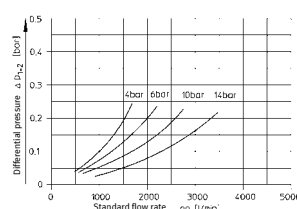
LFMA-1/2-D-MIDI



LFMB-1-D-MAXI



LFMA-1-D-MAXI



**LFMA:**  
ISO class 1: for particles  
ISO class 2: for oil aerosols  
Residual oil content 0.01 mg/m<sup>3</sup>  
Filter efficiency 99.9999 %

**LFMB:**  
ISO class 2: for particles  
ISO class 3: for oil aerosols  
Residual oil content 0.5 mg/m<sup>3</sup>  
Filter efficiency 99.99 %

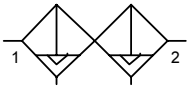
Type [0.01 µm]	Part No.	Conne- ction	Std nominal flowrate [l/min]	Type [1 µm]	Part No.	Conne- ction	Std nominal flowrate [l/min]	Condensate volume [ml]	Weight [kg]
LFMA-1/8-D-MINI-RR	15024732	G1/8	130	LFMB-1/8-D-MINI-RR	15024743	G1/8	250	22	0.250
LFMA-1/4-D-MINI-RR	15024733	G1/4	160	LFMB-1/4-D-MINI-RR	15024744	G1/4	300		
LFMA-3/8-D-MINI-RR	15024734	G3/8	180	LFMB-3/8-D-MINI-RR	15024748	G3/8	310		
LFMA-1/4-D-MIDI-RR	15024735	G1/4	350	LFMB-1/4-D-MIDI-RR	15024749	G1/4	500	43	0.650
LFMA-3/8-D-MIDI-RR	15024736	G3/8	380	LFMB-3/8-D-MIDI-RR	15024750	G3/8	700		
LFMA-1/2-D-MIDI-RR	15024737	G1/2	400	LFMB-1/2-D-MIDI-RR	15024752	G1/2	900		
LFMA-3/4-D-MIDI-RR	15024739	G3/4	460	LFMB-3/4-D-MIDI-RR	15024754	G3/4	1000	80	1.2
LFMA-1/2-D-MAXI-RR	15024740	G1/2	750	LFMB-1/2-D-MAXI-RR	15024755	G1/2	1150		
LFMA-3/4-D-MAXI-RR	15024741	G3/4	900	LFMB-3/4-D-MAXI-RR	15024756	G3/4	1200		
LFMA-1-D-MAXI-RR	15024742	G1	950	LFMB-1-D-MAXI-RR	15024757	G1	1250		

# Microfilter LFMBA-...-RR

Flowrate: 125...600 l/min

Cleanroom class ISO 4 (FS209E class 10)

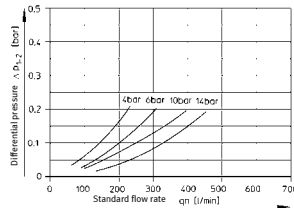
Micro filter 1 µm followed by 0.01 µm with manual condensate drain  
**LFMBA-...-D-...-RR**



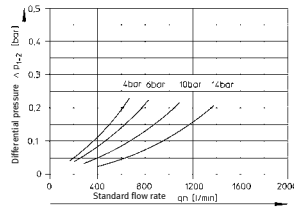
- Available as pre-assembled filter combination
- Available with manual condensate drain, or integrated, automatic condensate drain
- High efficiency filter for special requirements
- Optional filter cartridges with 1 and 0.01 µm
- Air quality to ISO 8573-1
- ISO class 1: for particles
- ISO class 2: for oil aerosols
- Filter efficiency 99.9999%
- Residual oil content 0.01 mg/m<sup>3</sup>
- Operating pressure: 1 to 16 bar
- Temperature range: -10 to +60°C
- Mounting position; Vertical ±5°
- Filter housing of die-cast zinc or aluminium

Characteristic curve for flow rate

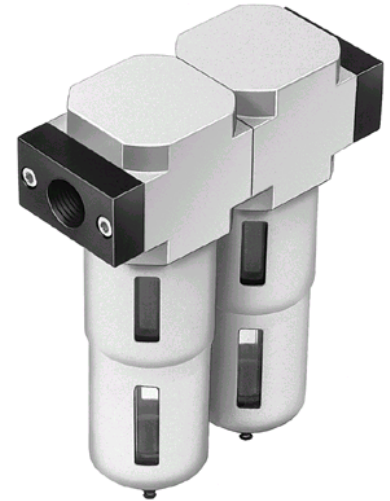
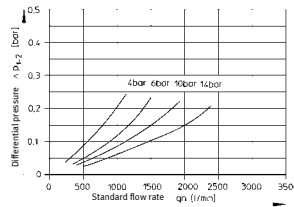
LFMBA-1/4-D-MINI



LFMBA-1/2-D-MIDI

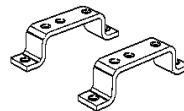


LFMBA-1-D-MAXI



### Accessories

- Mounting bracket
- HFOE-D-MINI
- HFOE-D-MIDI/MAXI

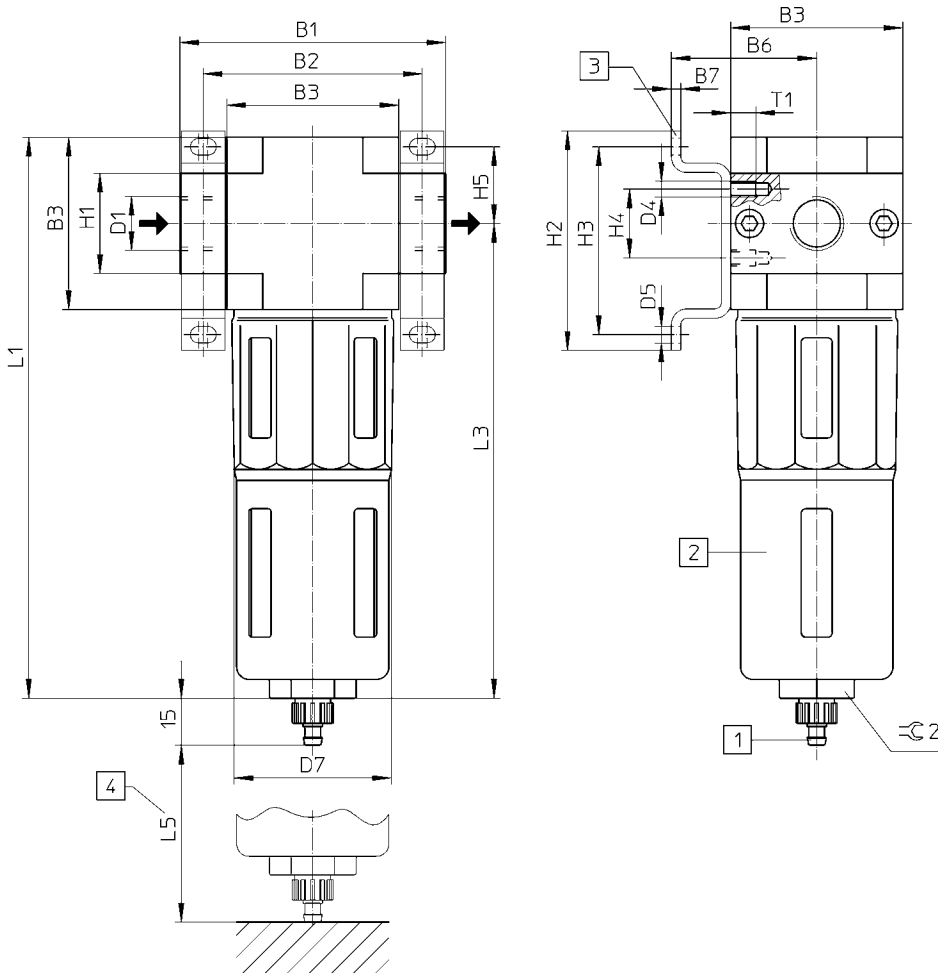


Type [1 µm followed by 0.01 µm]	Part No.	Connection	Std nominal flowrate [l/min]	Condensate volume [ml]	Weight [kg]
LFMBA-1/8-D-MINI-RR	15024758	G1/8	125	22	0.5
LFMBA-1/4-D-MINI-RR	15024762	G1/4	130		
LFMBA-3/8-D-MINI-RR	15024763	G3/8	140		
LFMBA-1/4-D-MIDI-RR	15024764	G1/4	300	43	1.3
LFMBA-3/8-D-MIDI-RR	15024765	G3/8	350		
LFMBA-1/2-D-MIDI-RR	15024766	G1/2	350		
LFMBA-3/4-D-MIDI-RR	15024767	G3/4	350	80	2.4
LFMBA-1/2-D-MAXI-RR	15024769	G1/2	550		
LFMBA-3/4-D-MAXI-RR	15024770	G3/4	550		
LFMBA-1-D-MAXI-RR	15024772	G1	600		

# Microfilter LFMA-...-RR and LFMB-...-RR

Grade of filtration: 0.01 µm or 1 µm

Cleanroom class ISO 4 (FS209E class 10)



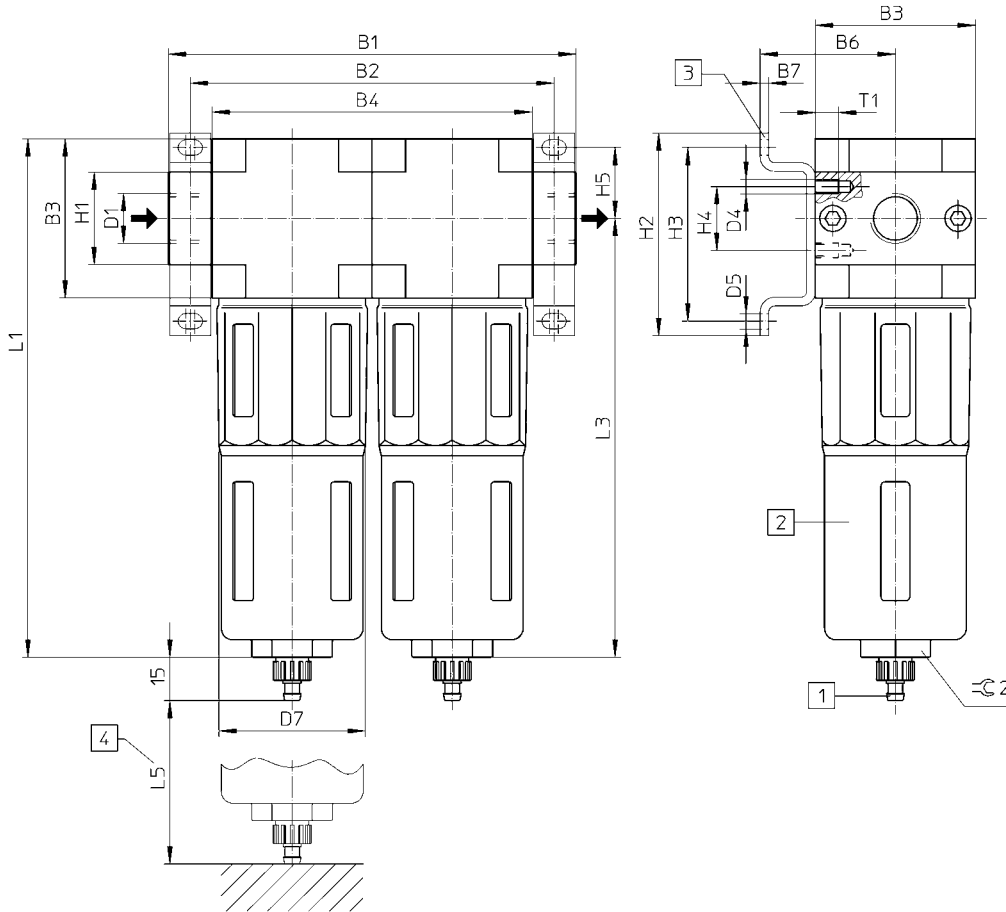
- 1 Barbed fittings for plastic tubing (order code 7134 PCN-4)
- 2 Metal bowl guard
- 3 Mounting bracket HFOE (not included in scope of delivery)
- 4 Installation dimensions

Type	B1	B2	B3	B6	B7	D1	D4	D5	D7	H1	H2	H3	H4	H5	L1	L3	L5	T1	≅2
LFMA/B-1/8-D-MINI-RR	64	52	40	39	2	G1/8	M4	4.3	38	20	43	35	11	17.5	144	124	60	7	22
LFMA/B-1/4-D-MINI-RR	64	52	40	39	2	G1/4	M4	4.3	38	20	43	35	11	17.5	144	124	60	7	22
LFMA/B-3/8-D-MINI-RR	70	52	40	39	2	G3/8	M4	4.3	38	20	43	35	11	17.5	144	124	60	7	22
LFMA/B-1/4-D-MIDI-RR	85	70	55	47	3	G1/4	M5	5.3	52	32	70	60	22	24.5	179	151	80	8	24
LFMA/B-3/8-D-MIDI-RR	85	70	55	47	3	G3/8	M5	5.3	52	32	70	60	22	24.5	179	151	80	8	24
LFMA/B-1/2-D-MIDI-RR	85	70	55	47	3	G1/2	M5	5.3	52	32	70	60	22	24.5	179	151	80	8	24
LFMA/B-3/4-D-MIDI-RR	85	70	55	47	3	G3/4	M5	5.3	52	32	70	60	22	24.5	179	151	80	8	24
LFMA/B-1/2-D-MAXI-RR	96	80	66	53	3	G1/2	M5	5.3	65	32	70	60	22	24.5	203	170	90	8	24
LFMA/B-3/4-D-MAXI-RR	96	80	66	53	3	G3/4	M5	5.3	65	32	70	60	22	24.5	203	170	90	8	24
LFMA/B-1-D-MAXI-RR	116	91	66	53	3	G1	M5	5.3	65	40	70	60	22	24.5	203	170	90	8	24

# Microfilter LFMBA-...-RR

Grade of filtration: 0.01 µm and 1 µm

Cleanroom class ISO 4 (FS209E class 10)



- 1 Barbed fittings for plastic tubing (order code 7134 PCN-4)
- 2 Metal bowl guard
- 3 Mounting bracket HFOE (not included in scope of delivery)
- 4 Installation dimensions

Type	B1	B2	B3	B4	B6	B7	D1	D4	D5	D7	H1	H2	H3	H4	H5	L1	L3	L5	T1	∅2
LFMBA-1/8-D-MINI-RR	104	92	40	80	39	2	G1/8	M4	4,3	38	20	43	35	11	17.5	144	124	60	7	22
LFMBA-1/4-D-MINI-RR	104	92	40	80	39	2	G1/4	M4	4.3	38	20	43	35	11	17.5	144	124	60	7	22
LFMBA-3/8-D-MINI-RR	110	92	40	80	39	2	G3/8	M4	4.3	38	20	43	35	11	17.5	144	124	60	7	22
LFMBA-1/4-D-MIDI-RR	140	125	55	110	47	3	G1/4	M5	5.3	52	32	70	60	22	24.5	179	151	80	8	24
LFMBA-3/8-D-MIDI-RR	140	125	55	110	47	3	G3/8	M5	5.3	52	32	70	60	22	24.5	179	151	80	8	24
LFMBA-1/2-D-MIDI-RR	140	125	55	110	47	3	G1/2	M5	5.3	52	32	70	60	22	24.5	179	151	80	8	24
LFMBA-3/4-D-MIDI-RR	140	125	55	110	47	3	G3/4	M5	5.3	52	32	70	60	22	24.5	179	151	80	8	24
LFMBA-1/2D-MAXI-RR	162	146	66	132	53	3	G1/2	M5	5.3	65	32	70	60	22	24.5	203	170	90	8	24
LFMBA-3/4D-MAXI-RR	162	146	66	132	53	3	G3/4	M5	5.3	65	32	70	60	22	24.5	203	170	90	8	24
LFMBA-1-D-MAXI-RR	182	157	66	132	53	3	G1	M5	5.3	65	40	70	60	22	24.5	203	170	90	8	24