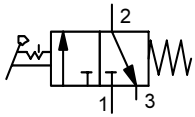


Manual on/off valves HE-...-RR

Flowrate: 1000...6500 l/min

Cleanroom class ISO 4 (FS209E class 10)

Manual on/off valve with threaded connection plate
HE-...-D-...-RR

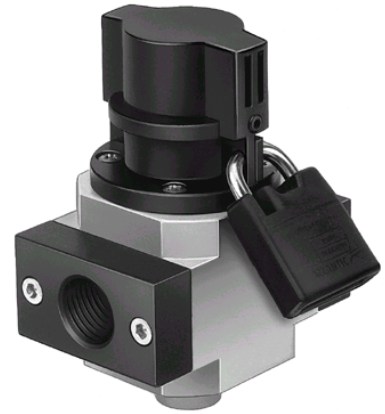
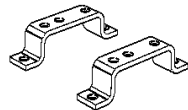


- 3/2-way manual non-return valve
- The system is exhausted when the valve is switched off.
- Ducted exhaust air is possible via a threaded connection.
- The switching position is immediately discernable.
- Standard padlock as shut off protection

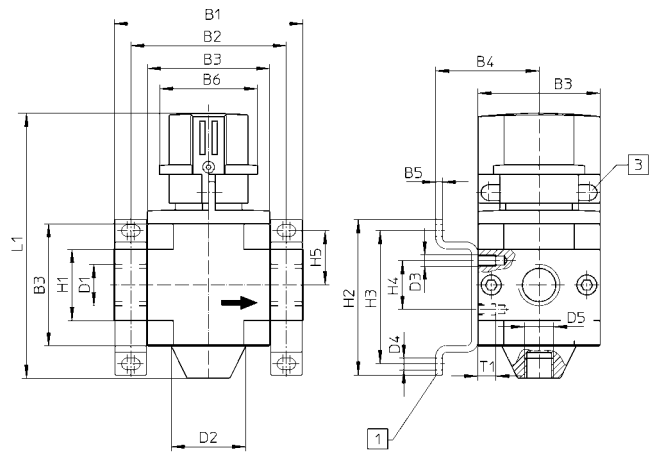
- The valve can be combined with service units of series D
- Input pressure; 0...16 bar
- Temperature range; -10...+60 °C
- Material; Die-cast zinc / aluminium

Accessories

- Mounting bracket HFOE-D-MINI
- HFOE-D-MIDI/MAXI



Type	Part No.	Con- nection	Std nominal flowrate [l/min]	Weight [kg]
HE-1/8-MINI-RR	15024804	G1/8	1000	0.192
HE-1/4-MINI-RR	15024805	G1/4	1500	
HE-3/8-MINI-RR	15024807	G3/8	1600	
HE-1/4-MIDI-RR	15024808	G1/4	2600	0.511
HE-3/8-MIDI-RR	15024810	G3/8	3200	
HE-1/2-MIDI-RR	15024811	G1/2	3600	
HE-3/4-MIDI-RR	15024814	G3/4	3800	0.796
HE-1/2-MAXI-RR	15024815	G1/2	5600	
HE-3/4-MAXI-RR	15024816	G3/4	6000	
HE-1-MAXI-RR	15024819	G1	6500	



1 Mounting bracket HFOE-D-... (not included in scope of delivery)

3 Hole for pad lock

Type	B1	B2	B3	B4	B5	B6	D1	D2	D3	D4	D5	H1	H2	H3	H4	H5	L1	L2	T1
HE-...-D-MINI-RR	64	52	40	39	2	32	G1/8	24	M4	4.3	G1/8	20	43	35	11	17.5	98	128	7
							G1/4												
							G3/8												
HE-...-D-MIDI-RR	85	70	55	47	3	44	G1/4	34	M5	5.3	G1/4	32	70	60	22	24.5	119	169	8
							G3/8												
							G1/2												
							G3/4												
HE-...-D-MAXI-RR	96	80	66	53	3	44	G1/2	38	M5	5.3	G3/8	32	70	60	22	24.5	132	203	8
							G3/4												
							G1												
	116	91										40							