

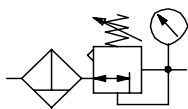
# Filter regulator for D-Micro series LFR-...-D-5M-MICRO-RR-SA

Flowrate: 110...280 l/min

Cleanroom class ISO 45(FS209E class 100)

Filter regulator with manual condensate drain with 5 µm filter cartridges and gauge

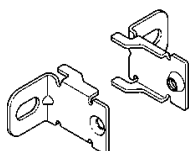
**LFR-...-D-5M-MICRO-RR-SA**



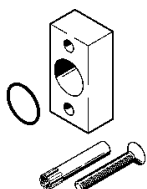
- Pressure range: 7 bar
- Two pressure gauge connections for flexible installation
- 5 µm filter cartridges
- Available with manual condensate drain
- Space saving design with filter and regulator in a single unit
- Good particle separation and high flow rate
- Good regulating characteristics with minimal hysteresis
- Setting values are secured by locking the rotary knob

## Accessories

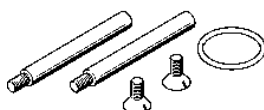
Mounting bracket  
HFOE-D-MICRO



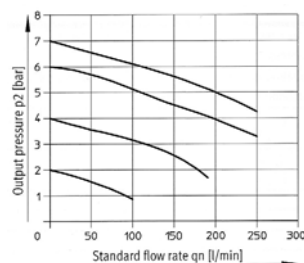
Connecting plate kit  
PBL-1/8-D-MICRO



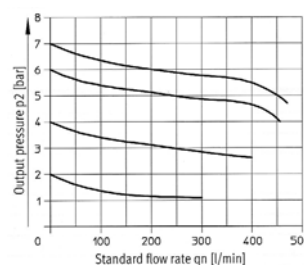
Threaded pin set  
FRB-D-MICRO



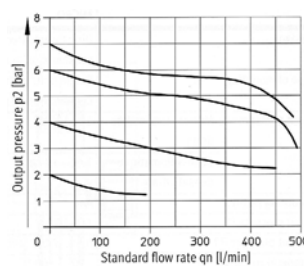
LFR-M5-D-7-5M-MICRO-RR-SA



LFR-M7-D-7-5M-MICRO-RR-SA



LFR-1/8-D-7-5M-MICRO-RR-SA



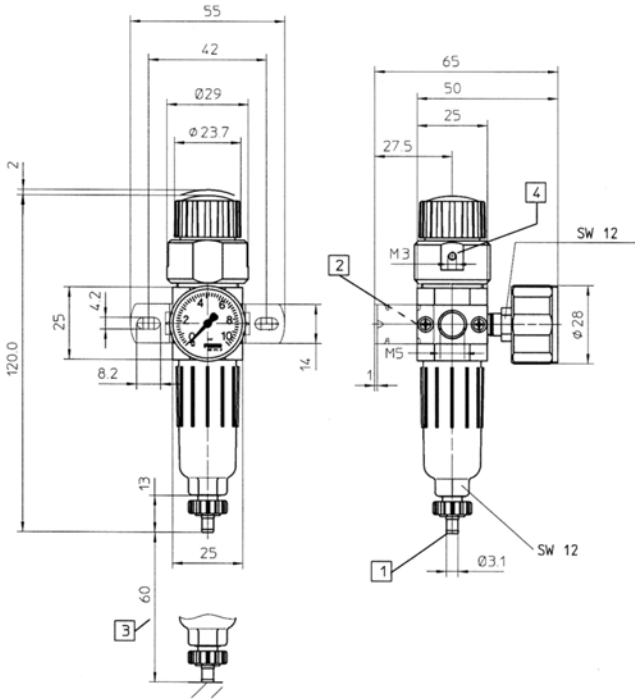
Type	Part No.	Connection	Std nominal flow rate at 7 bar [l/min]	Weight [kg]	Input pressure [bar]	Output pressure [bar]	Temperature range [°C]	Condensate volume [ml]
[5.0 µm]								
LFR-M5-D-5M-MICRO-RR-SA	15059901	M5 (Thread screw in housing)	110	0.08	1...10	0.5...7	-10...+60	3
LFR-M7-D-5M-MICRO-RR-SA	15059904	M7 (Thread in connection plate)	280	0.09				
LFR-1/8-D-5M-MICRO-RR-SA	15059905	G1/8 (Thread in connection plate)	250	0.09				

# Filter regulator for D-Micro series LFR-...-D-5M-MICRO-RR-SA

Flowrate: 110...280 l/min

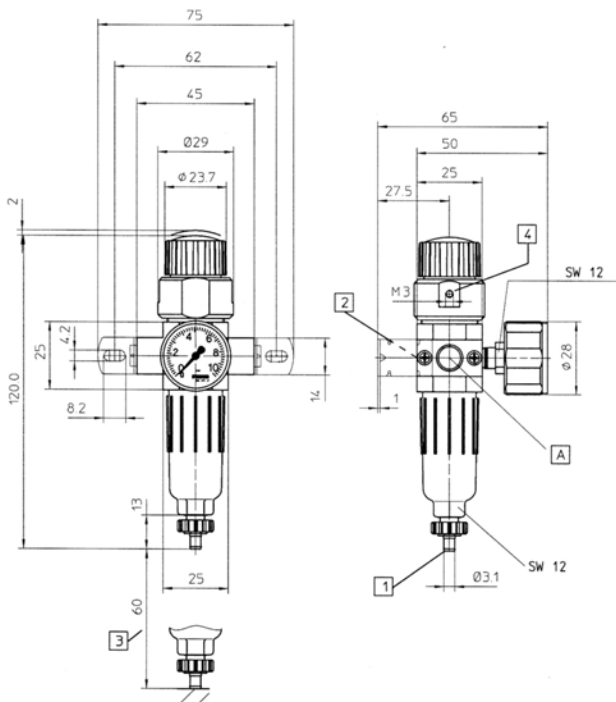
Cleanroom class ISO 5 (FS209E class 100)

LFR-M5-D-M5-MICRO-RR



- 1 Barbed fitting for plastic tubing
- 2 Second pressure gauge connection
- 3 Installation dimension above ground level
- 4 Vacuum suction port M5

LFR-M7-D-M5-MICRO-RR  
LFR-1/8-D-M5-MICRO-RR



- 1 Barbed fitting for plastic tubing
- 2 Second pressure gauge connection
- 3 Installation dimension above ground level
- 4 Vacuum suction port M5

Type	A
LR-M7-D-5M-MICRO-RR	M7
LR-1/8-D-5M-MICRO-RR	G1/8

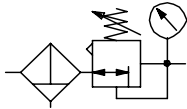
# Filter regulator LFR-...-RR-SA

Flowrate: 750...10000 l/min

## Cleanroom class ISO 5 (FS209E class 100)

Filter regulator with manual condensate drain with 40 µm filter cartridges and gauge

### LFR-...-D-...-RR-SA



Filter regulator with manual condensate drain with 5 µm filter cartridges but without gauge

### LFR-...-D-O-...-RR-SA

Filter regulator with manual condensate drain with 5 µm filter cartridges and gauge

### LFR-...-D-5M-...-RR-SA

- Two pressure gauge connections for flexible installation
- Sintered filter with water separator
- Usual 40 µm filter cartridges. Optional with 5 µm filter cartridges
- Space-saving design with filter and regulator in a single unit
- Good particle separation and high flow rate
- Good regulating characteristics with minimal hysteresis
- Setting values are secured by rotary knob.
- Input pressure; 1...16 bar
- Operating pressure; 0.5 ...12 bar

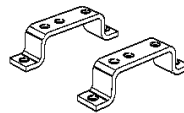
- Temperature range; -10...+60 °C
- Mounting; Vertical ±5°

MINI and MIDI sizes  
Directly actuated diaphragm regulator valve

MAXI size  
Pilot-actuated piston regulating valve

#### Accessories

- Mounting bracket
- HFOE-D-MINI
- HFOE-D-MIDI/MAXI

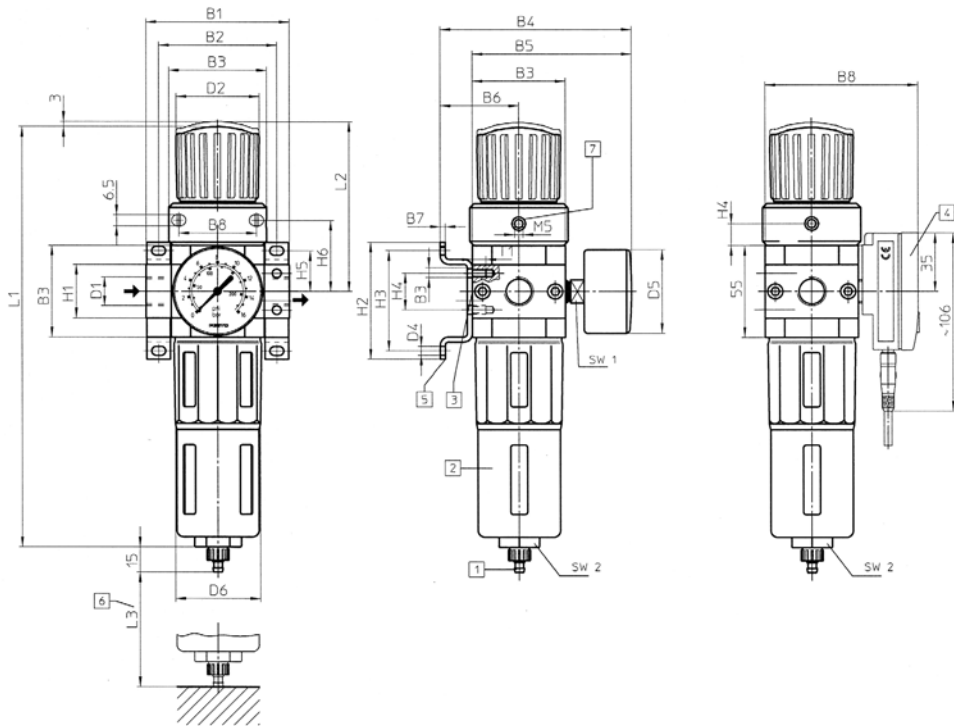


Type	Part No.	Type	Part No.	Connec- tion	Std nominal flowrate [l/min]	Condensate volume [ml]	Weight [kg]
LFR-1/8-D-MINI-RR-SA	15024394	LFR-1/8-D-O-MINI-RR-SA	15024425	G1/8	750	22	0.460
LFR-1/4-D-MINI-RR-SA	15024396	LFR-1/4-D-O-MINI-RR-SA	15024426	G1/4	1400		
LFR-3/8-D-MINI-RR-SA	15024397	LFR-3/8-D-O-MINI-RR-SA	15024428	G3/8	1600		
LFR-1/4-D-MIDI-RR-SA	15024398	LFR-1/4-D-O-MIDI-RR-SA	15024429	G1/4	2000	43	0.920
LFR-3/8-D-MIDI-RR-SA	15024399	LFR-3/8-D-O-MIDI-RR-SA	15024430	G3/8	3100		
LFR-1/2-D-MIDI-RR-SA	15024401	LFR-1/2-D-O-MIDI-RR-SA	15024431	G1/2	3400		
LFR-3/4-D-MIDI-RR-SA	15024402	LFR-3/4-D-O-MIDI-RR-SA	15024432	G3/4	3400	80	1.470
LFR-1/2-D-MAXI-RR-SA	15024382	LFR-1/2-D-O-MAXI-RR-SA	15024387	G1/2	9400		
LFR-3/4-D-MAXI-RR-SA	15024385	LFR-3/4-D-O-MAXI-RR-SA	15024388	G3/4	9700		
LFR-1-D-MAXI-RR-SA	15024386	LFR-1-D-O-MAXI-RR-SA	15024391	G1	10000		
LFR-1/8-D-5M-MINI-RR-SA	15024440	LFR-1/8-D-5M-O-MINI-RR-SA	15024458	G1/8	650	22	0.460
LFR-1/4-D-5M-MINI-RR-SA	15024441	LFR-1/4-D-5M-O-MINI-RR-SA	15024459	G1/4	1200		
LFR-3/8-D-5M-MINI-RR-SA	15024442	LFR-3/8-D-5M-O-MINI-RR-SA	15024460	G3/8	1350		
LFR-1/4-D-5M-MIDI-RR-SA	15024443	LFR-1/4-D-5M-O-MIDI-RR-SA	15024461	G1/4	1600	43	0.920
LFR-3/8-D-5M-MIDI-RR-SA	15024444	LFR-3/8-D-5M-O-MIDI-RR-SA	15024462	G3/8	2400		
LFR-1/2-D-5M-MIDI-RR-SA	15024446	LFR-1/2-D-5M-O-MIDI-RR-SA	15024463	G1/2	2500		
LFR-3/4-D-5M-MIDI-RR-SA	15024447	LFR-3/4-D-5M-O-MIDI-RR-SA	15024464	G3/4	2600	80	1.470
LFR-1/2-D-5M-MAXI-RR-SA	15024436	LFR-1/2-D-5M-O-MAXI-RR-SA	15024455	G1/2	7580		
LFR-3/4-D-5M-MAXI-RR-SA	15024438	LFR-3/4-D-5M-O-MAXI-RR-SA	15024456	G3/4	7600		
LFR-1-D-5M-MAXI-RR-SA	15024439	LFR-1-D-5M-O-MAXI-RR-SA	15024457	G1	8000		

# Filter regulator LFR-...-RR-SA

Flowrate: 750...10000 l/min

Cleanroom class ISO 5 (FS209E class 100)



- 1 Barbed fittings for plastic tubing
- 2 Metal bowl guard
- 3 Second pressure gauge Connection
- 4 Pressure sensor SDE1- ... -R
- 5 Mounting bracket HFOE-D- ... (not included in scope of delivery)
- 6 Installation dimensions
- 7 Vacuum suction port

Type	B1	B2	B3	B4	B5	B6	B7	D1	D2	D3	D4	D5
LFR-1/8-D-MINI-RR-SA	64	28	40	92	76	36	75	G1/8	31	43	M4	41
LFR-1/4-D-MINI-RR-SA								G1/4				
LFR-3/8-D-MINI-RR-SA								G3/8				
LFR-1/4-D-MIDI-RR-SA	85	46	55	111,5	95	44	91	G1/4	50	58	M5	49
LFR-3/8-D-MIDI-RR-SA								G3/8				
LFR-1/2-D-MIDI-RR-SA								G1/2				
LFR-3/4-D-MIDI-RR-SA								G3/4				
LFR-1/2-D-MAXI-RR-SA	96	51	66	124	107	50	100	G1/2	31	43	M5	49
LFR-3/4-D-MAXI-RR-SA								G3/4				
LFR-1-D-MAXI-RR-SA								G1				

Type	D6	H1	H2	H3	H4	L1	L2	L3	T1	SW1	SW2
LFR-1/8-D-MINI-RR-SA	38	20	38	35	9	193	69	60	7	14	24
LFR-1/4-D-MINI-RR-SA											
LFR-3/8-D-MINI-RR-SA											
LFR-1/4-D-MIDI-RR-SA	52	32	45,5	60	13	250	99	80	8	14	24
LFR-3/8-D-MIDI-RR-SA											
LFR-1/2-D-MIDI-RR-SA											
LFR-3/4-D-MIDI-RR-SA											
LFR-1/2-D-MAXI-RR-SA	65	32	51	60	9	252	82	90	8	14	24
LFR-3/4-D-MAXI-RR-SA											
LFR-1-D-MAXI-RR-SA											