

Push in fitting series QS-F...-RR

Cleanroom class ISO 4 (FS209E class 10)

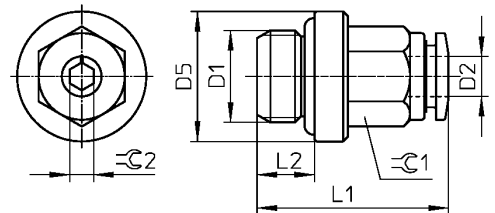
Push in fitting range

Threaded connection: M5 to G1/2
 Tubing O.D.: 3 to 12 mm

- Wide variety of variants, e.g. rotatable
- Brass fitting, nickel plated
- With sealing ring or moulded-on sealing rim
- Operating pressure – 0.95...10 bar
- Ambient temperature: 0...150 °C
- Material on collet: Stainless high alloy steel
- Material: Brass with nickel and chrome plated
- Approved for used in food processing



Push in connector with male thread, external hex
QS-F...-RR

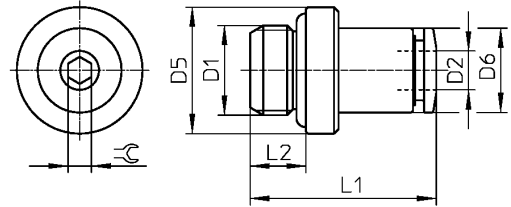


Type	Part no.	Connection D1	Nominal size [mm]	Tubing O.D. D2	D5	L1	L2	⌀C1	⌀C2	Weight/piece [g]
Metric thread with sealing ring										
QS-F-M5-4-RR	15059957	M5	2.6	4	8	20.5	4	9	2.5	6.1
QS-F-M5-6-RR	15059958	M5	2.6	6	8	23	4	11	2.5	9.3
QS-F-M7-4-RR	15059851	M7	2.6	4	10.2	22	5.5	9	2.5	6.9
QS-F-M7-6-RR	15059852	M7	3.6	6	11	25.3	5.5	11	3.5	10.3
G thread with sealing ring										
QS-F-G1/8-4-RR	15059828	G 1/8	2.6	4	13.5	19.5	5.5	9	2.5	8.9
QS-F-G1/8-6-RR	15059832	G 1/8	4.2	6	13.5	24.8	5.5	11	4	12
QS-F-G1/8-8-RR	15059833	G1/8	5.2	8	12.8	26.5	5.5	13	5	14
QS-F-G1/4-6-RR	15059834	G 1/4	4.2	6	17	22.8	6.5	11	4	16
QS-F-G1/4-8-RR	15059835	G 1/4	6.2	8	17	24	6.5	13	6	16
QS-F-G1/4-10-RR	15059837	G 1/4	7.3	10	16	28.9	6.5	16	7	23.7
QS-F-G3/8-8-RR	15059838	G 3/8	6.2	8	20	24	7.5	13	6	23.3
QS-F-G3/8-10-RR	15059839	G 3/8	8.3	10	21	29.4	7.5	16	8	30

Push in fitting series QS-F-...-RR

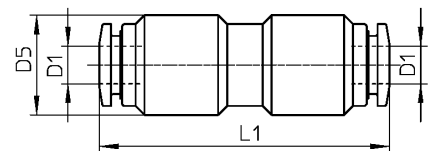
Cleanroom class ISO 4 (FS209E class 10)

Push in fitting. Male straight thread with internal hex
QS-F-...-I-RR



Type	Part No.	Connection D1	Nominal size [mm]	Tubing O.D. D2	D5	L1	L2	⌀	Weight/piece [g]
Metric thread with sealing ring									
QS-F-M5-4-I-RR	15085174	M5	2.6	4	8	20.5	4	2.5	6
QS-F-M5-6-I-RR	15085175	M5	2.6	6	8	23.5	4	2.5	9
QS-F-M7-4-I-RR	15085176	M7	2.6	4	11	22	5.5	2.5	6.4
QS-F-M7-6-I-RR	15085177	M7	4.1	6	11	25.3	5.5	3.5	9.4
G thread with sealing ring									
QS-F-G1/8-4-I-RR	15085178	G 1/8	2.6	4	13	19.5	5.5	2.5	8.6
QS-F-G1/8-6-I-RR	15085179	G 1/8	4.2	6	13	24.8	5.5	4	13.4
QS-F-G1/8-8-I-RR	15085180	G1/8	5.2	8	13	26.5	5.5	5	13.1
QS-F-G1/4-8-I-RR	15085181	G 1/4	6.2	8	16	24	6.5	6	14.6
QS-F-G1/4-10-I-RR	15085182	G 1/4	7.3	10	16	28.9	6.5	7	21

Push in connector
QS-F-...-RR

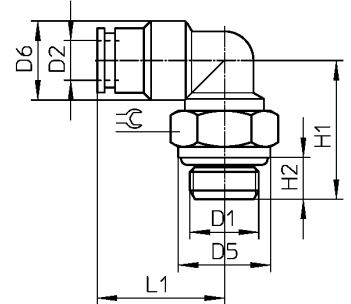
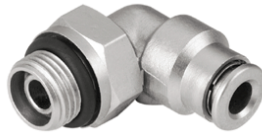


Type	Part No.	Tubing O.D. D1	Nominal size [mm]	D5	L1	Weight/piece [g]
QS-F-4-RR	15085183	4	3	11	32	14.3
QS-F-6-RR	15085184	6	5	14	36.1	22.5
QS-F-8-RR	15085185	8	7	16	38	29.4
QS-F-10-RR	15085186	10	9	18	42.3	41.7

Push in fitting series QS-F-...-RR

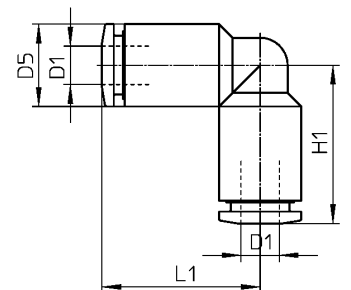
Cleanroom class ISO 4 (FS209E class 10)

Push in L-fitting with male
straight thread and external hex
360° rotatable
QSL-F-...-RR



Type	Part No.	Connection D1	Nominal size [mm]	Tubing O.D. D2	D5	D6	H1	H2	L1	⌀	Weight/piece [g]
Metric thread with sealing ring											
QSL-F-M5-4-RR	15085187	M5	2.2	4	8	9	19.7	4	18.2	8	10.7
QSL-F-M5-6-RR	15085188	M5	2.2	6	8	11	19.7	4	20.6	8	14.7
QSL-F-M7-4-RR	15085189	M7	2.2	4	10.2	9	21.7	5.5	18.2	9	11.3
QSL-F-M7-6-RR	15085190	M7	2.2	6	10.2	11	21.7	5.5	20.6	9	15.6
G thread with sealing ring											
QSL-F-G1/8-4-RR	15085191	G 1/8	3	4	12.8	11	18.2	5.5	17.7	13	17.6
QSL-F-G1/8-6-RR	15085192	G 1/8	3.8	6	12.8	11	18.2	5.5	19.8	13	16
QSL-F-G1/8-8-RR	15085193	G1/8	3.8	8	12.8	13	20.2	5.5	23	13	20
QSL-F-G1/4-6-RR	15085194	G 1/4	5	6	15.8	11	21	6.5	22.1	16	24.5
QSL-F-G1/4-8-RR	15085195	G 1/4	6	8	15.8	13	21	6.5	23	16	24
QSL-F-G1/4-10-RR	15085196	G 1/4	6	10	15.8	16	23	6.5	26.4	16	34.6
QSL-F-G3/8-8-RR	15085197	G 3/8	6.7	8	20	13	24	7.5	24.5	18	34.2
QSL-F-G3/8-10-RR	15085198	G 3/8	8.8	10	20	16	24	7.5	26.4	18	36.6

Push in L-connector
QSL-F-...-RR



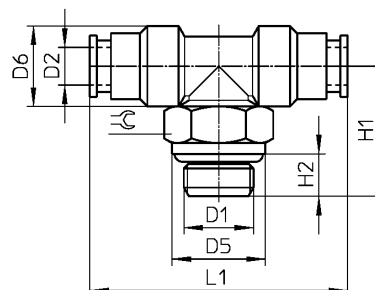
Type	Part No.	Tubing O.D. D1	Nominal size [mm]	D5	L1	Weight/piece [g]
QSL-F-4-RR	15085199	4	3	9	17.3	9
QSL-F-6-RR	15085200	6	5	11	20.6	15.1
QSL-F-8-RR	15085201	8	7	13	23	19.1
QSL-F-10-RR	15085202	10	9	16	26.4	29.6

Push in fitting series QS-F-...-RR

Cleanroom class ISO 4 (FS209E class 10)

Push in T-fitting with male straight thread and external hex
360° rotatable

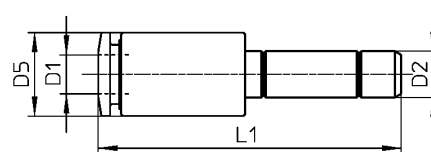
QST-F-...-RR



Type	Part No.	Connection D1	Nominal size [mm]	Tubing O.D. D2	D5	D6	H1	H2	L1	⌀	Weight/piece [g]
Metric thread with sealing ring											
QST-F-M5-4-RR	15085209	M5	2.2	4	8	9	19.7	4	34.6	8	14.6
QST-F-M5-6-RR	15085210	M5	2.2	6	8	11	19.7	4	41.2	8	20.9
QST-F-M7-4-RR	15085211	M7	2.2	4	10.2	9	21.7	5.5	34.6	9	15.9
QST-F-M7-6-RR	15085212	M7	2.2	6	10.2	11	21.7	5.5	41.2	9	22.2
G thread with sealing ring											
QST-F-G1/8-4-RR	15085213	G 1/8	2.9	4	12.8	11	18.2	5.5	34.6	13	22
QST-F-G1/8-6-RR	15085214	G 1/8	3.8	6	12.8	11	18.2	5.5	39.6	13	22
QST-F-G1/8-8-RR	15085215	G1/8	3.8	8	12.8	13	20.2	5.5	46	13	28
QST-F-G1/4-6-RR	15085216	G 1/4	4.9	6	15.8	11	21	6.5	44.2	16	32
QST-F-G1/4-8-RR	15085217	G 1/4	6	8	15.8	13	21	6.5	46	16	33.6
QST-F-G1/4-10-RR	15085218	G 1/4	6	10	15.8	16	23	6.5	52.8	16	47.5
QST-F-G3/8-8-RR	15085219	G 3/8	6.8	8	20	13	24	7.5	49	18	44
QST-F-G3/8-10-RR	15085220	G 3/8	8.8	10	20	16	24	7.5	52.8	18	51

Push in connector with push in sleeve

QS-F-... H-...-RR

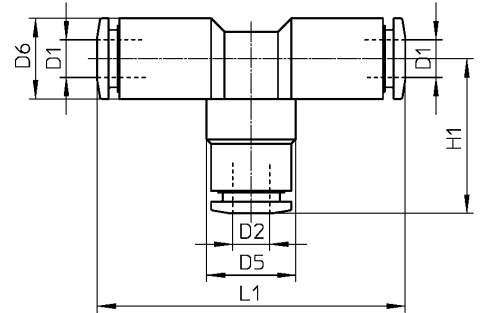


Type	Part No.	Tubing O.D. D1	Nominal size [mm]	Push in sleeve D2	D5	L1	Weight/piece [g]
QS-F-6H-4-RR	15085203	4	3	6	9	32.5	7.3
QS-F-8H-4-RR	15085204	4	3	8	9	34	11.2
QS-F-8H-6-RR	15085205	6	5	8	11	36.3	10.8
QS-F-10H-4-RR	15085206	4	3	10	13	39	23.5
QS-F-10H-6-RR	15085207	6	5	10	11	39.3	17.5
QS-F-10H-8-RR	15085208	8	7	10	13	39	14.2

Push in fitting series QS-F-...-RR

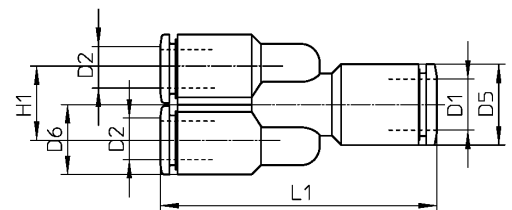
Cleanroom class ISO 4 (FS209E class 10)

Push in T-connector
QST-F-...-RR



Type	Part No.	Tubing O.D. D1	Nominal size [mm]	Tubing O.D. D2	D5	D6	H1	L1	Weight/piece [g]
QST-F-4-RR	15085221	4	3	4	9	9	17.3	34.6	13.1
QST-F-6-RR	15085222	6	5	6	11	11	20.6	41.2	21.3
QST-F-8-RR	15085223	8	7	8	13	13	23	46	26.9
QST-F-10-RR	15085224	10	9	10	16	16	26.4	52.8	43.2
Reducing									
QST-F-6-4-RR	15085225	6	-	4	11	11	20.6	41.2	22.3
QST-F-8-6-RR	15085226	8	-	6	11	13	23	46	26.5
QST-F-10-8-RR	15085227	12	-	10	16	19	28.9	57.8	64.3

Push in Y-connector
QSY-F-...-RR



Type	Part No.	Tubing O.D. D1	Nominal size [mm]	Tubing O.D. D2	D5	D6	H1	L1	Weight/piece [g]
QSY-F-6-RR	15085228	6	5	6	11	11	11.5	43.1	26.2
QSY-F-8-RR	15085229	8	7	8	13	13	13.5	46.5	27.6
QSY-F-10-RR	15085230	10	9	10	16	16	16.5	49.3	58.8
Reducing									
QSY-F-6-4-RR	15085231	6	-	4	11	9	9.5	38.8	17.8
QSY-F-8-6-RR	15085232	8	-	6	13	11	11.5	44.8	28.1
QSY-F-10-8-RR	15085233	10	-	8	16	13	13.5	46.5	39