

# Push-in fittings NPQP-RR

FESTO

Cleanroom class ISO 4 (FS209E class 10)

General technical data	
Size	Standard
Design	Push-pull principle

Materials	
Housing	PP
Tube retaining claw	High-alloy stainless steel
Note on materials	RoHS-compliant
	Contains PWIS (paint-wetting impairment substances)

Operating and environmental conditions		
Operating pressure	[bar]	-0.95 ... +10
Operating medium		Filtered compressed air, lubricated or unlubricated
		Vacuum
Ambient temperature	[°C]	-20 ... +60
		Extended temperature range on request
Corrosion resistance class	CRC <sup>1)</sup>	4
ATEX		Specified types → <a href="http://www.festo.com">www.festo.com</a>

1) CRC4: Corrosion resistance class to Festo standard 940 070

Components with very heavy corrosion exposure. Components in contact with aggressive media, e.g. in food or chemical industries. These applications must, if necessary, be verified by special test with the media concerned.

**-H-** Note

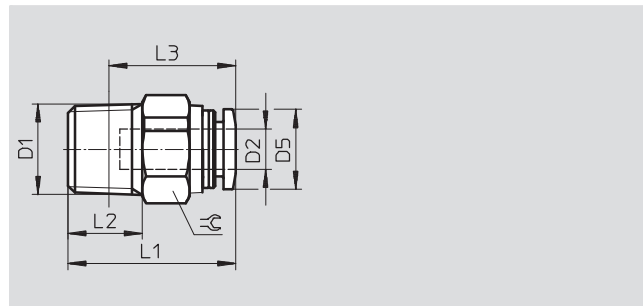
Leaks can occur with large temperature fluctuations due to the high expansion coefficient of polypropylene in combination with the R thread.

To avoid this it is recommended to seal the thread with Loctite® 55 pipe sealing cord.

Loctite® is a registered trademark of the respective trademark owners in certain countries.

## Push-in fitting NPQP-D-RR

Male thread with external hex



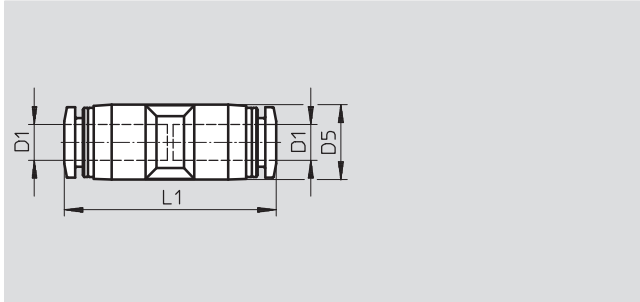
Dimensions and ordering data										
Connection	Nominal size	Tubing O.D.	D5	L1	L2	L3	≈C	Weight/piece	Part No.	Type
D1	[mm]	D2						[g]		
R <sup>1</sup> / <sub>8</sub>	2.1	4	9.9	21.1	8	17.1	9	2.5	15170900	NPQP-D-R18-Q4-RR
	3.4	6	11.8	22.8	8	18.8	14	3.0	15170883	NPQP-D-R18-Q6-RR
	5.3	8	13.8	27.9	8	23.9	17	4.5	15170924	NPQP-D-R18-Q8-RR
R <sup>1</sup> / <sub>4</sub>	2.1	4	9.9	22.3	11	16.3	14	3.5	15170925	NPQP-D-R14-Q4-RR
	3.4	6	11.8	24.8	11	18.8	14	3.5	15170926	NPQP-D-R14-Q6-RR
	5.3	8	13.8	26.6	11	20.6	17	4.5	15170927	NPQP-D-R14-Q8-RR
	6.2	10	16.8	32.6	11	26.6	19	7.0	15170928	NPQP-D-R14-Q10-RR
R <sup>3</sup> / <sub>8</sub>	6.2	10	16.8	33.6	12	27.3	19	8.0	15170929	NPQP-D-R38-Q10-RR
	7.2	12	19.8	37.6	12	31.3	22	12.0	15170930	NPQP-D-R38-Q12-RR
R <sup>1</sup> / <sub>2</sub>	7.2	12	19.8	34.1	15	25.9	22	12.0	15170931	NPQP-D-R12-Q12-RR

# Push-in fittings NPQP-RR

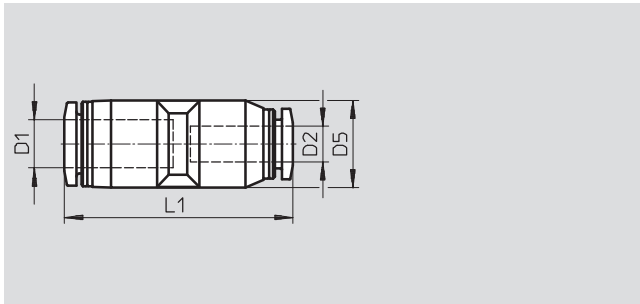
FESTO

Cleanroom class ISO 4 (FS209E class 10)

## Push-in connector NPQD-D-RR



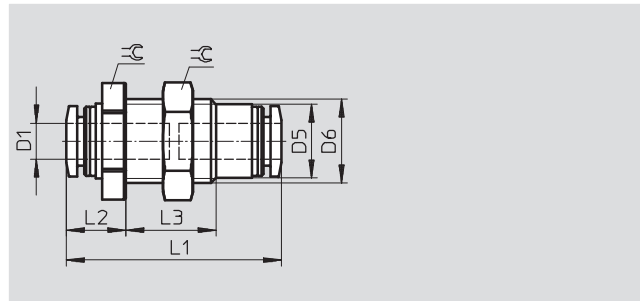
Reducing



### Dimensions and ordering data

Tubing O.D.	Nominal size	Tubing O.D.	D5	L1	Weight/piece	Part No.	Type
D1	[mm]	D2	∅		[g]		
4	2.6	4	10.0	31.0	4.0	15170932	NPQP-D-Q4-E-RR
6	4.0	6	12.5	35.2	5.5	15170933	NPQP-D-Q6-E-RR
8	5.0	8	14.5	37.8	8.0	15170934	NPQP-D-Q8-E-RR
10	6.7	10	17.5	43.8	13.0	15170935	NPQP-D-Q10-E-RR
12	8.7	12	21.0	48.2	19.0	15170936	NPQP-D-Q12-E-RR
<b>Reducing</b>							
6	2.6	4	12.5	34.6	5.5	15170937	NPQP-D-Q6-Q4-RR
8	4.0	6	14.5	38.0	7.0	15170938	NPQP-D-Q8-Q6-RR
10	5.0	8	17.5	43.3	12.0	15170939	NPQP-D-Q10-Q8-RR
12	6.7	10	21.0	48.0	18.0	15170940	NPQP-D-Q12-Q10-RR

## Push-in bulkhead connector NPQP-H-RR



### Dimensions and ordering data

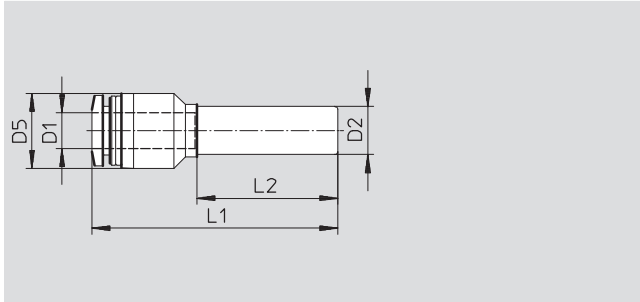
Tubing O.D.	Nominal size	D5	D6	L1	L2	L3	⌀	Weight/piece	Part No.	Type
D1	[mm]	∅						[g]		
4	2.3	10.0	M12x1.5	31.6	9.3	12.0	14	7.2	15170941	NPQP-H-Q4-E-RR
6	3.7	12.3	M14x1.5	35.8	9.9	15.0	17	10.2	15170942	NPQP-H-Q6-E-RR
8	4.9	14.2	M16x1.5	38.4	10.7	15.5	19	14.3	15170943	NPQP-H-Q8-E-RR
10	7.1	17.5	M20x2	43.4	13.2	18.5	24	24.4	15170944	NPQP-H-Q10-E-RR
12	7.8	21.0	M24x2	48.8	13.4	20.5	27	30.4	15170945	NPQP-H-Q12-E-RR

# Push-in fittings NPQP-RR

FESTO

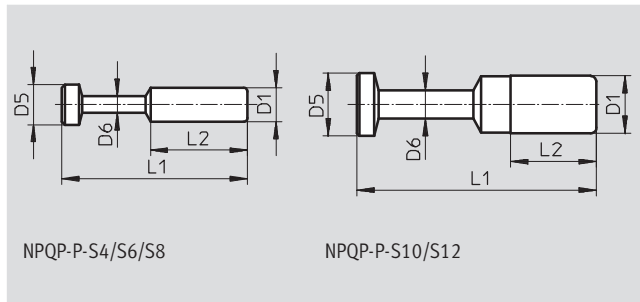
Cleanroom class ISO 4 (FS209E class 10)

Push-in connector NPQP-D-RR  
with push-in sleeve



Dimensions and ordering data								
Tubing O.D. D1	Nominal size [mm]	Push-in sleeve $\varnothing$ D2	D5 $\varnothing$	L1	L2	Weight/piece [g]	Part No.	Type
4	2.5	6	10.0	37.8	22.3	2.4	15170946	NPQP-D-Q4-S6-RR
	2.4	8	12.5	40.3	23.3	3.0	15170947	NPQP-D-Q4-S8-RR
6	3.8	8	12.5	40.9	23.3	3.2	15170948	NPQP-D-Q6-S8-RR
	3.8	10	12.5	43.9	28.3	3.6	15170949	NPQP-D-Q6-S10-RR
8	5.4	10	14.5	43.7	24.8	4.7	15170950	NPQP-D-Q8-S10-RR
	5.4	12	14.5	49.7	33.5	5.4	15170951	NPQP-D-Q8-S12-RR
10	6.3	12	17.5	50.2	28.8	7.9	15170952	NPQP-D-Q10-S12-RR

Blanking plug NPQP-P-RR



Dimensions and ordering data								
Push-in sleeve $\varnothing$ D1	D5 $\varnothing$	D6 $\varnothing$	L1	L2	Weight/piece [g]	Part No.	Type	
4	5	3	27.5	15.0	0.5	15170953	NPQP-P-S4-RR	
6	7	3	32.5	17.0	0.5	15170954	NPQP-P-S6-RR	
8	9	4	36.5	18.1	1.0	15170955	NPQP-P-S8-RR	
10	11	5	42.0	20.2	2.0	15170956	NPQP-P-S10-RR	
12	13	6	44.0	23.4	2.5	15170957	NPQP-P-S12-RR	

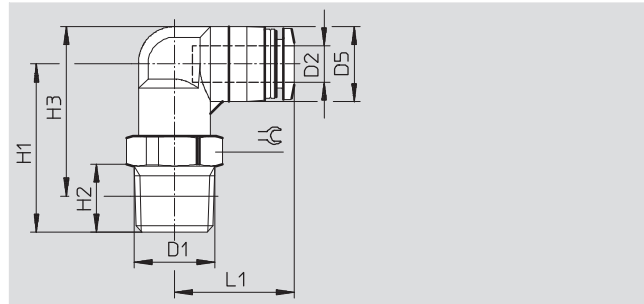
# Push-in fittings NPQP-RR

FESTO

Cleanroom class ISO 4 (FS209E class 10)

## Push-in L-fitting NPQP-L-RR

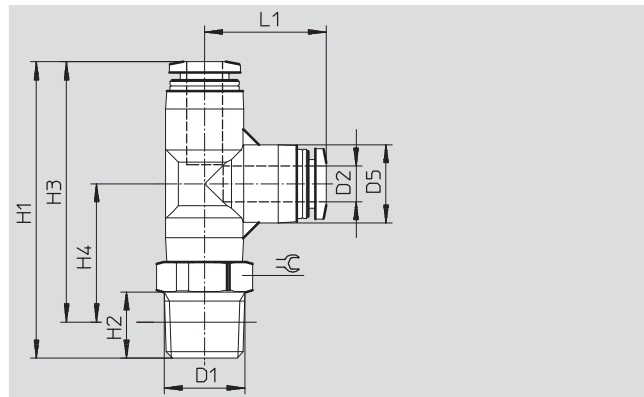
Male thread  
with external hex



Dimensions and ordering data											
Connection	Nominal size	Tubing O.D.	D5	H1	H2	H3	L1	⌀	Weight/piece	Part No.	Type
D1	[mm]	D2							[g]		
R <sup>1</sup> / <sub>8</sub>	2.1	4	10.0	23.3	8	24.3	18.1	10	4.0	15170958	NPQP-L-R18-Q4-RR
	3.3	6	12.5	25.0	8	27.3	19.9	12	5.0	15170959	NPQP-L-R18-Q6-RR
	4.7	8	14.5	28.0	8	31.3	22.7	14	7.0	15170960	NPQP-L-R18-Q8-RR
R <sup>1</sup> / <sub>4</sub>	2.1	4	10.0	26.3	11	25.3	18.1	14	4.5	15170961	NPQP-L-R14-Q4-RR
	3.3	6	12.5	28.0	11	28.2	19.9	14	5.5	15170962	NPQP-L-R14-Q6-RR
	4.7	8	14.5	31.0	11	32.2	22.7	14	7.5	15170963	NPQP-L-R14-Q8-RR
	5.7	10	17.5	36.0	11	38.7	26.4	17	12.0	15170964	NPQP-L-R14-Q10-RR
R <sup>3</sup> / <sub>8</sub>	5.7	10	17.5	37.0	12	39.4	26.4	17	13.0	15170965	NPQP-L-R38-Q10-RR
	6.9	12	21.0	39.0	12	43.2	29.6	22	18.0	15170966	NPQP-L-R38-Q12-RR
R <sup>1</sup> / <sub>2</sub>	6.9	12	21.0	42.0	15	44.3	29.6	22	19.0	15170967	NPQP-L-R12-Q12-RR

## Push-in L-fitting NPQP-LQ-RR

Male thread  
with external hex



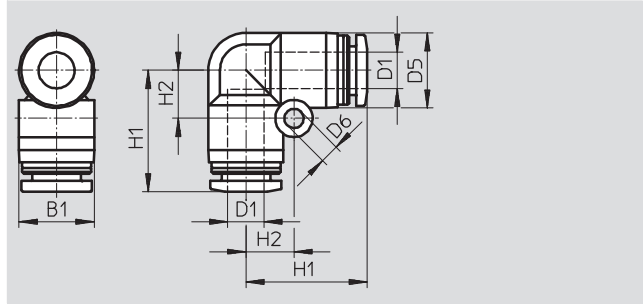
Dimensions and ordering data												
Connection	Nominal size	Tubing O.D.	D5	H1	H2	H3	H4	L1	⌀	Weight/piece	Part No.	Type
D1	[mm]	D2								[g]		
R <sup>1</sup> / <sub>8</sub>	2.0	4	10.0	40.2	8	36.2	19.2	17.0	10	6.0	15170968	NPQP-LQ-R18-Q4-RR
	3.3	6	13.0	46.3	8	42.3	22.0	20.2	12	8.0	15170969	NPQP-LQ-R18-Q6-RR
	4.8	8	15.0	50.4	8	46.4	24.2	22.2	14	11.0	15170970	NPQP-LQ-R18-Q8-RR
R <sup>1</sup> / <sub>4</sub>	2.0	4	10.0	43.2	11	37.2	20.2	17.0	14	6.5	15170971	NPQP-LQ-R14-Q4-RR
	3.3	6	13.0	49.3	11	43.3	23.0	20.2	14	8.5	15170972	NPQP-LQ-R14-Q6-RR
	4.8	8	15.0	53.4	11	47.4	25.2	22.2	14	12.0	15170973	NPQP-LQ-R14-Q8-RR
	5.8	10	17.5	61.4	11	55.4	30.0	25.4	17	18.0	15170974	NPQP-LQ-R14-Q10-RR
R <sup>3</sup> / <sub>8</sub>	5.8	10	17.5	62.4	12	56.1	30.7	25.4	17	19.0	15170975	NPQP-LQ-R38-Q10-RR
	6.9	12	21.0	67.8	12	61.5	32.9	28.4	22	26.0	15170976	NPQP-LQ-R38-Q12-RR
R <sup>1</sup> / <sub>2</sub>	6.9	12	21.0	70.8	15	62.6	34.0	28.4	22	28.0	15170977	NPQP-LQ-R12-Q12-RR

# Push-in fittings NPQP-RR

FESTO

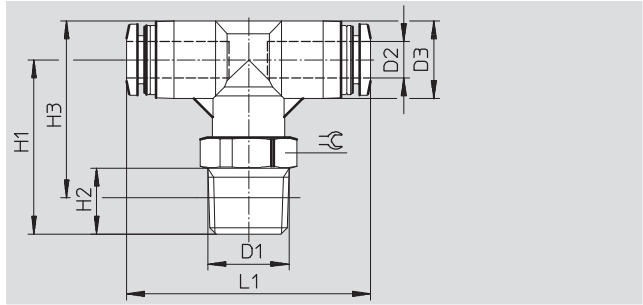
Cleanroom class ISO 4 (FS209E class 10)

## Push-in L-connector NPQP-L-RR



Dimensions and ordering data										
Tubing O.D.	Nominal size	Tubing O.D.	D5 ∅	D6	B1	H1	H2	Weight/piece	Part No.	Type
D1	[mm]	D1						[g]		
4	2.3	4	10.0	3.2	10.0	17.0	6.5	4.5	15170978	NPQP-L-Q4-E-RR
6	3.6	6	12.5	3.2	12.5	20.2	8.0	6.0	15170979	NPQP-L-Q6-E-RR
8	4.6	8	15.0	4.2	15.6	22.4	10.0	9.0	15170980	NPQP-L-Q8-E-RR
10	6.2	10	17.5	4.2	18.2	26.4	12.0	14.0	15170981	NPQP-L-Q10-E-RR
12	7.7	12	21.0	4.2	21.7	29.6	14.0	20.0	15170982	NPQP-L-Q12-E-RR

## Push-in T-fitting NPQP-T-RR



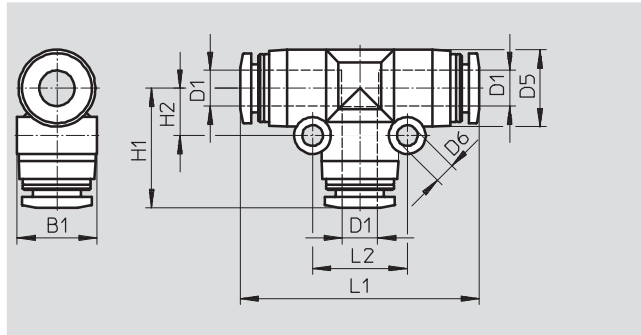
Dimensions and ordering data											
Connection	Nominal size	Tubing O.D.	D5	H1	H2	H3	L1	∅	Weight/piece	Part No.	Type
D1	[mm]	D2							[g]		
R $\frac{1}{8}$	2.0	4	10.0	23.2	8	24.2	34.0	10	6.0	15170983	NPQP-T-R18-Q4-RR
	3.2	6	13.0	26.0	8	28.5	40.6	12	8.0	15170984	NPQP-T-R18-Q6-RR
	4.7	8	15.0	26.3	8	29.8	44.8	14	11.0	15170985	NPQP-T-R18-Q8-RR
R $\frac{1}{4}$	2.0	4	10.0	26.2	11	25.2	34.0	14	6.5	15170986	NPQP-T-R14-Q4-RR
	3.2	6	13.0	29.0	11	29.5	40.6	14	8.5	15170987	NPQP-T-R14-Q6-RR
	4.7	8	15.0	29.3	11	30.8	44.8	14	12.0	15170988	NPQP-T-R14-Q8-RR
	5.8	10	17.5	36.0	11	38.7	50.8	17	18.0	15170989	NPQP-T-R14-Q10-RR
R $\frac{3}{8}$	5.8	10	17.5	37.0	12	39.4	50.8	17	19.0	15170990	NPQP-T-R38-Q10-RR
	6.9	12	21.0	39.0	12	43.2	57.2	22	26.0	15170991	NPQP-T-R38-Q12-RR
R $\frac{1}{2}$	6.9	12	21.0	42.0	15	44.3	57.2	22	28.0	15170992	NPQP-T-R12-Q12-RR

# Push-in fittings NPQP-RR

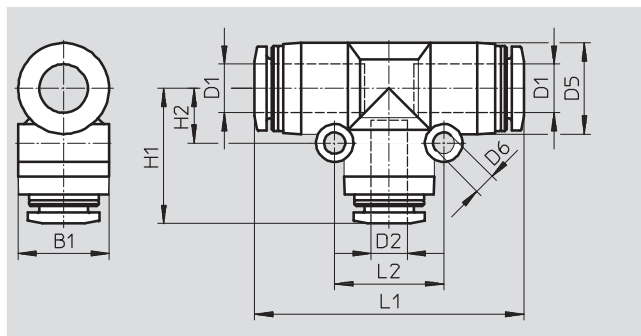
FESTO

Cleanroom class ISO 4 (FS209E class 10)

## Push-in T-connector NPQP-T-RR



Reducing



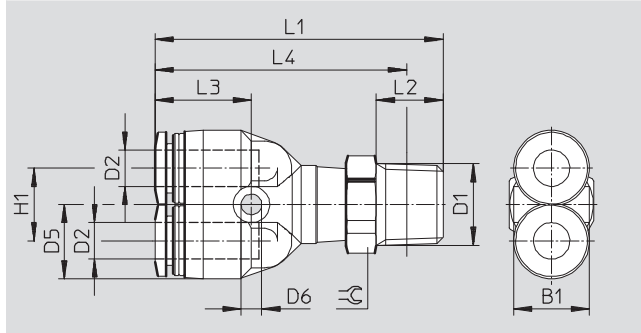
Dimensions and ordering data												
Tubing O.D.	Nominal size	Tubing O.D.	D5	D6	B1	H1	H2	L1	L2	Weight/ piece	Part No.	Type
D1	[mm]	D2	∅							[g]		
4	2.6	4	10.0	3.2	10.0	17.0	6.5	34.0	13.0	6.5	15170993	NPQP-T-Q4-E-RR
6	4.0	6	13.0	3.2	13.5	20.2	8.0	40.4	16.0	9.0	15170994	NPQP-T-Q6-E-RR
8	5.0	8	15.0	3.2	15.0	22.2	9.0	44.4	18.0	13.0	15170995	NPQP-T-Q8-E-RR
10	6.7	10	17.5	4.2	17.5	25.4	12.0	50.8	24.0	21.0	15170996	NPQP-T-Q10-E-RR
12	8.7	12	21.0	4.2	21.7	28.4	14.0	57.2	28.0	30.0	15170997	NPQP-T-Q12-E-RR
Reducing												
6	2.3	4	13.0	3.2	13.5	19.6	8.0	40.4	16.0	9.0	15170998	NPQP-T-Q6-Q4-RR
8	3.6	6	15.0	3.2	15.0	22.4	9.0	44.4	18.0	12.0	15170999	NPQP-T-Q8-Q6-RR
10	5.0	8	17.5	4.2	17.5	24.9	12.0	50.8	24.0	19.5	15171000	NPQP-T-Q10-Q8-RR
12	6.4	10	21.0	4.2	21.7	28.2	14.0	57.2	28.0	28.0	15171001	NPQP-T-Q12-Q10-RR

# Push-in fittings NPQP-RR

FESTO

Cleanroom class ISO 4 (FS209E class 10)

## Push-in Y-fitting NPQP-Y-RR



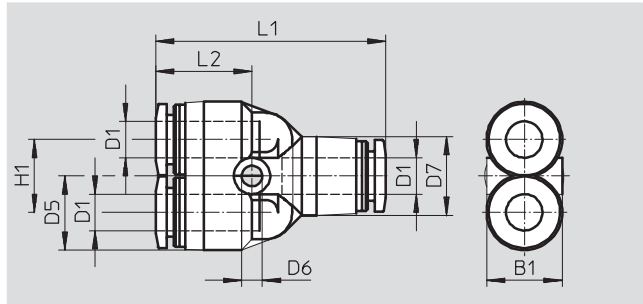
Dimensions and ordering data														
Connection	Nominal size [mm]	Tubing O.D.	D5	D6	B1	H1	L1	L2	L3	L4	⌀	Weight/ piece [g]	Part No.	Type
D1		D2												
R thread														
R1/8	2.0	4	10.0	3.4	10.0	11	40.7	8	14.2	36.7	10	6.5	15171002	NPQP-Y-R18-Q4-RR
	2.8	6	12.5	3.4	13.5	12	44.5	8	15.9	40.5	12	8.0	15171003	NPQP-Y-R18-Q6-RR
	4.5	8	14.5	3.4	14.5	14	48.7	8	17.2	44.7	14	12.0	15171004	NPQP-Y-R18-Q8-RR
R1/4	2.0	4	10.0	3.4	10.0	11	43.7	11	14.2	37.7	14	7.0	15171005	NPQP-Y-R14-Q4-RR
	2.8	6	12.5	3.4	13.5	12	47.5	11	15.9	41.5	14	8.5	15171006	NPQP-Y-R14-Q6-RR
	4.5	8	14.5	3.4	14.5	14	51.7	11	17.2	45.7	14	12.0	15171007	NPQP-Y-R14-Q8-RR
	5.3	10	18.0	4.5	18.0	18	58.5	11	19.7	52.5	17	20.0	15171008	NPQP-Y-R14-Q10-RR
R3/8	5.3	10	18.0	4.5	18.0	18	59.5	12	19.7	53.2	17	21.0	15171009	NPQP-Y-R38-Q10-RR
	6.2	12	21.0	4.2	21.0	20	64.7	12	22.4	58.4	22	28.0	15171010	NPQP-Y-R38-Q12-RR
R1/2	6.2	12	21.0	4.2	21.0	20	67.7	15	22.4	59.5	22	30.0	15171011	NPQP-Y-R12-Q12-RR

# Push-in fittings NPQP-RR

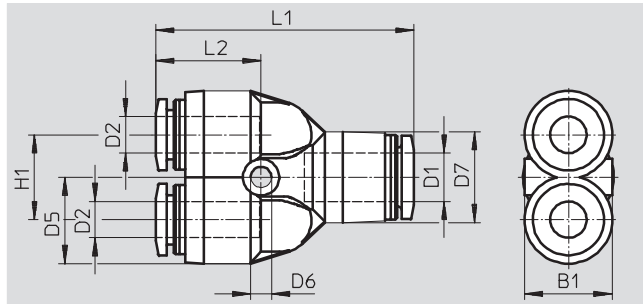
FESTO

Cleanroom class ISO 4 (FS209E class 10)

## Push-in Y-connector NPQP-Y-RR



Reducing



Dimensions and ordering data												
Tubing O.D. D1	Nominal size [mm]	Tubing O.D. D2	D5 ∅	D6	D7	B1	H1	L1	L2	Weight/ piece [g]	Part No.	Type
4	2.3	4	10.0	3.4	10.0	10.0	11.0	33.0	14.2	6.5	15171012	NPQP-Y-Q4-E-RR
6	3.6	6	12.5	3.4	13.0	13.5	12.0	38.0	15.9	9.0	15171013	NPQP-Y-Q6-E-RR
8	4.6	8	14.5	3.4	15.0	14.5	14.0	42.4	17.2	13.0	15171014	NPQP-Y-Q8-E-RR
10	5.9	10	18.0	4.5	18.0	18.0	18.0	48.8	19.7	22.0	15171015	NPQP-Y-Q10-E-RR
12	7.0	12	21.0	4.2	21.5	21.0	20.0	55.2	22.4	31.0	15171016	NPQP-Y-Q12-E-RR
Reducing												
6	2.3	4	12.5	3.4	13.0	13.5	12.0	37.4	15.3	8.5	15171017	NPQP-Y-Q6-Q4-RR
8	3.6	6	14.5	3.4	15.0	14.5	14.0	42.6	17.4	11.5	15171018	NPQP-Y-Q8-Q6-RR
10	4.7	8	18.0	4.5	18.0	18.0	18.0	48.3	19.2	18.5	15171019	NPQP-Y-Q10-Q8-RR
12	5.9	10	21.0	4.2	21.5	21.0	20.0	55.0	22.2	28.5	15171020	NPQP-Y-Q12-Q10-RR