

Piloted check valves HGL

FESTO



Festo core product range
Covers 80% of your automation tasks

Worldwide:
Superb:
Easy:

Always in stock
Festo quality at an attractive price
Simplified procurement and warehousing

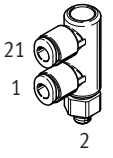
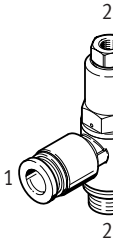
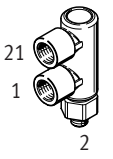
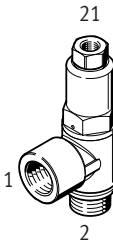
★ Generally ready for shipping ex works in 24 hours
In stock at 13 Service Centres worldwide
More than 2200 products

★ Generally ready for shipping ex works in 5 days
Assembled for you at 4 Service Centres worldwide
Up to 6×10^{12} variants per product family

Just look
for the
star!

Product range overview and type codes

Product range overview

Valve function	Design	Pneumatic connection 1	Pneumatic connection 2	Pilot air connection 21	q _{nN} [l/min]	→ Page/ Internet	
Piloted non-return function	Push-in connector		QS-4	M5	QS-4	130	4
			QS-4, QS-6, QS-8, QS-10, QS-12	G1/8, G1/4, G3/8, G1/2	M5, G1/8, G1/4, G3/8	200 ... 1400	4
	Female thread		M5	M5	M5	130	7
			M5, G1/8, G1/4, G3/8, G1/2	M5, G1/8, G1/4, G3/8, G1/2	M5, G1/8, G1/4, G3/8	300 ... 1600	7

Type codes

001	Series
HGL	Piloted check valve

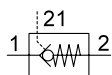
002	Pneumatic connection 2
M5	Male thread M5
1/8	Male thread G1/8
1/4	Male thread G1/4
3/8	Male thread G3/8
1/2	Male thread G1/2




003	Pneumatic connection 1
	Connection size as for port 1 or 2
QS-4	Push-in connector 4 mm
QS-6	Push-in connector 6 mm
QS-8	Push-in connector 8 mm
QS-10	Push-in connector 10 mm
QS-12	Push-in connector 12 mm

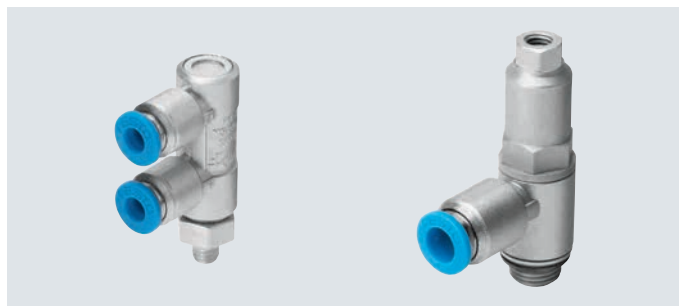
004	Generation
	None
B	Series B

Data sheet – Push-in connector

Function



-  - Flow rate
130 ... 1400 l/min
-  - Temperature range
-10 ... +60°C
-  - Operating pressure
0.05 ... 1 MPa



The piloted check valve is suitable for brief positioning and braking functions in pneumatic drives.

Compressed air flows to and from the drive as long as a control signal is applied to pneumatic connection 21.

If no control signal is applied, the valve shuts off the exhaust air from the drive in flow direction 2 → 1 and the movement of the drive is stopped.

- Proven component suitable for use in safety-related systems
- Swivel joint can be turned after mounting
- Manual exhausting of air trapped in the cylinder with manual override HAB as an accessory → page 10

Note

If used in safety-related applications, additional measures are necessary, e.g. in Europe the standards listed under the EC Machinery Directive must be observed.

Without additional measures in accordance with legally specified minimum requirements, the product is not suitable as a safety-related component in control systems.

General technical data

Pneumatic connection 2	M5	G1/8	G1/4	G3/8	G1/2
Pneumatic connection 1	QS-4	QS-4, QS-6	QS-8, QS-10	QS-8, QS-10	QS-12
Pilot air connection 21	QS-4	M5	G1/8	G1/4	G3/8
Valve function	Piloted non-return function				
Actuation type	Pneumatic				
Type of mounting	Screw-in, via male thread				
Mounting position	Any				
Nominal tightening torque [Nm]	1.25 ±10%	3.5 ±10%	11 ±10%	12.5 ±10%	14 ±10%

† Note: This product conforms to ISO 1179-1 and ISO 228-1.

Operating and environmental conditions

Pneumatic connection 2	M5	G1/8	G1/4	G3/8	G1/2
Operating pressure for entire temperature range	[MPa]	0.05 ... 1			
	[bar]	0.5 ... 10			
	[psi]	7.25 ... 145			
Pilot pressure	[MPa]	0.2 ... 1		0.1 ... 1	
	[bar]	2 ... 10		1 ... 10	
	[psi]	29 ... 145		14.5 ... 145	
Operating/pilot medium	Compressed air to ISO 8573-1:2010 [7:4:4]				
Note on the operating/pilot medium	Lubricated operation possible (in which case lubricated operation will always be required)				
PWIS conformity	VDMA24364-B2-L				
Ambient temperature [°C]	-10 ... +60				
Temperature of medium [°C]	-10 ... +60				
Storage temperature [°C]	-10 ... +60				
Corrosion resistance class CRC ¹⁾	2				
Maritime classification	See certificate ²⁾				

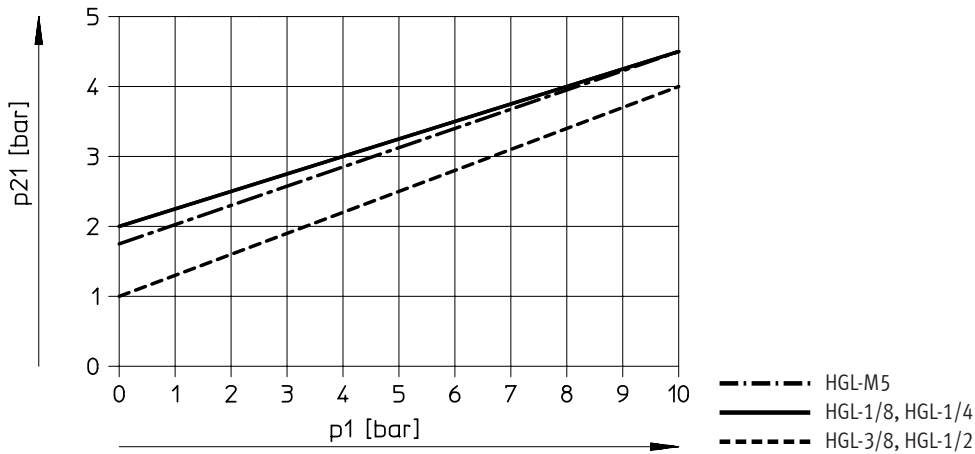
1) Corrosion resistance class CRC 2 to Festo standard FN 940070

Moderate corrosion stress. Indoor applications in which condensation can occur. External visible parts with primarily decorative surface requirements which are in direct contact with a normal industrial environment.

2) Additional information is available at www.festo.com/catalogue/... → Support/Downloads.

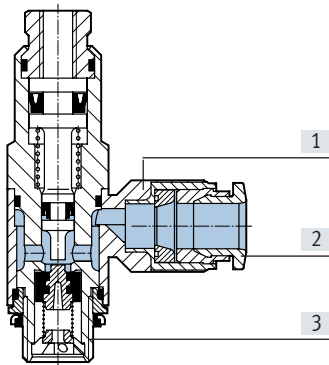
Data sheet – Push-in connector

Minimum pilot pressure p21 as a function of operating pressure p1



Materials

Sectional view

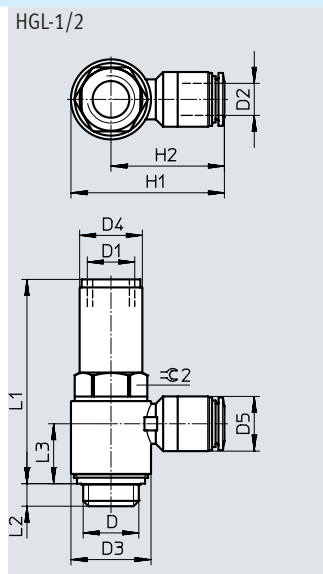
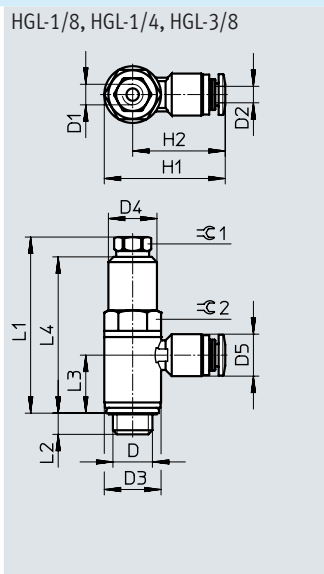
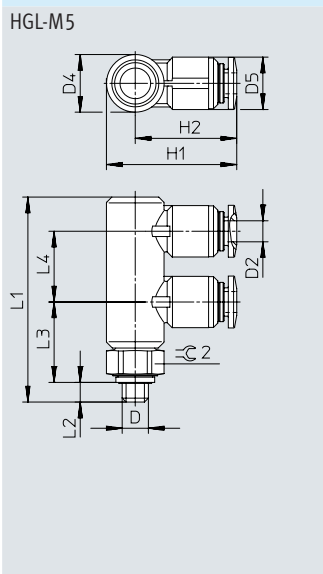


Piloted check valve	
[1] Swivel joint	Die-cast zinc
[2] Releasing ring	POM
[3] Hollow bolt	Anodised wrought aluminium alloy
- Seals, non-return collar	NBR
Note on materials	RoHS-compliant
	Free of copper and PTFE

Data sheet – Push-in connector

Dimensions

Download CAD data → www.festo.com



Type	D	D1	D2	D3 ∅	D4 ∅	D5 ∅	H1	H2	L1	L2	L3	L4	∅ 1	∅ 2
HGL-M5-QS-4	M5	–	4	–	11	10	24.9	19.4	39	4	15	13.5	–	10
HGL-1/8-QS-4	G1/8	M5	4	13.8	11.8	10.2	29.4	22.5	42.6	5.4	13.9	37.8	8	12
HGL-1/8-QS-6			6			12.5	32.6	25.7			13.2			
HGL-1/4-QS-8	G1/4	G1/8	8	17.8	16	14.5	39.6	30.7	50.8	6.5	16.6	44.5	12	16
HGL-1/4-QS-10			10			17.5	42	33.1			15.5			
HGL-3/8-QS-8	G3/8	G1/4	8	22.4	18.8	14.5	44.1	32.9	56.3	7	18.2	49.5	15	19
HGL-3/8-QS-10			10			17.5	46.7	35.5			18.2			
HGL-1/2-QS-12	G1/2	G3/8	12	27.8	23.5	20.5	55.3	41.4	75.8	8.8	22.4	–	–	24

† Note: This product conforms to ISO 1179-1 and ISO 228-1.

★ Core product range

Ordering data

	Pneumatic connection		Pilot air connection	Standard nominal flow rate 1 → 2 from 6 to 5 bar	Standard flow rate qn 1 → 2 from 6 to 0 bar	Weight	Part no.	Type
	2	1	21	[l/min]	[l/min]	[g]		
	M5	QS-4	QS-4	130	200	21	★ 530038	HGL-M5-QS-4 ¹⁾
	G1/8	QS-4	M5	200	300	18.4	★ 530039	HGL-1/8-QS-4 ¹⁾
		QS-6	M5	270	400	21.4	★ 530040	HGL-1/8-QS-6 ¹⁾
	G1/4	QS-8	G1/8	390	640	38.7	★ 530041	HGL-1/4-QS-8 ¹⁾
		QS-10	G1/8	400	670	45	★ 530042	HGL-1/4-QS-10 ¹⁾
	G3/8	QS-8	G1/4	830	1200	54.7	★ 530043	HGL-3/8-QS-8 ¹⁾
		QS-10	G1/4	890	1300	60.3	★ 530044	HGL-3/8-QS-10 ¹⁾
G1/2	QS-12	G3/8	1400	2100	116.9	★ 530045	HGL-1/2-QS-12 ¹⁾	

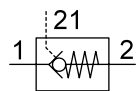
1) Sealing ring for male thread is included in the scope of delivery.

Festo core product range

- ★ Generally ready for shipping ex works in 24 hours
- ★ Generally ready for shipping ex works in 5 days

Data sheet – Female thread

Function



- - Flow rate
130 ... 1600 l/min
- - Temperature range
-10 ... +60°C
- - Operating pressure
0.05 ... 1 MPa



The piloted check valve is suitable for brief positioning and braking functions in pneumatic drives. Compressed air flows to and from the drive as long as a control signal is applied to pneumatic connection 21.

If no control signal is applied, the valve shuts off the exhaust air from the drive in flow direction 2 → 1 and the movement of the drive is stopped.

- Proven component suitable for use in safety-related systems
- Swivel joint can be turned after mounting
- Manual exhausting of air trapped in the cylinder with manual override HAB as an accessory → page 10

Note
If used in safety-related applications, additional measures are necessary, e.g. in Europe the standards listed under the EC Machinery Directive must be observed. Without additional measures in accordance with legally specified minimum requirements, the product is not suitable as a safety-related component in control systems.

General technical data						
Pneumatic connection 2		M5	G1/8	G1/4	G3/8	G1/2
Pneumatic connection 1		M5	G1/8	G1/4	G3/8	G1/2
Pilot air connection 21		M5	M5, G1/8	G1/8	G1/4	G3/8
Valve function		Piloted non-return function				
Actuation type		Pneumatic				
Type of mounting		Screw-in, via male thread				
Mounting position		Any				
Nominal tightening torque	[Nm]	1.25 ±10%	3.5 ±10%	11 ±10%	12.5 ±10%	14 ±10%

† Note: This product conforms to ISO 1179-1 and ISO 228-1.

Operating and environmental conditions						
Pneumatic connection 2		M5	G1/8	G1/4	G3/8	G1/2
Operating pressure for entire temperature range	[MPa]	0.05 ... 1				
	[bar]	0.5 ... 10				
	[psi]	7.25 ... 145				
Pilot pressure	[MPa]	0.2 ... 1			0.1 ... 1	
	[bar]	2 ... 10			1 ... 10	
	[psi]	29 ... 145			14.5 ... 145	
Operating/pilot medium		Compressed air to ISO 8573-1:2010 [7:4:4]				
Note on the operating/pilot medium		Lubricated operation possible (in which case lubricated operation will always be required)				
PWIS conformity		VDMA24364-B2-L				
Ambient temperature	[°C]	-10 ... +60				
Temperature of medium	[°C]	-10 ... +60				
Storage temperature	[°C]	-10 ... +60				
Corrosion resistance class CRC ¹⁾		2				
Maritime classification		See certificate ²⁾				

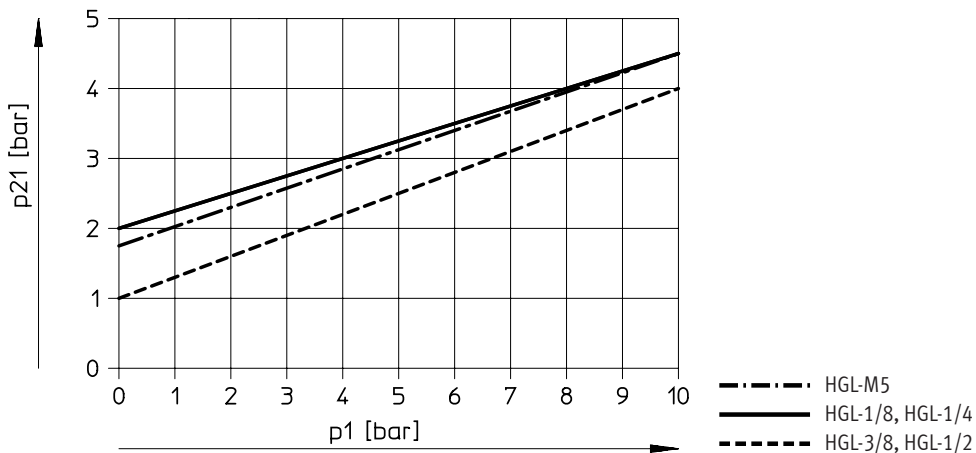
1) Corrosion resistance class CRC 2 to Festo standard FN 940070

Moderate corrosion stress. Indoor applications in which condensation can occur. External visible parts with primarily decorative surface requirements which are in direct contact with a normal industrial environment.

2) Additional information is available at www.festo.com/catalogue/... → Support/Downloads.

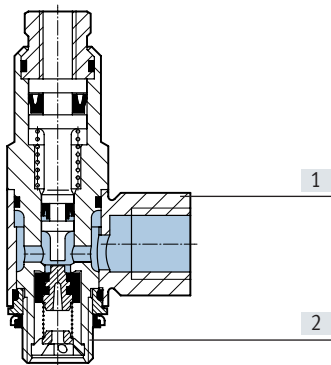
Data sheet – Female thread

Minimum pilot pressure p_{21} as a function of operating pressure p_1



Materials

Sectional view

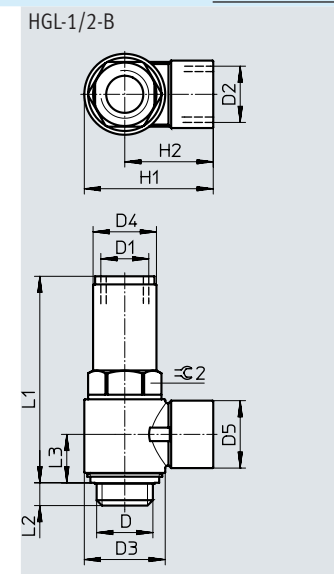
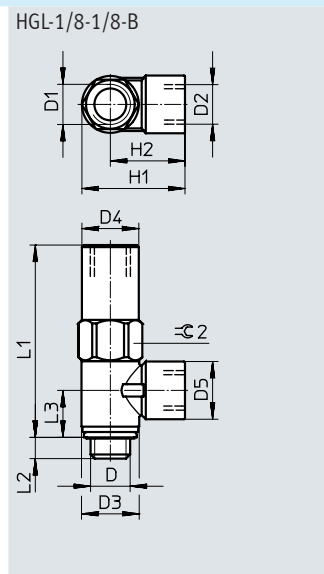
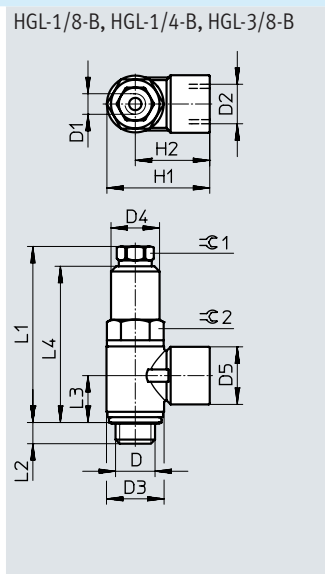
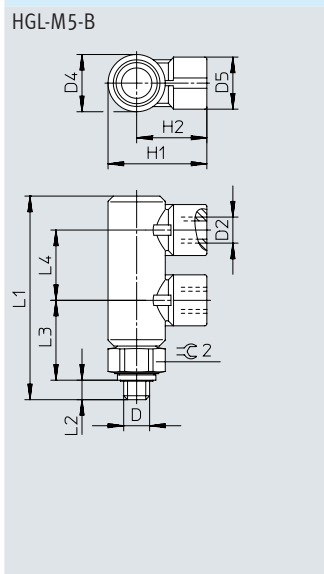


Piloted check valve	
[1] Swivel joint	Die-cast zinc
[2] Hollow bolt	Anodised wrought aluminium alloy
- Seals, non-return collar	NBR
Note on materials	RoHS-compliant
	Free of copper and PTFE

Data sheet – Female thread

Dimensions

Download CAD data → www.festo.com



Type	D	D1	D2	D3 ∅	D4 ∅	D5 ∅	H1	H2	L1	L2	L3	L4	∠1	∠2
HGL-M5-B	M5	–	M5	–	11	10	19	13.5	39	4	15	13.5	–	10
HGL-1/8-B	G1/8	M5	G1/8	14	11.8	14	25.1	18.1	42.6	5.4	11.2	37.8	8	12
HGL-1/8-1/8-B	G1/8	G1/8	G1/8	14	13.8	14	25.1	18.1	46.7	5.2	11.2	–	–	14
HGL-1/4-B	G1/4	G1/8	G1/4	18	16	17.5	34	25	50.8	6.5	13.5	44.5	12	16
HGL-3/8-B	G3/8	G1/4	G3/8	23.8	18.8	20	39.3	27.4	56.3	7	15.1	49.5	15	19
HGL-1/2-B	G1/2	G3/8	G1/2	30	23.5	25	47.8	32.8	75.8	8.8	17.7	–	–	24

† Note: This product conforms to ISO 1179-1 and ISO 228-1.

★ Core product range

Ordering data	Pneumatic connection		Pilot air connection	Standard nominal flow rate 1 → 2 from 6 to 5 bar [l/min]	Standard flow rate 1 → 2 from 6 to 0 bar [l/min]	Weight [g]	Part no.	Type
	2	1	21					
	M5	M5	M5	130	200	21	★ 530029	HGL-M5-B ¹⁾
	G1/8	G1/8	M5	300	430	20.8	★ 530030	HGL-1/8-B ¹⁾
			G1/8	300	430	26.2	★ 543253	HGL-1/8-1/8-B ¹⁾
	G1/4	G1/4	G1/8	550	680	41.2	★ 530031	HGL-1/4-B ¹⁾
	G3/8	G3/8	G1/4	1100	1500	62.9	★ 530032	HGL-3/8-B ¹⁾
	G1/2	G1/2	G3/8	1600	2100	129.4	★ 530033	HGL-1/2-B ¹⁾

1) Sealing ring for male thread is included in the scope of delivery.

Festo core product range

- ★ Generally ready for shipping ex works in 24 hours
- ★ Generally ready for shipping ex works in 5 days

Accessories

Manual override HAB

For check valve HGL

- In combination with check valve HGL for manual exhausting of air trapped in a cylinder

Material:

Housing: Anodised wrought aluminium alloy

Note on materials:

RoHS-compliant



General technical data					
Pneumatic connection 2		G1/8	G1/4	G3/8	G1/2
Pneumatic connection 1		G1/8	G1/4	G3/8	G1/2
Nominal size	[mm]	4.1	7	11	14
Valve function		Exhaust component			
Type of mounting		Screw-in			
Mounting position		Any			
Standard flow rate exhaust	[l/min]	165			
		0.6 → 0.5 MPa			
Max. tightening torque	[Nm]	8	15	35	45

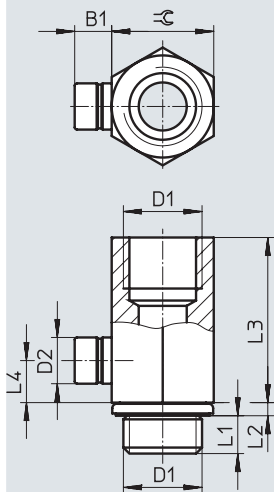
Operating and environmental conditions	
Operating pressure	[bar] 0 ... 10
Operating medium	Compressed air to ISO 8573-1:2010 [7:4:4]
PWIS conformity	VDMA24364-B1/B2-L
Note on the operating/pilot medium	Lubricated operation possible (in which case lubricated operation will always be required)
Ambient temperature	[°C] -20 ... +80
Temperature of medium	[°C] -20 ... +80
Corrosion resistance class CRC ¹⁾	2

1) Corrosion resistance class CRC 2 to Festo standard FN 940070

Moderate corrosion stress. Indoor applications in which condensation can occur. External visible parts with primarily decorative surface requirements which are in direct contact with a normal industrial environment.

Dimensions

Download CAD data → www.festo.com



Dimensions and ordering data										
Connection	B1	D1	D2 ∅	L1	L2	L3	L4	≡	Part no.	Type
G1/8	6.2	G1/8	7.7	4.7	1.8	19.1	5	13	184585	HAB-1/8
G1/4	6.2	G1/4	7.7	5.8	2.2	28	7	17	184586	HAB-1/4
G3/8	6.2	G3/8	7.7	6.05	3.35	28.4	7	19	184587	HAB-3/8
G1/2	6.2	G1/2	7.7	7.9	2.6	38.5	7	24	184588	HAB-1/2

† Note: This product conforms to ISO 1179-1 and ISO 228-1.

Festo - Your Partner in Automation



1 Festo Inc.
5300 Explorer Drive
Mississauga, ON L4W 5G4
Canada

Festo Customer Interaction Center
Tel: 1 877 463 3786
Fax: 1 877 393 3786
Email: customer.service.ca@festo.com



2 Festo Pneumatic
Av. Ceylán 3,
Col. Tequesquináhuac
54020 Tlalnepantla,
Estado de México

Multinational Contact Center
01 800 337 8669
ventas.mexico@festo.com



3 Festo Corporation
1377 Motor Parkway
Suite 310
Islandia, NY 11749

Festo Customer Interaction Center
1 800 993 3786
1 800 963 3786
customer.service.us@festo.com



4 Regional Service Center
7777 Columbia Road
Mason, OH 45040

Connect with us



www.festo.com/socialmedia



www.festo.com

Subject to change