

## Toothed belt axes ELGG

**FESTO**



# Toothed belt axes ELGG

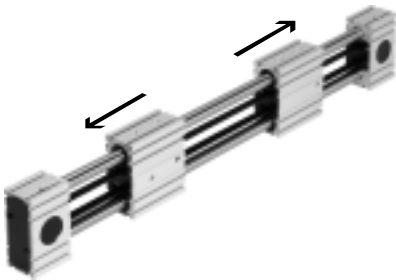
Key features



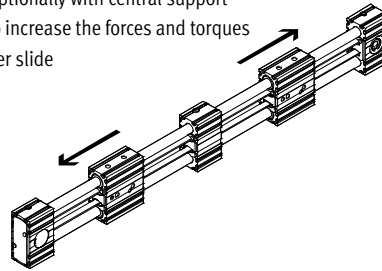
## At a glance

- Toothed belt axis with two opposing slides
- Optimum price/performance ratio
- Ready-to-install unit for quick and easy design
- High reliability thanks to a tested service life of 2500 km per slide
- Motor can be mounted on four sides using identical mounting accessories
- Complete kit for a simple and space-saving solution for end-position sensing
- Plain-bearing guide
  - For small loads
  - Restricted operating behaviour with torque load
  - Not backlash-free guide
- Recirculating ball bearing guide
  - For medium loads
  - Very good operating behaviour with torque load
  - Backlash-free guide (preloaded guide elements)

## Opposing movement, controlled via a motor



Optionally with central support to increase the forces and torques per slide



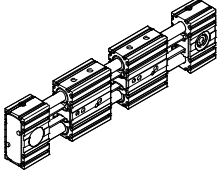
## Application examples

- Suitable for sorting, separating and spreading
- For opening doors
- For gripping tasks with small loads
- Positioning and handling with low process forces
- Centring and aligning


## Characteristic values of the axes

The specifications shown in the table are maximum values.

The precise values for each of the variants can be found in the relevant technical data.

Version	Size	Working stroke per slide [mm]	Speed [m/s]	Repetition accuracy [mm]	Feed force <sup>1)</sup> [N]	Guide characteristics				
						Forces and torques				
						Fy [N]	Fz [N]	Mx [Nm]	My [Nm]	Mz [Nm]
	35	50 ... 700	3	±0.1	50	50	50	2.5	20	20
	45	50 ... 900	3	±0.1	100	100	100	5	40	40
	55	50 ... 1200	3	±0.1	350	300	300	15	124	124

1) Combined feed force of both slides

-  - Note

PositioningDrives  
sizing software  
[www.festo.com](http://www.festo.com)

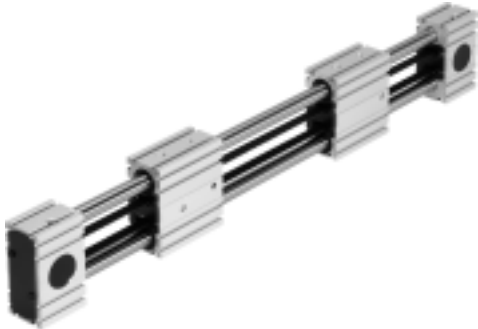
# Toothed belt axes ELGG

Key features

FESTO

## Complete system comprising toothed belt axis, motor, motor controller and motor mounting kit

Toothed belt axis with recirculating ball bearing guide or plain-bearing guide



### Motor

→ page 18



- 1 Servo motor EMME-AS, EMMS-AS
- 2 Stepper motor EMMS-ST

-  - Note

A range of specially adapted complete solutions is available for the toothed belt axis ELGG and the motors.

### Motor controller

Technical data → Internet: motor controller



- 1 Servo motor controller CMMP-AS
- 2 Stepper motor controller CMMS-ST

### Motor mounting kit

→ page 18

#### Axial kit



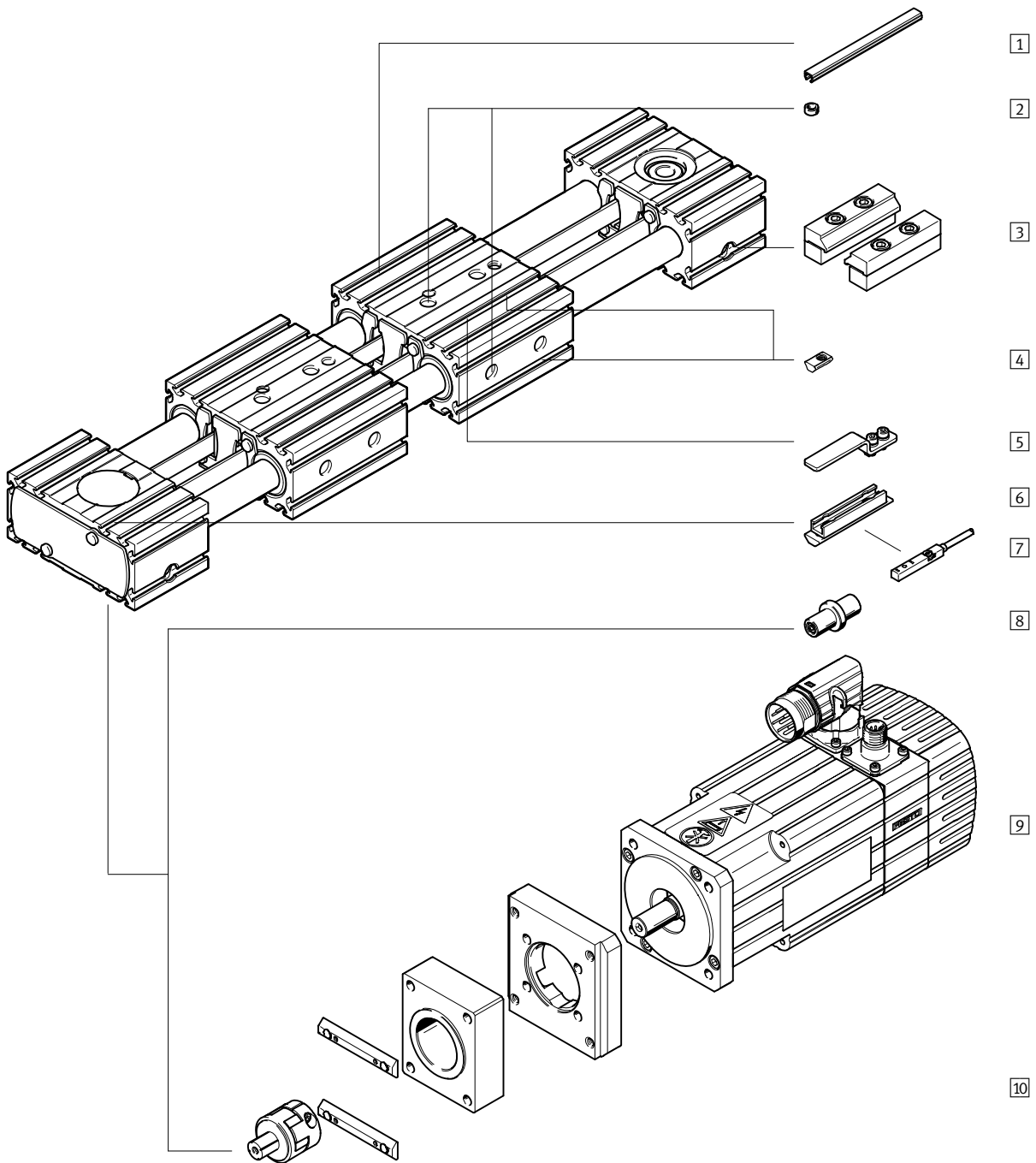
#### Kit comprising:

- Motor flange
- Coupling housing
- Coupling
- Screws
- Slot nuts

# Toothed belt axes ELGG

Peripherals overview

FESTO



# Toothed belt axes ELGG

Peripherals overview

Variants and accessories		
Type	Description	→ Page/Internet
1 Slot cover NC	<ul style="list-style-type: none"> <li>For protecting against ingress of dirt</li> </ul>	23
2 Centring sleeve ZBH	<ul style="list-style-type: none"> <li>For centring loads and attachments on the slide</li> <li>4 centring sleeves included in the scope of delivery of the axis</li> </ul>	23
3 Profile mounting MA	For mounting the axis on the bearing cap	22
4 Slot nut NM	For mounting attachments	23
5 Switching lug SA, SB	For sensing the slide position	22
6 Sensor bracket SA, SB	Adapter for mounting the inductive proximity sensors on the axis	22
7 Proximity sensor, T-slot SA, SB	<ul style="list-style-type: none"> <li>Inductive proximity sensor, for T-slot</li> <li>1 switching lug and 1 sensor bracket are included in the scope of delivery with the order code SA, SB</li> </ul>	24
8 Drive shaft EA	<ul style="list-style-type: none"> <li>Can, if required, be used as an alternative interface</li> <li>No drive shaft is required for the axis/motor combination → page 18</li> </ul>	23
9 Motor EMME, EMMS	Motors specially matched to the axis, with or without brake	18
10 Axial kit EAMM	For axial motor mounting (comprising: coupling, coupling housing and motor flange)	18
– Connecting cable NEBU	For proximity sensor (order code SA and SB)	24

# Toothed belt axes ELGG

Type codes

ELGG - TB - - 45 - 500 - 30H - L - - M

Type	
ELGG	Linear axis
Drive function	
TB	Toothed belt
Guide	
-	Recirculating ball bearing guide
GF	Plain-bearing guide
Size	
Stroke per slide [mm]	
Stroke reserve per slide	
Slide	
-	Standard slide
L	Long slide
Additional slide	
-	No additional slide
ZB	1 slide on right, 1 slide on left
Additional function	
-	None
M	Central support

# Toothed belt axes ELGG

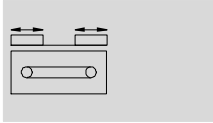
Type codes




→	+	2SA		4NM	EA	2MA
<b>Proximity sensor</b>						
...SA	Proximity sensor (SIES), inductive, T-slot, PNP, N/O contact, cable 7.5 m					
...SB	Proximity sensor (SIES), inductive, T-slot, PNP, N/C contact, cable 7.5 m					
<b>Cover</b>						
...NC	For mounting slot					
<b>Slot nut</b>						
...NM	For mounting slot					
<b>Drive shaft</b>						
...EA	Drive shaft					
<b>Profile mounting</b>						
...MA	Profile mounting					

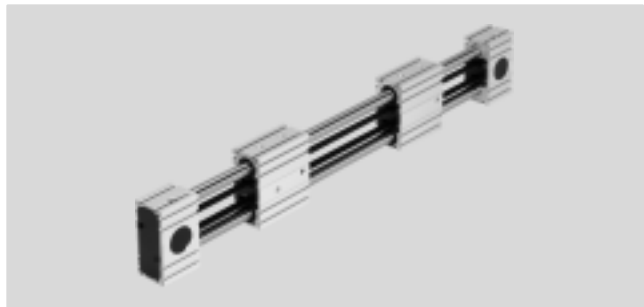
# Toothed belt axes ELGG

## Technical data

### Function



-  Size  
35 ... 55
-  Stroke length  
50 ... 1200 mm
-  [www.festo.com](http://www.festo.com)



General technical data				
Size		35	45	55
Design		Electromechanical linear axis with toothed belt		
Guide		Recirculating ball bearing guide		
		Plain-bearing guide		
Mounting position		Any		
Working stroke per slide	[mm]	50 ... 700	50 ... 900	50 ... 1200
Max. feed force $F_x^{1)}$	[N]	50	100	350
Max. no-load torque	[Nm]	0.18	0.3	0.5
Max. driving torque	[Nm]	0.46	1.24	5
Max. no-load resistance to shifting	[N]	10.8	16.1	27.9
Max. speed				
	Recirculating ball bearing guide	[m/s]	3	
	Plain-bearing guide	[m/s]	1	
Max. acceleration <sup>2)</sup>	[m/s <sup>2</sup> ]	50		
Repetition accuracy	[mm]	±0.1		

- 1) Combined feed force of both slides
- 2) The max. acceleration is dependent on the moving load, the driving torque and the max. feed force

Operating and environmental conditions			
Ambient temperature			
	Recirculating ball bearing guide	[°C]	-10 ... +50
	Plain-bearing guide	[°C]	0 ... +40
Protection class			IP20
Duty cycle		[%]	100

Weight [kg]				
Size		35	45	55
Recirculating ball bearing guide				
Basic weight with 0 mm stroke <sup>1)</sup>				
	Standard slide	1.9	4.2	7.2
	Long slide	2.6	6.0	10.3
Additional weight per 1,000 mm stroke		4.9	10.0	15.6
Moving load		0.8	1.7	2.9
Slide				
	Standard slide	0.8	1.7	2.9
	Long slide	1.3	3.0	5.2
Additional slide		0.6	1.5	2.6
Central support		0.2	0.5	0.7

- 1) Incl. 2 slides, without central support



# Toothed belt axes ELGG

Technical data

FESTO

Weight [kg]			
Size	35	45	55
Plain-bearing guide			
Basic weight with 0 mm stroke <sup>1)</sup>			
Standard slide	1.9	4.3	7.2
Long slide	2.7	6.2	10.8
Additional weight per 1,000 mm stroke	4.9	10.0	15.6
Moving load	0.8	1.7	3.0
Slide			
Standard slide	0.8	1.7	3.0
Long slide	1.5	3.2	5.6
Additional slide	0.6	1.5	2.6
Central support	0.2	0.5	0.7

1) Incl. 2 slides, without central support

Toothed belt			
Size	35	45	55
Pitch [mm]	2	3	3
Expansion [%]	0.094	0.08	0.21
Width [mm]	10	15	19.3
Effective diameter [mm]	18.46	24.83	28.65
Feed constant [mm/rev.]	58	78	90

Mass moment of inertia			
Size	35	45	55
J <sub>0</sub>			
Standard slide [kg mm <sup>2</sup> ]	76.12	289.55	656.98
Long slide [kg mm <sup>2</sup> ]	128.6	522.01	1212.78
J <sub>S</sub> per metre stroke [kg mm <sup>2</sup> /m]	0.26	1.1	1.9
J <sub>L</sub> per kg effective load [kg mm <sup>2</sup> /kg]	85	154	205
J <sub>W</sub> Additional slide [kg mm <sup>2</sup> ]	55	224	533

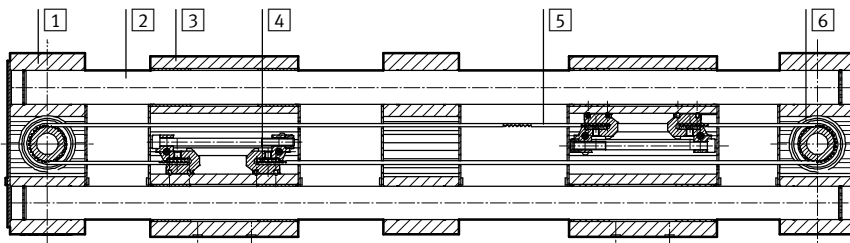
The mass moment of inertia J<sub>A</sub> of the entire axis is calculated as follows:

$$J_A = J_0 + K \times J_W + J_S \times \text{working stroke [m]} + J_L \times m_{\text{effective load [kg]}}$$

K = Number of additional slides

## Materials

Sectional view



Axis		
1	Bearing cap, profile	Anodised wrought aluminium alloy
2	Guide rods	Tempered steel, hardened and hard-chromium plated
3	Slide, profile	Anodised wrought aluminium alloy
4	Toothed belt clamping component	Beryllium bronze
5	Toothed belt	Polychloroprene with glass cord and nylon coating
6	Pulley	High-alloy stainless steel
Note on materials		RoHS-compliant Contains PWIS (paint-wetting impairment substances)

# Toothed belt axes ELGG

Technical data

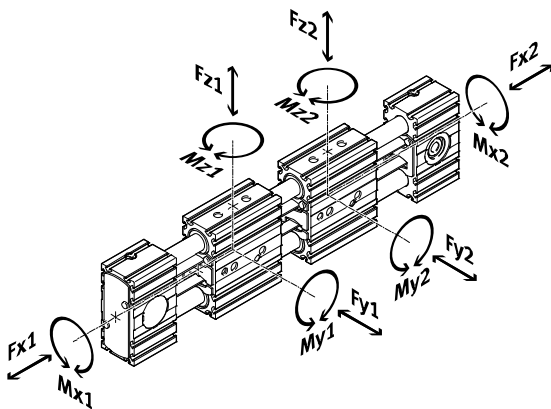
## Characteristic load values

The indicated forces and torques refer to the centre of the guide. The point of application of force is the point where the centre of the guide and the longitudinal centre of the slide intersect.

These values must not be exceeded during dynamic operation. Special attention must be paid to the cushioning phase.

### Without central support

The point of application of force is the point where the centre of the guide and the centre point between the two bearing caps intersect.

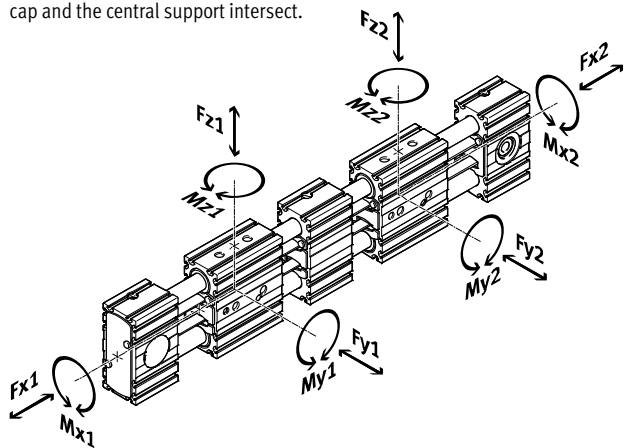


If the axis is subjected to more than two of the indicated forces and torques simultaneously, the following

equation must be satisfied in addition to the indicated maximum loads:

### With central support

The point of application of force is the point where the centre of the guide and the centre point between the bearing cap and the central support intersect.



### Without central support

Calculating the load comparison factor:

$$f_v = \frac{|F_{y1,dyn}| + |F_{y2,dyn}|}{F_{Ymax.}} + \frac{|F_{z1,dyn}| + |F_{z2,dyn}|}{F_{Zmax.}} + \frac{|M_{x1,dyn}| + |M_{x2,dyn}|}{M_{Xmax.}} + \frac{|M_{y1,dyn}| + |M_{y2,dyn}|}{M_{Ymax.}} + \frac{|M_{z1,dyn}| + |M_{z2,dyn}|}{M_{Zmax.}} \leq 1$$

### With central support

Calculating the load comparison factor:

$$f_v = \frac{|F_{y1,dyn}|}{F_{Ymax.}} + \frac{|F_{z1,dyn}|}{F_{Zmax.}} + \frac{|M_{x1,dyn}|}{M_{Xmax.}} + \frac{|M_{y1,dyn}|}{M_{Ymax.}} + \frac{|M_{z1,dyn}|}{M_{Zmax.}} \leq 1$$

$$f_v = \frac{|F_{y2,dyn}|}{F_{Ymax.}} + \frac{|F_{z2,dyn}|}{F_{Zmax.}} + \frac{|M_{x2,dyn}|}{M_{Xmax.}} + \frac{|M_{y2,dyn}|}{M_{Ymax.}} + \frac{|M_{z2,dyn}|}{M_{Zmax.}} \leq 1$$

## Permissible forces and torques for a service life of 2500 km per slide

Guide	Plain-bearing guide			Recirculating ball bearing guide		
	Size	35	45	55	35	45
F <sub>Ymax.</sub> , F <sub>Zmax.</sub> [N]	50	100	300	50	100	300
Standard slide						
M <sub>Xmax.</sub> [Nm]	1	2.5	5	2.5	5	15
M <sub>Ymax.</sub> [Nm]	4	8	16	8	16	48
M <sub>Zmax.</sub> [Nm]	4	8	16	8	16	48
Long slide						
M <sub>Xmax.</sub> [Nm]	1	2.5	5	2.5	5	15
M <sub>Ymax.</sub> [Nm]	10	20	40	20	40	124
M <sub>Zmax.</sub> [Nm]	10	20	40	20	40	124

# Toothed belt axes ELGG

Technical data

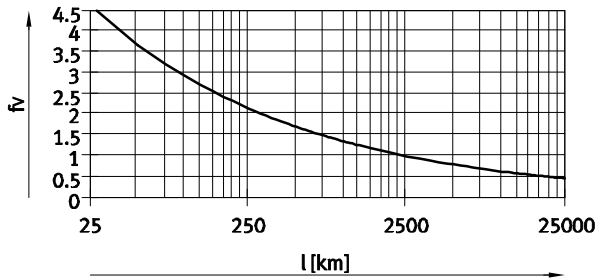
## Service life

The service life of the guide depends on the load. To provide a rough indication of the service life of the guide, the graph below plots the load comparison factor  $f_v$  against the service life.

These values are only theoretical. Consultation with your local contact person at Festo is mandatory for load

comparison factors  $f_v$  greater than 1.5.

Load comparison factor  $f_v$  as a function of service life



Example:

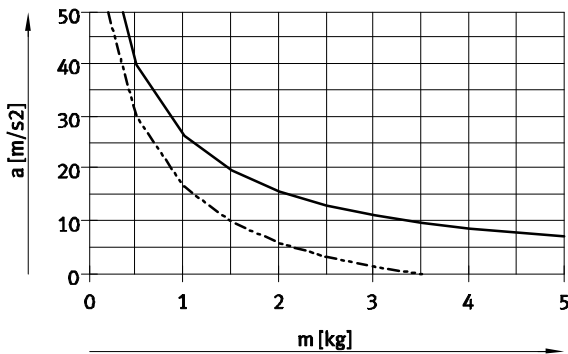
A user wants to move an X kg load. Using the formula → page 10 gives a value of 1.5 for the load comparison factor  $f_v$ . According to the graph, the guide would have a service life of

approx. 750 km. Reducing the acceleration reduces the  $M_z$  and  $M_y$  values. A load comparison factor of 1 now gives a service life of 2500 km.

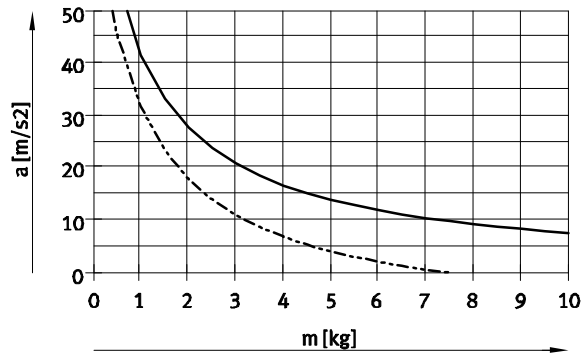
Note  
PositioningDrives  
sizing software  
www.festo.com

## Maximum acceleration $a$ as a function of applied load $m$

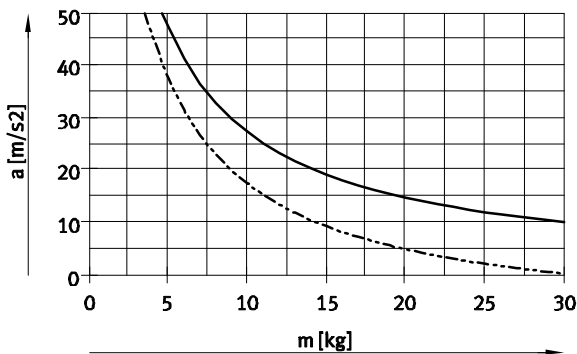
ELGG-35



ELGG-45



ELGG-55



Note  
For the plain-bearing guide (GF) it is recommended to reduce the acceleration to minimise overshings and increase positioning accuracy.

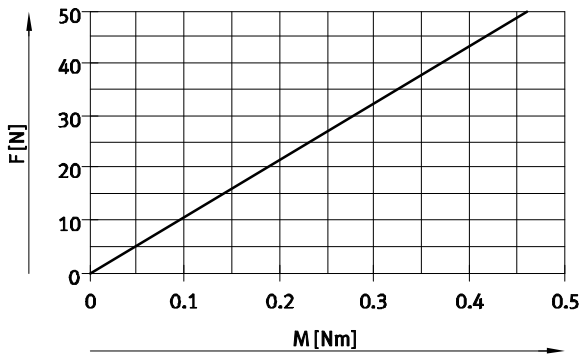
— Horizontal  
- - - Vertical

# Toothed belt axes ELGG

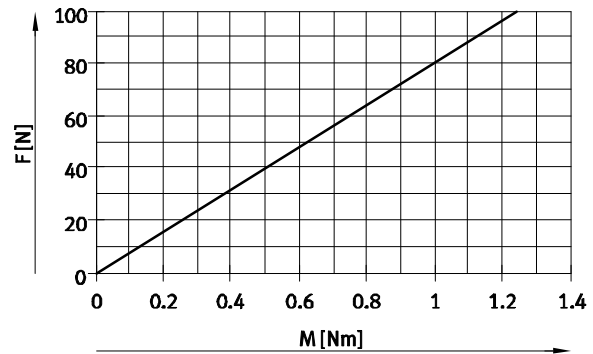
Technical data

## Feed force $F_x$ as a function of input torque M

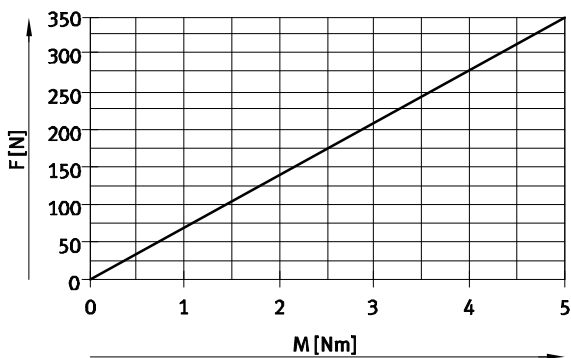
ELGG-35



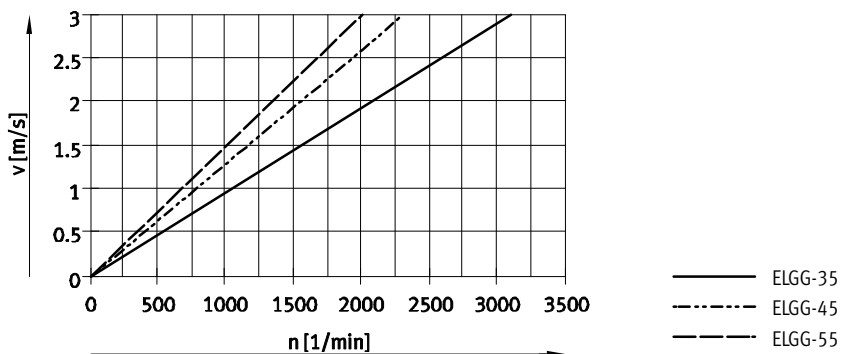
ELGG-45



ELGG-55



## Speed v as a function of rotational speed n



## Min. nominal stroke

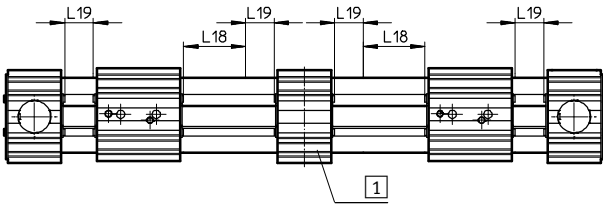
With standard slide or long slide L with additional slide ZB

Size	35		45		55	
Variant	-/L	ZB	-/L	ZB	-/L	ZB
Min. nominal stroke [mm]	50	126	50	146	50	166

# Toothed belt axes ELGG

Technical data

## Stroke reserve



- L18 = Nominal stroke
- L19 = Stroke reserve
- 1 Central support

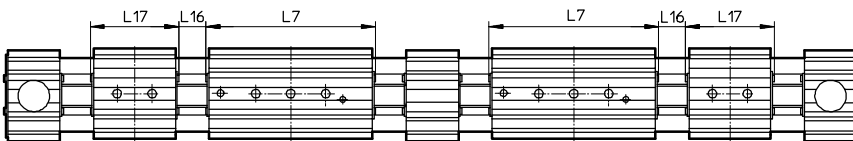
- The stroke reserve is a safety distance from the mechanical end position and is not used in normal operation
- The sum of the nominal stroke and 2x stroke reserve must not exceed the maximum permissible working stroke
- The stroke reserve length can be freely selected
- The stroke reserve is defined via the “stroke reserve” attribute in the modular product system

### Example:

Type ELGG-TB-45-500-20H-...  
 Nominal stroke = 500 mm  
 2x stroke reserve = 40 mm  
 Working stroke per slide = 540 mm  
 (540 mm = 500 mm + 2x 20 mm)

## Working stroke reduction

With standard slide or long slide L with additional slide ZB



- L7 = Slide length
- L16 = Distance between both slides
- L17 = Additional slide length

- With a toothed belt axis with additional slide, the working stroke is reduced by the length of the additional slide and the distance between both slides
- If the variant long slide L is ordered, the additional slide is not extended

### Example:

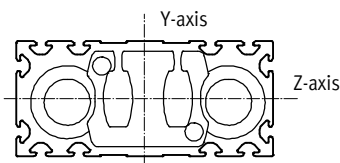
Type ELGG-TB-35-500-...-ZR  
 Working stroke = 500 mm  
 L16 = 10 mm  
 L7 = 146 mm  
 L17 = 76 mm

Working stroke per slide with additional slide = 414 mm  
 (500 mm – 10 mm – 76 mm)

## Dimensions – Additional slide

Size	35	45	55
Length L17 [mm]	76	96	116
Distance between the slides L16 [mm]	≥ 0		

## 2nd moment of area



Size	35	45	55
ly [mm <sup>4</sup> ]	4.19x10 <sup>3</sup>	17.95x10 <sup>3</sup>	41.18x10 <sup>3</sup>
lz [mm <sup>4</sup> ]	3.77x10 <sup>3</sup>	15.71x10 <sup>3</sup>	38.35x10 <sup>3</sup>

## Recommended deflection limits

It is recommended to adhere to a maximum deflection of 0.5 mm so as not to impair the functionality of the axes. Greater deformation can result in increased friction, greater wear and reduced service life.

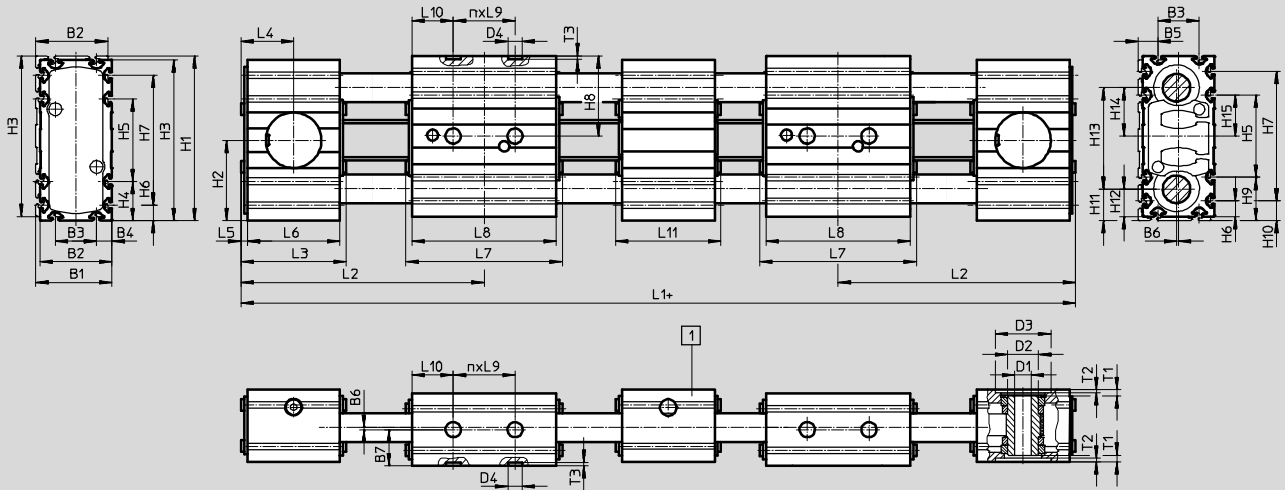
# Toothed belt axes ELGG

Technical data



## Dimensions

Download CAD data → [www.festo.com](http://www.festo.com)



- - Note

With the size 35 and stroke > 350 mm,  
 size 45 and stroke > 450 mm,  
 size 55 and stroke > 700 mm,  
 the toothed belt axis is always supplied with  
 central support M.

+ Plus 2x stroke + 4x stroke reserve + L11

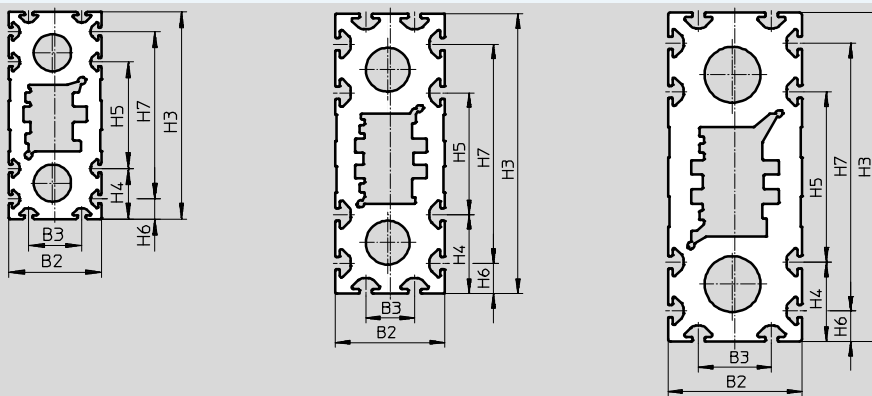
**1** Central support

## Profile

ELGG-35

ELGG-45

ELGG-55



# Toothed belt axes ELGG

Technical data

Size	B1	B2	B3	B4	B5	B6	B7	D1 ∅ H7	D2 ∅	D3 ∅ H7	D4 ∅ H7	H1	H2	H3
ELGG-35	37	35	20	7.5	9.5	1	17.5	8	15	27	7	80	39	78
ELGG-35-L														
ELGG-45	47	45	20	12.5	14.5		22.5	10	20	38		117	57.5	115
ELGG-45-L														
ELGG-55	57	55	30	12.5	14.5		27.5	16	25	48		137	67.5	135
ELGG-55-L														

Size	H4	H5	H6	H7	H8	H9	H10	H11	H12	H13	H14	H15	L1	L2
ELGG-35	19	40	7.5	63	39	21	9.5	15.5	13.5	49	23.5	20	259	89
ELGG-35-L													399	124
ELGG-45	32.5	50	12.5	90	57.5	34.5	14.5	23	21	71	34.5	25	317	108
ELGG-45-L													497	153
ELGG-55	32.5	70	12.5	110	67.5	34.5	14.5	25.5	23.5	86	42	35	361	120
ELGG-55-L													581	175

Size	L3	L4	L5	L6	L7	L8	L9	L10	L11	n	T1	T2	T3 +0.1
ELGG-35	51	25.5	3	45	76	70	30	20	51	1	3.1	1.6	1.6
ELGG-35-L					146	140		40		2			
ELGG-45	60	30		54	96	90	40	25	60	1	3	1.7	
ELGG-45-L					186	180		50		2			
ELGG-55	62	31		56	116	110	40	35	62	1	4.5	2	
ELGG-55-L					226	220		70		2			

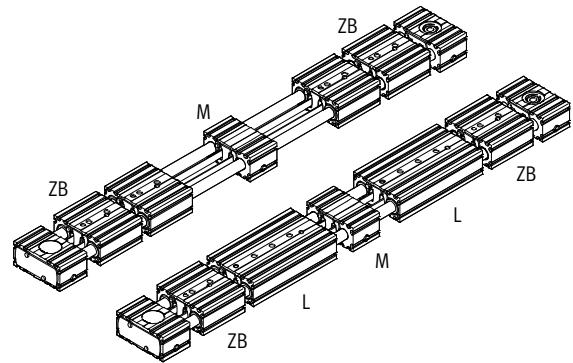
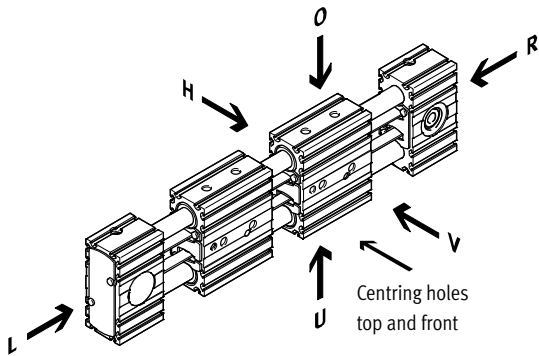
# Toothed belt axes ELGG

Ordering data – Modular products



## Order code

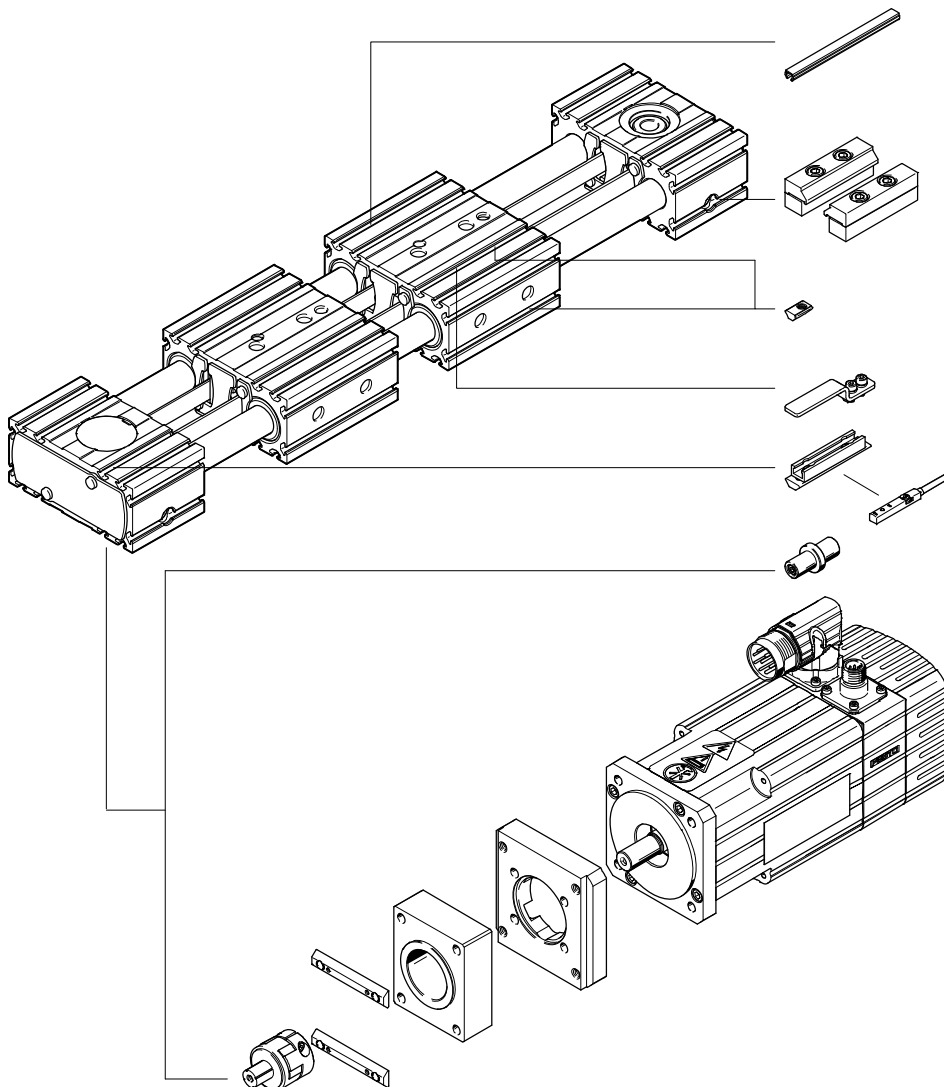
Axis



O top  
U underneath  
R right  
L left  
V front  
H rear

L Long slide  
ZB Additional slide  
M Central support

## Accessories



NC

MA

NM

SA, SB

SA, SB

EA

Servo motor  
Stepper motor  
→ page 18

Axial kit  
→ page 18



# Toothed belt axes ELGG

Ordering data – Modular products

Ordering table									
Size	35		45		55		Condi- tions	Code	Enter code
[M] Module no.	571058		571059		571060				
Design	Linear axis							ELGG	ELGG
Function	Toothed belt							-TB	-TB
[O] Guide	Recirculating ball bearing guide								
	Plain-bearing guide							-GF	
[M] Size [mm]	35		45		55			-...	-...
Stroke length per slide [mm]	1 ... 700		1 ... 900		1 ... 1200			-...	-...
Stroke reserve per slide	0 ... 999 (0 = no stroke reserve)						[1]	-...H	
[O] Slide design	Standard slide								
	Long slide							-L	
Additional slide	No additional slide								
	1 slide on right, 1 slide on left						[2]	-ZB	
Additional function	None								
	Central support						[3]	-M	
Accessories	Accessories enclosed separately							+	+
Proximity sensor (SIES), inductive, T-slot, PNP, incl. switching lug	N/O contact, cable 7.5 m	1 ... 6						...SA	
	N/C contact, cable 7.5 m	1 ... 6						...SB	
Mounting slot cover	-		1 ... 50 (1 = 2 units, 500 mm)					...NC	
Slot nut for mounting slot	1 ... 99							...NM	
Drive shaft	1 ... 4							...EA	
Profile mounting	1 ... 2							...MA	

[1] The sum of the nominal stroke and 2x stroke reserve must be at least 50 mm and must not exceed the maximum stroke length.

[3] M With the size 35 and stroke > 350 mm, size 45 and stroke > 450 mm, size 55 and stroke > 700 mm, the toothed belt axis is always supplied with central support M.

[2] ZB Working stroke reduction → page 13

Size	35		45		55	
Variant	-/L	ZB	-/L	ZB	-/L	ZB
Min. nominal stroke [mm]	50	126	50	146	50	166

### Transfer order code

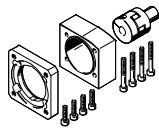
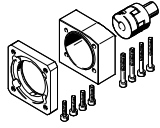
# Toothed belt axes ELGG

Accessories

FESTO

 Note

Depending on the combination of motor and drive, it may not be possible to reach the maximum feed force of the drive.

Permissible axis/motor combinations with axial kit		Technical data → Internet: eamm-a	
Motor/gear unit <sup>1)</sup>	Axial kit		
			
Type	Part No.	Type	
<b>ELGG-35</b>			
With servo motor			
<b>EMMS-AS-55-...</b>	<b>1133400</b>	<b>EAMM-A-R27-55A</b>	
With servo motor and gear unit			
<b>EMME-AS-40-...</b>	<b>1456622</b>	<b>EAMM-A-R27-40G</b>	
<b>EMGA-40-P-G...-EAS-40</b>			
<b>EMMS-AS-40-...</b>	<b>1456622</b>	<b>EAMM-A-R27-40G</b>	
<b>EMGA-40-P-G...-SAS-40</b>			
With servo motor and angled gear unit			
<b>EMME-AS-40-...</b>	<b>1456622</b>	<b>EAMM-A-R27-40G</b>	
<b>EMGA-40-A-G...-40P</b>			
With stepper motor			
<b>EMMS-ST-57-...</b>	★ <b>1133403</b>	<b>EAMM-A-R27-57A</b>	
With stepper motor and gear unit			
<b>EMMS-ST-42-...</b>	<b>1456622</b>	<b>EAMM-A-R27-40G</b>	
<b>EMGA-40-P-G...-SST-42</b>			
With integrated drive			
<b>EMCA-EC-67-...</b>	<b>1456619</b>	<b>EAMM-A-R27-67A</b>	
With integrated drive and gear unit			
<b>EMCA-EC-67-...</b>	<b>1456622</b>	<b>EAMM-A-R27-40G</b>	
<b>EMGC-40-...</b>			

1) The input torque must not exceed the maximum permissible transferable torque of the axial kit.

Festo core product range

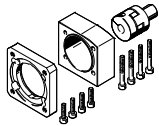
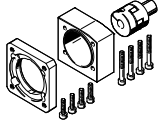
★ Generally ready for shipping ex works in 24 hours

☆ Generally ready for shipping ex works in 5 days

# Toothed belt axes ELGG

Accessories

FESTO

Permissible axis/motor combinations with axial kit		Technical data → Internet: eamm-a
Motor/gear unit <sup>1)</sup>	Axial kit	
		
Type	Part No.	Type
<b>ELGG-45</b>		
With servo motor		
EMMT-AS-60-...	★ 2224996	EAMM-A-R38-60P
EMME-AS-60-...	★ 2224996	EAMM-A-R38-60P
EMMS-AS-70-...	1133401	EAMM-A-R38-70A
With servo motor and gear unit		
EMME-AS-40-...	1456623	EAMM-A-R38-40G
EMGA-40-P-G...-EAS-40		
EMMS-AS-40-...	1456623	EAMM-A-R38-40G
EMGA-40-P-G...-SAS-40		
EMMS-AS-55-...	2310075	EAMM-A-R38-60G
EMGA-60-P-G...-SAS-55		
EMMT-AS-60-...	1456630	EAMM-A-R38-60H
EMGA-60-P-G...-EAS-60		
EMME-AS-60-...	1456630	EAMM-A-R38-60H
EMGA-60-P-G...-EAS-60		
EMMS-AS-70-...	2310075	EAMM-A-R38-60G
EMGA-60-P-G...-SAS-70		
With servo motor and angled gear unit		
EMME-AS-40-...	1456623	EAMM-A-R38-40G
EMGA-40-A-G...-40P		
EMMT-AS-60-...	1456630	EAMM-A-R38-60H
EMGA-60-A-G...-60P		
EMME-AS-60-...	1456630	EAMM-A-R38-60H
EMGA-60-A-G...-60P		
With stepper motor		
EMMS-ST-57-...	★ 1578138	EAMM-A-R38-57A
EMMS-ST-87-...	★ 1133404	EAMM-A-R38-87A
With stepper motor and gear unit		
EMMS-ST-42-...	1456623	EAMM-A-R38-40G
EMGA-40-P-G...-SST-42		
EMMS-ST-57-...	2310075	EAMM-A-R38-60G
EMGA-60-P-G...-SST-57		
With integrated drive and gear unit		
EMCA-EC-67-...	1456623	EAMM-A-R38-40G
EMGC-40-...		
EMCA-EC-67-...	1456630	EAMM-A-R38-60H
EMGC-60-...		

1) The input torque must not exceed the maximum permissible transferable torque of the axial kit.

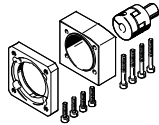
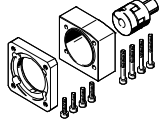
Festo core product range

- ★ Generally ready for shipping ex works in 24 hours
- ☆ Generally ready for shipping ex works in 5 days

# Toothed belt axes ELGG

Accessories

FESTO

Permissible axis/motor combinations with axial kit		Technical data → Internet: eamm-a
Motor/gear unit <sup>1)</sup>	Axial kit	
		
Type	Part No.	Type
<b>ELGG-55</b>		
With servo motor		
EMMS-AS-70-...	1578139	EAMM-A-R48-70A
EMME-AS-80-...	★ 2225090	EAMM-A-R48-80P
EMMS-AS-100-...	★ 1133402	EAMM-A-R48-100A
With servo motor and gear unit		
EMMS-AS-55-...	2374780	EAMM-A-R48-60G
EMGA-60-P-G...-SAS-55		
EMMT-AS-60-...	1456633	EAMM-A-R48-60H
EMGA-60-P-G...-EAS-60		
EMME-AS-60-...	1456633	EAMM-A-R48-60H
EMGA-60-P-G...-EAS-60		
EMMS-AS-70-...	2374780	EAMM-A-R48-60G
EMGA-60-P-G...-SAS-70		
With servo motor and angled gear unit		
EMMT-AS-60-...	1456633	EAMM-A-R48-60H
EMGA-60-A-G...-60P		
EMME-AS-60-...	1456633	EAMM-A-R48-60H
EMGA-60-A-G...-60P		
With stepper motor		
EMMS-ST-87-...	★ 1133405	EAMM-A-R48-87A
With stepper motor and gear unit		
EMMS-ST-57-...	2374780	EAMM-A-R48-60G
EMGA-60-P-G...-SST-57		
With integrated drive and gear unit		
EMCA-EC-67-...	1456633	EAMM-A-R48-60H
EMGC-60-...		

1) The input torque must not exceed the maximum permissible transferable torque of the axial kit.

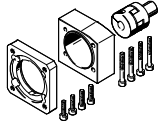
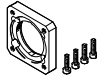
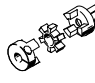
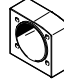
Festo core product range

- ★ Generally ready for shipping ex works in 24 hours
- ☆ Generally ready for shipping ex works in 5 days

# Toothed belt axes ELGG

Accessories

FESTO

Permissible axis/motor combinations with axial kit			Technical data → Internet: eamm-a
Axial kit	Axial kit comprises:		
	Motor flange	Coupling	Coupling housing
			
Part No. Type	Part No. Type	Part No. Type	Part No. Type
<b>ELGG-35</b>			
1456622 EAMM-A-R27-40G	1460097 EAMF-A-38A-40G	557998 EAMD-19-15-10-8X10	1133397 EAMK-A-R27-38A
1133400 EAMM-A-R27-55A	558176 EAMF-A-38A-55A	557999 EAMD-19-15-9-8X10	1133397 EAMK-A-R27-38A
★ 1133403 EAMM-A-R27-57A	560692 EAMF-A-38A-57A	561292 EAMD-16-15-6.35-8X10	1133397 EAMK-A-R27-38A
1456619 EAMM-A-R27-67A	1490100 EAMF-A-38A-67A	557999 EAMD-19-15-9-8X10	1133397 EAMK-A-R27-38A
<b>ELGG-45</b>			
1456623 EAMM-A-R38-40G	1460097 EAMF-A-38A-40G	1453860 EAMD-25-22-10-10X12	1133398 EAMK-A-R38-38A
★ 1578138 EAMM-A-R38-57A	560692 EAMF-A-38A-57A	561293 EAMD-25-22-6.35-10X12	1133398 EAMK-A-R38-38A
2310075 EAMM-A-R38-60G	558017 EAMF-A-38A-60G/H	558000 EAMD-25-22-11-10X12	1133398 EAMK-A-R38-38A
1456630 EAMM-A-R38-60H	558017 EAMF-A-38A-60G/H	1453861 EAMD-28-22-14-10X12	1133398 EAMK-A-R38-38A
★ 2224996 EAMM-A-R38-60P	1987412 EAMF-A-38A-60P	1453861 EAMD-28-22-14-10X12	1133398 EAMK-A-R38-38A
1133401 EAMM-A-R38-70A	558018 EAMF-A-38A-70A	558000 EAMD-25-22-11-10X12	1133398 EAMK-A-R38-38A
★ 1133404 EAMM-A-R38-87A	560693 EAMF-A-38A-87A	558000 EAMD-25-22-11-10X12	1133398 EAMK-A-R38-38A
<b>ELGG-55</b>			
2374780 EAMM-A-R48-60G	558019 EAMF-A-48A-60G/H	558001 EAMD-32-32-11-16X20	1133399 EAMK-A-R48-48A
1456633 EAMM-A-R48-60H	558019 EAMF-A-48A-60G/H	1377840 EAMD-32-32-14-16X20	1133399 EAMK-A-R48-48A
1578139 EAMM-A-R48-70A	558025 EAMF-A-48A-70A	558001 EAMD-32-32-11-16X20	1133399 EAMK-A-R48-48A
★ 2225090 EAMM-A-R48-80P	2043427 EAMF-A-48A-80P	558002 EAMD-42-40-19-16X25	1133399 EAMK-A-R48-48A
★ 1133405 EAMM-A-R48-87A	560695 EAMF-A-48A-87A	558001 EAMD-32-32-11-16X20	1133399 EAMK-A-R48-48A
★ 1133402 EAMM-A-R48-100A	558020 EAMF-A-48A-100A	558002 EAMD-42-40-19-16X25	1133399 EAMK-A-R-48-48A

1) The input torque must not exceed the maximum permissible transferable torque of the axial kit.

Festo core product range

- ★ Generally ready for shipping ex works in 24 hours
- ☆ Generally ready for shipping ex works in 5 days

# Toothed belt axes ELGG

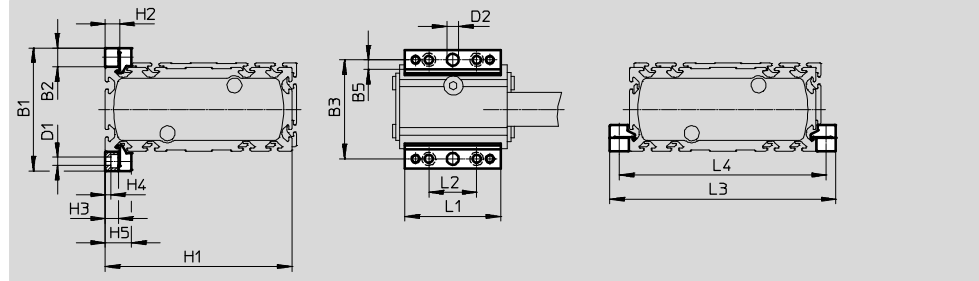
Accessories



## Profile mounting MUE (Order code MA)

Materials:  
Anodised aluminium  
RoHS-compliant

Note  
The central support can also be attached using the profile mounting.



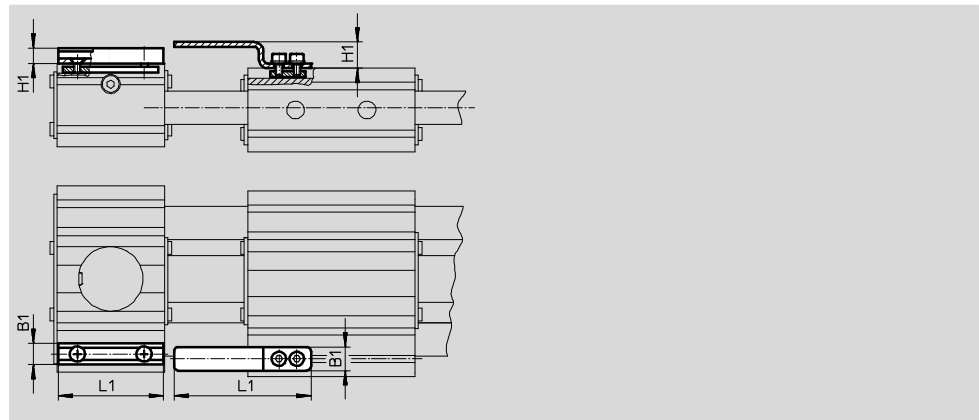
Dimensions and ordering data										
For size	B1	B2	B3	B5	D1 ∅	D2 ∅ H7	H1	H2	H3	H4
35	51	8	43	4	3.4	5	78	6	5.5	2.3
45	69	12	57	4	5.5	5	115	10	9	3.2
55	79	12	67	4	5.5	5	135	10	9	3.2

For size	H5	L1	L2	L3	L4	Weight [g]	Part No.	Type
35	11	40	20	94	86	20	558042	MUE-50
45	17.5	52	40	139	127	32	562238	MUE-45
55	17.5	52	40	159	147	32	562238	MUE-45

## Sensor bracket EAPM-...-SHS, switch lug EAPM-...-SLS (order code SA/SB)

Materials:  
Switch lug: Galvanised steel  
Sensor bracket: Wrought aluminium alloy, anodised  
RoHS-compliant

Note  
The sensor bracket can also be mounted on the central support.



Dimensions and ordering data							
For size	B1	H1	L1	Weight [g]	Part No.	Type	
Sensor bracket							
35, 45, 55	9	6.5	44	20	567537	EAPM-L4-SHS	
Switch lug							
35, 45, 55	10	11	57.5	15	567538	EAPM-L4-SLS	

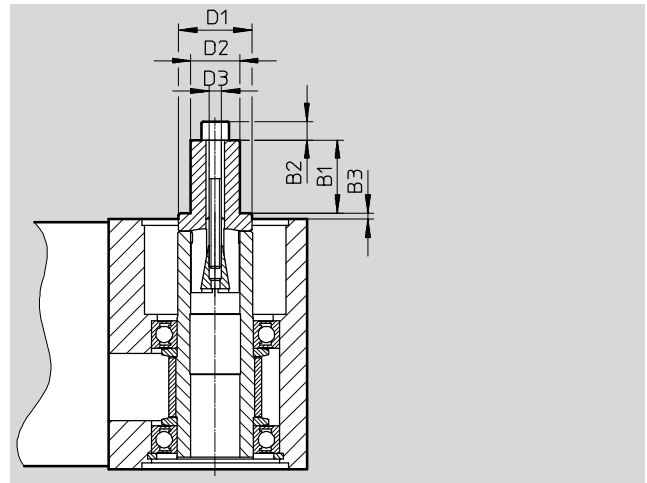
# Toothed belt axes ELGG

Accessories




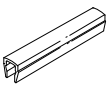
## Drive shaft EAMB

Alternative interface

(Order code EA)



Dimensions and ordering data									
For size	B1	B2	B3	D1 ∅	D2 ∅	D3	Weight [g]	Part No.	Type
35	12	3	3.9	16	8	M4	20	558034	EAMB-16-7-8X15-8X10
45	12	4	6	18	8	M5	29	558035	EAMB-18-9-8X16-10X12
55	21	-	1.5	24	15	M6	70	558036	EAMB-24-6-15X21-16X20

Ordering data						
	For size	Comment	Order code	Part No.	Type	PU <sup>1)</sup>
Slot nut NST						
	35	For mounting slot	NM	558045	NST-3-M3	1
	45, 55			150914	NST-5-M5	
			-	8047843	NST-5-M5-10	10
				8047878	NST-5-M5-50	50
Centring sleeve ZBH <sup>2)</sup>						
	35, 45, 55	For slide	-	186717	ZBH-7	10
Slot cover ABP						
	45, 55	For mounting slot Every 0.5 m	NC	151681	ABP-5	2

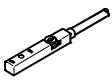
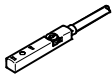
1) Packaging unit quantity

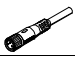

2) 4 centring sleeves included in the scope of delivery of the axis

# Toothed belt axes ELGG

Accessories

**FESTO**

Ordering data – Proximity sensor for T-slot, inductive						Technical data → Internet: sies	
	Type of mounting	Electrical connection	Switching output	Cable length [m]	Order code	Part No.	Type
<b>N/O contact</b>							
	Insertable in the slot from above, flush with the cylinder profile	Cable, 3-wire	PNP	7.5	SA	<b>551386</b>	<b>SIES-8M-PS-24V-K-7,5-OE</b>
		Plug connector M8x1, 3-pin		0.3	–	<b>551387</b>	<b>SIES-8M-PS-24V-K-0,3-M8D</b>
		Cable, 3-wire	NPN	7.5	–	<b>551396</b>	<b>SIES-8M-NS-24V-K-7,5-OE</b>
		Plug connector M8x1, 3-pin		0.3	–	<b>551397</b>	<b>SIES-8M-NS-24V-K-0,3-M8D</b>
<b>N/C contact</b>							
	Insertable in the slot from above, flush with the cylinder profile	Cable, 3-wire	PNP	7.5	SB	<b>551391</b>	<b>SIES-8M-PO-24V-K-7,5-OE</b>
		Plug connector M8x1, 3-pin		0.3	–	<b>551392</b>	<b>SIES-8M-PO-24V-K-0,3-M8D</b>
		Cable, 3-wire	NPN	7.5	–	<b>551401</b>	<b>SIES-8M-NO-24V-K-7,5-OE</b>
		Plug connector M8x1, 3-pin		0.3	–	<b>551402</b>	<b>SIES-8M-NO-24V-K-0,3-M8D</b>

Ordering data – Connecting cables				Technical data → Internet: nebu	
	Electrical connection, left	Electrical connection, right	Cable length [m]	Part No.	Type
	Straight socket, M8x1, 3-pin	Cable, open end, 3-wire	2.5	<b>541333</b>	<b>NEBU-M8G3-K-2.5-LE3</b>
			5	<b>541334</b>	<b>NEBU-M8G3-K-5-LE3</b>
	Angled socket, M8x1, 3-pin	Cable, open end, 3-wire	2.5	<b>541338</b>	<b>NEBU-M8W3-K-2.5-LE3</b>
			5	<b>541341</b>	<b>NEBU-M8W3-K-5-LE3</b>