

Proximity switch SDBT-MSX-..., for T-slot

FESTO



Festo Core Range
Solves the majority of your automation tasks

With the Festo Core Range, we have selected the most important products and functions from our broad product catalogue, and added the quickest delivery.

Worldwide: Quickest delivery – wherever, whenever
Simply good: Expected high Festo quality
Fast: Easy and fast to select

The Core Range offers you the best value for your automation tasks.

Just look
for the
star!

Key features

At a glance

- Quick and easy installation without the need to search for switching points
- Mounting without accessories (power supply)
- Reliable teaching-in of the switching position under load during operation
- Can be programmed flexibly for expanded applications

Description

The SDBT-MSX is an electronic proximity switch for contactless feedback of the piston position of drives with magnetic proximity sensing.

The proximity switch has two crucial benefits in application:

Auto teach-in

Very easy to install without a power supply or precision adjustment. Automatic set-up during operation.

- 1) 20 mm sensing range marked on the SDBT-MSX.
- 2) Roughly mount the switch so that the end stop of the piston is within the sensing range.
- 3) Connect SDBT-MSX to the input module (PLC)

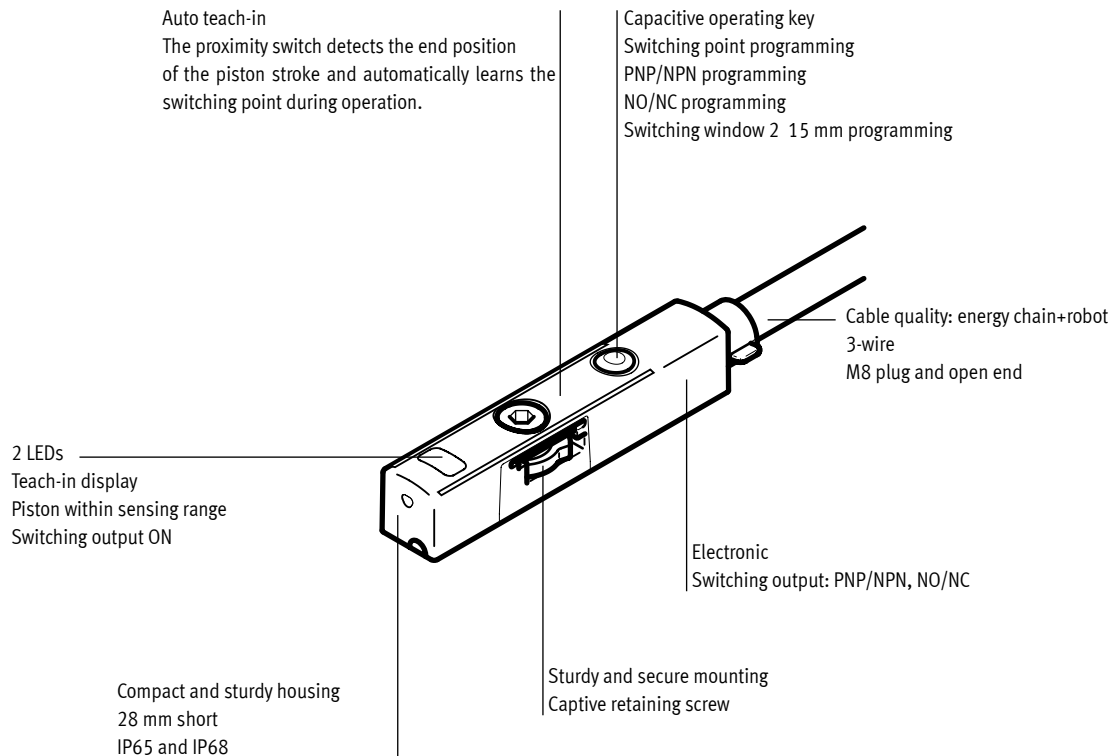
SDBT-MSX automatically learns the switching point during system start-up.

Programmable

Programmable via integrated operating key.

- Switching point (alternative to auto teach-in)
- Width of switching window 2 ... 15 mm
- PNP/NPN
- NO/NC
- Reset

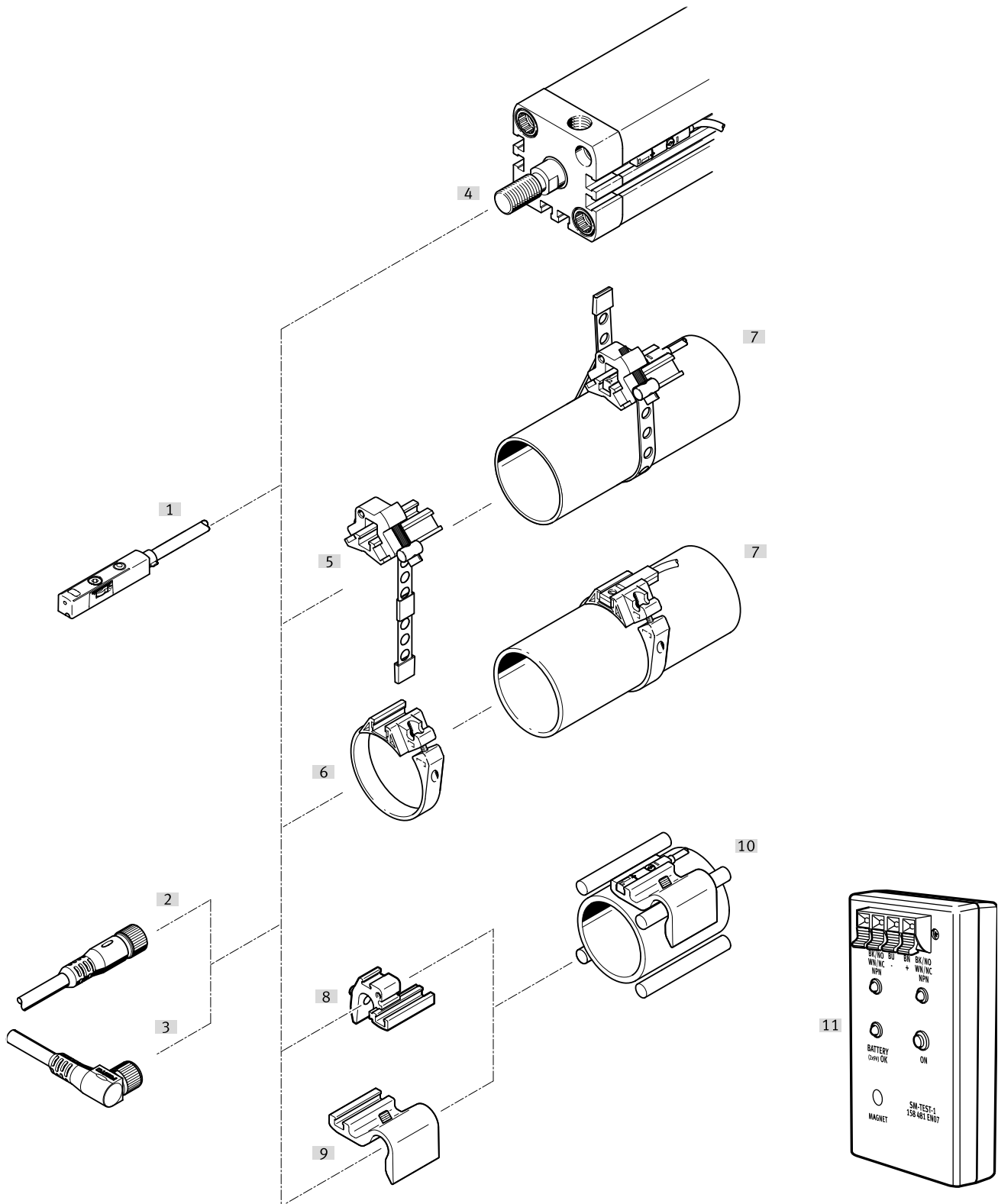
SDBT-MSX – Brief overview



Type codes

001	Series		
SDBT	Sensor, position, binary, T series		
002	Sensor version		
M	Can be inserted in the slot		
003	Sensor principle		
S	Contactless (solid state)		
004	Additional features		
X	Automatic teach-in and programmable		
005	Nominal operating voltage		
1	24 V DC		
006	Display		
L	LED		
007	Digital switching output		
NU	3-wire N/O contact, NPN		
PU	3-wire N/O contact, PNP		
008	Cable characteristic		
E	Suitable for energy chains/robot applications		
009	Cable length [m]		
0.3	0.3 m		
2.5	2.5 m		
5	5 m		
010	Cable identification		
N	Without label holder		
011	Electrical connection		
LE	Open end		
M8	Plug M8, A-coded		

Peripherals overview



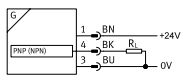
Peripherals overview

Accessories		→ Page	Accessories		→ Page
[1]	Proximity switch SDBT-MSX-...-	6	[7]	Round cylinder	–
[2]	Connecting cables NEBU-M...G...	14	[8]	Mounting SMBZ-8-...	12
[3]	Connecting cables NEBU-M...W...	14	[9]	Sensor bracket DASP-M4-...	12
[4]	Drives with T-slot	–	[10]	Drives with tie rod or mounting rod	–
[5]	Mounting kit SMBR-8-8/100-S6, heat resistant	11	[11]	Sensor tester SM-TEST-1	14
[6]	Mounting kit SMBR	11			

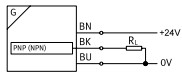
Datasheet – Magnetic Hall

Function

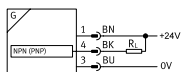
...-PU-...-M8



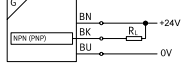
...-PU-...-LE



...-NU-...-M8



...-NU-...-LE



General technical data	...-PU/ NU-...-M8	...-PU/ NU-...-LE
Design type	For T-slot	
Based on standard	EN 60947-5-2	
Certification	RCM	
	c UL us listed (OL)	
Certificate issuing authority	UL E232949	
CE marking (see declaration of conformity)	To EU EMC Directive To EU RoHS Directive	
KC mark	KC EMC	
UKCA marking (see declaration of conformity) ¹⁾	To UK instructions for EMC To UK RoHS instructions	
Note on materials	Free of copper and PTFE RoHS-compliant Halogen-free	
PWIS conformity	VDMA24364-B2-L	
Suitable for the production of lithium-ion batteries	–	Metals with more than 1% copper, zinc or nickel by mass are excluded from use. Exceptions are nickel in steel, chemically nickel-plated surfaces, printed circuit boards, cables, electrical plug connectors and coils
Cleanroom class	–	Class 4 to ISO 14644-1

¹⁾ For information about the area of use, see the EC declaration of conformity at: www.festo.com/catalogue/... → Support/Downloads.

If the devices are subject to usage restrictions in residential, commercial or light-industrial environments, further measures for the reduction of the emitted interference may be necessary.

Input signal/measuring element		
Measuring principle	Magnetic Hall	
Measured variable	Position	
Ambient temperature	[°C]	–40 ... +85
UL ambient temperature		
Fixed cable installation	[°C]	–40 ... +80
Flexible cable installation	[°C]	–20 ... +80
Signal processing		
Max. speed of travel	[m/s]	3

Datasheet – Magnetic Hall

Switching output		...-PU-...	...-NU-...
Switching output		PNP/NPN, switchable	
Switching element function		N/O or N/C contact, switchable	
Repetition accuracy	[mm]	0.1	
Hysteresis	[mm]	0.2	
Switch-on time	[ms]	≤ 2	
Switch-off time	[ms]	≤ 2	
Max. switching frequency	[Hz]	200	
Max. output current	[mA]	100	
Max. output current in mounting kits	[mA]	100	
Max. switching capacity DC	[W]	2.8	
Max. switching capacity DC in mounting kits	[W]	2.8	
Voltage drop	[V]	< 1.5	
Minimum load current	[mA]	0.15	
Residual current	[mA]	< 0.2	

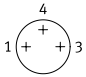
Output, additional data

Short circuit current rating	Yes
Overload protection	Available

Electronic

Rated operating voltage	[V DC]	24
Operating voltage range	[V DC]	10 ... 30
Reverse-polarity protection	For all electrical connections	

Datasheet – Magnetic Hall

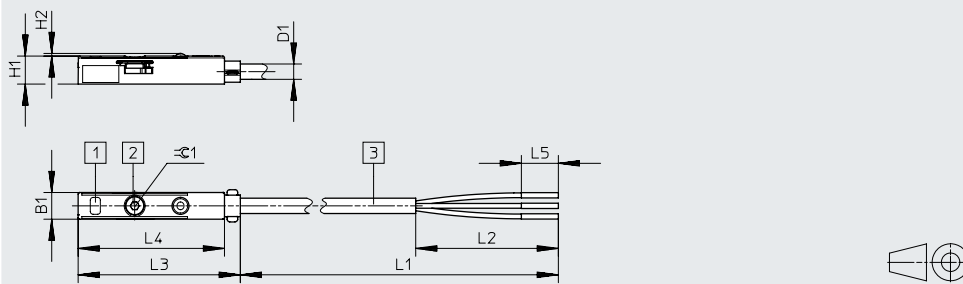
Electromechanics		...-PU/ NU-...-M8	...-PU/ NU-...-LE
Electrical connection		Cable with plug, screw-type lock M8x1, A-coded to EN 61076-2-104	Cable Open end
Number of pins/wires		3	
Connection pattern			–
Outlet direction of connection		In-line	
Cable characteristic		Suitable for energy chains/robot applications	
Cable test conditions		Cable chain: 5 million cycles, bending radius 28 mm	
		Torsional resistance: > 300,000 cycles, ±270°/0.1 m	
		Resistance to bending: to Festo standard; test conditions on request	
Mechanical system		...-PU/ NU-...-M8	...-PU/ NU-...-LE
Type of mounting		Screw-clamped, inserted in the slot from above	
Mounting position		Any	
Max. tightening torque	[Nm]	0.6	
Housing material		High-alloy stainless steel	
		Reinforced PA	
		Nickel-plated brass	–
Housing colour		Black	
Cable sheath		TPE-U(PUR)	
Cable sheath colour		Grey	
Wire ends		–	Wire end sleeve
Display/operation			
Setting options		Auto teach-in	
		Capacitive pushbutton	
Switching status indication		Yellow LED	
Status indication		Green LED	
Immission/emission			
Ambient temperature with flexible cable installation	[°C]	–5 ... 85	
Degree of protection		IP68	

Datasheet – Magnetic Hall

Dimensions, open end

Download CAD data → www.festo.com

SDBT-MSX-1L-...-U-E-...-N-LE



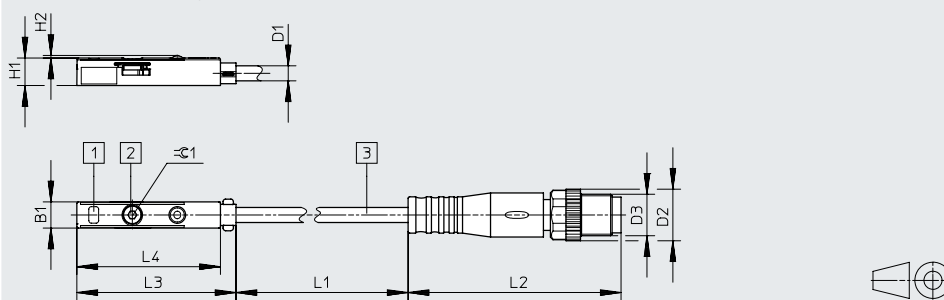
- [1] Yellow and green LED
- [2] Retaining screw with internal hexagon
- [3] Connecting cable

Type	B1	D1 ∅	H1	H2	L1	L2	L3	L4	L5	∅ 1
SDBT-MSX-1L-PU-E-2.5-N-LE	5.1	2.9	5.3	0.5	2500	41.1	50	27.7	7	1.5
SDBT-MSX-1L-PU-E-5-N-LE					5000					
SDBT-MSX-1L-NU-E-2.5-N-LE					2500					
SDBT-MSX-1L-NU-E-5-N-LE					5000					

Dimensions with plug

Download CAD data → www.festo.com

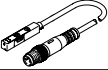

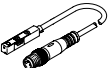

SDBT-MSX-1L-...-U-E-0.3-N-M8



- [1] Yellow and green LED
- [2] Allen key
- [3] Connecting cable

Type	B1	D1 ∅	D2 ∅	D3	H1	H2	L1	L2	L3	L4	∅ 1
SDBT-MSX-1L-PU-E-0.3-N-M8	5.1	2.9	10	M8x1	5.3	0.5	300	41.1	30.7	27.7	1.5
SDBT-MSX-1L-NU-E-0.3-N-M8											

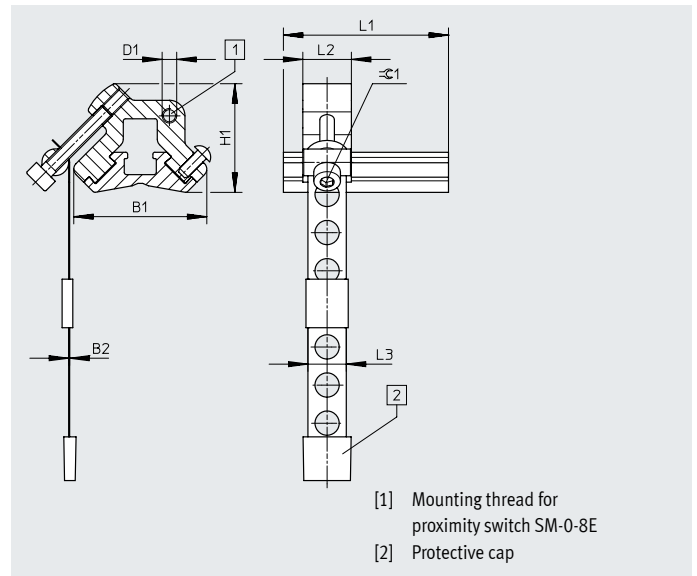
Datasheet – Magnetic Hall

Ordering data		Cable length	Weight	Part no.	Type
	Switching output	[m]	[g]		
N/O					
	3-wire N/O contact, PNP	0.3	10	★ 8059120	SDBT-MSX-1L-PU-E-0.3-N-M8
	3-wire N/O contact, PNP	2.5	29	★ 8059121	SDBT-MSX-1L-PU-E-2.5-N-LE
		5	56	★ 8059122	SDBT-MSX-1L-PU-E-5-N-LE
	3-wire N/O contact, NPN	0.3	10	★ 8059123	SDBT-MSX-1L-NU-E-0.3-N-M8
	3-wire N/O contact, NPN	2.5	29	★ 8059124	SDBT-MSX-1L-NU-E-2,5-N-LE
		5	56	★ 8059125	SDBT-MSX-1L-NU-E-5-N-LE

Accessories

Mounting kit SMBR-8-8/100-S6

Material:
Rail: Anodised wrought aluminium alloy
Clamping strap, screws: High-alloy stainless steel
Free of copper and PTFE
RoHS-compliant



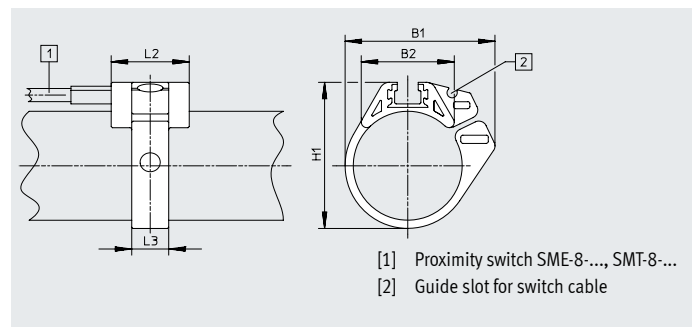
Dimensions and ordering data											Part no.	Type
For piston \varnothing	B1	B2	D1	H1	L1	L2	L3	± 0.1	CRC ¹⁾			
8 ... 100	27.4	0.2	M3	22.4	34	10	7.9	2.5	4	★ 538937	SMBR-8-8/100-S6	

1) Corrosion resistance class CRC 4 to Festo standard FN 940070

Particularly high corrosion stress. Outdoor exposure under extreme corrosive conditions. Parts exposed to aggressive media, e.g. in the chemical or food industries. Such applications may need to be safeguarded by special testing (→ also FN 940082), using appropriate media.

Mounting kit SMBR

Material:
Polyacetal
RoHS-compliant

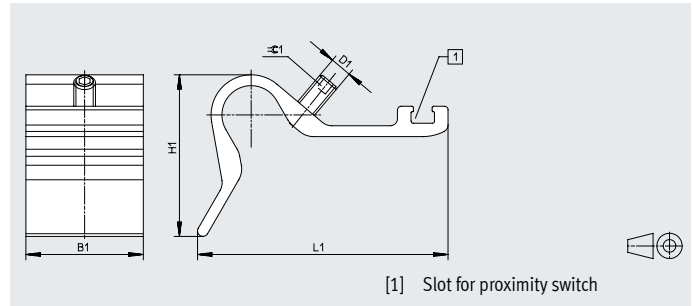


Dimensions and ordering data							
For piston \varnothing	B1	B2	H1	L2	L3	Part no.	Type
8	18.9	12.3	17.5	19	7	175091	SMBR-8-8
10	20.4	13.7	19.9	19	7	175092	SMBR-8-10
12	22.7	14.3	21.9	19	7	★ 175093	SMBR-8-12
16	28.2	16.9	25.7	19	8	★ 175094	SMBR-8-16
20	34.5	20.8	30.4	19	9	★ 175095	SMBR-8-20
25	36.7	22.7	35.6	19	9	★ 175096	SMBR-8-25
32	41.7	24.6	42.7	19	9	175097	SMBR-8-32
40	47.1	26.5	50.7	19	9	175098	SMBR-8-40
50	56.4	28.6	61.5	19	9	175099	SMBR-8-50
63	69.4	32	74.5	19	9	175100	SMBR-8-63

Accessories

Sensor bracket DASP-M4-...-A

Material:
Anodised wrought aluminium alloy
Screws: High-alloy stainless steel
RoHS-compliant



[1] Slot for proximity switch

Dimensions and ordering data											
Type	B1	D1	H1	L1	≈ 1	Tightening torque [Nm]	CRC ¹⁾	Weight [g]	Part no.	Type	
DASP-M4-125-A	32.5	M5	28	45.4	2.5	1	3	26.5	1451483	DASP-M4-125-A	
DASP-M4-160-A	32.5	M6	44.7	69.4	3	1	3	41.5	1553813	DASP-M4-160-A	
DASP-M4-250-A	32.5	M6	56.3	88	3	1	3	60	1456781	DASP-M4-250-A	
DASP-M4-320-A	32.5	M6	56.3	88	3	1	3	60	3015256	DASP-M4-320-A	

1) Corrosion resistance class CRC 3 to Festo standard FN 940070

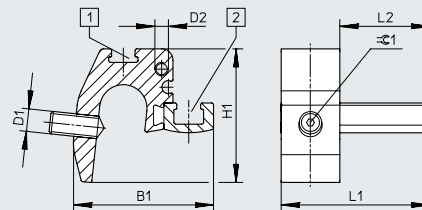
High corrosion stress. Outdoor exposure under moderate corrosive conditions. Externally visible parts with primarily functional surface requirements which are in direct contact with a normal industrial environment.

Mounting SMBZ-8-...

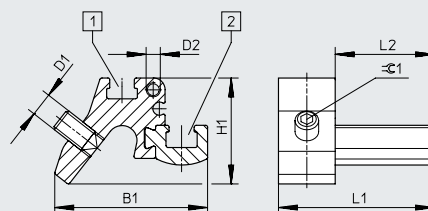
Design: For tie rods
Mounting position: Any
Type of mounting: Clamped
Tightening torque: ≤ 0.5 Nm
Ambient temperature:
-40 ... +120°C
PWIS conformity:
VDMA24364-B2-L



SMBZ-8-32/100



SMBZ-8-125/320



[1] Slot for inscription label
[2] Slot for proximity switch

Dimensions and ordering data											
For piston \varnothing	B1	D1	D2	H1	L1	L2	≈ 1	Weight [g]	CRC ¹⁾	Part no.	Type
32 ... 100	31	M5	M3	30	33	20	1.5	14	2	537806	SMBZ-8-32/100
125 ... 320	32.3			22			2.5			537808	SMBZ-8-125/320

1) Corrosion resistance class CRC 2 to Festo standard FN 940070

Moderate corrosion stress. Indoor application where condensation is allowed to occur. External visible parts with primarily decorative surface requirements which are in direct contact with a normal industrial environment.

Accessories

Positioning element SMM

Inserted into slot from the side

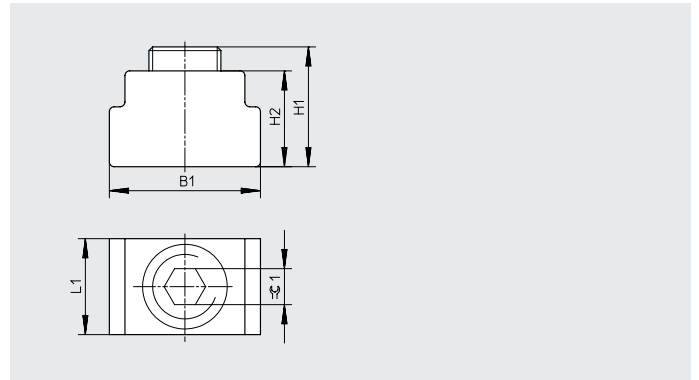
Ambient temperature: -40 ... +120°C

Materials:

Housing: Anodised wrought aluminium alloy

Screws: High-alloy stainless steel

Note on materials: RoHS-compliant







Dimensions and ordering data									
B1	H1	H2	L1	∅1	CRC ¹⁾	Part no.	Type	PU ²⁾	
6.3	5.0	4.0	4.0	1.5	3	547941	SMM-8	10	


1) Corrosion resistance class CRC 3 to Festo standard FN 940070


High corrosion stress. Outdoor exposure under moderate corrosive conditions. Externally visible parts with primarily functional surface requirements which are in direct contact with a normal industrial environment.

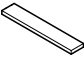
2) Packaging unit

Accessories

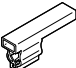
Ordering data – Connecting cables					Datasheets → Internet: nebu/sim	
		Number of wires	Cable length [m]	Part no.	Type	
Socket M8x1, 3-pin						
	For SMT/SME-8... and SMTO/SMTSO/SME0-8E	3	2.5	★ 541333	NEBU-M8G3-K-2.5-LE3	
			5	★ 541334	NEBU-M8G3-K-5-LE3	
	For SMT/SME-8... and SMTO/SMTSO/SME0-8E	3	2.5	★ 541338	NEBU-M8W3-K-2.5-LE3	
			5	★ 541341	NEBU-M8W3-K-5-LE3	
Socket M12x1, 5-pin						
	For SMT/SME-8M and SMTO/SMTSO/SME0-8E	3	2.5	★ 541363	NEBU-M12G5-K-2.5-LE3	
			5	★ 541364	NEBU-M12G5-K-5-LE3	
	For SMT/SME-8M and SMTO/SMTSO/SME0-8E	3	2.5	541367	NEBU-M12W5-K-2.5-LE3	
			5	541370	NEBU-M12W5-K-5-LE3	

Ordering data – Mounting components			
	Description	Part no.	Type
	For fixing connecting cables in place	534254	SMBK-8

Ordering data – Sensor tester			
	Description	Part no.	Type
	<ul style="list-style-type: none"> Testing the functionality of proximity switches using the integrated voltage supply Adjusting proximity switches on the cylinder 	158481	SM-TEST-1

Ordering data – Inscription labels				
	Size	Part no.	Type	PU ¹⁾
	23x4 mm	541598	ASLR-L-423	34

1) Packaging unit

Ordering data – Inscription label holder							
	Length	Width	Height	For cable diameter	Part no.	Type	PS ¹⁾
	23 mm	5.4 mm	10.3 mm	2.5 ... 3.5 mm	8078306	NEAU-LH-2	100

1) Pack size