

Protective devices CAFC, mounting components for controllers

Technical data

Screening plate CPX-AB-S

Protective devices enable the valve terminals to be protected against environmental influences.



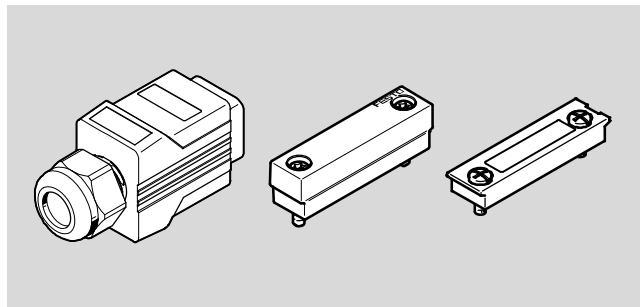
Ordering data					
Function	Weight [g]	Material	Dimensions [mm]	Part No.	Type
Screening plate, is placed on a CPX module and screens it electromagnetically	20	Tin-plated bronze	59.9x50.5x16 (LxWxH)	526184	CPX-AB-S-4-M12

Protective devices CAFC, mounting components for controllers

Technical data

Cover CPX-...-AK

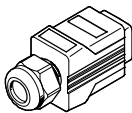
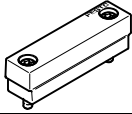
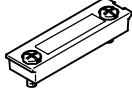
Protective devices enable the valve terminals to be protected against environmental influences.



General technical data				
Type		CPX-M-AK-C	CPX-M-AK-M	CPX-AK-P
Width	[mm]	30	12	–
Height	[mm]	58	13	–
Length	[mm]	22	49	–
Protection class to EN 60529		IP65, IP67 (assembled)		
Product weight	[g]	54	15	4

Materials				
Type		CPX-M-AK-C	CPX-M-AK-M	CPX-AK-P
Housing		Nickel-plated die-cast zinc	Die-cast aluminium	Polyamide
Screws		–	Galvanised steel	Galvanised steel
Seal		NBR		
Note on materials		RoHS-compliant		

Operating and environmental conditions				
Type		CPX-M-AK-C	CPX-M-AK-M	CPX-AK-P
Ambient temperature	[°C]	–5 ... +50		
Storage temperature	[°C]	–40 ... +70	–	–
Relative air humidity	[%]	5 ... 90, non-condensing		
Certification		UL94 V0	–	–

Ordering data				
	Description	Part No.	Type	
	Cover cap for RJ45 push-pull connection, for fieldbus node of electrical terminal CPX with RJ45 connection (FB34, FB35)	548753	CPX-M-AK-C	
	Cover for DIL switch and memory card, for fieldbus node of electrical terminal CPX in metal design with memory card (FB34, FB35, FB41)	548754	CPX-M-AK-M	
	Transparent cover for DIL switch and memory card, for fieldbus node of electrical terminal CPX in plastic design with memory card (FB33)	548757	CPX-AK-P	

Festo - Your Partner in Automation



1 Festo Inc.
5300 Explorer Drive
Mississauga, ON L4W 5G4
Canada

Festo Customer Interaction Center
Tel: 1 877 463 3786
Fax: 1 877 393 3786
Email: customer.service.ca@festo.com



2 Festo Pneumatic
Av. Ceylán 3,
Col. Tequesquináhuac
54020 Tlalnepantla,
Estado de México

Multinational Contact Center
01 800 337 8669
ventas.mexico@festo.com



3 Festo Corporation
1377 Motor Parkway
Suite 310
Islandia, NY 11749

Festo Customer Interaction Center
1 800 993 3786
1 800 963 3786
customer.service.us@festo.com



4 Regional Service Center
7777 Columbia Road
Mason, OH 45040

Connect with us



www.festo.com/socialmedia



www.festo.com

Subject to change