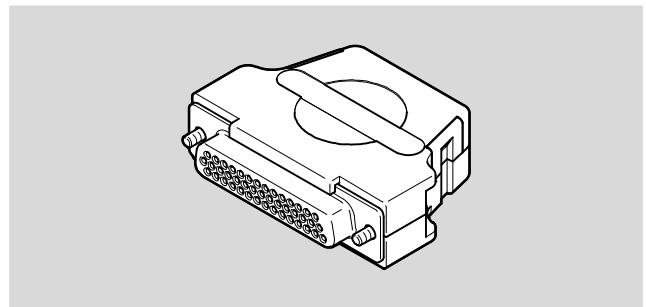


# Electrical adapter NEFF with additional function

Technical data

**Plug socket NEFF-S1G44LB**

- Plug socket for operating an interlock-capable valve terminal interface in I-Port operation only



General technical data		
Max. tightening torque	[Nm]	0.24
Degree of protection EN 60529		IP40 (assembled)

Materials	
Note on materials	RoHS-compliant

Operating and environmental conditions		
Ambient temperature	[°C]	-5 ... +50

**Dimensions** Download CAD data → [www.festo.com](http://www.festo.com)

Type	B1	H1	H2	L1
NEFF-S1G44LB	16	42.5	38	53.7

Ordering data		
	Part No.	Type
Plug socket	1589339	NEFF-S1G44LB

# Festo - Your Partner in Automation



**1 Festo Inc.**  
5300 Explorer Drive  
Mississauga, ON L4W 5G4  
Canada

**Festo Customer Interaction Center**  
Tel: 1 877 463 3786  
Fax: 1 877 393 3786  
Email: [customer.service.ca@festo.com](mailto:customer.service.ca@festo.com)



**2 Festo Pneumatic**  
Av. Ceylán 3,  
Col. Tequesquináhuac  
54020 Tlalnepantla,  
Estado de México

**Multinational Contact Center**  
01 800 337 8669  
[ventas.mexico@festo.com](mailto:ventas.mexico@festo.com)



**3 Festo Corporation**  
1377 Motor Parkway  
Suite 310  
Islandia, NY 11749

**Festo Customer Interaction Center**  
1 800 993 3786  
1 800 963 3786  
[customer.service.us@festo.com](mailto:customer.service.us@festo.com)



**4 Regional Service Center**  
7777 Columbia Road  
Mason, OH 45040

Connect with us



[www.festo.com/socialmedia](http://www.festo.com/socialmedia)



[www.festo.com](http://www.festo.com)

Subject to change