

Connecting cables for valves, socket type B, industry standard

FESTO



Festo core product range
Covers 80% of your automation tasks

Worldwide:

Always in stock

Superb:

Festo quality at an attractive price

Easy:

Simplified procurement and warehousing

★ Generally ready for shipping ex works in 24 hours

In stock at 13 Service Centres worldwide

More than 2200 products

★ Generally ready for shipping ex works in 5 days

Assembled for you at 4 Service Centres worldwide

Up to 6×10^{12} variants per product family

Just look
for the
star!

Connecting cables for valves, socket type B, industry standard

Type codes – Connecting cable with PUR cable sheath

001	Series
NEBV	Connecting cable for valves

002	Product version
	Standard
C	Easy-to-clean design

003	Connection technology left, field device side
A1	Socket type A, EN 175301-803
B2	Socket type B, industry standard, 11 mm
C1S	Socket type C, narrow design
Z4	Socket connection pattern ZC, metric screw
Z3	Socket connection pattern ZC, self-tapping screw
M8	Socket M8x1 A-coded, EN 61076-2-104
M12	Socket M12x1 A-coded, EN 61076-2-101
S1	Sub-D socket
S7	Sub-D HD socket
H1	Socket connection pattern H
Q7	Port pattern Q7 socket
HS	Socket connection pattern S

004	Cable outlet left
	None
G	Straight
W	Angled
WA	Angled 45°

005	Number of pins/wires on the left
2	2
3	3
4	4
8	8
9	9
15	15
25	25
37	37
44	44

006	Display
	None
F	LED signal status, AC
L	LED signal status, DC
N	LED switching state, NPN
P	LED switching state, PNP
U	LED, UC

007	Additional socket functions
	None
HL	Hood for MPA-L
HM	Hood for MPA-S
HS	With seal

008	Circuitry
	None
P	Protective circuit
R	Holding current reduction with integrated protective circuit

009	Cable characteristic
P	Basic
K	Standard
E	Suitable for energy chains
F	Food-safe to standard

010	Cable design
	Standard
M	Alternative material
N	Leads
D	Double cable

011	Cable length [m]
0.1	0.1
0.2	0.2
0.3	0.3
0.5	0.5
0.6	0.6
1	1
2	2
2.5	2.5
3	3
5	5
10	10

012	Cable identification
	With label holder
N	Without label holder

013	Connection technology right, controller side
M8	Plug M8x1 A-coded, EN 61076-2-104
M12	Plug M12x1 A-coded, EN 61076-2-101
Z1	Port pattern ZB plug, self-tapping screw
LE	Open end

014	Plug
	None
G	Straight
W	Angled

015	Number of pins/wires on the right
2	2
3	3
4	4
5	5
10	10
15	15
25	25
26	26
27	27
36	36
37	37
39	39
44	44

016	Degree of protection, electrical system
	Standard
S6	IP40
S1	IP65
S9	IP65/IP67
S10	IP65/IP67/IP69K

Type codes – Connecting cable with PVC cable sheath

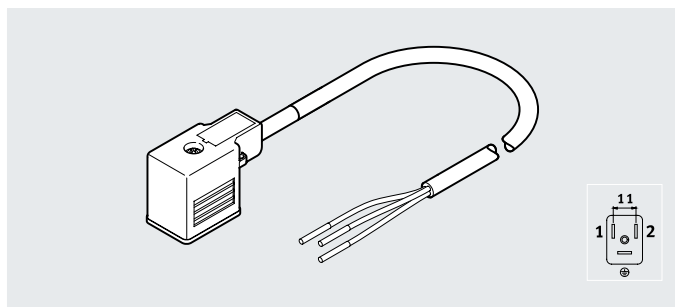
001	Series	
KMF	Connecting cable for valves, socket type B to industry standard 11 mm	
002	Variant	
1	Variant 1	
003	Rated operating voltage	
24	24 V DC	
24DC	24 V DC	
230AC	230 V AC	

004	Cable length [m]	
2.5	2.5	
5	5	
10	10	
005	Display	
	No display	
LED	LED signal status, DC	

Technical data – Connecting cable with PUR cable sheath

Connecting cable NEBV-B2W3

- Connecting cable
- Pre-assembled at one or both ends
- For connecting valves



General technical data

Electrical connection 1

Function	Field device side
Connection type	Socket
Cable outlet	Angled
Design	Rectangular
Connection technology	Plug pattern type B, to industry standard, 11 mm
Number of pins/wires	3
Assigned pins/wires	3
Type of mounting	On solenoid valve with M3 central screw

Electrical connection 2

Function	Controller side	
Connection type	Cable	Plug
Cable outlet	–	Angled
Design	–	Round
Connection technology	Open end	M12x1, A-coded to EN 61076-2-101
Number of pins/wires	3	5
Assigned pins/wires	3	3
Type of mounting	–	Screw locking with spanner size 13 (hexagon)

Technical data – Electrics

Nominal operating voltage	24 V AC/DC	110 V AC/DC	230 V AC/DC
Operating voltage range	[V AC]	18 ... 30	0 ... 110
	[V DC]	18 ... 30	0 ... 110
Surge resistance	[kV]	0.8	1.5
Current rating at 40°C	[A]	4	1
Pollution degree		3	3
Display		Yellow LED, signal status indication	–
Additional functions		Protective circuit	–
Protective earth connection	Provided	Provided	Provided

Technical data – Cable

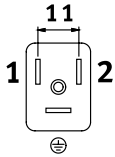
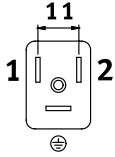
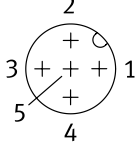
Cable composition	[mm ²]	3x 0.75
Cable diameter	[mm]	5.9
Cable diameter tolerance	[mm]	±0.3
Cable characteristic		Standard
Cable test conditions		Test conditions on request
Cable designation		Without inscription label holder

Technical data – Connecting cable with PUR cable sheath

Materials		
Electrical connection 2	Connection technology Open end	M12x1, A-coded, to EN 61076-2-101
Housing	TPE-U(PUR)	TPE-U(PUR)
Housing colour	Black	Black
Union nut	–	Nickel-plated die-cast zinc
Insulating sheath	PP	PP
Cable sheath	TPE-U(PUR)	TPE-U(PUR)
Cable sheath colour	Grey	Grey
Note on materials	RoHS-compliant	RoHS-compliant
	Contains paint-wetting impairment substances	Contains paint-wetting impairment substances

Operating and environmental conditions			
Nominal operating voltage	24 V AC/DC	110 V AC/DC	230 V AC/DC
Ambient temperature [°C]	–25 ... +80	–25 ... +80	–25 ... +80
Ambient temperature with flexible cable installation [°C]	–25 ... +80	–25 ... +80	–25 ... +80
CE marking (see declaration of conformity) ¹⁾	–	To EU Low Voltage Directive	To EU Low Voltage Directive
Certification	c CSA us (OL)	c CSA us (OL)	c CSA us (OL)
Degree of protection	IP67	IP67	IP67
Note on degree of protection	In assembled state	In assembled state	In assembled state

1) Additional information is available at www.festo.com/sp → Certificates.

Circuitry (socket/plug view)				
Electrical connection 1	Pin	Wire colour ¹⁾	Pin	Electrical connection 2
Electrical connection 2, connection technology open end				
	1	BK	–	Open end
	2	BK	–	Open end
	GND	GN YE	–	Open end
Electrical connection 2, connection technology M12x1, A-coded to EN 61076-2-101				
	1	BK	3	
	2	BK	4	
	GND	GN YE	5	

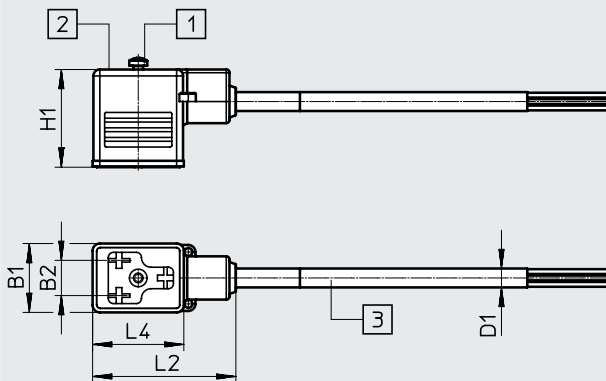
1) To IEC 757

Technical data – Connecting cable with PUR cable sheath

Dimensions

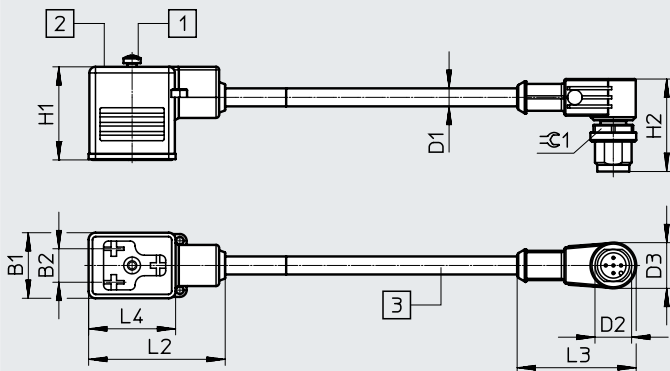
Download CAD data → www.festo.com

Electrical connection 2, connection technology open end



- [1] Mounting screw M3
- [2] Signal status indication for version P
- [3] Cable, length depending on the order

Electrical connection 2, connection technology plug M12x1



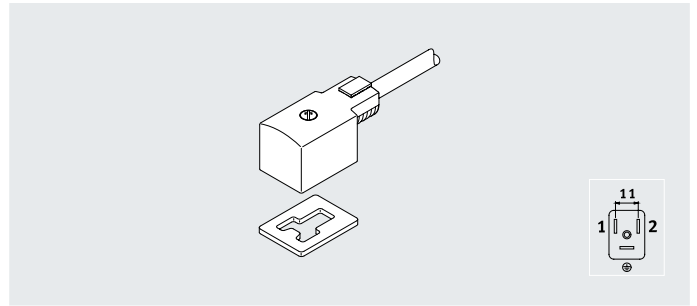
- [1] Mounting screw M3
- [2] Signal status indication for version P
- [3] Cable, length depending on the order

Type	B1	B2	D1 ∅	D2	D3 ∅	H1	H2	L2	L3	L4	☉
NEBV-B2W3-...-LE3	21.5	11	5.9	-	-	30.5	-	45	-	29	-
NEBV-B2W3-...-M12W3	21.5	11	5.9	M12x1	15	30.5	31	45	39	29	13

Technical data – Connecting cable with PVC cable sheath

Connecting cable KMF

- Connecting cable
- Pre-assembled at one end
- For connecting valves



General technical data

Electrical connection 1

Function	Field device side
Connection type	Socket
Cable outlet	Angled
Design	Rectangular
Connection technology	Plug pattern type B, to industry standard, 11 mm
Number of pins/wires	3
Assigned pins/wires	3
Type of mounting	On solenoid valve with M3 central screw

Electrical connection 2

Function	Controller side
Connection type	Cable
Connection technology	Open end
Number of pins/wires	3
Assigned pins/wires	3

Technical data – Electrics

Nominal operating voltage		24 V DC	230 V AC
Nominal operating voltage	[V]	24 DC	230 AC
Operating voltage range	[V AC]	–	230 ... 254.5
	[V DC]	20.4 ... 27.6	–
Current rating at 40°C	[A]	4	4
Pollution degree		3	3
Display		Yellow LED, signal status indication	–
Protective earth connection		Provided	Provided

Technical data – Cable

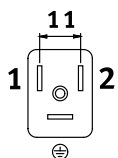
Cable composition	[mm ²]	3x 0.75
Cable diameter	[mm]	6
Cable characteristic		Standard
Cable test conditions		Test conditions on request
Cable designation		Without inscription label holder

Technical data – Connecting cable with PVC cable sheath

Materials		
Housing	PC	
Cable sheath	PVC	
Pin contacts	Bronze	

Operating and environmental conditions		
Nominal operating voltage	24 V DC	230 V AC
Ambient temperature [°C]	-20 ... +80	-20 ... +80
CE marking (see declaration of conformity) ¹⁾	-	To EU Low Voltage Directive
Degree of protection	IP67	IP67
Note on degree of protection	In assembled state	In assembled state

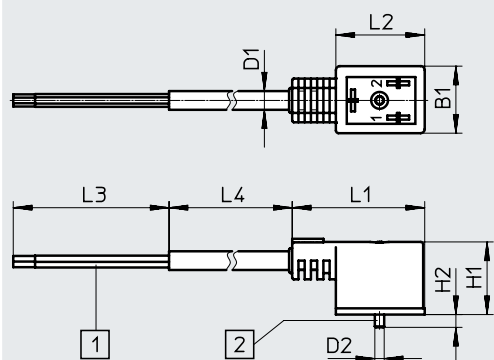
1) Additional information is available at www.festo.com/sp → Certificates.

Circuitry (socket/plug view)				
Electrical connection 1	Pin	Wire colour ¹⁾	Pin	Electrical connection 2
Electrical connection 2, connection technology open end				
	1	BK	-	Open end
	2	BK	-	Open end
	GND	GNYE	-	Open end

1) To IEC 757

Dimensions

Download CAD data → www.festo.com

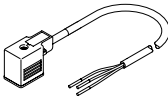
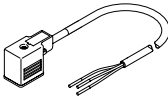
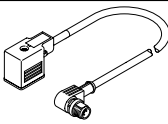
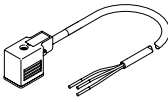
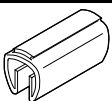
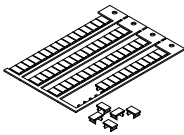


- [1] Cable, 3-wire
- [2] M3 screw

Type	B1	D1 ∅	D2	H1	H2	L1	L2	L3	L4
KMF-1-...-2.5	21	6	M3	23	6	43	28	50	2500
KMF-1-...-5									5000
KMF-1-...-10									10000

Ordering data

★ Core product range

Ordering data – Connecting cable with PVC cable sheath						
	Nominal operating voltage [V]		Cable length [m]	Weight [g]	Part no.	Type
Electrical connection 2, connection technology open end						
	24 DC	Signal status indication	2.5	170	★ 30935	KMF-1-24DC-2.5-LED
Ordering data – Connecting cable with PUR cable sheath						
	Nominal operating voltage [V]		Cable length [m]	Weight [g]	Part no.	Type
Electrical connection 2, connection technology open end						
	24 AC/DC	• Signal status indication • Protective circuit	0.6	80	3679778	NEBV-B2W3F-P-K-0.6-N-LE3
	230 AC/DC	–	0.6	80	3579468	NEBV-B2W3-K-0.6-N-LE3
Electrical connection 2, connection technology M12x1, A-coded to EN 61076-2-101						
	24 AC/DC	• Signal status indication • Protective circuit	0.3	60	3679773	NEBV-B2W3F-P-K-0.3-N-M12W3
			0.6	100	3679774	NEBV-B2W3F-P-K-0.6-N-M12W3
	110 AC/DC	–	0.3	60	3579463	NEBV-B2W3-K-0.3-N-M12W3
			0.6	100	3579464	NEBV-B2W3-K-0.6-N-M12W3
Ordering data – Connecting cable with PVC cable sheath						
	Nominal operating voltage [V]		Cable length [m]	Weight [g]	Part no.	Type
Electrical connection 2, connection technology open end						
	24 DC	Signal status indication	5	320	30937	KMF-1-24DC-5-LED
			10	620	193458	KMF-1-24-10-LED
	230 AC	–	2.5	170	30936	KMF-1-230AC-2.5
			5	320	30938	KMF-1-230AC-5
Ordering data – Accessories						
					Part no.	Type
	Inscription labels for attaching to a cable with diameter 5 ... 8 mm		11x20 mm		33361	KM-BZ
	Inscription labels for connecting cable KMF, 64 per frame		6x10 mm		18576	IBS-6x10

Festo core product range



Generally ready for shipping ex works in 24 hours



Generally ready for shipping ex works in 5 days

Ordering data – Modular product system

Ordering table		Conditions	Code	Enter code
Module no.	8003577			
Connecting cable	Connecting cables for valves		NEBV	NEBV
Connection technology on the left, field device side	Socket type B to industry standard, 11 mm		-B2	-B2
Cable outlet on the left	Angled		W	W
Number of pins/wires on the left	3-pin		3	3
Display	None			
	Signal status LED		F	
Circuitry	None			
	Integrated protective circuit		-P	
Cable characteristic	Standard		-K	-K
Cable length	[m] 0.3	[1]	-0.3	
	[m] 0.6		-0.6	
Cable designation	Without inscription label holder		-N	-N
Connection technology on the right, controller side	Open end		-LE	
	Plug M12x1, A-coded, EN 61076-2-101		-M12	
Cable outlet on the right	None			
	Angled	[1]	W	
Number of pins/wires on the right	3-pin		3	3

[1] **-0.3, W** Only with connection technology on the right, M12