

## Connecting cables for valves, socket plug pattern H

**FESTO**



Festo core product range  
Covers 80% of your automation tasks

Worldwide:  
Superb:  
Easy:

Always in stock  
Festo quality at an attractive price  
Simplified procurement and warehousing

★ Generally ready for shipping ex works in 24 hours  
In stock at 13 Service Centres worldwide  
More than 2200 products

★ Generally ready for shipping ex works in 5 days  
Assembled for you at 4 Service Centres worldwide  
Up to  $6 \times 10^{12}$  variants per product family

Just look  
for the  
star!

## Connecting cables for valves, socket plug pattern H

### Type codes

<b>001</b>	<b>Series</b>
<b>NEBV</b>	Connecting cable for valves

<b>002</b>	<b>Product version</b>
	Standard
<b>C</b>	Easy-to-clean design

<b>003</b>	<b>Connection technology left, field device side</b>
<b>A1</b>	Socket type A, EN 175301-803
<b>B2</b>	Socket type B, industry standard, 11 mm
<b>C1S</b>	Socket type C, narrow design
<b>Z4</b>	Socket connection pattern ZC, metric screw
<b>Z3</b>	Socket connection pattern ZC, self-tapping screw
<b>M8</b>	Socket M8x1 A-coded, EN 61076-2-104
<b>M12</b>	Socket M12x1 A-coded, EN 61076-2-101
<b>S1</b>	Sub-D socket
<b>S7</b>	Sub-D HD socket
<b>H1</b>	Socket connection pattern H
<b>Q7</b>	Port pattern Q7 socket
<b>HS</b>	Socket connection pattern S

<b>004</b>	<b>Cable outlet left</b>
	None
<b>G</b>	Straight
<b>W</b>	Angled
<b>WA</b>	Angled 45°

<b>005</b>	<b>Number of pins/wires on the left</b>
<b>2</b>	2
<b>3</b>	3
<b>4</b>	4
<b>8</b>	8
<b>9</b>	9
<b>15</b>	15
<b>25</b>	25
<b>37</b>	37
<b>44</b>	44

<b>006</b>	<b>Display</b>
	None
<b>F</b>	LED signal status, AC
<b>L</b>	LED signal status, DC
<b>N</b>	LED switching state, NPN
<b>P</b>	LED switching state, PNP
<b>U</b>	LED, UC

<b>007</b>	<b>Additional socket functions</b>
	None
<b>HL</b>	Hood for MPA-L
<b>HM</b>	Hood for MPA-S
<b>HS</b>	With seal

<b>008</b>	<b>Circuitry</b>
	None
<b>P</b>	Protective circuit
<b>R</b>	Holding current reduction with integrated protective circuit

<b>009</b>	<b>Cable characteristic</b>
<b>P</b>	Basic
<b>K</b>	Standard
<b>E</b>	Suitable for energy chains
<b>F</b>	Food-safe to standard

<b>010</b>	<b>Cable design</b>
	Standard
<b>M</b>	Alternative material
<b>N</b>	Leads
<b>D</b>	Double cable

<b>011</b>	<b>Cable length [m]</b>
<b>0.1</b>	0.1
<b>0.2</b>	0.2
<b>0.3</b>	0.3
<b>0.5</b>	0.5
<b>0.6</b>	0.6
<b>1</b>	1
<b>2</b>	2
<b>2.5</b>	2.5
<b>3</b>	3
<b>5</b>	5
<b>10</b>	10

<b>012</b>	<b>Cable identification</b>
	With label holder
<b>N</b>	Without label holder

<b>013</b>	<b>Connection technology right, controller side</b>
<b>M8</b>	Plug M8x1 A-coded, EN 61076-2-104
<b>M12</b>	Plug M12x1 A-coded, EN 61076-2-101
<b>Z1</b>	Port pattern ZB plug, self-tapping screw
<b>LE</b>	Open end

<b>014</b>	<b>Plug</b>
	None
<b>G</b>	Straight
<b>W</b>	Angled

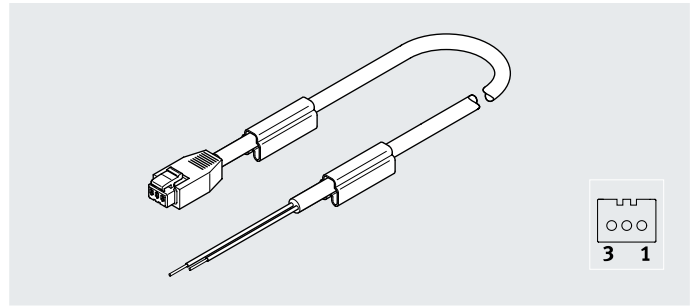
<b>015</b>	<b>Number of pins/wires on the right</b>
<b>2</b>	2
<b>3</b>	3
<b>4</b>	4
<b>5</b>	5
<b>10</b>	10
<b>15</b>	15
<b>25</b>	25
<b>26</b>	26
<b>27</b>	27
<b>36</b>	36
<b>37</b>	37
<b>39</b>	39
<b>44</b>	44

<b>016</b>	<b>Degree of protection, electrical system</b>
	Standard
<b>S6</b>	IP40
<b>S1</b>	IP65
<b>S9</b>	IP65/IP67
<b>S10</b>	IP65/IP67/IP69K

Data sheet

Connecting cable NEBV-H1G2

- Connecting cable
- Pre-assembled at one end
- For connecting valves
- Cable lengths 0.5 ... 5 m



General technical data	
Cable designation	Without inscription label holder

Technical data – Electrical connection 1	
Function	Field device side
Connection type	Socket
Cable outlet	Straight
Design	Rectangular
Connection technology	Plug pattern H
Number of pins/wires	3
Assigned pins/wires	2
Type of mounting	Snap-locking

Technical data – Electrical connection 2		
Type	NEBV-H1G2-KN	NEBV-H1G2-P
Function	Controller side	
Connection type	2x single wires	Cable
Connection technology	Open end	
Number of pins/wires	2	
Assigned pins/wires	2	
Wire ends	Cut off bluntly	Cut off bluntly
	-	Stripped

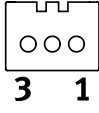
Technical data – Electrical components		
Operating voltage range	[V DC]	0 ... 60
Current rating at 40°C	[A]	3

Technical data – Cable			
Type		NEBV-H1G2-KN	NEBV-H1G2-P
Cable diameter	[mm]	1.3	3.4
Cable composition	[mm <sup>2</sup> ]	2x0.14	2x0.14
Nominal conductor cross section	[mm <sup>2</sup> ]	0.14	0.14
Cable characteristic		Standard	For static applications

Materials		
Type	NEBV-H1G2-KN	NEBV-H1G2-P
Housing	POM	POM
Housing colour	Black	Black
Pin contacts	Tin-plated copper alloy	Tin-plated copper alloy
Cable sheath	-	TPE-U(PUR)
Cable sheath colour	-	Grey
Insulating sheath	PVC	PVC
Note on materials	RoHS-compliant	RoHS-compliant

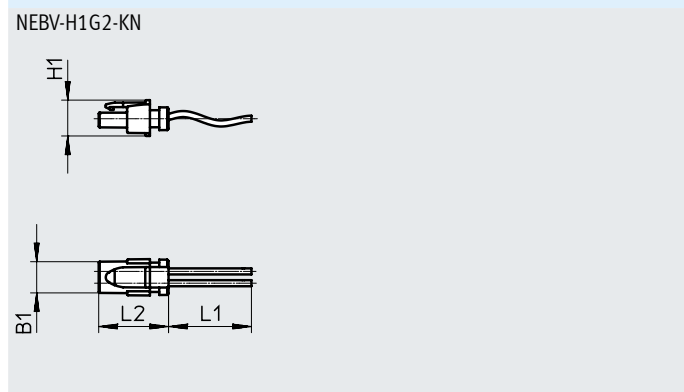
## Data sheet

Operating and environmental conditions	
Ambient temperature [°C]	-5 ... +60
Degree of protection	IP40
Note on degree of protection	In assembled state

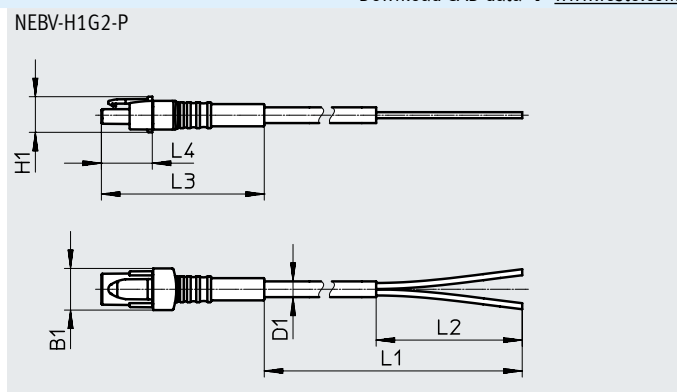
Circuitry (socket view)				
Electrical connection 1	Pin	Wire colour <sup>1)</sup>	Pin	Electrical connection 2
	1	RD	-	-
	2	BK	-	-

1) To IEC 757

### Dimensions Download CAD data → [www.festo.com](http://www.festo.com)



Type	B1	H1	L1	L2
NEBV-H1G2-KN-0.5-N-LE2	8.3	8.4	500	13
NEBV-H1G2-KN-1-N-LE2			1000	
NEBV-H1G2-KN-2.5-N-LE2			2500	
NEBV-H1G2-KN-5-N-LE2			5000	



Type	B1	D1	H1	L1	L2	L3	L4
NEBV-H1G2-P-0.5-N-LE2	9	3.4	8.4	500	50	33.2	9
NEBV-H1G2-P-1-N-LE2				1000			
NEBV-H1G2-P-2.5-N-LE2				2500			
NEBV-H1G2-P-5-N-LE2				5000			

### ★ Core product range

Ordering data		Cable length [m]	Weight [g]	Part no.	Type		
Electrical connection 1	Electrical connection 2, connection type	Straight socket, 2-pin	2x single wires	0.5	4	★ 566654	NEBV-H1G2-KN-0.5-N-LE2
				1	7	★ 566655	NEBV-H1G2-KN-1-N-LE2
				2.5	17	★ 566656	NEBV-H1G2-KN-2.5-N-LE2
	Cable, 2-wire	0.5	8	★ 566658	NEBV-H1G2-P-0.5-N-LE2		
		1	16	★ 566659	NEBV-H1G2-P-1-N-LE2		
		2.5	35	★ 566660	NEBV-H1G2-P-2.5-N-LE2		

Ordering data		Cable length [m]	Weight [g]	Part no.	Type		
Electrical connection 1	Electrical connection 2, connection type	Straight socket, 2-pin	2x single wires	5	31	★ 566657	NEBV-H1G2-KN-5-N-LE2
			Cable, 2-wire	5	70	★ 566661	NEBV-H1G2-P-5-N-LE2

Festo core product range

- ★ Generally ready for shipping ex works in 24 hours
- ★ Generally ready for shipping ex works in 5 days

## Ordering data – Modular product system

Ordering table		Conditions	Code	Enter code
Module no.	<b>8003577</b>			
Connecting cable	Connecting cables for valves		<b>NEBV</b>	NEBV
Connection technology on the left, field device side	Socket plug pattern H		<b>-H1</b>	-H1
Cable outlet on the left	Straight		<b>G</b>	G
Number of pins/wires on the left	2-pin		<b>2</b>	2
Display	None			
Circuitry	None			
Cable characteristic	Basic	[1]	<b>-P</b>	
	Standard	[2]	<b>-K</b>	
Cable design	Standard			
	Flying leads		<b>N</b>	
Cable length	[m] 0.5		<b>-0.5</b>	
	[m] 1.0		<b>-1</b>	
	[m] 2.5		<b>-2.5</b>	
	[m] 5.0		<b>-5</b>	
Cable designation	Without inscription label holder		<b>-N</b>	-N
Connection technology on the right, controller side	Open end		<b>-LE</b>	-LE
Cable outlet on the right	None			
Number of pins/wires on the right	2-pin		<b>2</b>	2

[1] **-P** Only with cable design 'standard'

[2] **-K** Only with cable design 'flying leads'