

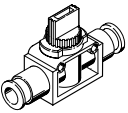
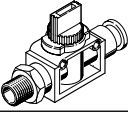
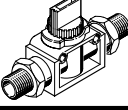
## Shut-off valves HE

**FESTO**



## Product range overview and type codes

### Product range overview

Design	Type	Pneumatic connection		Valve function		qnN [l/min]
		1	2	2/2-way valve	3/2-way valve	
<b>Push-in connector at both ends</b>						
	HE	QS-6	QS-6	■	■	256.5
		QS-8	QS-8			415.8
		QS-10	QS-10			752.4
		QS-12	QS-12			788.4
<b>Male thread/push-in connector</b>						
	HE	R1/8	QS-6	■	■	279.9
		R1/4	QS-8			423.9
		R3/8	QS-10			760.5
		R1/2	QS-12			834.3
<b>Male thread at both ends</b>						
	HE	R1/8	R1/8	-	■	369.9
		R1/4	R1/4			625.5
		R3/8	R3/8			797.4

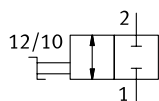
### Type codes

001	Series
HE	Shut-off valve
002	Valve function
2	2/2-way valve
3	3/2-way valve
003	Pneumatic connection 1
1/8	Male thread R1/8
1/4	Male thread R1/4
3/8	Male thread R3/8
1/2	Male thread R1/2
QS-6	Push-in connector 6 mm
QS-8	Push-in connector 8 mm
QS-10	Push-in connector 10 mm
QS-12	Push-in connector 12 mm

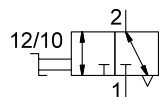
004	Pneumatic connection 2
	Same size push-in connector as pneumatic connection 1
1/8	Male thread R1/8
1/4	Male thread R1/4
3/8	Male thread R3/8
QS-6	Push-in connector 6 mm
QS-8	Push-in connector 8 mm
QS-10	Push-in connector 10 mm
QS-12	Push-in connector 12 mm




## Data sheet

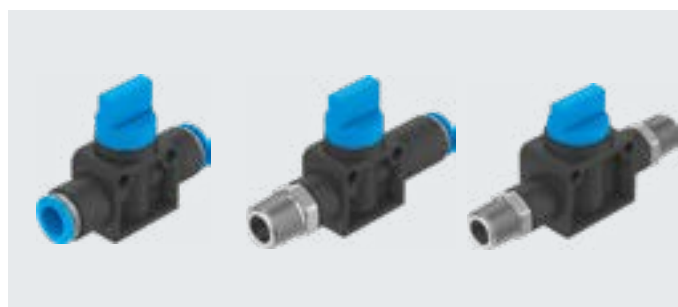
HE-2



HE-3



-  Standard nominal flow rate  
256.5 ... 834.3 l/min
-  Temperature range  
0 ... +60°C
-  Operating pressure  
-0.095 ... 1 MPa



General technical data – HE-2		QS-6	QS-8	QS-10	QS-12	R1/8	R1/4	R3/8	R1/2
Pneumatic connection 1		QS-6	QS-8	QS-10	QS-12	R1/8	R1/4	R3/8	R1/2
Pneumatic connection 2		QS-6	QS-8	QS-10	QS-12	QS-6	QS-8	QS-10	QS-12
Nominal width	[mm]	3.0	3.5	4.7	4.7	3.2	3.5	4.6	7.7
Design	Piston spool valve								
Type of mounting	In-line installation				Direct mounting via thread				
	Direct mounting via through-hole								
Mounting position	Any								
Valve function	2/2-way, bistable								
Actuation type	Manual								
Type of control	Direct								
Flow direction	Non-reversible								
Sealing principle	Soft								

General technical data – HE-3		QS-6	QS-8	QS-10	QS-12	R1/8	R1/4	R3/8	R1/2			
Pneumatic connection 1		QS-6	QS-8	QS-10	QS-12	R1/8	R1/4	R3/8	R1/2			
Pneumatic connection 2		QS-6	QS-8	QS-10	QS-12	QS-6	R1/8	QS-8	R1/4	QS-10	R3/8	QS-12
Pneumatic connection 3		Not ducted										
Nominal width	[mm]	3.0	3.5	4.6	4.7	3.2	3.2	3.5	4.1	4.6	4.7	4.7
Design	Piston spool valve											
Type of mounting	In-line installation					Direct mounting via thread						
	Direct mounting via through-hole											
Mounting position	Any											
Valve function	3/2-way, bistable											
Actuation type	Manual											
Exhaust function	Cannot be throttled											
Type of control	Direct											
Flow direction	Non-reversible											
Sealing principle	Soft											

Operating and environmental conditions		
Operating pressure	[MPa]	-0.095 ... 1
	[bar]	-0.95 ... 10
Operating medium	Compressed air to ISO 8573-1:2010 [7:-:-]	
Note on operating/ pilot medium	Lubricated operation possible (in which case lubricated operation will always be required)	
Ambient temperature	[°C]	0 ... +60
Temperature of medium	[°C]	0 ... +60
Corrosion resistance class CRC <sup>1)</sup>	2	

1) Corrosion resistance class CRC 2 to Festo standard FN 940070

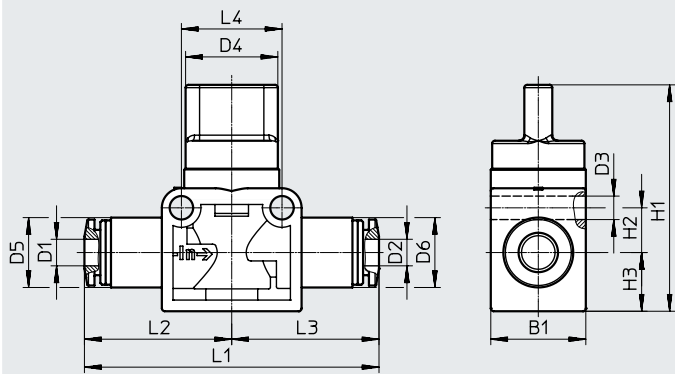
Moderate corrosion stress. Indoor applications in which condensation can occur. External visible parts with primarily decorative surface requirements which are in direct contact with a normal industrial environment.

Materials		QS-6	QS-8	QS-10	QS-12	R1/8	R1/4	R3/8	R1/2
Pneumatic connection 1		QS-6	QS-8	QS-10	QS-12	R1/8	R1/4	R3/8	R1/2
Housing	Reinforced PBT								
Screwed trunnion	-					Nickel-plated brass			
Seals	NBR								
Note on materials	RoHS-compliant								
PWIS conformity	VDMA24364-B1/B2-L								
Cleanroom class	Class 4 to ISO 14644-1								

Data sheet

Dimensions – Push-in connector, both ends

Download CAD data → [www.festo.com](http://www.festo.com)

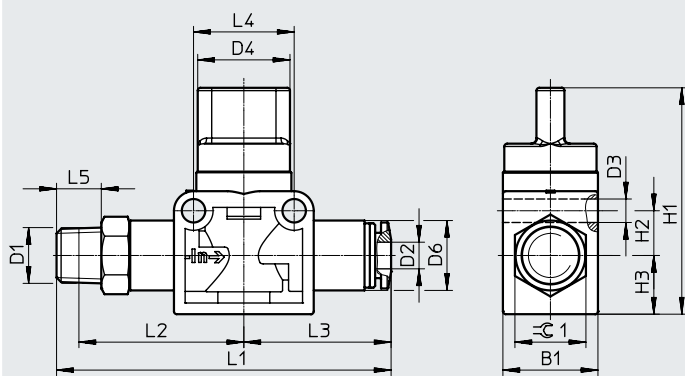


→ Flow direction (indicated by the arrow)

Type	B1	D1 ø	D2 ø	D3 ø	D4 ø	D5 ø	D6 ø	H1	H2	H3	L1	L2	L3	L4
HE...-QS-6	17	6	6	4.2	16.5	12.5	12.5	40.5	8	10.5	52.7	26.4	26.4	18
HE...-QS-8	17	8	8	4.2	16.5	15	15	40.5	8	10.5	55.4	27.7	27.7	18
HE...-QS-10	21.7	10	10	4.2	19.5	17.5	17.5	41	11	10.5	64.4	32.2	32.2	24
HE...-QS-12	21.7	12	12	4.2	19.5	21	21	41	11	10.5	69.8	34.9	34.9	24

Dimensions – Male thread/push-in connector

Download CAD data → [www.festo.com](http://www.festo.com)

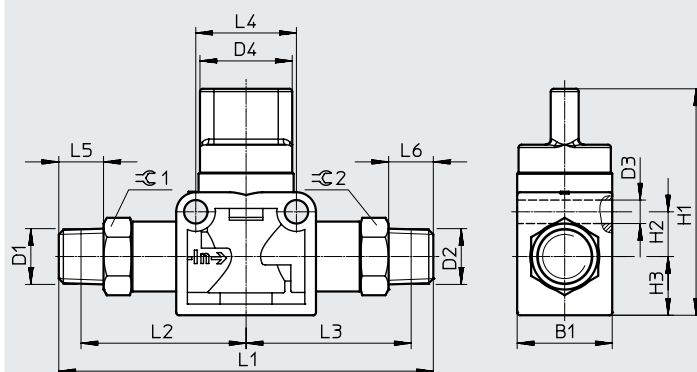


→ Flow direction (indicated by the arrow)

Type	B1	D1	D2 ø	D3 ø	D4 ø	D6 ø	H1	H2	H3	L1	L2	L3	L4	L5	⌀ 1
HE...-1/8-QS-6	17	R1/8	6	4.2	16.5	12.5	40.5	8	10.5	59.9	29.5	26.4	18	8	12
HE...-1/4-QS-8	17	R1/4	8	4.2	16.5	15	40.5	8	10.5	64.2	30.5	27.7	18	11	14
HE...-3/8-QS-10	21.7	R3/8	10	4.2	19.5	17.5	41	11	10.5	75.7	37	32.2	24	12	17
HE...-1/2-QS-12	21.7	R1/2	12	4.2	19.5	21	41	11	10.5	81.4	38.5	34.9	24	15	21

## Data sheet

## Dimensions – Male thread at both ends

Download CAD data → [www.festo.com](http://www.festo.com)

→ Flow direction (indicated by the arrow)

Type	B1	D1	D2	D3 ø	D4 ø	H1	H2	H3	L1	L2	L3	L4	L5	L6	≈ $\varnothing$ 1	≈ $\varnothing$ 2
HE-3-1/8-1/8	17	R1/8	R1/8	4.2	16.5	40.5	8	10.5	67	29.5	29.5	18	8	8	12	12
HE-3-1/4-1/4	21.7	R1/4	R1/4	4.2	19.5	41	11	10.5	85	36.5	36.5	24	11	11	14	14
HE-3-3/8-3/8	21.7	R3/8	R3/8	4.2	19.5	41	11	10.5	87	37.2	37.2	24	12	12	17	17

## Ordering data

Design	Pneumatic connection		Standard nominal flow rate qnN [l/min]	Weight [g]	Part no.	Type	
	1	2					
<b>2/2-way valve</b>							
	Push-in connector at both ends	QS-6	QS-6	256.5	23	153467	HE-2-QS-6
		QS-8	QS-8	415.8	26	153468	HE-2-QS-8
		QS-10	QS-10	752.4	41	153469	HE-2-QS-10
		QS-12	QS-12	788.4	47	153470	HE-2-QS-12
	Male thread/push-in connector	R1/8	QS-6	279.9	29	153471	HE-2-1/8-QS-6
		R1/4	QS-8	423.9	36	153472	HE-2-1/4-QS-8
		R3/8	QS-10	760.5	60	153473	HE-2-3/8-QS-10
		R1/2	QS-12	834.3	86	153474	HE-2-1/2-QS-12
<b>3/2-way valve</b>							
	Push-in connector at both ends	QS-6	QS-6	256.5	23	153475	HE-3-QS-6
		QS-8	QS-8	415.8	26	153476	HE-3-QS-8
		QS-10	QS-10	752.4	41	153477	HE-3-QS-10
		QS-12	QS-12	788.4	47	153478	HE-3-QS-12
	Male thread/push-in connector	R1/8	QS-6	279.9	29	153479	HE-3-1/8-QS-6
		R1/4	QS-8	423.9	36	153480	HE-3-1/4-QS-8
		R3/8	QS-10	760.5	60	153481	HE-3-3/8-QS-10
		R1/2	QS-12	834.3	86	153482	HE-3-1/2-QS-12
	Male thread at both ends	R1/8	R1/8	369.9	35	153296	HE-3-1/8-1/8
		R1/4	R1/4	625.5	58	153297	HE-3-1/4-1/4
		R3/8	R3/8	797.4	79	153298	HE-3-3/8-3/8