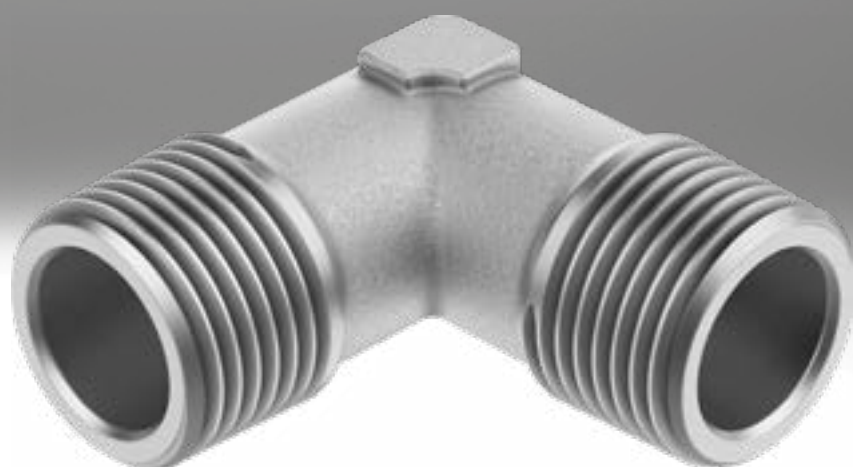


Threaded fittings NPFC

FESTO



Technical data

| Operating and environmental conditions | |
|--------------------------------------------------------------------|----------------------------------------------------------------------------------------------------------------------------------------------------------------------------------------------------------------------------|
| Operating pressure [bar] | -0.95 ... 50 |
| Operating medium | Compressed air to ISO 8573-1:2010 [---:--] |
| | Gases on request |
| | Liquids on request |
| Ambient temperature [°C] | -20 ... +150 |
| PWIS conformity ¹⁾ | VDMA24364-B1/B2-L |
| Suitable for the production of lithium-ion batteries ¹⁾ | Metals with more than 1% by mass of copper, zinc or nickel are excluded from use. Exceptions are nickel in steel, chemically nickel-plated surfaces, printed circuit boards, cables, electrical plug connectors and coils. |
| Corrosion resistance class CRC ²⁾ | 1 - Low corrosion stress (NPFC-D-2G18-M-F1A ³⁾ ; 2 - Moderate corrosion stress) |

1) Applies for NPFC-D-2G18-M-F1A (recommended for battery production)

2) Corrosion resistance class CRC 1 to Festo standard FN 940070

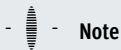
Low corrosion stress. Dry internal application or transport and storage protection. Also applies to parts behind covers, in the non-visible interior area, or parts that are covered in the application (e.g. drive trunnions).

Corrosion resistance class CRC 2 to Festo standard FN 940070: Moderate corrosion stress. Indoor applications in which condensation can occur. External visible parts with primarily decorative surface requirements that are in direct contact with a normal industrial environment.

3) Recommended for battery production

| Materials | |
|-------------------|------------------------------------------------------------------------------------|
| Threaded fitting | Nickel-plated brass (NPFC-D-2G18-M-F1A ¹⁾ ; high-alloy stainless steel) |
| Note on materials | RoHS-compliant |

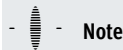
1) Recommended for battery production.



Note

When using R threaded studs, we recommend using thread sealing tape GWB-0.1 (part no. 9076).


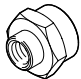
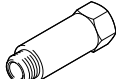


When using M and G threaded studs, an additional axial sealing ring is required (preferably soft aluminium Al 99.5).




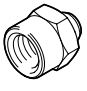

Note

The threaded fittings NPFC are treated as mass-produced goods and sold in bulk. It is not possible to rule out flaws or markings on the surface. This may mean that even G threads need to be sealed.




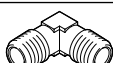


Product range overview

| Design | Version | Type | Connection D1 | | | Connection D2 | | | → Page/ Internet |
|-------------------------------------------------------------------------------------|-----------------------------------------------------------------------------------|--------|---------------|----------|----------|------------------|------------------|----------|---------------------|
| | | | M thread | G thread | R thread | M thread | G thread | R thread | |
| Straight shape | Sleeve | | | | | | | | |
| |  | NPFC-S | M5 | – | – | – | – | – | 7 |
| | | | – | G1/8 | | | | | |
| | | | | G1/4 | | | | | |
| | | | | G3/8 | | | | | |
| | | | | G1/2 | | | | | |
| | G3/4 | | | | | | | | |
| Reducing sleeve | | | | | | | | | |
|  | NPFC-R | M5 | – | – | – | G1/8 | – | 7 | |
| | | – | G1/8 | | | G1/4, G3/8, G1/2 | | | |
| | | | G1/4 | | | G3/8, G1/2 | | | |
| | | | G3/8 | | | G1/2 | | | |
| | | | G1/2 | | | G3/4, G1 | | | |
| | | | G3/4 | | | G1 | | | |
| Extension | | | | | | | | | |
|  | NPFC-E... | M5 | – | – | M5 | – | – | 8 | |
| | | – | G1/8 | | – | G1/8 | | | |
| | | | G1/4 | | | G1/4 | | | |
| | | | G3/8 | | | G3/8 | | | |
| | | | G1/2 | | | G1/2 | | | |
| Double nipple | | | | | | | | | |
|  | NPFC-D | M3 | – | – | M3 | – | – | 9 | |
| | | M5 | | | M5 | G1/8 | | | |
| | | M7 | | | – | G1/8 | | | |
| | | – | G1/8 | | | G1/8, G1/4, G3/8 | | | |
| | | | G1/4 | | | G1/4, G3/8, G1/2 | | | |
| | | | G3/8 | | | G3/8, G1/2 | | | |
| | | | G1/2 | | | G1/2, G3/4 | | | |
| | | | G3/4 | | | G3/4 | | | |
| | | | – | R1/8 | | – | R1/8, R1/4, R3/8 | | |
| | | | | R1/4 | | | R1/4, R3/8, R1/2 | | |
| | | | | R3/8 | | | R3/8, R1/2 | | |
| | | | | R1/2 | | | R1/2, R3/4 | | |
| | | | | R3/4 | | | R3/4 | | |
| | | R1 | | | R1 | | | | |
| Double nipple with sealing ring | | | | | | | | | |
|  | NPFC-DS | M5 | – | – | M5 | – | – | 11 | |
| | | M5 | | | – | G1/8 | | | |
| | | – | G1/2 | | | G1/2 | | | |
| | | | G3/8 | | | G1/2, G3/8 | | | |
| | | | G1/4 | | | G1/4, G1/2, G3/8 | | | |
| | | | G1/8 | | | G1/8, G1/4 | | | |
| | – | | | – | | | | | |

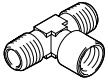
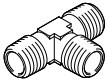
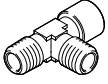
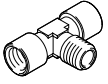
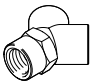
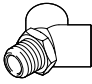

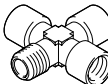
Product range overview

| Design | Version | Type | Connection D1 | | | Connection D2 | | | → Page/ Internet | |
|----------------|-----------------------------------------------------------------------------------|---------|---------------|----------|----------|---------------|------------------|------------|---------------------|----|
| | | | M thread | G thread | R thread | M thread | G thread | R thread | | |
| Straight shape | Reducing nipple with sealing ring | | | | | | | | | |
| |  | NPFC-RS | - | G1/8 | - | - | M5 | - | - | 13 |
| | | | | G1/4 | | | - | G1/8 | | |
| | | | | G3/8 | | | | G1/8, G1/4 | | |
| | | | | G1/2 | | | | G1/4, G3/8 | | |
| | | | | G3/4 | | | | G1/2, G3/8 | | |
| | | | | G1 | | | | G1/2, G3/4 | | |
| | Reducing nipple – female thread/male thread | | | | | | | | | |
| |  | NPFC-R | - | M5 | - | - | - | G1/8 | - | 12 |
| | | | | - | G1/8 | | G1/4, G3/8 | | | |
| | | | | | G1/4 | | G3/8 | | | |
| | | | | | G3/8 | | G1/2 | | | |
| | Reducing nipple – male thread/female thread | | | | | | | | | |
| |  | NPFC-R | - | M5 | - | - | M3 | - | - | 12 |
| | | | | M7 | | | M5 | | | |
| - | | | | G1/8 | M5 | | | | | |
| | | | | G1/4 | M5 | | G1/8 | | | |
| | | | | G3/8 | - | | G1/8, G1/4 | | | |
| | | | | G1/2 | | | G1/4, G3/8 | | | |
| | | | | G3/4 | | | G1/4, G3/8, G1/2 | | | |
| G1 | | | | | | | G1/2, G3/4 | | | |

Product range overview

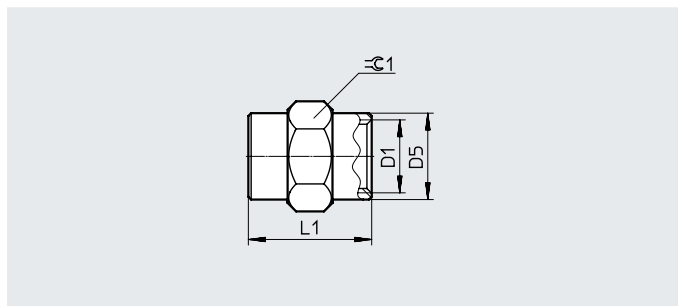
| Design | Version | Type | Connection D1 | | | Connection D2 | | | → Page/ Internet |
|----------------|-------------------------------------------------------------------------------------|--------|---------------|----------|----------|---------------|----------|----------|---------------------|
| | | | M thread | G thread | R thread | M thread | G thread | R thread | |
| Straight shape |  | NPFC-H | M5 | – | – | – | – | – | 14 |
| | | | – | G1/8 | – | – | – | – | |
| | | | – | G1/4 | – | – | – | – | |
| | | | – | G3/8 | – | – | – | – | |
| | | | – | G1/2 | – | – | – | – | |
| L-shape |  | NPFC-L | M5 | – | – | – | – | – | 15 |
| | | | – | G1/8 | – | – | – | – | |
| | | | – | G1/4 | – | – | – | – | |
| | | | – | G3/8 | – | – | – | – | |
| | | | – | G1/2 | – | – | – | – | |
| | | | – | G3/4 | – | – | – | – | |
| |  | NPFC-L | M5 | – | – | M5 | – | – | 15 |
| | | | – | G1/8 | – | – | R1/8 | – | |
| | | | – | G1/4 | – | – | R1/4 | – | |
| | | | – | G3/8 | – | – | R3/8 | – | |
| | | | – | G1/2 | – | – | R1/2 | – | |
| | | | – | G3/4 | – | – | R3/4 | – | |
| |  | NPFC-L | M5 | – | – | – | – | – | 16 |
| | | | – | – | – | R1/8 | – | – | |
| | | | – | – | – | R1/4 | – | – | |
| – | | | – | – | R3/8 | – | – | | |
| – | | | – | – | R1/2 | – | – | | |
| – | | | – | – | R3/4 | – | – | | |
| T-shape |  | NPFC-T | – | G1/8 | – | – | – | – | 16 |
| | | | – | G1/4 | – | – | – | – | |
| | | | – | G3/8 | – | – | – | – | |
| | | | – | G1/2 | – | – | – | – | |
| | | | – | G3/4 | – | – | – | – | |
| | | | – | G1 | – | – | – | – | |
| |  | NPFC-T | M5 | – | – | M5 | – | – | 17 |
| | | | – | G1/8 | – | – | R1/8 | – | |
| | | | – | G1/4 | – | – | R1/4 | – | |
| | | | – | G3/8 | – | – | R3/8 | – | |
| | | | – | G1/2 | – | – | R1/2 | – | |

Product range overview

| Design | Version | Type | Connection D1 | | | Connection D2 | | | → Page/ Internet |
|---------|-------------------------------------------------------------------------------------|--------|---------------|------------------------------|-----------------------------------|---------------|-----------------------------------|------------------------------|---------------------|
| | | | M thread | G thread | R thread | M thread | G thread | R thread | |
| T-shape | T-fitting – female thread/male thread/male thread | | | | | | | | |
| |  | NPFC-T | – | G1/8 G1/4 G3/8 G1/2 | – | – | – | R1/8 R1/4 R3/8 R1/2 | 17 |
| | T-fitting – male thread | | | | | | | | |
| |  | NPFC-T | – | – | R1/4 R3/8 R1/2 | – | – | – | 18 |
| T-shape | T-fitting – male thread/male thread/female thread | | | | | | | | |
| |  | NPFC-T | – | – | R1/8 R1/4 R1/2 | – | G1/8 G1/4 G1/2 | – | 18 |
| | T-fitting – male thread/female thread/female thread | | | | | | | | |
| |  | NPFC-T | M5 – | – | – R1/8 R1/4 R3/8 R1/2 | M5 – | – G1/8 G1/4 G3/8 G1/2 | – | 19 |
| Y-shape | Y-fitting – female thread | | | | | | | | |
| |  | NPFC-Y | – | G1/4 G3/8 G1/2 | – | – | – | – | 20 |
| Y-shape | Y-fitting – male thread/female thread/female thread | | | | | | | | |
| |  | NPFC-Y | – | – | R1/8 R1/4 R3/8 R1/2 | – | G1/8 G1/4 G3/8 G1/2 | – | 20 |
| X-shape | X-fitting – female thread | | | | | | | | |
| |  | NPFC-X | – | G1/4 G3/8 G1/2 | – | – | – | – | 21 |
| X-shape | X-fitting – male thread/female thread/female thread/female thread | | | | | | | | |
| |  | NPFC-X | – | G1/4 G1/2 | – | – | – | R1/4 R1/2 | 21 |

Datasheet

Sleeve NPFC-S

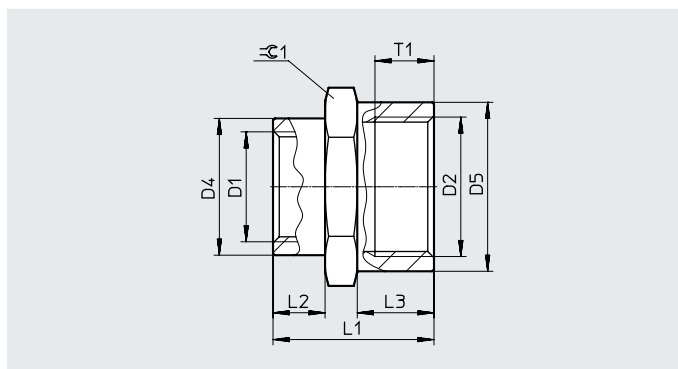


Dimensions and ordering data

| Connection | D5 | L1 | ≈G1 | Weight/ piece [g] | Part no. | Type | PU ¹⁾ |
|------------|------|----|-----|-------------------------|----------|---------------|------------------|
| D1 | ∅ | | | | | | |
| M5 | 7.5 | 11 | 8 | 3.13 | 8030290 | NPFC-S-2M5-F | 10 |
| G1/8 | 13.5 | 15 | 14 | 11 | 8030291 | NPFC-S-2G18-F | 10 |
| G1/4 | 16.5 | 22 | 17 | 18.8 | 8030292 | NPFC-S-2G14-F | 10 |
| G3/8 | 21.5 | 24 | 22 | 35.7 | 8030293 | NPFC-S-2G38-F | 10 |
| G1/2 | 25.5 | 30 | 26 | 54.4 | 8030294 | NPFC-S-2G12-F | 10 |
| G3/4 | 31.5 | 32 | 32 | 79.1 | 8030295 | NPFC-S-2G34-F | 10 |

1) Packaging unit

Reducing sleeve NPFC-R



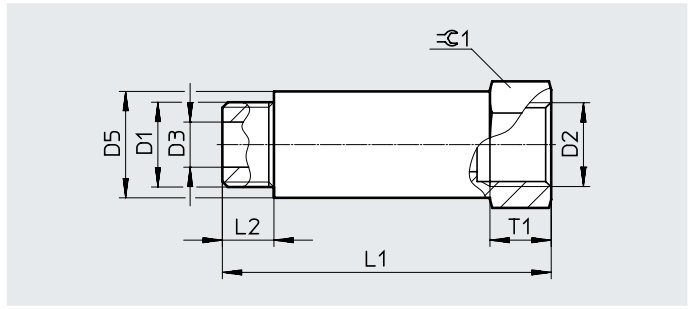
Dimensions and ordering data

| Connection | D4 | D5 | L1 | L2 | L3 | T1 | ≈G1 | Weight/ piece [g] | Part no. | Type | PU ¹⁾ | |
|------------|------|------|------|------|-----|------|------|-------------------------|----------|---------|------------------|----|
| D1 | D2 | ∅ | ∅ | | | | | | | | | |
| M5 | G1/8 | 10 | 13 | 13 | 4 | 5 | 6 | 14 | 10 | 8069219 | NPFC-R-G18-M5-F | 10 |
| G1/8 | G1/4 | 13 | 17 | 19 | 6 | 8 | 9.5 | 17 | 16 | 8069220 | NPFC-R-G14-G18-F | 10 |
| | G3/8 | 13 | 20.5 | 20 | 6 | 8 | 10 | 22 | 24.6 | 8030296 | NPFC-R-G38-G18-F | 10 |
| | G1/2 | 13 | 23.8 | 24 | 8 | 9.5 | 12 | 24 | 43 | 8069222 | NPFC-R-G12-G18-F | 10 |
| G1/4 | G3/8 | 16.5 | 20.5 | 23 | 8 | 8 | 10 | 22 | 33 | 8069221 | NPFC-R-G38-G14-F | 10 |
| | G1/2 | 16.5 | 23.8 | 25 | 8 | 9.5 | 12 | 24 | 32 | 8069223 | NPFC-R-G12-G14-F | 10 |
| G3/8 | G1/2 | 21 | 23.8 | 27.5 | 8.5 | 10.5 | 14 | 24 | 38 | 8069224 | NPFC-R-G12-G38-F | 10 |
| G1/2 | G3/4 | 25 | 29.8 | 30 | 10 | 12 | 14 | 30 | 56.2 | 8030297 | NPFC-R-G34-G12-F | 10 |
| | G1 | 25 | 39 | 39 | 11 | 18 | 17.5 | 40 | 145 | 8069225 | NPFC-R-G1-G12-F | 10 |
| G3/4 | G1 | 30 | 39 | 41 | 13 | 18 | 17.5 | 40 | 169 | 8069226 | NPFC-R-G1-G34-F | 10 |

1) Packaging unit

Datasheet

Extension NPFC-E...

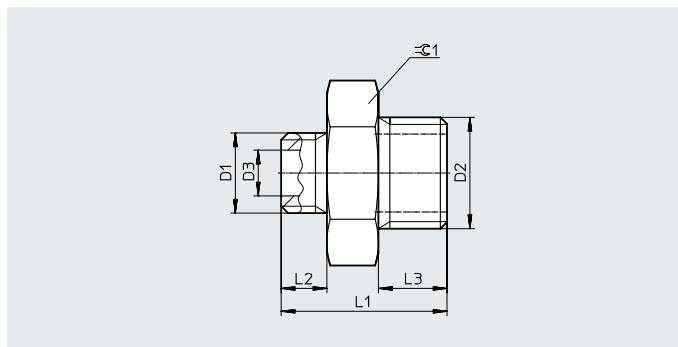


Dimensions and ordering data

| Connection | | D3 | D5 | L1 | L2 | T1 | $\pm C1$ | Weight/ piece [g] | Part no. | Type | PU ¹⁾ |
|------------|------|-----|------|------|----|-----|----------|-------------------------|----------|-----------------|------------------|
| D1 | D2 | ∅ | ∅ | | | | | | | | |
| E1 | | | | | | | | | | | |
| M5 | M5 | 2.7 | 6.8 | 18.5 | 4 | 5.5 | 7 | 4.1 | 8069218 | NPFC-E1-2M5-FM | 10 |
| G1/8 | G1/8 | 5.5 | 13 | 22 | 6 | 7.5 | 14 | 14.9 | 8030298 | NPFC-E1-2G18-FM | 10 |
| G1/4 | G1/4 | 8 | 16.5 | 28 | 8 | 9.5 | 17 | 25.4 | 8030299 | NPFC-E1-2G14-FM | 10 |
| G3/8 | G3/8 | 11 | 21.5 | 32 | 9 | 10 | 22 | 47.56 | 8030300 | NPFC-E1-2G38-FM | 10 |
| G1/2 | G1/2 | 15 | 25 | 35 | 10 | 11 | 26 | 59.8 | 8030301 | NPFC-E1-2G12-FM | 10 |
| E2 | | | | | | | | | | | |
| G1/8 | G1/8 | 5.5 | 13 | 32 | 6 | 7.5 | 14 | 21.4 | 8030302 | NPFC-E2-2G18-FM | 10 |
| G1/4 | G1/4 | 8 | 16.5 | 35 | 8 | 9.5 | 17 | 31.76 | 8030303 | NPFC-E2-2G14-FM | 10 |
| E3 | | | | | | | | | | | |
| G1/8 | G1/8 | 5.5 | 13 | 42 | 6 | 7.5 | 14 | 27.2 | 8030304 | NPFC-E3-2G18-FM | 10 |
| G1/4 | G1/4 | 8 | 16.5 | 51 | 8 | 9.5 | 17 | 47.1 | 8030305 | NPFC-E3-2G14-FM | 10 |
| E4 | | | | | | | | | | | |
| G1/8 | G1/8 | 5.5 | 13 | 51 | 6 | 7.5 | 14 | 33.1 | 8030306 | NPFC-E4-2G18-FM | 10 |

1) Packaging unit


Datasheet

Double nipple NPFC-D
M/G thread

| Dimensions and ordering data | | D3 | L1 | L2 | L3 | ±G1 | Weight/ piece [g] | Part no. | Type | PU ¹⁾ |
|------------------------------|------|-----|------|-----|-----|-----|-------------------------|----------|---------------------------------|------------------|
| Connection | | ∅ | | | | | | | | |
| D1 | D2 | | | | | | | | | |
| M3 | M3 | 1.5 | 10 | 2.8 | 2.8 | 5 | 1 | 8069210 | NPFC-D-2M3-M | 10 |
| M5 | M5 | 2.5 | 11.5 | 4 | 4 | 8 | 2.47 | 8030267 | NPFC-D-2M5-M | 10 |
| | G1/8 | 2.5 | 14.5 | 4 | 6 | 14 | 8.8 | 8069211 | NPFC-D-M5-G18-M | 10 |
| M7 | G1/8 | 4 | 15.5 | 4 | 6 | 14 | 8.7 | 8030268 | NPFC-D-M7-G18-M | 10 |
| G1/8 | G1/8 | 5.5 | 16.5 | 6 | 6 | 14 | 9.7 | 8030269 | NPFC-D-2G18-M | 10 |
| | | | | | | | | 8069212 | NPFC-D-2G18-M-P100 | 100 |
| | | | | | | | | 8133311 | NPFC-D-2G18-M-F1A ²⁾ | 1 |
| | G1/4 | 5.5 | 19 | 6 | 8 | 17 | 15.8 | 8030270 | NPFC-D-G18-G14-M | 10 |
| | G3/8 | 5.5 | 20 | 6 | 9 | 19 | 20.5 | 8030271 | NPFC-D-G18-G38-M | 10 |
| G1/4 | G1/4 | 8 | 21 | 8 | 8 | 17 | 17.2 | 8030272 | NPFC-D-2G14-M | 10 |
| | | | | | | | | 8069213 | NPFC-D-2G14-M-P100 | 100 |
| | G3/8 | 8 | 22 | 8 | 9 | 19 | 22.4 | 8030273 | NPFC-D-G14-G38-M | 10 |
| | G1/2 | 8 | 23.5 | 8 | 10 | 24 | 33.35 | 8030274 | NPFC-D-G14-G12-M | 10 |
| G3/8 | G3/8 | 11 | 23 | 9 | 9 | 19 | 24 | 8030275 | NPFC-D-2G38-M | 10 |
| | | | | | | | | 8069214 | NPFC-D-2G38-M-P50 | 50 |
| | G1/2 | 11 | 24.5 | 9 | 10 | 24 | 35.2 | 8030276 | NPFC-D-G38-G12-M | 10 |
| G1/2 | G1/2 | 15 | 25.5 | 10 | 10 | 24 | 35.75 | 8030277 | NPFC-D-2G12-M | 10 |
| | | | | | | | | 8069215 | NPFC-D-2G12-M-P50 | 50 |
| | G3/4 | 15 | 27.5 | 10 | 12 | 30 | 58.7 | 8069216 | NPFC-D-G12-G34-M | 10 |
| G3/4 | G3/4 | 20 | 29.5 | 12 | 12 | 30 | 63.7 | 8069217 | NPFC-D-2G34-M | 10 |

1) Packaging unit

2) Recommended for battery production

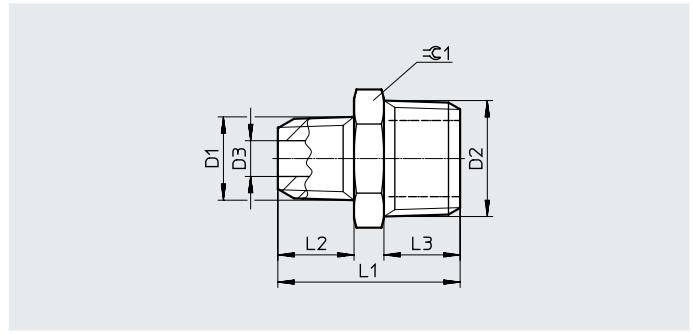

Note

F1A products are recommended for production plants for manufacturing lithium-ion batteries.

Metals with copper, zinc or nickel as the main constituent are excluded from use. Exceptions are nickel in steel, chemically nickel-plated surfaces, printed circuit boards, cables, electrical plug connectors and coils.

Datasheet

Double nipple NPFC-D
R thread

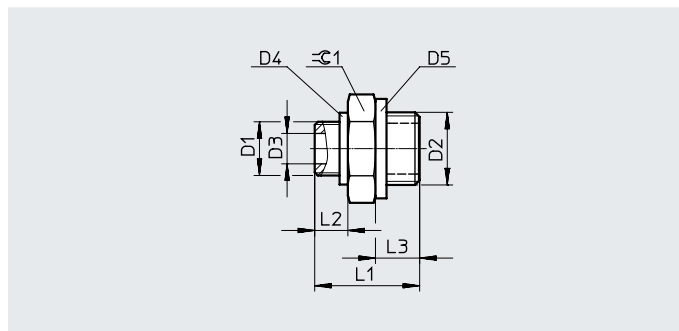
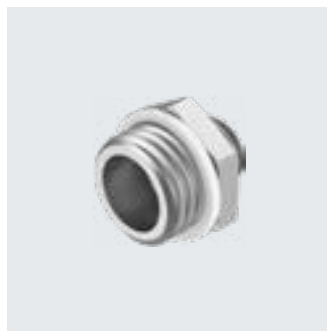


Dimensions and ordering data

| Connection | | D3 | L1 | L2 | L3 | $\pm e_1$ | Weight/ piece [g] | Part no. | Type | PU ¹⁾ |
|------------|------|---------------|------|------|------|-----------|-------------------------|----------|------------------|------------------|
| D1 | D2 | \varnothing | | | | | | | | |
| R1/8 | R1/8 | 5.5 | 19.5 | 7.5 | 7.5 | 12 | 9.4 | 8030278 | NPFC-D-2R18-M | 10 |
| | R1/4 | 5.5 | 23.5 | 7.5 | 11 | 14 | 14.7 | 8030279 | NPFC-D-R18-R14-M | 10 |
| | R3/8 | 5.5 | 24 | 7.5 | 11.5 | 17 | 20.16 | 8030280 | NPFC-D-R18-R38-M | 10 |
| R1/4 | R1/4 | 8 | 27 | 11 | 11 | 14 | 17.9 | 8030281 | NPFC-D-2R14-M | 10 |
| | R3/8 | 8 | 27.5 | 11 | 11.5 | 17 | 23.4 | 8030282 | NPFC-D-R14-R38-M | 10 |
| | R1/2 | 8 | 30.5 | 11 | 14 | 22 | 35.43 | 8030283 | NPFC-D-R14-R12-M | 10 |
| R3/8 | R3/8 | 11 | 28 | 11.5 | 11.5 | 17 | 26.27 | 8030284 | NPFC-D-2R38-M | 10 |
| | R1/2 | 11 | 31 | 11.5 | 14 | 22 | 38.42 | 8030285 | NPFC-D-R38-R12-M | 10 |
| R1/2 | R1/2 | 15 | 33.5 | 14 | 14 | 22 | 41.1 | 8030286 | NPFC-D-2R12-M | 10 |
| | R3/4 | 15 | 37.5 | 14 | 16.5 | 27 | 68.5 | 8030287 | NPFC-D-R12-R34-M | 10 |
| R3/4 | R3/4 | 19 | 40 | 16.5 | 16.5 | 27 | 80.14 | 8030288 | NPFC-D-2R34-M | 10 |
| R1 | R1 | 24 | 46.5 | 19 | 19 | 34 | 147.33 | 8030289 | NPFC-D-2R1-M | 10 |

1) Packaging unit

Datasheet

Double nipple NPFC-DS
G thread

| General technical data | | | | | | | | | | |
|-------------------------------------------------------|-----------------------------------------|---------|---------|---------|---------|---------|---------|---------|--------|-------|
| Type | G18-G18 | G18-G14 | G14-G14 | G14-G38 | G14-G12 | G38-G38 | G38-G12 | G12-G12 | M5-G18 | M5-M5 |
| Operating pressure [bar] | -0.95 ... 10 | | | | | | | | | |
| Operating medium | Compressed air to ISO 8573-1:2010 [:::] | | | | | | | | | |
| Ambient temperature [°C] | -10 ... 60 | | | | | | | | | |
| Nominal tightening torque Pneumatic connection 1 [Nm] | 10.55 | 9.05 | 9.05 | 38.5 | 47.9 | 38.5 | 47.9 | 47.9 | 10.55 | 1.78 |
| Nominal tightening torque Pneumatic connection 2 [Nm] | 10.55 | 10.55 | 9.05 | 9.05 | 9.05 | 38.5 | 38.5 | 47.9 | 1.78 | 1.78 |
| Tolerance for Nominal tightening torque [%] | ±20 | | | | | | | | | |
| Corrosion resistance class ¹⁾ [CRC] | 1 | | | | | | | | | |
| Note on materials | RoHS-compliant | | | | | | | | | |
| Sealing material | PVC | | | | | | | | | |
| Threaded fitting material | Brass, nickel-plated | | | | | | | | | |

1) Corrosion resistance class CRC 1 to Festo standard FN 940070

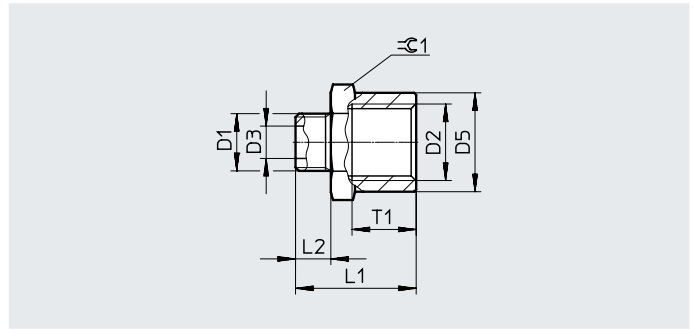
Low corrosion stress. Dry internal application or transport and storage protection. Also applies to parts behind covers, in the non-visible interior area, or parts that are covered in the application (e.g. drive trunnions).

| Dimensions and ordering data | | | | | | | | | | | | |
|------------------------------|------|-----|------|------|------|----|----|--------------|-------------------------|----------------|--------------------------|------------------|
| Connection | | D3 | D4 | D5 | L1 | L2 | L3 | $\approx C1$ | Weight/ piece [g] | Part no. | Type | PU ¹⁾ |
| D1 | D2 | ∅ | | | | | | | | | | |
| G1/8 | G1/8 | 5.5 | G1/8 | G1/8 | 16.5 | 6 | 6 | 14 | 9.94 | 8142583 | NPFC-DS-G18-G18-M | 10 |
| | G1/4 | 5.5 | G1/8 | G1/4 | 19 | 6 | 8 | 17 | 16.23 | 8142584 | NPFC-DS-G18-G14-M | 10 |
| G1/4 | G1/4 | 8 | G1/4 | G1/4 | 21 | 8 | 8 | 17 | 17.82 | 8142585 | NPFC-DS-G14-G14-M | 10 |
| G1/4 | G3/8 | 8 | G1/4 | G3/8 | 22 | 8 | 9 | 19 | 23.13 | 8142586 | NPFC-DS-G14-G38-M | 10 |
| G1/4 | G1/2 | 8 | G1/4 | G1/2 | 23.5 | 8 | 10 | 24 | 34.4 | 8142587 | NPFC-DS-G14-G12-M | 10 |
| G3/8 | G3/8 | 11 | G3/8 | G3/8 | 23 | 9 | 9 | 19 | 24.84 | 8142588 | NPFC-DS-G38-G38-M | 10 |
| G3/8 | G1/2 | 11 | G3/8 | G1/2 | 24.5 | 9 | 10 | 24 | 36.36 | 8142589 | NPFC-DS-G38-G12-M | 10 |
| G1/2 | G1/2 | 15 | G1/2 | G1/2 | 25.5 | 10 | 10 | 24 | 37.23 | 8142590 | NPFC-DS-G12-G12-M | 10 |
| M5 | G1/8 | 2.5 | M5 | G1/8 | 14.5 | 4 | 6 | 14 | 8.96 | 8142591 | NPFC-DS-M5-G18-M | 10 |
| M5 | M5 | 2.5 | M5 | M5 | 11.5 | 4 | 4 | 8 | 2.55 | 8142592 | NPFC-DS-M5-M5-M | 10 |

1) Packaging unit

Datasheet

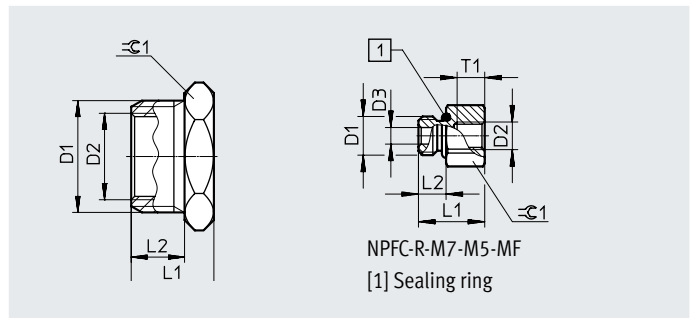
Reducing nipple NPFC-R
Female thread/male thread



| Connection | | D3 | D5 | L1 | L2 | T1 | $\approx C1$ | Weight/ piece [g] | Part no. | Type | PU ¹⁾ |
|------------|------|---------------|---------------|------|----|------|--------------|-------------------------|----------|-------------------|------------------|
| D1 | D2 | \varnothing | \varnothing | | | | | | | | |
| M5 | G1/8 | 2.5 | 13.5 | 14.5 | 4 | 7.4 | 14 | 9.3 | 8030314 | NPFC-R-G18-M5-FM | 10 |
| G1/8 | G1/4 | 5.5 | 17 | 20.5 | 6 | 9.5 | 17 | 17.8 | 8030315 | NPFC-R-G14-G18-FM | 10 |
| | G3/8 | 5.5 | 21.5 | 21.5 | 6 | 10.5 | 22 | 30.1 | 8030316 | NPFC-R-G38-G18-FM | 10 |
| G1/4 | G3/8 | 8 | 21.5 | 23.5 | 8 | 10.5 | 22 | 32 | 8030317 | NPFC-R-G38-G14-FM | 10 |
| G3/8 | G1/2 | 11 | 25 | 27.5 | 9 | 13 | 26 | 45.1 | 8030318 | NPFC-R-G12-G38-FM | 10 |

1) Packaging unit

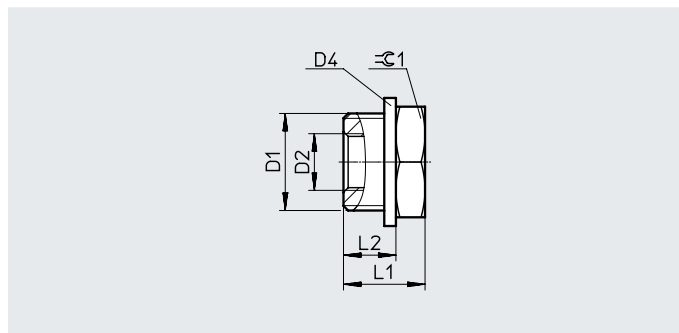
Reducing nipple NPFC-R
Male thread/female thread



| Connection | | D3 | L1 | L2 | T1 | $\approx C1$ | Weight/piece [g] | Part no. | Type | PU ¹⁾ |
|------------|------|---------------|------|----|----|--------------|---------------------|----------|------------------------|-------------------|
| D1 | D2 | \varnothing | | | | | | | | |
| M5 | M3 | - | 6.5 | 4 | - | 7 | 1.2 | 8069227 | NPFC-R-M5-M3-MF | 10 |
| M7 | M5 | 3 | 12 | 5 | 4 | 10 | 5.1 | 8069228 | NPFC-R-M7-M5-MF | 10 |
| G1/8 | M5 | - | 10.5 | 6 | - | 14 | 8.2 | 8030307 | NPFC-R-G18-M5-MF | 10 |
| G1/4 | M5 | - | 13 | 8 | - | 17 | 17.6 | 8069229 | NPFC-R-G14-M5-MF | 10 |
| | G1/8 | - | 13 | 8 | - | 17 | 10.8 | 8030308 | NPFC-R-G14-G18-MF | 10 |
| G3/8 | G1/8 | - | 14 | 9 | - | 19 | 19.4 | 8069230 | NPFC-R-G14-G18-MF-P100 | 100 |
| | G1/4 | - | 14 | 9 | - | 19 | 13 | 8030309 | NPFC-R-G38-G18-MF | 10 |
| | | - | - | 14 | 9 | - | 19 | 13 | 8030310 | NPFC-R-G38-G14-MF |
| G1/2 | G1/4 | - | 15.5 | 10 | - | 24 | 31.4 | 8069231 | NPFC-R-G38-G14-MF-P50 | 50 |
| | | - | 15.5 | 10 | - | 24 | 22.1 | 8030311 | NPFC-R-G12-G14-MF | 10 |
| | G3/8 | - | 15.5 | 10 | - | 24 | 22.1 | 8069232 | NPFC-R-G12-G14-MF-P50 | 50 |
| | | - | 15.5 | 10 | - | 24 | 22.1 | 8030312 | NPFC-R-G12-G38-MF | 10 |
| G3/4 | G1/4 | - | 17.5 | 12 | - | 30 | 72.3 | 8069233 | NPFC-R-G12-G38-MF-P50 | 50 |
| | G3/8 | - | 17.5 | 12 | - | 30 | 64 | 8069234 | NPFC-R-G34-G14-MF | 10 |
| | G1/2 | - | 17.5 | 12 | - | 30 | 39.3 | 8030313 | NPFC-R-G34-G38-MF | 10 |
| G1 | G1/2 | - | 20 | 12 | - | 40 | 133.9 | 8069235 | NPFC-R-G34-G12-MF | 10 |
| | G3/4 | - | 20 | 12 | - | 40 | 96.2 | 8069236 | NPFC-R-G1-G12-MF | 10 |
| | | | | | | | | 8069237 | NPFC-R-G1-G34-MF | 10 |
| | | | | | | | | 8069238 | NPFC-R-G1-G34-MF | 10 |

1) Packaging unit

Datasheet

Reducing nipple NPFC-RS
G thread

| General technical data | | | | | | | | | | |
|------------------------------------------------|-----------------------------------------|---------|---------|---------|---------|---------|---------|---------|--------|--------|
| Type | G18-M5 | G14-G18 | G38-G18 | G38-G14 | G12-G14 | G12-G38 | G34-G12 | G34-G38 | G1-G12 | G1-G34 |
| Operating pressure [bar] | -0.95 ... 10 | | | | | | | | | |
| Operating medium | Compressed air to ISO 8573-1:2010 [:::] | | | | | | | | | |
| Ambient temperature [°C] | -10 ... 60 | | | | | | | | | |
| Nominal tightening torque [Nm] | 10.55 | 9.05 | 38.5 | 38.5 | 47.9 | 47.9 | 45 | 45 | 62.5 | 62.5 |
| Pneumatic connection 1 | | | | | | | | | | |
| Tolerance for Nominal tightening torque [%] | ±20 | | | | | | | | | |
| Corrosion resistance class ¹⁾ [CRC] | 1 | | | | | | | | | |
| Note on materials | RoHS-compliant | | | | | | | | | |
| Sealing material | PVC | | | | | | | | | |
| Threaded fitting material | Brass, nickel-plated | | | | | | | | | |

| Dimensions and ordering data | | | | | | | | | | |
|------------------------------|------|------|------|----|----------|-------------------------|----------|--------------------|------------------|----|
| Connection | | D4 | L1 | L2 | $\pm C1$ | Weight/ piece [g] | Part no. | Type | PU ¹⁾ | |
| D1 | D2 | | | | | | | | | |
| G1/8 | M5 | G1/8 | 10.5 | 6 | 14 | 8.32 | 8142593 | NPFC-RS-G18-M5-MF | | 10 |
| G1/4 | G1/8 | G1/4 | 13 | 8 | 17 | 11.11 | 8142594 | NPFC-RS-G14-G18-MF | | 10 |
| G3/8 | G1/8 | G3/8 | 14 | 9 | 19 | 19.82 | 8142595 | NPFC-RS-G38-G18-MF | | 10 |
| G3/8 | G1/4 | G3/8 | 14 | 9 | 19 | 13.42 | 8142596 | NPFC-RS-G38-G14-MF | | 10 |
| G1/2 | G1/4 | G1/2 | 15.5 | 10 | 24 | 32.14 | 8142597 | NPFC-RS-G12-G14-MF | | 10 |
| G1/2 | G3/8 | G1/2 | 15.5 | 10 | 24 | 22.84 | 8142598 | NPFC-RS-G12-G38-MF | | 10 |
| G3/4 | G1/2 | G3/4 | 17.5 | 12 | 30 | 40.18 | 8142599 | NPFC-RS-G34-G12-MF | | 10 |
| G3/4 | G3/8 | G3/4 | 17.5 | 12 | 30 | 64.88 | 8142600 | NPFC-RS-G34-G38-MF | | 10 |
| G1 | G1/2 | G1 | 20 | 12 | 40 | 134.79 | 8142601 | NPFC-RS-G1-G12-MF | | 10 |
| G1 | G3/4 | G1 | 20 | 12 | 40 | 97.09 | 8142602 | NPFC-RS-G1-G34-MF | | 10 |

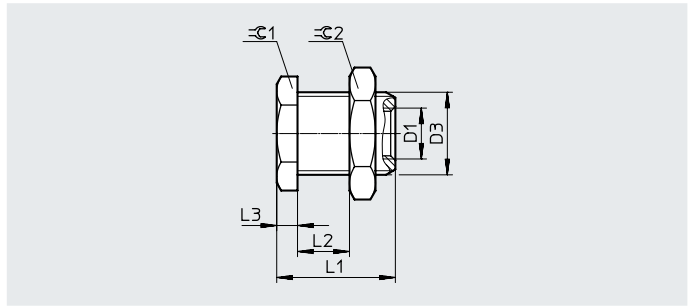
1) Corrosion resistance class CRC 1 to Festo standard FN 940070

Low corrosion stress. Dry internal application or transport and storage protection. Also applies to parts behind covers, in the non-visible interior area, or parts that are covered in the application (e.g. drive trunnions).

2) Packaging unit

Datasheet

Bulkhead fitting NPFC-H



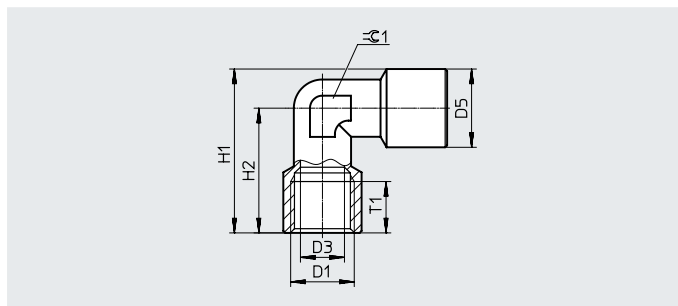
Dimensions and ordering data

| Connection | D3 | L1 | L2 | L3 | ∅1 | ∅2 | Weight/ piece [g] | Part no. | Type | PU ¹⁾ |
|------------|---------|------|------|----|----|----|-------------------------|----------|--------------|------------------|
| D1 | | | max. | | | | | | | |
| M5 | M10x1 | 15.5 | 8 | 4 | 13 | 13 | 12 | 8069239 | NPFC-H-M5-F | 10 |
| G1/8 | M14x1.5 | 20 | 11 | 5 | 17 | 17 | 30 | 8069240 | NPFC-H-G18-F | 10 |
| G1/4 | M20x1.5 | 22 | 12 | 5 | 24 | 24 | 55.1 | 8069241 | NPFC-H-G14-F | 10 |
| G3/8 | M24x1.5 | 26.5 | 12.5 | 8 | 27 | 27 | 93 | 8069242 | NPFC-H-G38-F | 10 |
| G1/2 | M30x1.5 | 28.5 | 14.5 | 8 | 36 | 36 | 111.6 | 8069243 | NPFC-H-G12-F | 10 |

1) Packaging unit

Datasheet

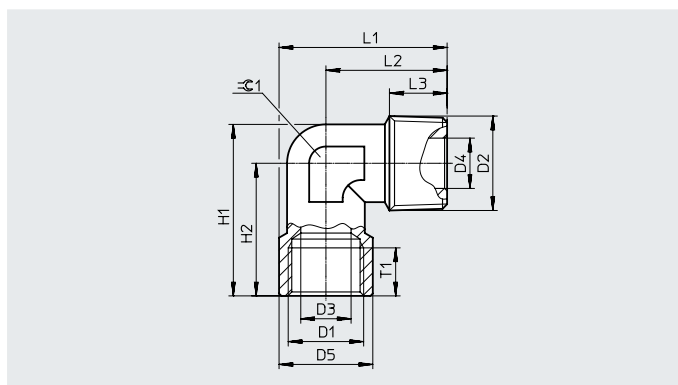
Elbow fitting NPFC-L Female thread



| Dimensions and ordering data | | | | | | | | | | |
|------------------------------|-----|------|------|------|------|-----|-------------------------|----------|---------------|------------------|
| Connection | D3 | D5 | H1 | H2 | T1 | ≈G1 | Weight/ piece [g] | Part no. | Type | PU ¹⁾ |
| D1 | ∅ | ∅ | | | | | | | | |
| M5 | 4.2 | 8.5 | 15.3 | 11 | 4 | 9 | 8.8 | 8030208 | NPFC-L-2M5-F | 10 |
| G1/8 | 6 | 13 | 27.5 | 21 | 7.4 | 11 | 22.5 | 8030209 | NPFC-L-2G18-F | 10 |
| G1/4 | 8 | 16.5 | 33.8 | 25.5 | 9.5 | 13 | 36.2 | 8030210 | NPFC-L-2G14-F | 10 |
| G3/8 | 11 | 20.5 | 38.3 | 28 | 10.5 | 17 | 54.1 | 8030211 | NPFC-L-2G38-F | 10 |
| G1/2 | 15 | 25.5 | 44.8 | 32 | 13 | 20 | 91.5 | 8030212 | NPFC-L-2G12-F | 10 |
| G3/4 | 19 | 32 | 52.5 | 36.5 | 14.5 | 27 | 161 | 8030213 | NPFC-L-2G34-F | 10 |
| G1 | 24 | 39 | 64.5 | 45 | 16.5 | 30 | 238 | 8030214 | NPFC-L-2G1-F | 10 |

1) Packaging unit

Elbow fitting NPFC-L Male thread/female thread

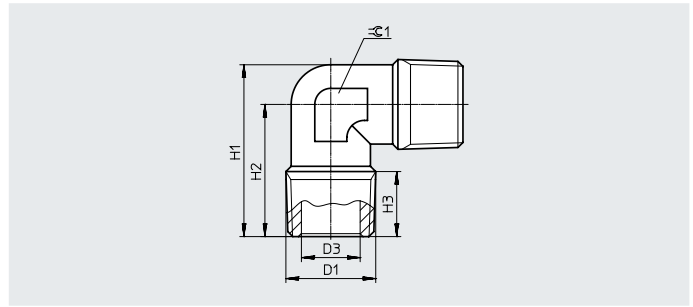


| Dimensions and ordering data | | | | | | | | | | | | | | | |
|------------------------------|------|----|-----|------|------|------|------|------|------|------|-------------------------|----------|---------|-------------------|----|
| Connection | D3 | D4 | D5 | H1 | H2 | L1 | L2 | L3 | T1 | ≈G1 | Weight/ piece [g] | Part no. | Type | PU ¹⁾ | |
| D1 | D2 | ∅ | ∅ | ∅ | | | | | | | | | | | |
| M5 | M5 | 3 | 2.5 | 8.5 | 15.8 | 11.5 | 15.8 | 11.5 | 4 | 5 | 9 | 8.5 | 8030215 | NPFC-L-2M5-MF | 10 |
| G1/8 | R1/8 | 6 | 5.5 | 13 | 26 | 19 | 24.5 | 18 | 7.5 | 7.4 | 11 | 19.8 | 8030216 | NPFC-L-R18-G18-MF | 10 |
| G1/4 | R1/4 | 8 | 8 | 16.5 | 31.5 | 25.5 | 32.3 | 24 | 11 | 9.5 | 13 | 32.3 | 8030217 | NPFC-L-R14-G14-MF | 10 |
| G3/8 | R3/8 | 11 | 11 | 20.5 | 35.5 | 28 | 37.3 | 27 | 11.5 | 10.5 | 17 | 48.7 | 8030218 | NPFC-L-R38-G38-MF | 10 |
| G1/2 | R1/2 | 15 | 15 | 25.5 | 41.7 | 32 | 42.3 | 29.5 | 14 | 13 | 20 | 77.8 | 8030219 | NPFC-L-R12-G12-MF | 10 |
| G3/4 | R3/4 | 20 | 20 | 32 | 48.5 | 36.5 | 48 | 32 | 14.7 | 14.5 | 27 | 131.7 | 8030220 | NPFC-L-R34-G34-MF | 10 |
| G1 | R1 | 24 | 24 | 39 | 59.5 | 45 | 58.5 | 39 | 15.7 | 16.5 | 30 | 197.4 | 8030221 | NPFC-L-R1-G1-MF | 10 |

1) Packaging unit

Datasheet

Elbow fitting NPFC-L
Male thread

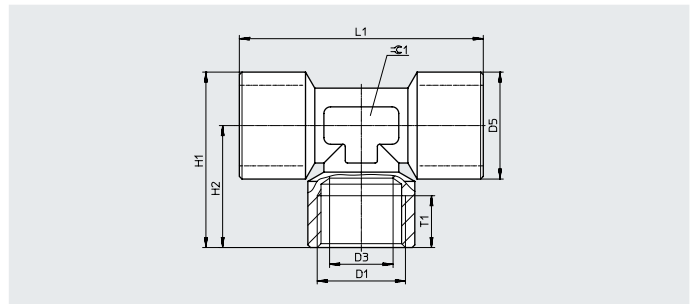


Dimensions and ordering data

| Connection | D3 | H1 | H2 | H3 | ≈G1 | Weight/ piece [g] | Part no. | Type | PU ¹⁾ |
|------------|-----|------|------|------|-----|-------------------------|----------|---------------|------------------|
| D1 | ∅ | | | | | | | | |
| M5 | 2.5 | 15.8 | 11.5 | 4 | 9 | 7.7 | 8030222 | NPFC-L-2M5-M | 10 |
| R1/8 | 5.5 | 23 | 18 | 7.5 | 11 | 16.1 | 8030223 | NPFC-L-2R18-M | 10 |
| R1/4 | 8 | 31 | 24 | 11 | 13 | 27.7 | 8030224 | NPFC-L-2R14-M | 10 |
| R3/8 | 11 | 34.5 | 27 | 11.5 | 17 | 43.3 | 8030225 | NPFC-L-2R38-M | 10 |
| R1/2 | 15 | 39.2 | 29.5 | 14 | 20 | 62 | 8030226 | NPFC-L-2R12-M | 10 |
| R3/4 | 19 | 44 | 32 | 13 | 27 | 102.6 | 8030227 | NPFC-L-2R34-M | 10 |

1) Packaging unit

T-fitting NPFC-T
Female thread



Dimensions and ordering data

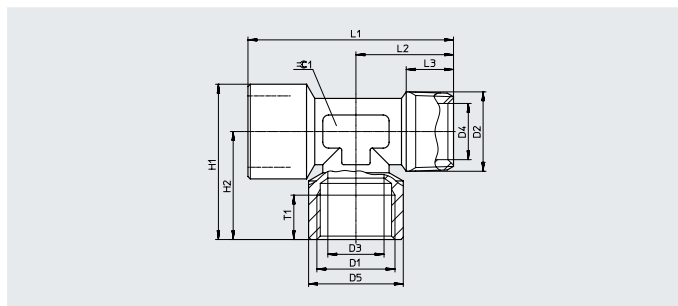
| Connection | D3 | D5 | H1 | H2 | L1 | T1 | ≈G1 | Weight/ piece [g] | Part no. | Type | PU ¹⁾ |
|------------|----|------|------|------|----|------|-----|-------------------------|----------|---------------|------------------|
| D1 | ∅ | ∅ | | | | | | | | | |
| G1/8 | 6 | 13 | 26 | 19.5 | 39 | 7.4 | 12 | 28.9 | 8030235 | NPFC-T-3G18-F | 10 |
| G1/4 | 8 | 16.5 | 32.8 | 24.5 | 49 | 9.5 | 13 | 49.3 | 8030236 | NPFC-T-3G14-F | 10 |
| G3/8 | 11 | 20.5 | 37.3 | 27 | 54 | 10.5 | 16 | 71.9 | 8030237 | NPFC-T-3G38-F | 10 |
| G1/2 | 15 | 25.5 | 44.8 | 32 | 64 | 13 | 20 | 129.3 | 8030238 | NPFC-T-3G12-F | 10 |
| G3/4 | 19 | 32 | 52.5 | 36.5 | 73 | 14.5 | 27 | 214.3 | 8030239 | NPFC-T-3G34-F | 10 |
| G1 | 24 | 39 | 64.5 | 45 | 90 | 16.5 | 30 | 353 | 8030240 | NPFC-T-3G1-F | 10 |

1) Packaging unit

Datasheet

T-fitting NPFC-T

Female thread/male thread/female thread

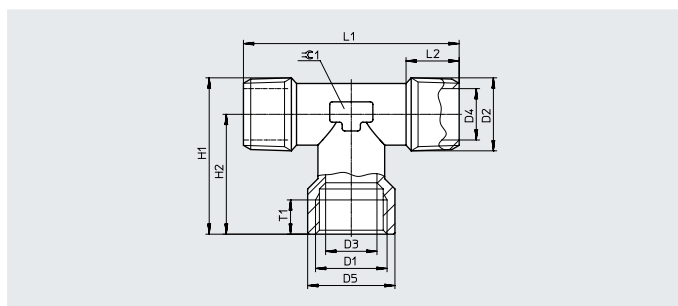


| Connection | | D3 | D4 | D5 | H1 | H2 | L1 | L2 | L3 | T1 | $\approx \text{D1}$ | Weight/ piece [g] | Part no. | Type | PU ¹⁾ |
|------------|------|---------------|---------------|---------------|------|------|------|------|------|------|---------------------|-------------------------|----------|---------------------|------------------|
| D1 | D2 | \varnothing | \varnothing | \varnothing | | | | | | | | | | | |
| M5 | M5 | 3 | 2.5 | 8.5 | 15.3 | 12 | 22 | 11 | 4 | 5 | 9 | 10.9 | 8030245 | NPFC-T-3M5-FMF | 10 |
| G1/8 | R1/8 | 6 | 6 | 13 | 26 | 19.5 | 37 | 17.5 | 7.5 | 7.4 | 12 | 26 | 8030246 | NPFC-T-2G18-R18-FMF | 10 |
| G1/4 | R1/4 | 8 | 8 | 16.5 | 32.8 | 24.6 | 47.5 | 23 | 11 | 9.5 | 13 | 44.4 | 8030247 | NPFC-T-2G14-R14-FMF | 10 |
| G3/8 | R3/8 | 11 | 11 | 20.5 | 37.3 | 27.1 | 52.5 | 25.5 | 11.5 | 10.5 | 16 | 65.8 | 8030248 | NPFC-T-2G38-R38-FMF | 10 |
| G1/2 | R1/2 | 15 | 15 | 25.5 | 44.8 | 32.1 | 61.5 | 29.5 | 14 | 13 | 20 | 114.2 | 8030249 | NPFC-T-2G12-R12-FMF | 10 |
| G3/4 | R3/4 | 19 | 19 | 32 | 52.5 | 36.5 | 68.5 | 32 | 14 | 14.5 | 27 | 186 | 8030250 | NPFC-T-2G34-R34-FMF | 10 |
| G1 | R1 | 24 | 24 | 39 | 64.5 | 45 | 84 | 39 | 16 | 16.5 | 30 | 296 | 8030251 | NPFC-T-2G1-R1-FMF | 10 |

1) Packaging unit

T-fitting NPFC-T

Female thread/male thread, male thread

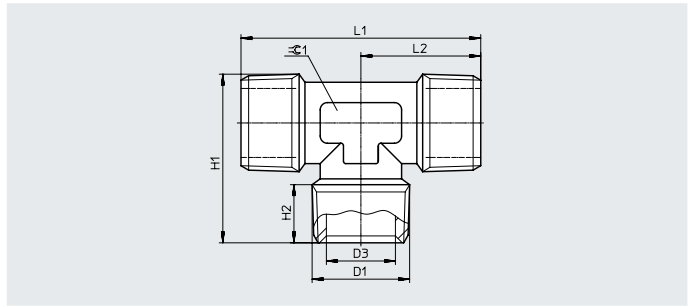


| Connection | | D3 | D4 | D5 | H1 | H2 | L1 | L2 | T1 | $\approx \text{D1}$ | Weight/ piece [g] | Part no. | Type | PU ¹⁾ |
|------------|------|---------------|---------------|---------------|------|------|------|------|------|---------------------|-------------------------|----------|---------------------|------------------|
| D1 | D2 | \varnothing | \varnothing | \varnothing | | | | | | | | | | |
| G1/8 | R1/8 | 6 | 5.5 | 13 | 24.5 | 19.5 | 35 | 7.5 | 7.4 | 12 | 23.1 | 8030255 | NPFC-T-G18-2R18-FMM | 10 |
| G1/4 | R1/4 | 8 | 8 | 16.5 | 31 | 24.5 | 46 | 11 | 9.5 | 13 | 40.3 | 8030256 | NPFC-T-G14-2R14-FMM | 10 |
| G3/8 | R3/8 | 11 | 11 | 20.5 | 35.5 | 27 | 51.5 | 11.5 | 10.5 | 16 | 60.8 | 8030257 | NPFC-T-G38-2R38-FMM | 10 |
| G1/2 | R1/2 | 15 | 15 | 25.5 | 42.8 | 32 | 59 | 14 | 13 | 20 | 100.7 | 8030258 | NPFC-T-G12-2R12-FMM | 10 |

1) Packaging unit

Datasheet

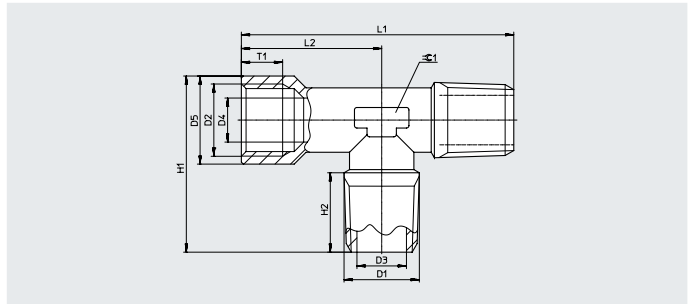
T-fitting NPFC-T
Male thread



| Dimensions and ordering data | | | | | | | | | | |
|------------------------------|---------------|------|------|------|------|---------------------|-------------------------|----------------|----------------------|------------------|
| Connection | D3 | H1 | H2 | L1 | L2 | $\approx \text{G}1$ | Weight/ piece [g] | Part no. | Type | PU ¹⁾ |
| D1 | \varnothing | | | | | | | | | |
| R1/4 | 8 | 29.8 | 11 | 46 | 23 | 13 | 36.2 | 8030252 | NPFC-T-3R14-M | 10 |
| R3/8 | 11 | 34.1 | 11.5 | 51.5 | 25.5 | 16 | 54.9 | 8030253 | NPFC-T-3R38-M | 10 |
| R1/2 | 15 | 40.3 | 14 | 59 | 29.5 | 20 | 86 | 8030254 | NPFC-T-3R12-M | 10 |

1) Packaging unit

T-fitting NPFC-T
Male thread/male thread/female
thread



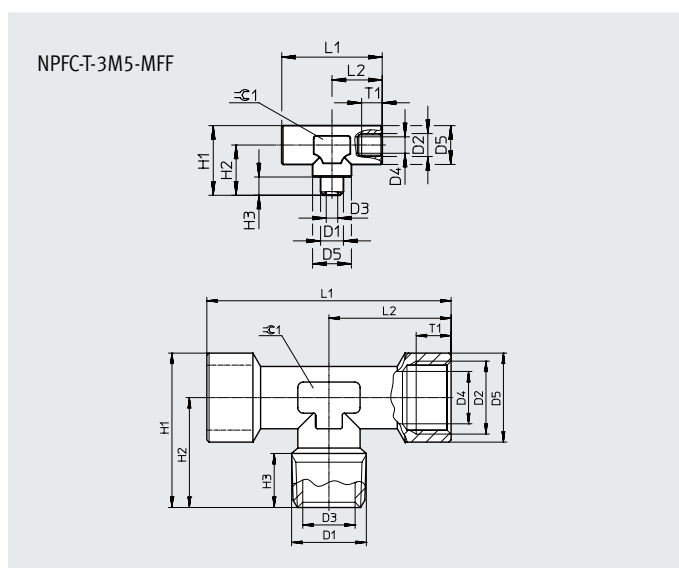
| Dimensions and ordering data | | | | | | | | | | | | | | |
|------------------------------|------|---------------|---------------|---------------|------|-----|------|------|---------------------|-------------------------|----------|----------------|----------------------------|-----------|
| Connection | D3 | D4 | D5 | H1 | H2 | L1 | L2 | T1 | $\approx \text{G}1$ | Weight/ piece [g] | Part no. | Type | PU ¹⁾ | |
| D1 | D2 | \varnothing | \varnothing | \varnothing | | | | | | | | | | |
| R1/8 | G1/8 | 5.5 | 6 | 13 | 24 | 7.5 | 37 | 19.5 | 7.4 | 12 | 23.2 | 8030259 | NPFC-T-2R18-G18-MMF | 10 |
| R1/4 | G1/4 | 8 | 8 | 16.5 | 31.3 | 11 | 47.5 | 24.5 | 9.5 | 13 | 40.3 | 8030260 | NPFC-T-2R14-G14-MMF | 10 |
| R1/2 | G1/2 | 15 | 15 | 25.5 | 42.3 | 14 | 61.5 | 32 | 13 | 20 | 100.6 | 8030261 | NPFC-T-2R12-G12-MMF | 10 |

1) Packaging unit

Datasheet

T-fitting NPFC-T

Male thread/female thread/female thread

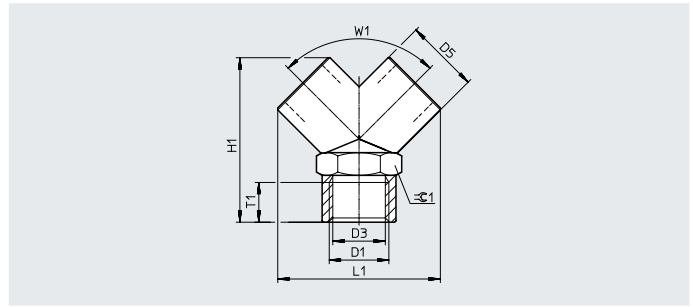


| Connection | | D3 | D4 | D5 | H1 | H2 | H3 | L1 | L2 | T1 | $\approx \pm 1$ | Weight/ piece [g] | Part no. | Type | PU ¹⁾ |
|------------|------|-----|----|------|------|------|------|----|------|------|-----------------|-------------------------|----------|---------------------|------------------|
| D1 | D2 | ∅ | ∅ | ∅ | | | | | | | | | | | |
| M5 | M5 | 2.5 | 3 | 8.5 | 15.3 | 11 | 4 | 22 | 11 | 4.5 | 9 | 10.6 | 8069244 | NPFC-T-3M5-MFF | 10 |
| R1/8 | G1/8 | 5.5 | 6 | 13 | 24 | 17.5 | 8 | 39 | 19.5 | 7.4 | 12 | 26.3 | 8030241 | NPFC-T-R18-2G18-MFF | 10 |
| R1/4 | G1/4 | 8 | 8 | 16.5 | 31.3 | 23 | 11 | 49 | 24.5 | 9.5 | 13 | 45 | 8030242 | NPFC-T-R14-2G14-MFF | 10 |
| R3/8 | G3/8 | 11 | 11 | 20.5 | 35.8 | 25.5 | 11.5 | 54 | 27 | 10.5 | 16 | 65.9 | 8030243 | NPFC-T-R38-2G38-MFF | 10 |
| R1/2 | G1/2 | 15 | 15 | 25.5 | 41.8 | 29 | 14 | 64 | 32 | 13 | 20 | 114.7 | 8030244 | NPFC-T-R12-2G12-MFF | 10 |

1) Packaging unit

Datasheet

Y-fitting NPFC-Y
Female thread

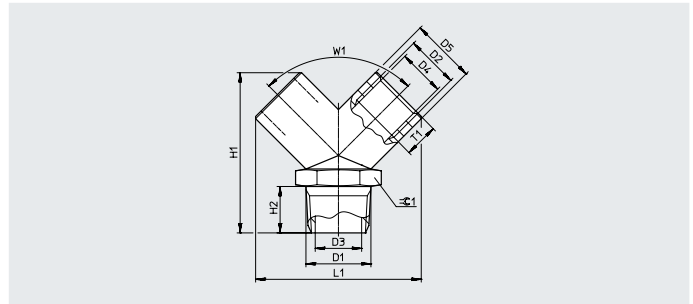


Dimensions and ordering data

| Connection | D3 | D5 | H1 | L1 | T1 | W1 | $\approx C1$ | Weight/ piece [g] | Part no. | Type | PU ¹⁾ |
|------------|-------------|-------------|------|------|------|-----|--------------|-------------------------|----------|---------------|------------------|
| D1 | \emptyset | \emptyset | | | | | | | | | |
| G1/4 | 11.5 | 17 | 36.8 | 36.8 | 9.5 | 90° | 17 | 41.6 | 8030228 | NPFC-Y-3G14-F | 10 |
| G3/8 | 15 | 22 | 46 | 46 | 10.5 | 90° | 22 | 91.9 | 8030229 | NPFC-Y-3G38-F | 10 |
| G1/2 | 18.5 | 26 | 58 | 57.3 | 13 | 90° | 26 | 144.6 | 8030230 | NPFC-Y-3G12-F | 10 |

1) Packaging unit

Y-fitting NPFC-Y
Male thread/female thread/female
thread



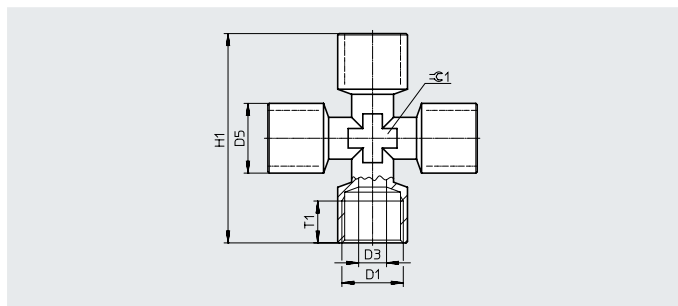
Dimensions and ordering data

| Connection | D3 | D4 | D5 | H1 | H2 | L1 | T1 | W1 | $\approx C1$ | Weight/ piece [g] | Part no. | Type | PU ¹⁾ | |
|------------|------|-------------|-------------|-------------|------|------|------|------|--------------|-------------------------|----------|---------|---------------------|----|
| D1 | D2 | \emptyset | \emptyset | \emptyset | | | | | | | | | | |
| R1/8 | G1/8 | 5.5 | 8.5 | 14 | 32.8 | 9 | 32.5 | 8.5 | 90° | 14 | 30.7 | 8030231 | NPFC-Y-R18-2G18-MFF | 10 |
| R1/4 | G1/4 | 8 | 11.5 | 17 | 37 | 11 | 37 | 9.5 | 90° | 17 | 40.8 | 8030232 | NPFC-Y-R14-2G14-MFF | 10 |
| R3/8 | G3/8 | 11 | 15 | 22 | 46 | 12.5 | 46 | 10.5 | 90° | 22 | 86.7 | 8030233 | NPFC-Y-R38-2G38-MFF | 10 |
| R1/2 | G1/2 | 15 | 18.5 | 26 | 58 | 16.5 | 57.3 | 13 | 90° | 26 | 138.5 | 8030234 | NPFC-Y-R12-2G12-MFF | 10 |

1) Packaging unit

Datasheet

X-fitting NPFC-X Female thread

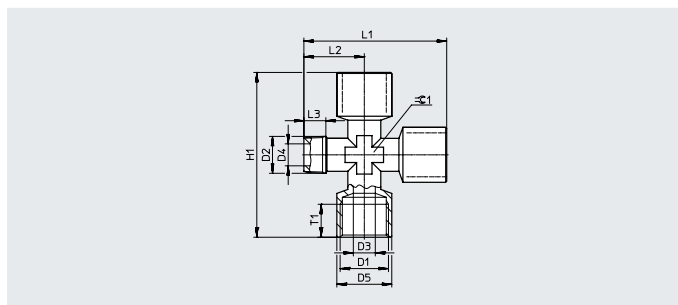


Dimensions and ordering data

| Connection | D3 | D5 | H1 | T1 | $\approx G1$ | Weight/ piece [g] | Part no. | Type | PU ¹⁾ |
|------------|---------------|---------------|----|------|--------------|-------------------------|----------|---------------|------------------|
| D1 | \varnothing | \varnothing | | | | | | | |
| G1/4 | 8 | 16.5 | 50 | 9.5 | 13 | 63.7 | 8030262 | NPFC-X-4G14-F | 10 |
| G3/8 | 11 | 20.5 | 56 | 10.5 | 17 | 100.1 | 8030263 | NPFC-X-4G38-F | 10 |
| G1/2 | 15 | 25.5 | 64 | 13 | 20 | 164.1 | 8030264 | NPFC-X-4G12-F | 10 |

1) Packaging unit

X-fitting NPFC-X Male thread/female thread/ female thread/female thread



Dimensions and ordering data

| Connection | D3 | D4 | D5 | H1 | L1 | L2 | L3 | T1 | $\approx G1$ | Weight/ piece [g] | Part no. | Type | PU ¹⁾ | |
|------------|------|---------------|---------------|---------------|----|------|------|----|--------------|-------------------------|----------|---------|----------------------|----|
| D1 | D2 | \varnothing | \varnothing | \varnothing | | | | | | | | | | |
| G1/4 | R1/4 | 8 | 8 | 16.5 | 50 | 48.5 | 23.5 | 11 | 9.5 | 13 | 59.6 | 8030265 | NPFC-X-R14-3G14-MFFF | 10 |
| G1/2 | R1/2 | 15 | 15 | 25.5 | 64 | 61 | 29 | 14 | 13 | 20 | 146.7 | 8030266 | NPFC-X-R12-3G12-MFFF | 10 |

1) Packaging unit