

Condensate drain WA/PWEA



FESTO




Datasheet

Function



-  - Temperature range
0 ... +60°C
-  - Operating pressure
1.5 ... 16 bar



 **Note**

For the automatic condensate drain WA-2 to close, it requires a flow rate of 125 l/min, which occurs at approx. 1.5 bar.

For attaching to service unit components and compressed air networks/systems. Condensed water in the compressed air is separated in appropriate filters. The condensate that accumulates must be emptied from time to time, as otherwise it would be drawn in and could lead to faults in downstream components. The devices shown ensure the condensate is automatically drained off.

They contain a float which opens a poppet valve when a certain condensate level is reached. This drains the condensate that has been collected. If a manual override is additionally installed, the condensate can also be drained manually.

- Automatic emptying after the max. fill level has been reached
- Automatic emptying after the operating pressure $p < 0.5$ bar is switched off
- Manual actuation during operation is possible

General technical data

Type	WA-1-B	WA-2
Pneumatic connection	M9	M9
Condensate drain connection	G1/4	PK-4
Design	External, mechanically operated, fully automatic condensate drain valve	
Measured variable	Filling level	
Type of mounting	In-line installation	
Mounting position	Vertical, $\pm 10^\circ$	Vertical, $\pm 5^\circ$
Valve function	2/2-way valve, closed, monostable	2/2-way valve, open, monostable
Manual override	Non-detenting	

Operating and environmental conditions

Type	WA-1-B	WA-2
Operating pressure [bar]	4 ... 16	1.5 ... 14
Operating medium	Water	
Ambient temperature [°C]	0 ... +60	0 ... +50
Temperature of medium [°C]	0 ... +60	0 ... +50
Storage temperature [°C]	-20 ... +60	-20 ... +60
Corrosion resistance class CRC ¹⁾	2	

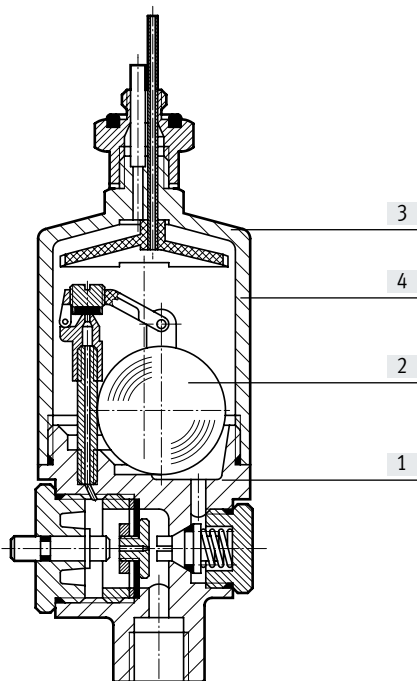
1) Corrosion resistance class CRC 2 to Festo standard FN 940070

Moderate corrosion stress. Indoor applications in which condensation can occur. External visible parts with primarily decorative surface requirements which are in direct contact with a normal industrial environment.

Datasheet

Materials

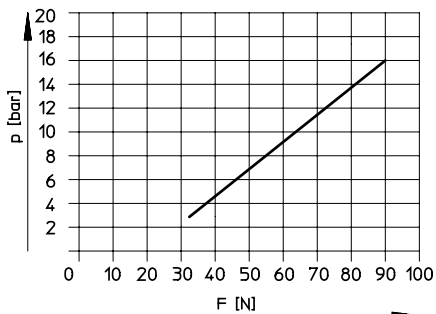
Sectional view



Condensate drain	WA-1-B	WA-2
[1] Housing	Brass	Brass
[2] Float	Polypropylene	Polyacetal
[3] Hood	Polyamide	Wrought aluminium alloy
[4] Bowl	-	Polycarbonate
- Seals	Nitrile rubber	Nitrile rubber
Note on materials	-	Contains paint-wetting impairment substances

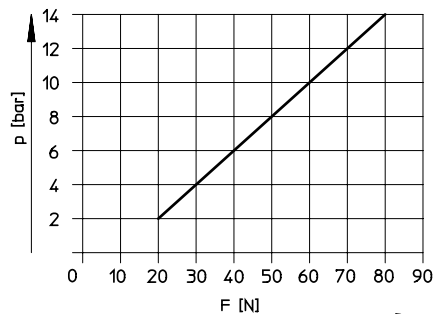
Actuating force F for manual actuation as a function of input pressure p

WA-1-B



Primary pressure p1 = 7 bar

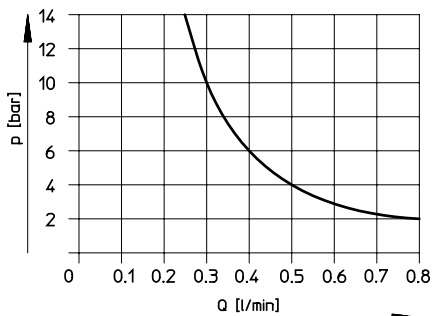
WA-2



Primary pressure p1 = 7 bar

Max. possible condensate flow rate qn as a function of input pressure p

WA-2

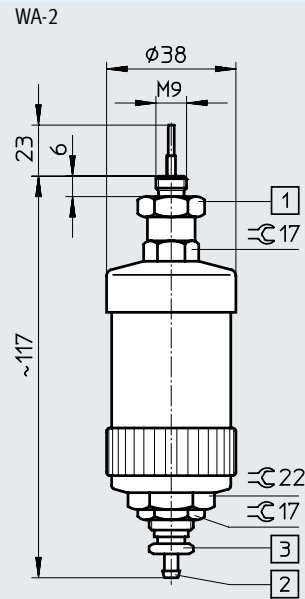
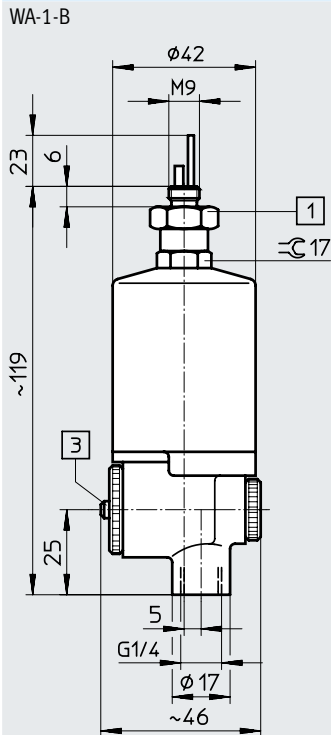


Primary pressure p1 = 7 bar

Datasheet

Dimensions

Download CAD data → www.festo.com





[1] Adapter SW17

[2] Barbed connector for plastic tubing PCN-4

[3] Manual override

Ordering data

	Pneumatic connection	Valve function	Weight [g]	Part no.	Type
	M9	2/2-way valve, closed, monostable	210	158497	WA-1-B
	M9	2/2-way valve, open, monostable	92	152810	WA-2

Datasheet



- - Temperature range
+1 ... +60°C
- - Operating pressure
0.8 ... 16.0 bar
- - www.festo.com



Condensate passes through the connecting bore in the bottom of the filter bowl into the attached condensate drain valve, where it is collected in a reservoir. A capacitive sensor detects when the maximum filling level is reached.

The condensate escapes into the atmosphere via the opening diaphragm valve through the discharge pipe. The diaphragm valve closes again after a specified response time. A residual amount of condensate remains in the reservoir so that no compressed air can escape into the discharge line.

- Fully automatic condensate drain with independent electric controller
- Interface available for communicating with master control device
- Reliable thanks to non-contacting capacitive sensor
- Can be used with service units or simply in piping systems
- Operated via touch-sensitive keys or electrical interface
- Ready status and switching status indicated via LEDs and electrical interface

General technical data		PWEA-AC-6A	PWEA-AC-7A	PWEA-AC-3D
Type				
Pneumatic connection		G1/2		
Condensate drain connection		PK-8		
Design		External, electrically operated, fully automatic condensate drain valve		
Measured variable		Filling level		
Type of mounting		In-line installation		
Mounting position		Vertical ±5°		
Valve function		3/2-way single solenoid valve, closed		
Manual override		Non-detenting		

Electrical data		PWEA-AC-6A	PWEA-AC-7A	PWEA-AC-3D
Type				
Electrical connection		Screw terminal PG9		
Nominal operating voltage	[V AC]	115	230	-
	[V DC]	-	-	24
Mains frequency	[Hz]	50/60		-
Nominal power of condensate drain	[VA]	2	2	-
	[W]	-	-	2
Control elements		Touch-sensitive keypad with test button		
Ready status indication/switching status indication		LED		
Alarm output		Contacting		
Protection class (IEC 60529)		IP65		
Protection class		II	II	III

Datasheet

Operating and environmental conditions		PWEA-AC-6A	PWEA-AC-7A	PWEA-AC-3D
Type				
Operating pressure [bar]		0.8 ... 16		
Operating medium		Compressed air to ISO 8573-1:2010 [-:-:-]		
PWIS conformity		VDMA24364-B1/B2-L		
Ambient temperature [°C]		+1 ... +60		
Temperature of medium [°C]		+1 ... +60		
Storage temperature [°C]		+10 ... +60		
Corrosion resistance class CRC ¹⁾		2		
CE marking (see declaration of conformity ²⁾)		To EU EMC Directive		
		To EU Low Voltage Directive		-
UKCA marking (see declaration of conformity ²⁾)		UK regs EMC		
		UK regs RoHS		
		UK regs electrical equipment		
Certification		C-Tick		
KC mark		KC EMC		

1) Corrosion resistance class CRC 2 to Festo standard FN 940070

Moderate corrosion stress. Indoor applications in which condensation can occur. External visible parts with primarily decorative surface requirements which are in direct contact with a normal industrial environment.

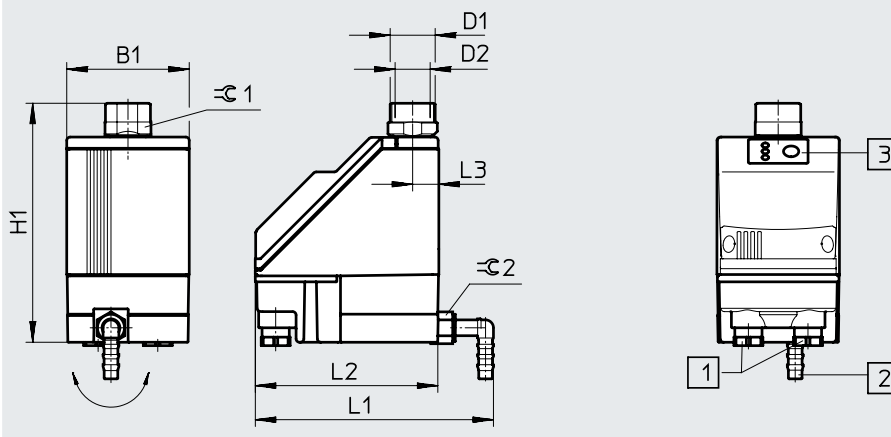
2) For information about the area of use, see the EC declaration of conformity at: www.festo.com/catalogue/wa → Support/Downloads.

If the devices are subject to usage restrictions in residential, commercial or light-industrial environments, further measures for the reduction of the emitted interference may be necessary.

Materials	
Housing	Plastic
Condensate reservoir	Wrought aluminium alloy
Seals	NBR, FPM, PU
Note on materials	RoHS-compliant
	Free of copper and PTFE

Dimensions

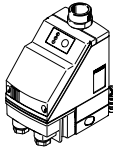
Download CAD data → www.festo.com



- [1] Screw terminal PG9
- [2] Connection can be rotated 360° for plastic tubing PUN-H-12x2
- [3] Touch-sensitive keypad with LED display

B1	D1	D2	H1	L1	L2	L3	≅ 1	≅ 2
72	G3/4	G1/2	140	140	108	15	27	16

Ordering data

	Electrical connection	Nominal operating voltage		Weight [g]	Part no.	Type
		[V AC]	[V DC]			
	Screw terminal PG9	115	-	700	538679	PWEA-AC-6A
		230	-	700	538680	PWEA-AC-7A
		-	24	700	538681	PWEA-AC-3D