

Reverse jet pulse valves VZWE, solenoid actuated



# Reverse jet pulse valves VZWE, solenoid actuated



Key features and product range overview

## Function

Reverse jet pulse valves VZWE are piloted 2/2-way valves. They generate pulses of compressed air using a suitable solenoid coil for mechanically cleaning filters and dust filter systems. The valves are actuated using short electrical pulses.

These pulses generate short pulses of compressed air at the output of the valve, which travel through the filter against the normal direction of flow of the filter system to release adhering particles from the filter.

## General information

-  - Connecting thread  
G 3/4 ... G 2 1/2
-  - Flow rate Kv  
15 ... 210 m<sup>3</sup>/h

## Design

- 2/2-way NC valve with diaphragm

## Advantages

- High flow rates
- Fast opening and closing times
- Sturdy pilot system

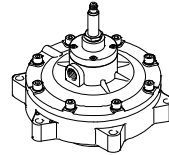
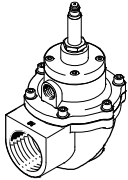
## Application

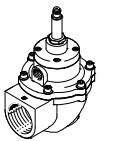
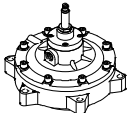
- Used in various filter systems for cleaning the filter elements
- Product filter systems
- Supply air filter systems
- Exhaust air filter systems

## Variants

Angle valve, angle design

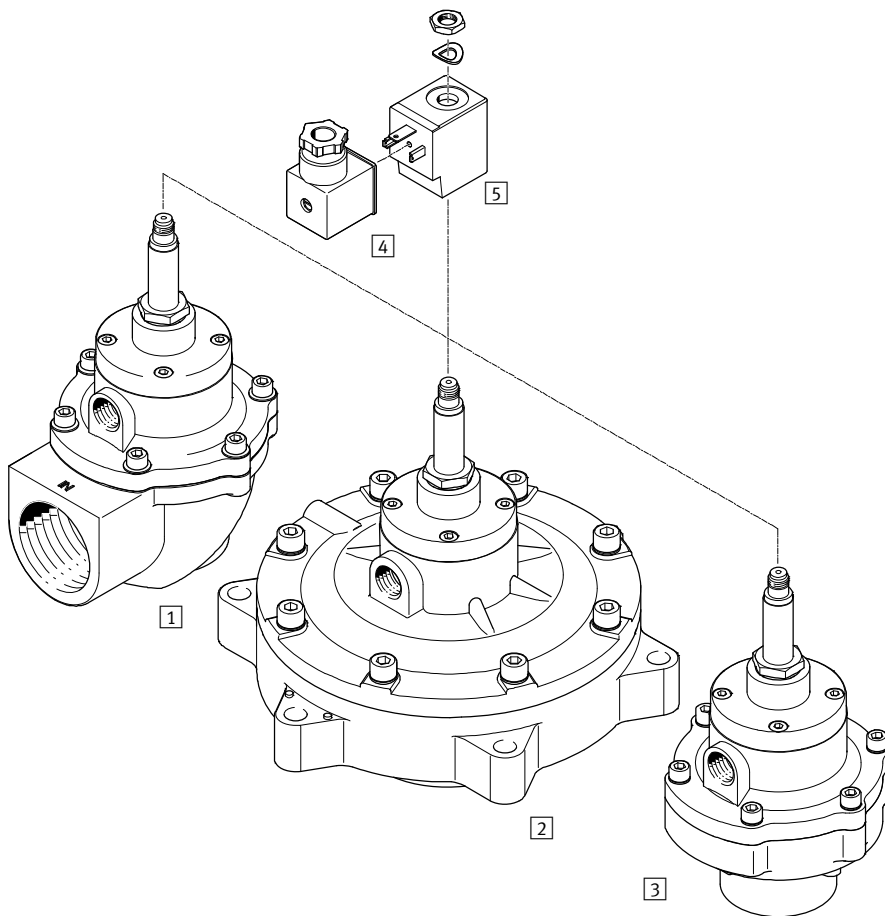
Flanged valve, straight design



Design	Type	Process valve connection	Nominal size DN	→ Page/Internet
<b>Angle valve, angle design</b>				
	VZWE-E-...	G 3/4	20	5
		G 1	25	
		G 1 1/2	40	
		G 2	50	
		G 2 1/2	62	
<b>Flanged valve, straight design</b>				
	VZWE-F-...	G 1	25	8
		G 1 1/2	40	
		F600	50	
		F750	62	
		F890	76	

# Reverse jet pulse valves VZWE, solenoid actuated

Peripherals overview



Mounting components and accessories		
	Brief description	→ Page/Internet
1	Angle valve VZWE-E-...-M-...-H	5
2	Flanged valve VZWE-F-...-M-...-H	8
3	Angle valve VZWE-E-...-M-...-H	5
4	Plug socket MSSD-C	12
5	Solenoid coil VACN	12

# Reverse jet pulse valves VZWE, solenoid actuated

Type codes

VZWE - E - M22C - M - G2 - 500 - H

**Type**

VZWE	Reverse jet pulse valves, solenoid actuated
------	---

**Type of directional control valve**

E	Angle valve (angle design)
F	Flanged valve (straight design)

**Valve function**

M22C	2/2-way valve, single solenoid
------	--------------------------------

**Reset method for single solenoid valves**

M	Mechanical spring
---	-------------------

**Process valve connection**

Pipe thread to DIN ISO 228

G34	Thread G 3/4
G1	Thread G 1
G112	Thread G 1 1/2
G2	Thread G 2
G212	Thread G 2 1/2

Flange diameter

F600	60 mm
F750	75 mm
F890	89 mm

**Nominal size**

200	20 mm
250	25 mm
400	40 mm
500	50 mm
620	62 mm
760	76 mm

**Electrical connection**

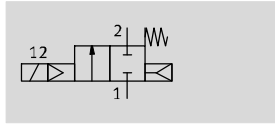
H	14 mm, with armature tube
---	---------------------------

# Reverse jet pulse valves VZWE, solenoid actuated

FESTO

Technical data – Angle valve

Function



- - Flow rate Kv  
15 ... 95 m<sup>3</sup>/h

- - Connecting thread  
G 3/4 ... G 2 1/2



General technical data						
Nominal size	[mm]	20	25	40	50	62
Valve function		2/2-way, single solenoid, closed				
Manual override		None				
Design		Diaphragm valve, angle design				
Reset method		Mechanical spring				
Type of control		Piloted				
Actuation type		Electric				
Type of mounting		Via thread, screwed in				
Mounting position		Any				
Direction of flow		Non-reversible				
Switching time on	[ms]	≤30				
Switching time off	[ms]	≤100				
Flow rate Kv	[m <sup>3</sup> /h]	15	22	48	78	95
Process valve connection 1		G 3/4	G 1	G 1 1/2	G 2	G 2 1/2
Process valve connection 2		G 3/4	G 1	G 1 1/2	G 2	G 2 1/2

Operating and environmental conditions	
Medium	Compressed air according to ISO 8573-1:2010 [7:4:4]
Note about the operating/pilot medium	Lubricated operation not possible
Medium pressure	[bar] 0.35 ... 8
Differential pressure	[bar] 0.35
Ambient temperature	[°C] -20 ... 60
Protection class	IP65
Corrosion resistance class CRC <sup>1)</sup>	3

1) Corrosion resistance class 3 according to Festo standard 940 070  
Components subject to high corrosion stress. Externally visible parts with primarily functional surface requirements which are in direct contact with a normal industrial environment or media such as solvents and cleaning agents.

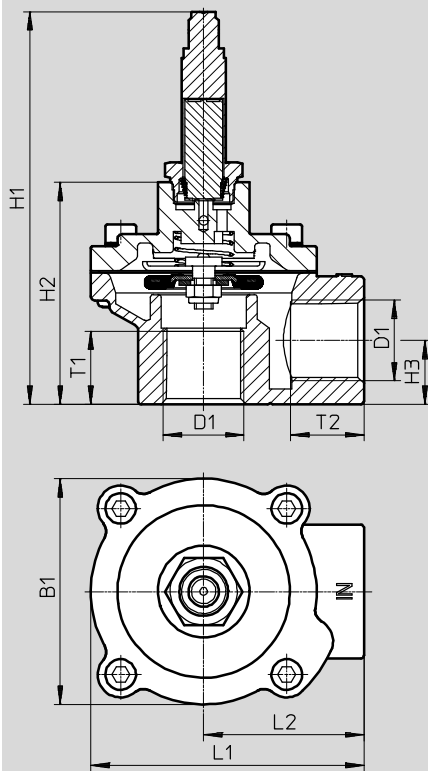
Materials		
Reverse jet pulse valves		Material number
1 Valve housing	Die-cast aluminium	EN AC-47100D
2 Screws	High-alloy steel	1.4301
3 Armature tube	High-alloy steel	-
- Seal	Nitrile rubber	-
- Diaphragm	Nitrile rubber/polyamide	-
- Note on materials	Contains PWIS (paint-wetting impairment substances), RoHS-compliant	-

# Reverse jet pulse valves VZWE, solenoid actuated

Technical data – Angle valve

Dimensions

Download CAD data → [www.festo.com](http://www.festo.com)



Type	B1	D1	H1	H2	H3	L1	L2	T1	T2
VZWE-E-M22C-M-G34-200-H	74	G 3/4	128.8	72.8	21	89.5	52.5	24	24
VZWE-E-M22C-M-G1-250-H	74	G 1	128.8	72.8	21	89.5	52.5	24	21.5

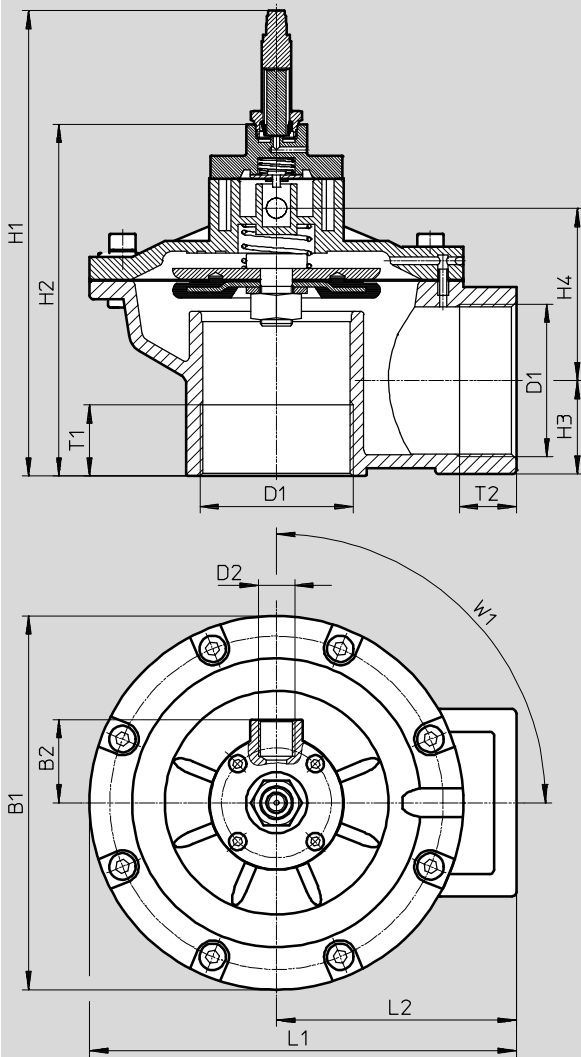
# Reverse jet pulse valves VZWE, solenoid actuated

Technical data – Angle valve

FESTO

## Dimensions

Download CAD data → [www.festo.com](http://www.festo.com)



Type	B1	B2	D1	D2	H1	H2	H3	H4	L1	L2	T1	T2	W1
VZWE-E-M22C-M-G112-400-H	112	39	G 1 1/2	G 3/8	187	131.5	31.5	59.8	124	74	34	34	0
VZWE-E-M22C-M-G2-500-H	184	41	G 2	G 3/8	210	154	40	72.8	205	92	25	25	90
VZWE-E-M22C-M-G212-620-H	184	41	G 2 1/2	G 3/8	229	173	47	131.8	210	92	35	28	90

## Ordering data – Reverse jet pulse valves VZWE

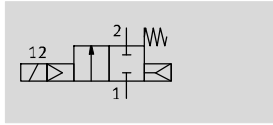
	Process valve connection	Weight [g]	Part No.	Type
	G 3/4	420	1794182	VZWE-E-M22C-M-G34-200-H
	G 1	420	1795142	VZWE-E-M22C-M-G1-250-H
	G 1 1/2	1300	1239565	VZWE-E-M22C-M-G112-400-H
	G 2	2800	1276955	VZWE-E-M22C-M-G2-500-H
	G 2 1/2	3100	1281702	VZWE-E-M22C-M-G212-620-H

# Reverse jet pulse valves VZWE, solenoid actuated

FESTO

Technical data – Flanged valve

Function



Flow rate Kv  
22 ... 210 m<sup>3</sup>/h

Connecting thread  
Ø 92 ... 162



General technical data						
Nominal size	[mm]	25	40	50	62	76
Valve function		2/2-way, single solenoid, closed				
Manual override		None				
Design		Diaphragm valve, straight design with flange				
Reset method		Mechanical spring				
Type of control		Piloted				
Actuation type		Electric				
Type of mounting		Via thread, screwed in				
Mounting position		Any				
Direction of flow		Non-reversible				
Switching time on	[ms]	≤30				
Switching time off	[ms]	≤100				
Flow rate	[m <sup>3</sup> /h]	22	48	78	95	210
Process valve connection 1	[mm]	G 1	G 1 1/2	60	75	89
Process valve connection 2	[mm]	59	74	145.5	145.5	162

Operating and environmental conditions	
Medium	Compressed air according to ISO 8573-1:2010 [7:4:4]
Note about the operating/pilot medium	Lubricated operation not possible
Medium pressure	[bar] 0.35 ... 8
Differential pressure	[bar] 0.35
Ambient temperature	[°C] –20 ... 60
Protection class	IP65
Corrosion resistance class CRC <sup>1)</sup>	3

1) Corrosion resistance class 3 according to Festo standard 940 070  
Components subject to high corrosion stress. Externally visible parts with primarily functional surface requirements which are in direct contact with a normal industrial environment or media such as solvents and cleaning agents.

Materials		
Reverse jet pulse valves		Material number
1 Housing	Die-cast aluminium	EN AC-47100D
2 Screws	High-alloy steel	1.4301
3 Armature tube	High-alloy steel	–
– Seal	Nitrile rubber	–
– Diaphragm	Nitrile rubber/polyamide	–
– Note on materials	Contains PWIS (paint-wetting impairment substances), RoHS-compliant	–

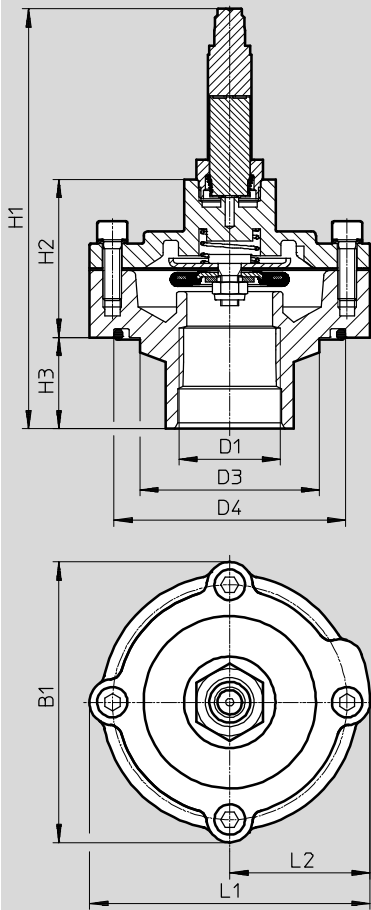


# Reverse jet pulse valves VZWE, solenoid actuated

Technical data – Flanged valve

Dimensions

Download CAD data → [www.festo.com](http://www.festo.com)



Type	B1	D1	D3 ∅	D4 ∅	H1	H2	H3	L1	L2
VZWE-F-M22C-M-G1-250-H	92	G 1	59	76	137.8	51.8	30	92	46

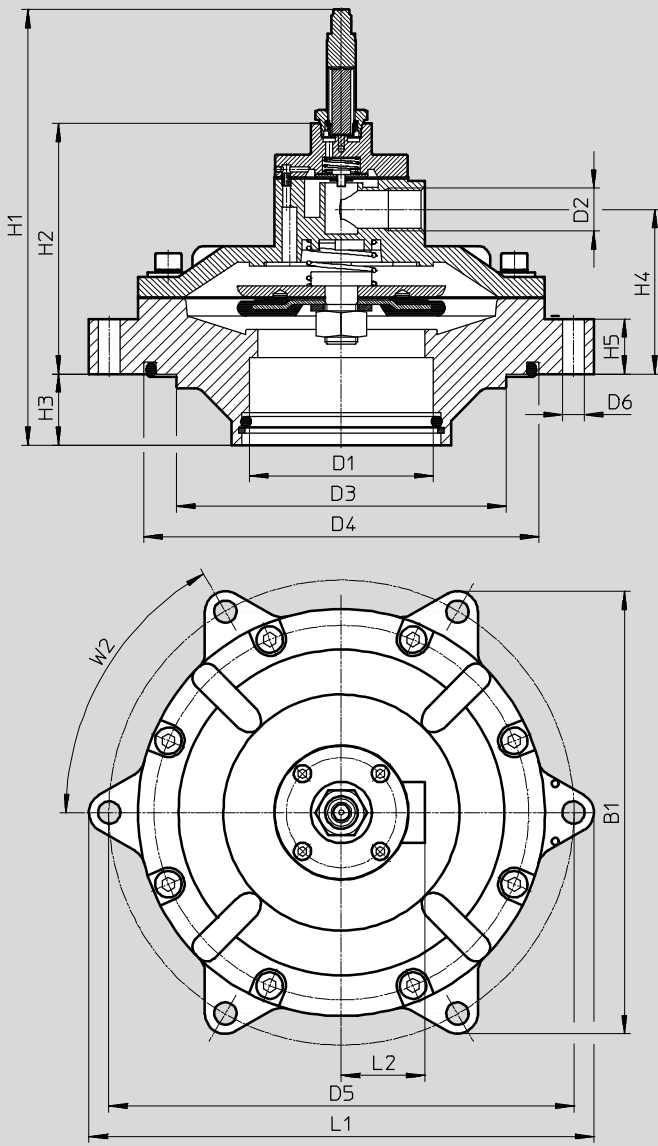
# Reverse jet pulse valves VZWE, solenoid actuated

Technical data – Flanged valve



## Dimensions

Download CAD data → [www.festo.com](http://www.festo.com)



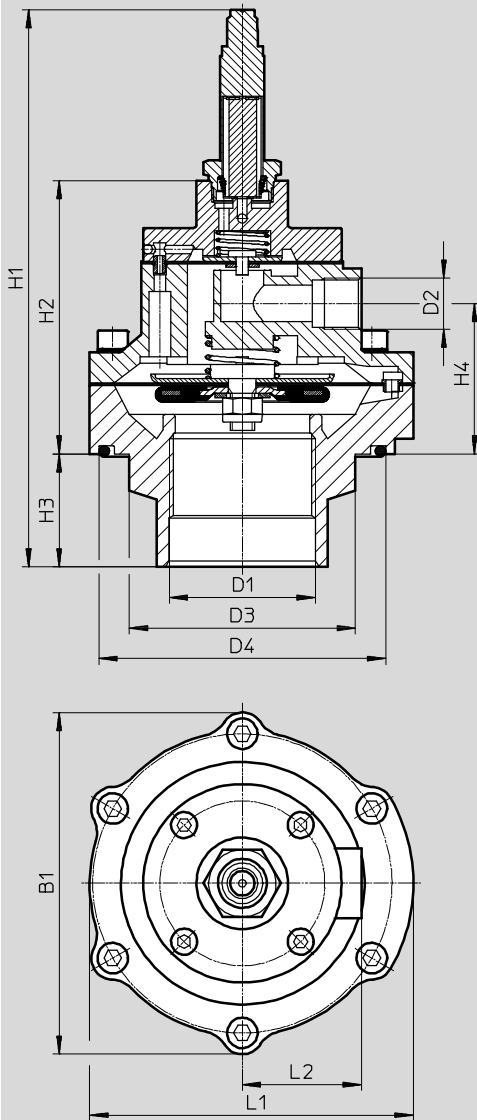
Type	B1	D1	D2	D3	D4	D5	D6	H1	H2	H3	H4	H5	L1	L2	W2
VZWE-F-M22C-M-F600-500-H	200	60 ∅	G 3/8	145.5 ∅	174 ∅	208 ∅	11 ∅	205	114	35	72.8	27	228	41	60
VZWE-F-M22C-M-F750-620-H	200	75 ∅	G 3/8	145.5 ∅	174 ∅	208 ∅	11 ∅	205	114	35	72.8	27	228	41	60
VZWE-F-M22C-M-F890-760-H	217	89 ∅	G 1/2	162 ∅	194 ∅	228 ∅	11 ∅	214	123	35	80.8	27	248	41	60

# Reverse jet pulse valves VZWE, solenoid actuated

Technical data – Flanged valve

## Dimensions

Download CAD data → [www.festo.com](http://www.festo.com)



Type	B1	D1	D2	D3 Ø	D4 Ø	H1	H2	H3	H4	L1	L2
VZWE-F-M22C-M-G112-400-H	112	G 1 1/2	G 3/8	74	94	182.5	89.6	37	49.3	112	39

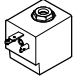
## Ordering data – Reverse jet pulse valves VZWE


	Process valve connection	Weight [g]	Part No.	Type
	G 1	430	<b>1795190</b>	VZWE-F-M22C-M-G1-250-H
	G 1 1/2	950	<b>1804475</b>	VZWE-F-M22C-M-G112-400-H
	F600	3300	<b>1808248</b>	VZWE-F-M22C-M-F600-500-H
	F750	3100	<b>1810664</b>	VZWE-F-M22C-M-F750-620-H
	F890	3600	<b>1214036</b>	VZWE-F-M22C-M-F890-760-H

## Reverse jet pulse valves VZWE, solenoid actuated

FESTO

Accessories

Ordering data – Solenoid coils VACN					
	Description		Thread mounting nut	Part No.	Type
	Without plug socket, plug pattern to EN 175301-803, type A	24 V DC	G1/8	<b>8022877</b>	<b>VACN-H1-A1-1</b>
		110 V AC	G1/8	<b>8022878</b>	<b>VACN-H1-A1-2A</b>
		230 V AC	G1/8	<b>8022879</b>	<b>VACN-H1-A1-3A</b>

Ordering data – Plug socket MSSD					
	Description		Cable connector	Part No.	Type
	Plug socket for valves with N1 solenoid coils, 3-pin		Pg9	<b>34583</b>	<b>MSSD-C</b>