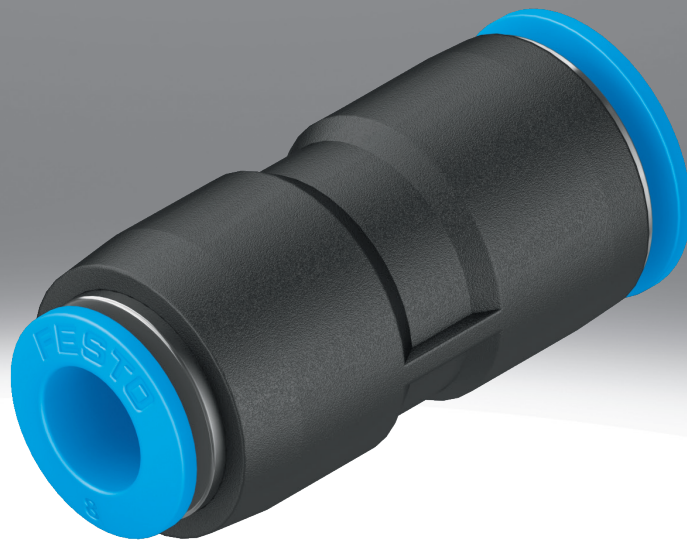


Push-in fitting QS

FESTO



Characteristics

At a glance

Standard series

- Wide range of variants: large selection for maximum flexibility in standard applications
- PBT and nickel-plated brass
- Operating medium: compressed air, vacuum, water

Note: All R threads are coated with a sealing material. This coating replaces the conventional sealing ring. Simply screw in the R thread by hand and tighten it by turning it once or twice with an open-ended spanner. The fitting can be screwed in up to five times. When screwing in the R threads several times, make sure that the abrasion of the sealing material coating cannot get into the compressed air system.

Additional documents

[Link](#)  [qs](#)



The additional document PUSH-IN-FITTINGS-ADD contains further information on tubing/fitting combinations and thread types, as well as installation instructions.

Diagrams

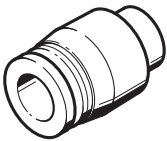
[Link](#)  [qs](#)



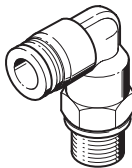
The diagrams shown in this document are also available online. These can be used to display precise values.

Design

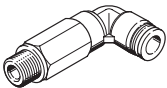
[C] Blanking plug



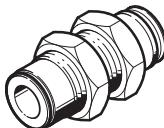
[L] L-shape



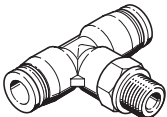
[LL] L-shape, long version



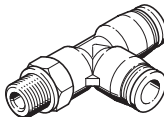
[S] Push-in bulkhead connector



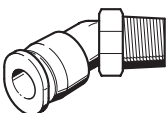
[T] T-shape



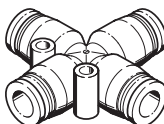
[TL] T-shape, additional push-in connector, lengthwise



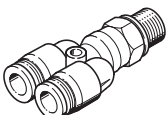
[W] 45° elbow



[X] X-shape

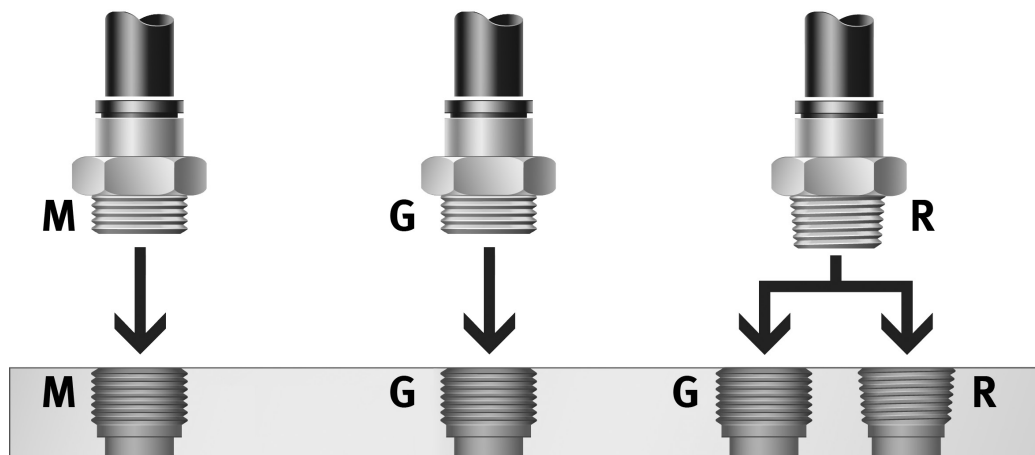


[Y] Y-shape



Characteristics

Pneumatic connection 1



Push-in fittings for different tube outside diameters can be combined with push-in fittings, push-in sleeves, metric male threads, male R and G threads.

Which fitting fits into which thread?

- Metric thread: Threads are comparable to G threads and are mounted in metric cylindrical threads. Tightness is ensured by a chambered O-ring.
- G thread to ISO 228-1: shorter thread, constant installation depth, replaceable sealing ring, seal on the front, reusable several times thanks to replaceable sealing ring.
- R thread to EN 10226-1 and ISO 7/1: self-locking thread, seal on the thread, no additional sealing surface required, smaller installation dimensions as no shoulder for sealing surface, can be reused up to 5 times. If male R threads are combined with female G threads, leakage can occur if the female G thread was not manufactured cleanly or if it is not within permissible tolerances. In this case additional sealing, e.g. using a sealing band, is required.

Releasing ring

Tube mounting:

The prerequisite for ensuring that the inner seal is securely held and protected against damage is that the tube is cut into straight lengths and deburred.

- Insert the tubing as far as the stop. It is important to ensure that the tubing is inserted into the inner seal. Depending on the tolerance between the tubing and the seal, the contact of the tubing with the seal may be incorrectly interpreted as the stop.
- Check that the tubing connection is secure by pulling gently on the tube.

Tubing disassembly:

- The tubing can be detached easily by pressing and holding down the releasing ring. Then carefully pull the tubing out of the fitting.
- Before re-using the tubing, remove the damaged part by cutting it off.

Type code

007	Packaging unit [units]
1	1
10	10

007	Packaging unit [units]
20	20
50	50
100	100

Datasheet

General technical data – Metric and G male thread

Pneumatic connection, port 1	Male thread M5	Male thread G1/8	Male thread G1/4	Male thread G3/8	Male thread G1/2	Male thread G3/4
Design	Push-pull principle					
Mounting position	Any					
Type of seal on screwed plug	Sealing ring					
Nominal torque	1.2 Nm	5.4 Nm	9 Nm	15.5 Nm	26 Nm	20 Nm
Tolerance for nominal tightening torque	±20%					
Nominal size	1.8 ... 2.4 mm	2.6 ... 6 mm	3.1 ... 8.5 mm	4.2 ... 11 mm	6.4 ... 13 mm	20 mm
Tubing insertion depth ¹⁾	14.9 ... 17 mm	14.9 ... 20.7 mm	17 ... 23.4 mm	18.1 ... 24.8 mm	23.3 ... 24.8 mm	27.54 mm
Product weight	8 ... 13 g	7.7 ... 31 g	13 ... 48 g	20 ... 97 g	33 ... 158 g	91.2 g

1) The indicated tubing insertion depths are reference values and may vary slightly depending on the type.

General technical data – Male R thread

Pneumatic connection, port 1	Male thread R1/8	Male thread R1/4	Male thread R3/8	Male thread R1/2
Design	Push-pull principle			
Mounting position	Any			
Type of seal on screwed plug	Coating			
Nominal size	2.4 ... 6 mm	2.8 ... 8.5 mm	4.2 ... 11 mm	6.3 ... 13 mm
Tubing insertion depth ¹⁾	11.6 ... 20.7 mm	11.9 ... 23.4 mm	17 ... 24.8 mm	20.2 ... 24.8 mm

1) The indicated tubing insertion depths are reference values and may vary slightly depending on the type.

General technical data – Female G thread

Pneumatic connection, port 1	Female thread G1/8	Female thread G1/4	Female thread G3/8	Female thread G1/2
Design	Push-pull principle			
Mounting position	Any			
Type of seal on screwed plug	Coating			
Nominal size	2.8 ... 7 mm	3 ... 11 mm	5 ... 11 mm	11 ... 15 mm

General technical data – Push-in sleeve

Pneumatic connection, port 1	Push-in sleeve Ø 4 mm	Push-in sleeve Ø 6 mm	Push-in sleeve Ø 8 mm	Push-in sleeve Ø 10 mm	Push-in sleeve Ø 12 mm	Push-in sleeve Ø 16 mm
Design	Push-pull principle					
Mounting position	Any					
Nominal size	2.5 mm	2.3 ... 4 mm	2.3 ... 6 mm	3.8 ... 7.5 mm	3.7 ... 9 mm	7.8 ... 11 mm

General technical data – For tubing O.D.

Pneumatic connection, port 1	For tubing outer diameter of 4 mm	For tubing outside diameter of 6 mm	For tubing outer diameter of 8 mm	For tubing outer diameter of 10 mm	For tubing outer diameter of 12 mm	For tubing outer diameter of 16 mm
Design	Push-pull principle					
Mounting position	Any					
Type of seal on screwed plug	–					Coating
Nominal size	2.8 mm	2.8 ... 4.3 mm	2.8 ... 7 mm	4.3 ... 9 mm	6.2 ... 11 mm	13 mm

Tubing insertion depths

Pneumatic connection, port 2	For tubing outside diameter of 4 mm	For tubing outside diameter of 6 mm	For tubing outside diameter of 8 mm	For tubing outside diameter of 10 mm	For tubing outer diameter of 12 mm	For tubing outside diameter of 16 mm	For tubing outside diameter of 22 mm
Tubing insertion depth ¹⁾	14.9 mm	17 mm	18.2 mm	20.7 mm	23.3 mm	24.8 mm	27.54 mm

1) The indicated tubing insertion depths are reference values and may vary slightly depending on the type.

Tubing insertion depths QSC

Pneumatic connection, port 1	For tubing outer diameter of 4 mm	For tubing outside diameter of 6 mm	For tubing outer diameter of 8 mm	For tubing outer diameter of 10 mm	For tubing outer diameter of 12 mm
Tubing insertion depth ¹⁾	14.9 mm	17 mm	18.1 mm	20.7 mm	22.9 mm

1) The indicated tubing insertion depths are reference values and may vary slightly depending on the type.

Datasheet

Operating and environmental conditions

Operating pressure complete temperature range	-0.95 ... 6 bar
Temperature-dependent operating pressure	-0.95 ... 14 bar
Note on operating pressure	Water: max. 0.6 MPa at max. 50°C
Operating medium	Compressed air to ISO 8573-1:2010 [7::-] Water (liquid, ice-free)
Note on operating and pilot medium	Lubricated operation possible Water: G-thread only possible with sealing ring type OL as additional accessory
Ambient temperature	-10 ... 80°C
Corrosion resistance class CRC ¹⁾	1 - Low corrosion stress
Maritime classification	See certificate

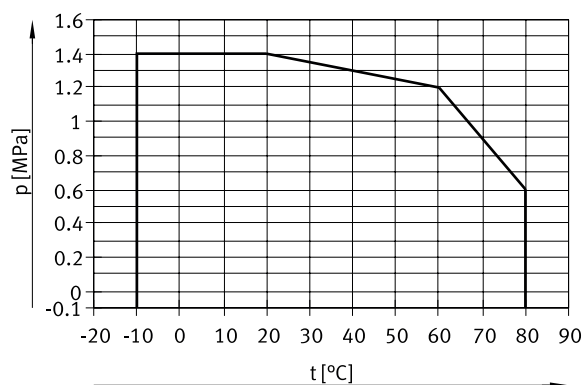
1) More information www.festo.com/x/topic/kbk

Operating and environmental conditions QS-G3/4-22

Operating pressure complete temperature range	-0.95 ... 14 bar
Temperature-dependent operating pressure	-0.95 ... 14 bar
Operating medium	Compressed air to ISO 8573-1:2010 [7::-] Water (liquid, ice-free)
Note on operating and pilot medium	Lubricated operation possible Water: G-thread only possible with sealing ring type OL as additional accessory
Ambient temperature	-20 ... 80°C
Corrosion resistance class CRC ¹⁾	1 - Low corrosion stress

1) More information www.festo.com/x/topic/crc

Operating pressure p as a function of temperature t (except QS-G3/4-22)



Materials

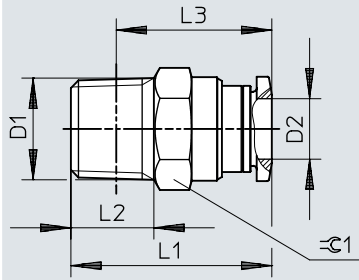
Material housing	Anodised aluminium, Brass, nickel-plated, PBT
Material release ring	POM
Colour of release ring	Blue
Material tubing seal	NBR
Material tubing clamp component	High-alloy stainless steel
Note on materials	RoHS compliant
Material nut	Nickel-plated brass
Material hollow bolt	Brass, nickel-plated
Cleanroom suitability, measured according to ISO 14644-14 ¹⁾	Class 4 according to ISO 14644-1 Element installed statically, no meaningful evaluation possible according to ISO 14644-1

1) For push-in sleeves QSH and blanking plugs QSC...H, no meaningful evaluation possible according to ISO 14644-1 (components installed statically)

Dimensions

Dimensions – Push-in fitting QS, R thread

Download CAD data www.festo.com

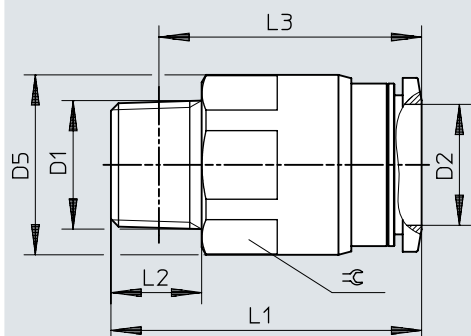


	D1	D2	L1	L2	L3	=C
QS-1/8-4	R1/8	4	21	8	17	10
QS-1/8-4-100						
QS-1/8-6		6	22,3	8	18,3	12
QS-1/8-6-100						
QS-1/8-8		8	27,9	8	23,9	14
QS-1/8-8-50						
QS-1/8-10		10	30,3	8	26,3	17
QS-1/4-4	R1/4	4	22,5	11	16,5	14
QS-1/4-6		6	23,7	11	17,6	14
QS-1/4-6-100						
QS-1/4-8		8	26,6	11	20,6	14
QS-1/4-8-50						
QS-1/4-10		10	29,8	11	23,8	17
QS-1/4-10-50						
QS-1/4-12		12	35,9	11	29,9	21
QS-1/4-12-20						
QS-3/8-6	R3/8	6	24,5	12	18,1	17
QS-3/8-8		8	25,5	12	19,2	17
QS-3/8-8-50						
QS-3/8-10		10	29,3	12	23	17
QS-3/8-10-50						
QS-3/8-12		12	31,9	12	25,6	21
QS-3/8-12-20						
QS-1/2-10	R1/2	10	30,4	15	22,2	21
QS-1/2-10-50						
QS-1/2-12		12	33,9	15	25,7	21
QS-1/2-12-20						
QS-1/2-16		16	41,3	15	33,1	24
QS-1/2-16-20						

Dimensions

Dimensions – Push-in fitting QS-3/8-16, R thread

Download CAD data www.festo.com

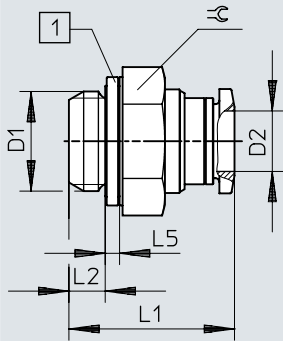


	D1	D2	D5 ∅	L1	L2	L3	☞
QS-3/8-16	R3/8	16	23,8	41,1	12	34,8	22

Dimensions

Dimensions – Push-in fitting QS, G thread with sealing ring (G1/8, G1/4, G3/8, G1/2)

Download CAD data www.festo.com



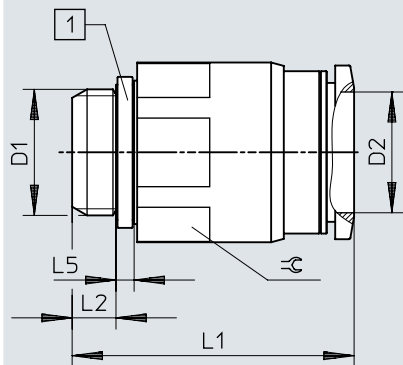
[1] Sealing ring

	D1	D2	L1	L2	L5	≡C
QS-G1/8-4	G1/8	4	19,5	4,2	1,9	13
QS-G1/8-4-100						
QS-G1/8-6		6	20,6	4,2	1,9	13
QS-G1/8-6-100						
QS-G1/8-8		8	25,8	4,2	1,9	14
QS-G1/8-8-50						
QS-G1/4-6	G1/4	6	21,2	4,8	1,9	17
QS-G1/4-6-100						
QS-G1/4-8		8	21,9	4,8	1,9	17
QS-G1/4-8-50						
QS-G1/4-10		10	28,9	4,8	1,9	17
QS-G1/4-10-50						
QS-G1/4-12	12	34,1	4,8	1,9	21	
QS-G1/4-12-20						
QS-G3/8-8	G3/8	8	21,7	5,8	2,4	19
QS-G3/8-8-50						
QS-G3/8-10		10	25,4	5,8	2,4	19
QS-G3/8-10-50						
QS-G3/8-12		12	31,5	5,8	2,4	21
QS-G3/8-12-20						
QS-G1/2-12	G1/2	12	28	6,8	2,4	24
QS-G1/2-12-20						
QS-G1/2-16		16	35,3	6,8	2,4	24
QS-G1/2-16-20						

Dimensions

Dimensions – Push-in fitting QS-G3/8-16, G thread with sealing ring

Download CAD data www.festo.com



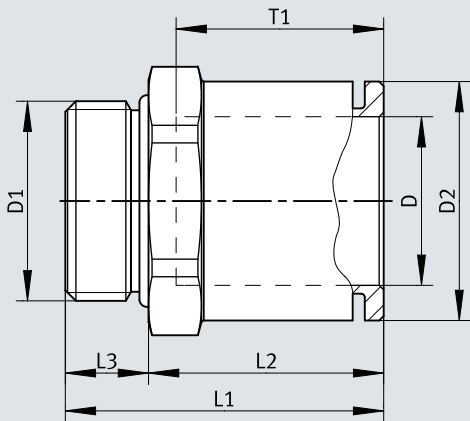
[1] Sealing ring

	D1	D2	L1	L2	L5	≡G
QS-G3/8-16	G3/8	16	37,3	5,8	2,4	22

Dimensions

Dimensions – Push-in fitting QS, G thread with sealing ring (G3/4)

Download CAD data www.festo.com

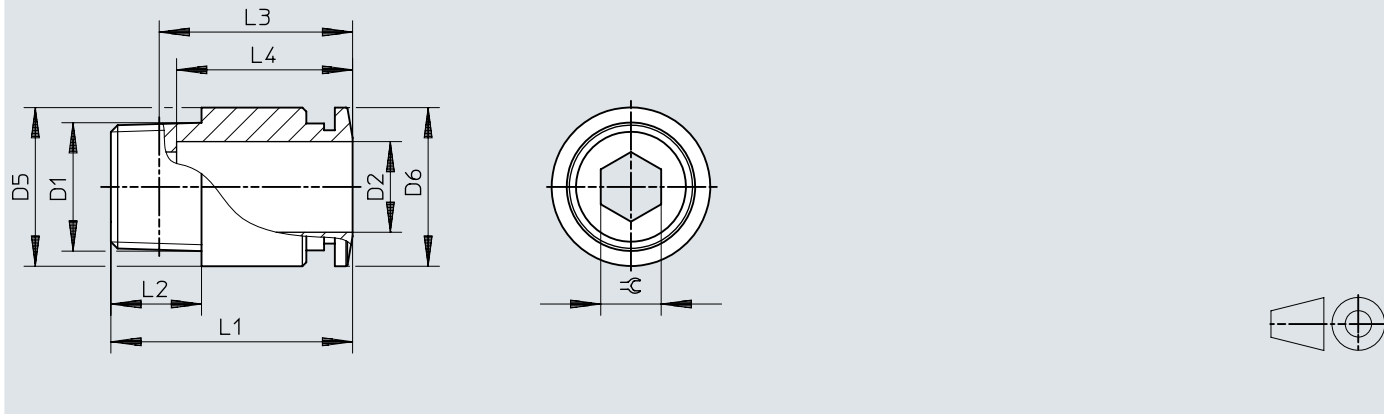


	D1	D	D2 ∅	L1	L2	L3	T1 ∅	±0.1
QS-G3/4-22	G3/4	22	32	42,1	31,1	11	~27,5	32

Dimensions

Dimensions – Push-in fitting QS-...-I, R thread

Download CAD data www.festo.com

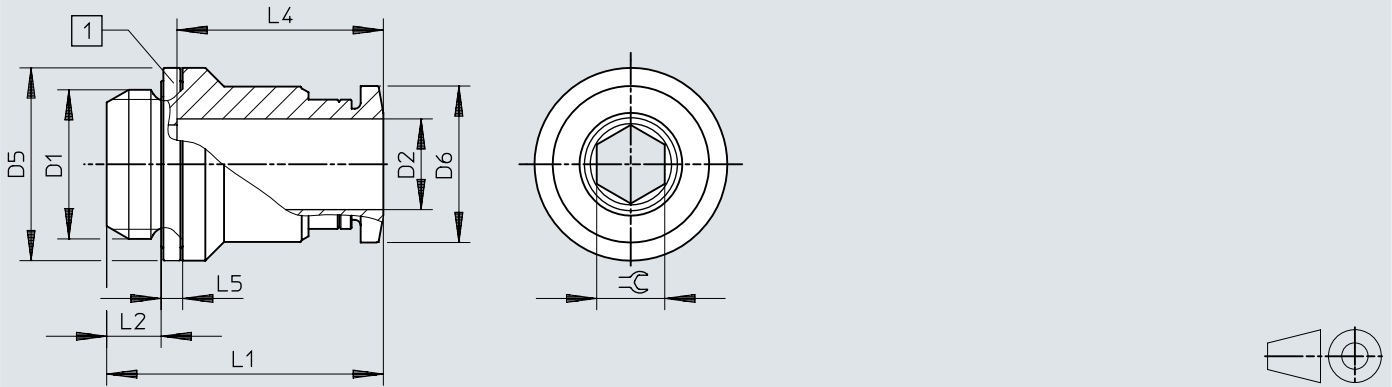


	D1	D2	D5 ∅	D6 ∅	L1	L2	L3	L4	⌀
QS-1/8-4-I	R1/8	4	9,7	9,9	20	8	16	14,9	2,5
QS-1/8-4-I-100									
QS-1/8-6-I		6	11,8	11,8	22,1	8	18,1	17	4
QS-1/8-6-I-100									
QS-1/8-8-I		8	13,7	13,8	25,9	8	21,9	18,2	5
QS-1/8-8-I-50									
QS-1/8-10-I		10	17,5	16,8	30,3	8	26,3	20,7	5
QS-1/4-6-I	R1/4	6	13,7	11,8	21,3	11	15,2	17	4
QS-1/4-6-I-100									
QS-1/4-8-I		8	13,7	13,8	25,1	11	19,1	18,2	6
QS-1/4-8-I-50									
QS-1/4-10-I		10	17,5	16,8	29,8	11	23,8	20,7	6
QS-1/4-10-I-50									
QS-1/4-12-I		12	20,8	19,8	35,9	11	29,9	23,3	6
QS-3/8-8-I	R3/8	8	16,8	13,8	22,2	12	15,9	18,2	6
QS-3/8-10-I		10	17,5	16,8	29,3	12	23	20,7	6
QS-3/8-12-I		12	20,8	19,8	31,9	12	25,6	23,3	8
QS-1/2-10-I	R1/2	10	20,8	16,8	30,3	15	22,1	20,7	6
QS-1/2-12-I		12	20,8	19,8	33,9	15	25,7	23,3	8

Dimensions

Dimensions – Push-in fitting QS-...-I, G-thread

Download CAD data www.festo.com

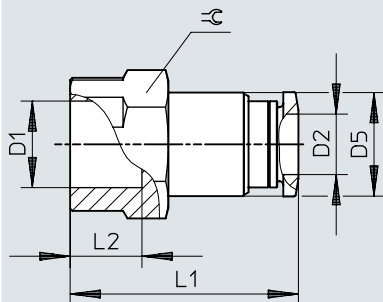


[1] Sealing ring

	D1	D2	D5 ø	D6 ø	L1	L2	L4	L5	±C	
QS-G1/8-4-I	G1/8	4	13	9,9	19,5	4,2	14,9	1,9	2,5	
QS-G1/8-4-I-100										
QS-G1/8-6-I		6	13	11,8	21,6	4,2	17	1,9	4	
QS-G1/8-6-I-100										
QS-G1/8-8-I		8	13,7	13,8	25,8	4,2	18,2	1,9	5	
QS-G1/8-8-I-100										
QS-G1/8-10-I		10	17	16,8	28,3	4,2	20,7	1,9	5	
QS-G1/8-10-I-100										
QS-G1/4-6-I	G1/4	6	17	11,8	20,2	4,8	17	1,9	4	
QS-G1/4-8-I		8	17	13,8	24,4	4,8	18,2	1,9	6	
QS-G1/4-10-I		10	17	16,8	28,9	4,8	20,7	1,9	7	
QS-G3/8-8-I	G3/8	8	19	13,8	23,9	5,8	18,2	2,4	6	
QS-G3/8-10-I		10	19	16,8	26,4	5,8	20,7	2,4	7	
QS-G3/8-12-I		12	20,8	19,8	31,5	5,8	23,3	2,4	8	
QS-G1/2-12-I	G1/2	12	24	19,8	28	6,8	23,3	2,4	8	

Dimensions

Dimensions – Push-in fitting QSF, G thread

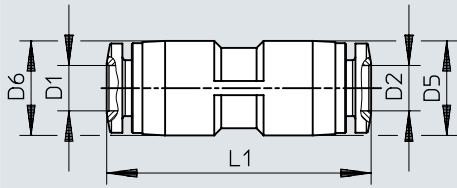
Download CAD data www.festo.com

	D1	D2	D5 ∅	L1	L2	±ε						
QSF-1/8-4-B	G1/8	4	9,7	23,9	7	14						
QSF-1/8-4-B-100												
QSF-1/8-6-B												
QSF-1/8-6-B-100												
QSF-1/8-8-B												
QSF-1/8-8-B-50												
QSF-1/4-4-B	G1/4	4	9,7	26,9	9,5	17						
QSF-1/4-6-B												
QSF-1/4-6-B-100												
QSF-1/4-8-B												
QSF-1/4-8-B-50												
QSF-1/4-10-B												
QSF-1/4-10-B-50	G3/8	6	11,8	30,5	11	21						
QSF-1/4-12-B												
QSF-1/4-12-B-50												
QSF-3/8-6-B												
QSF-3/8-8-B												
QSF-3/8-8-B-50												
QSF-3/8-10-B	G1/2	8	13,7	31,7	11	21						
QSF-3/8-10-B-50												
QSF-3/8-12-B												
QSF-3/8-12-B-20												
QSF-1/2-12-B												
QSF-1/2-16-B												
QSF-3/8-10-B	G1/4	10	17,5	32,7	9,5	17						
QSF-3/8-12-B												
QSF-3/8-12-B-20												
QSF-1/2-12-B												
QSF-1/2-16-B												
QSF-3/8-12-B							G3/8	12	20,8	36,8	11	21
QSF-3/8-12-B-20												
QSF-1/2-12-B												
QSF-1/2-16-B												
QSF-1/2-12-B	G1/2	12	20,8	40,1	14	24						
QSF-1/2-16-B												

Dimensions

Dimensions – Push-in connector QS

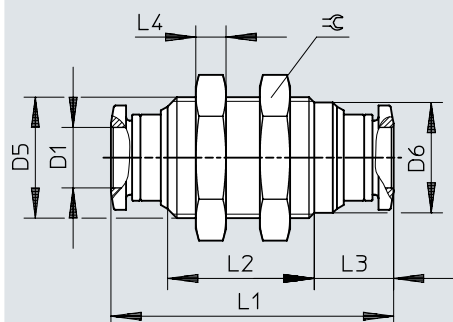
Download CAD data www.festo.com



	D1	D2	D5 ø	D6	L1
QS-4	4	4	10	–	30,8
QS-4-100					
QS-6	6	6	12,5	–	34,9
QS-6-100					
QS-8	8	8	14,5	–	37,8
QS-8-50					
QS-10	10	10	17,5	–	41,4
QS-10-50					
QS-12	12	12	21	–	47,8
QS-12-20					
QS-16	16	16	25	–	50
QS-16-20					
QS-6-4	6	4	12,5	12,5	34,4
QS-6-4-100					
QS-8-4	8	4	10,7	14,5	36,6
QS-8-6		6	14,5	14,5	37,9
QS-8-6-50					
QS-10-6	10	6	13	17,5	39,8
QS-10-8		8	17,5	17,5	41,1
QS-10-8-50					
QS-12-8	12	8	14,5	21	44
QS-12-10		10	21	21	47,6
QS-12-10-20					

Dimensions

Dimensions – Push-in bulkhead connector QSS

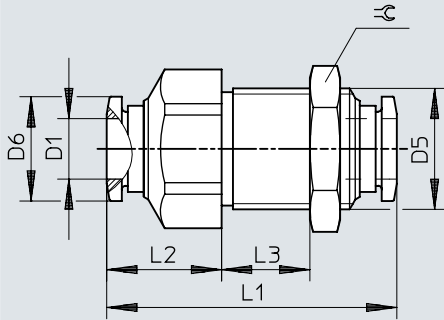
Download CAD data www.festo.com

	D1	D5	D6 ø	L1	L2	L3	L4	☉
QSS-4	4	M12x1	10,8	30,8	14,8	9,5	4	14
QSS-4-100								
QSS-6	6	M14x1	12,5	34,9	19	9,5	4	17
QSS-6-100								
QSS-8	8	M16x1	14,6	37,4	19,4	10,5	4	19
QSS-8-50								
QSS-10	10	M20x1	18,5	42,4	21,6	11,9	5	24
QSS-10-50								
QSS-12	12	M22x1	20,4	47,6	24,2	13,2	6	27
QSS-12-20								

Dimensions

Dimensions – Push-in bulkhead connector QSS-...-F, with fixed collar

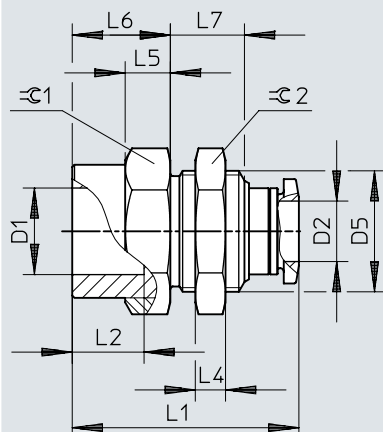
Download CAD data www.festo.com



	D1	D5	D6 ø	L1	L2	L3	≡
QSS-4-F	4	M12x1	9,9	33	13	max. 10	14
QSS-6-F	6	M14x1	11,8	34,9	14,4	max. 10	17
QSS-8-F	8	M16x1	13,8	38,4	15,2	max. 13	19
QSS-10-F	10	M20x1	16,8	47,1	20,3	max. 15	24
QSS-12-F	12	M22x1	19,8	48,5	18,9	max. 17,5	27

Dimensions

Dimensions – Bulkhead push-in fitting QSSF

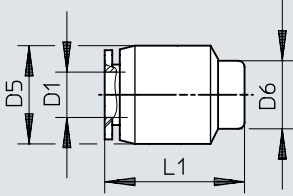
Download CAD data www.festo.com

	D1	D2	D5 ø	L1	L2	L4	L5	L6	L7	$\ominus C1$	$\ominus C2$
QSSF-1/8-4-B	G1/8	4	M12x1	24,2	7	4	5	9	9	14	14
QSSF-1/8-6-B		6	M14x1	26,4	7	4	6	10	10,2	17	17
QSSF-1/8-8-B		8	M16x1	27	7	4	6	10	9,8	19	19
QSSF-1/4-4-B	G1/4	4	M12x1	27,5	9,5	4	6	12,3	9	17	14
QSSF-1/4-6-B		6	M14x1	28,7	9,5	4	6	12,3	10,2	17	17
QSSF-1/4-8-B		8	M16x1	30	9,5	4	6	13	9,8	19	19
QSSF-1/4-10-B		10	M20x1	32,7	9,5	5	7	13	11,1	24	24
QSSF-3/8-6-B	G3/8	6	M14x1	30,9	11	4	6,5	14,5	10,2	21	17
QSSF-3/8-8-B		8	M16x1	31,5	11	4	6,5	14,5	9,8	21	19
QSSF-3/8-10-B		10	M20x1	34,2	11	5	7	14,5	11,1	24	24
QSSF-3/8-12-B		12	M22x1	36,8	11	6	7	14,5	12,4	24	27
QSSF-1/2-12-B	G1/2	12	M22x1	40,1	14	6	7	17,8	12,4	24	27
QSSF-1/2-16-B		16	M27x1,5	42,6	14	9	8,5	17,3	15,4	29	32

Dimensions

Dimensions – Push-in cap QSC

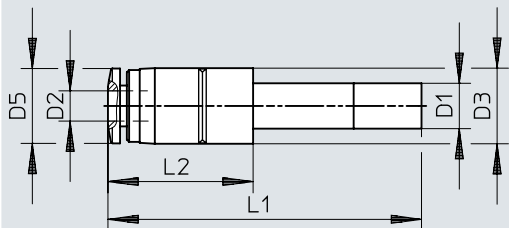
Download CAD data www.festo.com



	D1	D5 ∅	D6 ∅	L1
QSC-4	4	10	7	16,4
QSC-4-100				
QSC-6	6	12,5	9	18,5
QSC-6-100				
QSC-8	8	14,5	11	19,9
QSC-8-50				
QSC-10	10	17,5	13	22,3
QSC-10-50				
QSC-12	12	21	16	24,9
QSC-12-20				

Dimensions

Dimensions – Push-in connector QS-...H

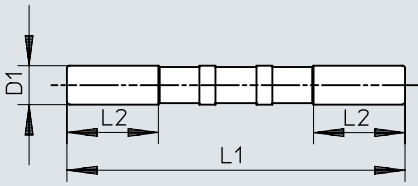
Download CAD data www.festo.com

	D1	D2	D3 ∅	D5 ∅	L1	L2
QS-6H-4	QS-6	4	10	9,9	37,7	15,2
QS-6H-4-100						
QS-8H-4	QS-8	4	12,5	9,9	40,2	16,7
QS-8H-6		6	12,5	11,8	40,8	17,3
QS-8H-6-50						
QS-10H-6	QS-10	6	12,5	11,8	43,8	18,8
QS-10H-8		8	14,5	13,8	43,7	18,7
QS-10H-8-50						
QS-12H-6	QS-12	6	14,5	11,8	48,8	19,8
QS-12H-8		8	14,5	13,8	49,7	20,7
QS-12H-10		10	17,5	16,8	50	21
QS-12H-10-20						

Dimensions

Dimensions – Push-in sleeve QSH

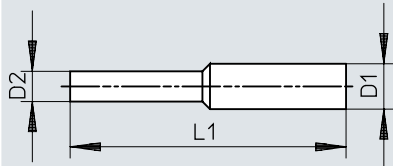
Download CAD data www.festo.com



	D1	L1	L2
QSH-4	QS-4	34,8	11,3
QSH-4-100			
QSH-6	QS-6	38,2	11,3
QSH-6-100			
QSH-8	QS-8	41,4	12,1
QSH-8-50			
QSH-10	QS-10	46,2	13
QSH-10-50			
QSH-12	QS-12	52,8	17,5
QSH-12-20			
QSH-16	QS-16	55,6	18

Dimensions

Dimensions – Push-in sleeve QSH, reducing

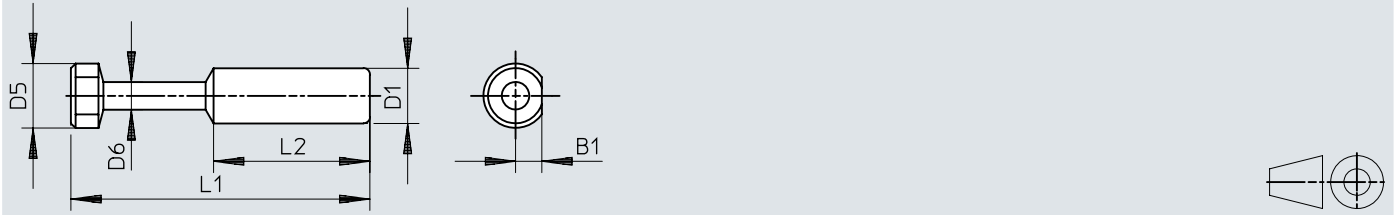
Download CAD data www.festo.com

	D1	D2	L1
QSH-6-4	QS-6	QS-4	36,7
QSH-6-4-100			
QSH-8-4	QS-8	QS-4	41,1
QSH-8-6		QS-6	40,5
QSH-8-6-50			
QSH-10-6	QS-10	QS-6	43,7
QSH-10-8		QS-8	44
QSH-10-8-50			
QSH-12-8	QS-12	QS-8	47,5
QSH-12-10		QS-10	49,6
QSH-12-10-20			
QSH-16-12	QS-16	QS-12	54,4
QSH-16-12-20			

Dimensions

Dimensions – Blanking plug QSC...4H

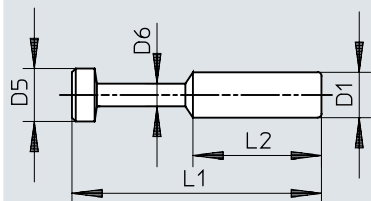
Download CAD data www.festo.com



	D1	B1	D5 ∅	D6 ∅	L1	L2
QSC-4H	QS-4	2,1	5	3	28	15
QSC-4H-100						

Dimensions

Dimensions – Blanking plug QSC-...6H/8H/10H/12H/16H

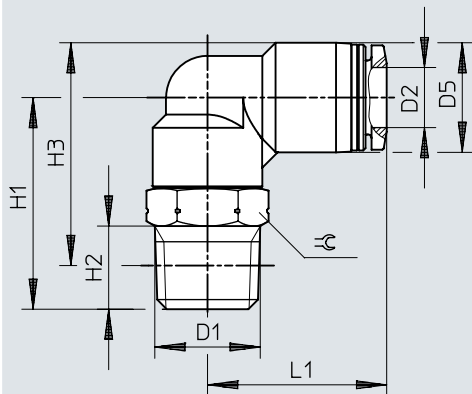
Download CAD data www.festo.com

	D1	D5 ø	D6 ø	L1	L2
QSC-6H	QS-6	7	3	33	17
QSC-6H-100					
QSC-8H	QS-8	9	4	37	18
QSC-8H-50					
QSC-10H	QS-10	11	5	42	20,5
QSC-10H-50					
QSC-12H	QS-12	13	6	44	23
QSC-12H-20					
QSC-16H	QS-16	17	8	46	24

Dimensions

Dimensions – Push-in L-fitting QSL, R thread

Download CAD data www.festo.com

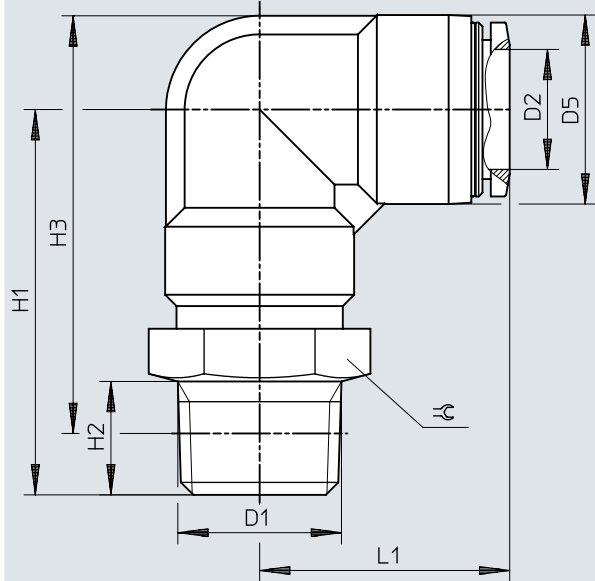


	D1	D2	D5 ø	H1	H2	H3	L1	±
QSL-1/8-4	R1/8	4	10	22	8	23	18,7	10
QSL-1/8-4-100								
QSL-1/8-6								
QSL-1/8-6-100								
QSL-1/8-8								
QSL-1/8-8-50								
QSL-1/8-10	R1/4	6	12,5	22,5	8	24,8	20,3	10
QSL-1/8-8								
QSL-1/8-8-50								
QSL-1/8-10								
QSL-1/4-4								
QSL-1/4-6								
QSL-1/4-6-100	R1/4	8	14,5	24	8	27,3	22,7	12
QSL-1/4-8								
QSL-1/4-8-50								
QSL-1/4-10								
QSL-1/4-10-50								
QSL-1/4-12								
QSL-1/4-12-20	R3/8	10	17,5	25	8	29,8	25,5	12
QSL-1/4-4								
QSL-1/4-6								
QSL-1/4-6-100								
QSL-1/4-8								
QSL-1/4-8-50								
QSL-1/4-10	R3/8	12	21	29,8	11	34,2	29	14
QSL-1/4-12-20								
QSL-3/8-6								
QSL-3/8-8								
QSL-3/8-8-50								
QSL-3/8-10								
QSL-3/8-10-20	R1/2	10	17,5	36	15	36,6	27,5	21
QSL-3/8-12								
QSL-3/8-12-20								
QSL-1/2-10								
QSL-1/2-10-50								
QSL-1/2-12								
QSL-1/2-12-20	R1/2	12	21	36,5	15	38,8	30,7	21
QSL-1/2-12-20								

Dimensions

Dimensions – Push-in L-fitting QSL-...-16, R thread

Download CAD data www.festo.com

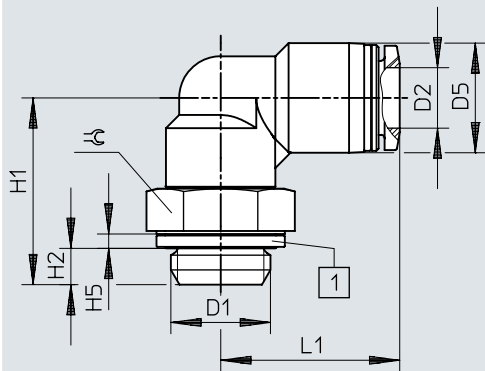


	D1	D2	D5 ∅	H1	H2	H3	L1	⊖
QSL-3/8-16	R3/8	16	25	47	11	53,2	33,1	22
QSL-1/2-16	R1/2	16	25	51	15	55,3	33,1	22
QSL-1/2-16-20								

Dimensions

Dimensions – Push-in L-fitting QSL, G thread with sealing ring

Download CAD data www.festo.com



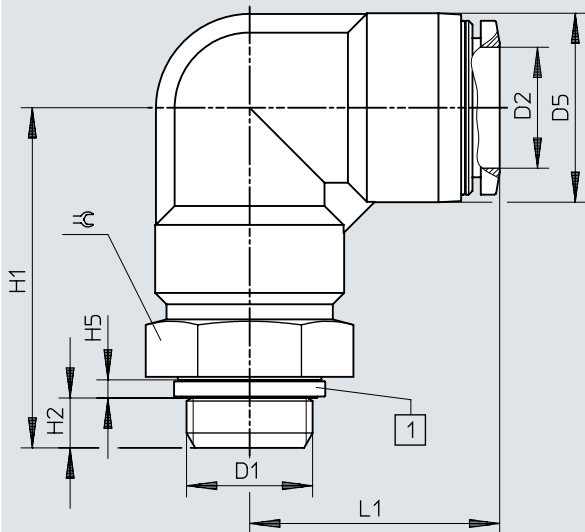
[1] Sealing ring

	D1	D2	D5 ∅	H1	H2	H5	L1	≅	
QSL-G1/8-4	G1/8	4	10	21,1	4,2	1,9	18,7	13	
QSL-G1/8-4-100		6	12,5	21,6	4,2	1,9	20,3	13	
QSL-G1/8-6		8	14,5	22,1	4,2	1,9	22,7	13	
QSL-G1/8-6-100		G1/4	6	12,5	24,7	4,8	1,9	21,8	17
QSL-G1/8-8			8	14,5	24,7	4,8	1,9	23,7	17
QSL-G1/8-8-50			10	17,5	25,2	4,8	1,9	26	17
QSL-G1/4-6	12		21	26,5	4,8	1,9	29	17	
QSL-G1/4-6-100	G3/8		8	14,5	27,2	5,8	2,4	24,7	19
QSL-G1/4-8			10	17,5	28,2	5,8	2,4	27	19
QSL-G1/4-8-50		12	21	28,7	5,8	2,4	29,7	19	
QSL-G1/4-10		G1/2	12	21	32,2	6,8	2,4	30,7	24
QSL-G1/4-10-50									
QSL-G1/4-12									
QSL-G1/4-12-20									
QSL-G3/8-8									
QSL-G3/8-8-50									
QSL-G3/8-10									
QSL-G3/8-10-20									
QSL-G3/8-12									
QSL-G3/8-12-20									
QSL-G1/2-12									
QSL-G1/2-12-20									

Dimensions

Dimensions – Push-in L-fitting QSL-...-16, G thread with sealing ring

Download CAD data www.festo.com



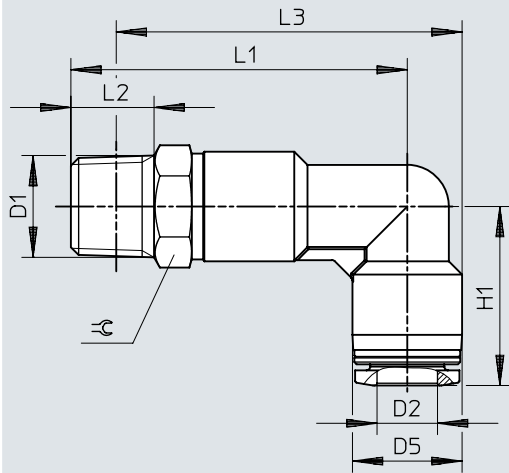
[1] Sealing ring

	D1	D2	D5 ∅	H1	H2	H5	L1	≈
QSL-G3/8-16	G3/8	16	25	44,2	5,8	2,4	33,1	24
QSL-G1/2-16	G1/2	16	25	45,2	6,8	2,4	33,1	24
QSL-G1/2-16-20								

Dimensions

Dimensions – Push-in L-fitting, long, QSLL, R thread

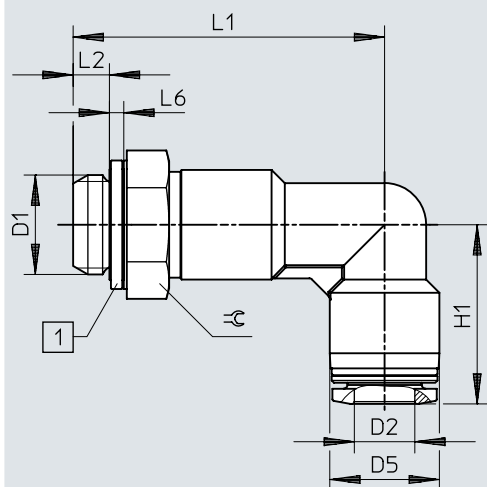
Download CAD data www.festo.com



	D1	D2	D5 ∅	H1	L1	L2	L3	⊘
QSLL-1/8-4	R1/8	4	10	18,7	34	8	35	10
QSLL-1/8-6		6	12,5	20,3	37	8	39,3	10
QSLL-1/8-8		8	14,5	22,7	40,5	8	43,8	12
QSLL-1/4-4	R1/4	4	10	20,7	41	11	40	14
QSLL-1/4-6		6	12,5	21,8	42,5	11	42,7	14
QSLL-1/4-8		8	14,5	23,7	44,5	11	45,7	14
QSLL-1/4-10		10	17,5	26	48	11	50,7	14
QSLL-3/8-6	R3/8	6	12,5	23,8	46	12	45,9	17
QSLL-3/8-8		8	14,5	24,7	47,5	12	48,4	17
QSLL-3/8-10		10	17,5	27	51,5	12	53,9	17
QSLL-3/8-12		12	21	29,7	55,5	12	59,7	17
QSLL-1/2-10	R1/2	10	17,5	27	55,5	15	56,1	21
QSLL-1/2-12		12	21	29,7	59,5	15	61,8	21

Dimensions

Dimensions – Push-in L-fitting, long, QSLL, G thread with sealing ring

Download CAD data www.festo.com

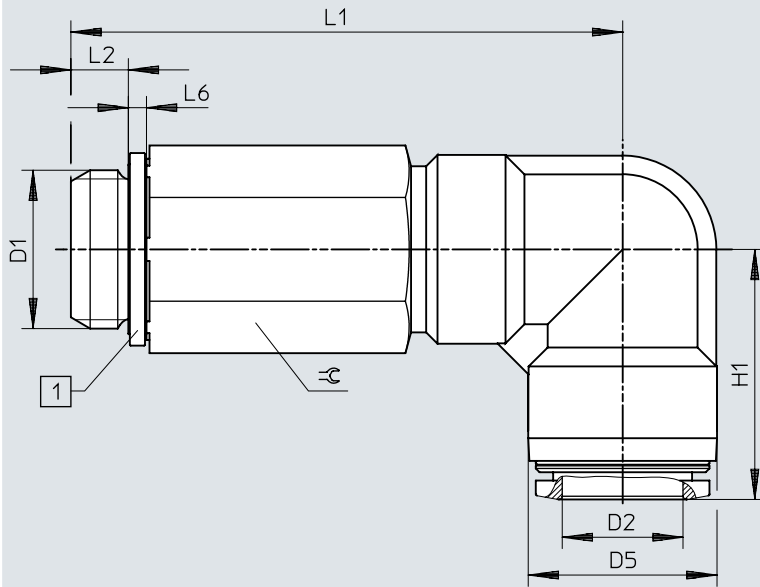
[1] Sealing ring

	D1	D2	D5 ∅	H1	L1	L2	L6	≈
QSLL-G1/8-4	G1/8	4	10	18,7	33,1	4,2	1,9	13
QSLL-G1/8-4-100								
QSLL-G1/8-6								
QSLL-G1/8-6-100								
QSLL-G1/8-8								
QSLL-G1/8-8-100	G1/4	6	12,5	20,3	36,1	4,2	1,9	13
QSLL-G1/4-6								
QSLL-G1/4-8								
QSLL-G1/4-10								
QSLL-G1/4-12								
QSLL-G3/8-8	G3/8	8	14,5	24,7	43,7	5,8	2,4	19
QSLL-G3/8-10								
QSLL-G3/8-12								
QSLL-G1/2-12	G1/2	12	21	29,7	55,2	6,8	2,4	24

Dimensions

Dimensions – Push-in L-fitting, long QSL-...-16, G-thread with sealing ring

Download CAD data www.festo.com

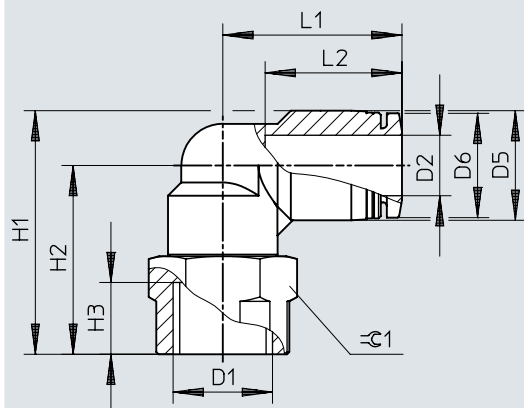


[1] Sealing ring

	D1	D2	D5 ∅	H1	L1	L2	L6	≈
QSL-G1/2-16	G1/2	16	25	33,1	72,2	6,8	2,4	24

Dimensions

Dimensions – Push-in L-fitting QSLF, G thread

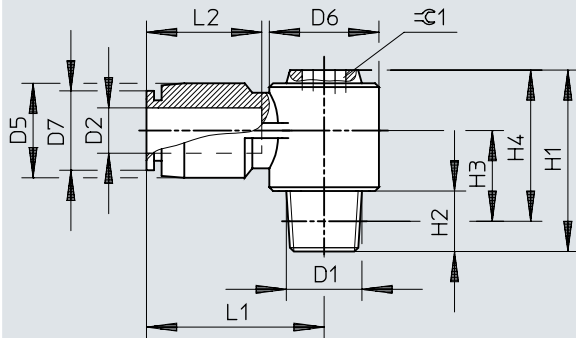
Download CAD data www.festo.com

	D1	D2	D5 ø	D6 ø	H1	H2	H3	L1	L2	≈ε
QSLF-1/8-4-B	G1/8	4	10	9,9	25	20	7	18,7	14,9	14
QSLF-1/8-6-B		6	12,5	11,8	26,8	20,5	7	20,3	17	14
QSLF-1/8-8-B		8	14,5	13,8	28,3	21	7	22,7	18,1	14
QSLF-1/4-6-B	G1/4	6	12,5	11,8	31,3	25	9,5	21,8	17	17
QSLF-1/4-8-B		8	14,5	13,8	32,3	25	9,5	23,7	18,1	17
QSLF-1/4-10-B		10	17,5	16,8	34,3	25,5	9,5	26	20,2	17
QSLF-3/8-8-B	G3/8	8	14,5	13,8	34,8	27,5	11	24,7	18,1	21
QSLF-3/8-10-B		10	17,5	16,8	37,3	28,5	11	27	20,2	21

Dimensions

Dimensions – Push-in L-fitting QSLV...-I, R thread

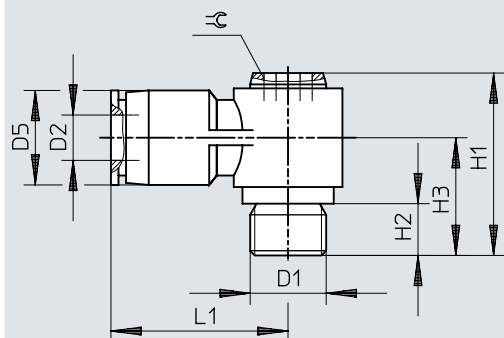
Download CAD data www.festo.com



	D1	D2	D5 ø	D6 ø	D7 ø	H1	H2	H3	H4	L1	L2	☞
QSLV-1/8-6-I	R1/8	6	13	14,3	11,8	24	8	11,5	20	23,7	17	5
QSLV-1/8-8-I		8	14	17,9	13,8	27	8	12	23	26,7	18,1	8
QSLV-1/4-6-I	R1/4	6	13	14,3	11,8	27	11	12,5	21	23,7	17	5
QSLV-1/4-8-I		8	14	17,9	13,8	30	11	13	24	26,7	18,1	8
QSLV-1/4-10-I		10	18	21,3	16,8	34	11	15	28	30,7	20,7	10
QSLV-3/8-8-I	R3/8	8	14	17,9	13,8	31	12	13,7	24,7	26,7	18,1	8
QSLV-3/8-10-I		10	18	21,3	16,8	35	12	15,7	28,7	30,7	20,7	10
QSLV-3/8-12-I		12	21	26,3	19,8	39	12	17,7	32,7	36,4	23,4	12
QSLV-1/2-12-I	R1/2	12	21	26,3	19,8	42	15	18,8	33,8	36,4	23,4	12

Dimensions

Dimensions – Push-in L-fitting QSLV-...-I, G thread

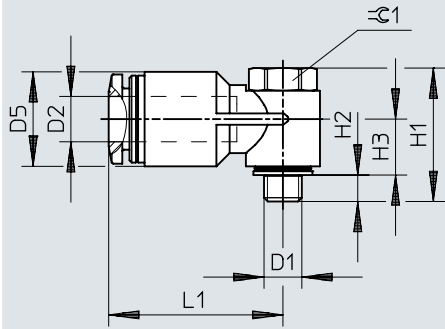
Download CAD data www.festo.com

	D1	D2	D5 ∅	H1	H2	H3	L1	⊥
QSLV-G1/8-6-I	G1/8	6	13	23	5,1	14,5	23,7	5
QSLV-G1/8-8-I		8	14	26	5,1	15	26,7	8
QSLV-G1/4-6-I	G1/4	6	13	23,5	5,6	15	23,7	5
QSLV-G1/4-8-I		8	14	26,5	5,6	15,5	26,7	8
QSLV-G1/4-10-I		10	18	30,5	5,6	17,5	30,7	10
QSLV-G3/8-8-I	G3/8	8	14	28	6,6	17	26,7	8
QSLV-G3/8-10-I		10	18	32	6,6	19	30,7	10
QSLV-G3/8-12-I		12	21	36	6,6	21	36,4	12
QSLV-G1/2-12-I	G1/2	12	21	37	7,6	22	36,4	12

Dimensions

Dimensions – Push-in L-fitting QSLV, metric thread with sealing ring

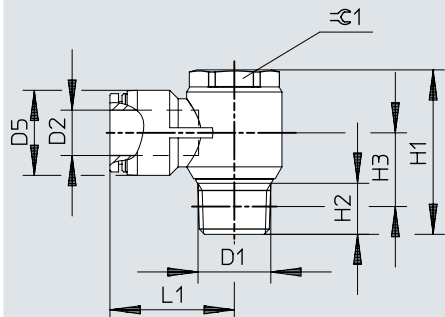
Download CAD data www.festo.com



	D1	D2	D5 ∅	H1	H2	H3	L1	±0.1
QSLV-M5-6	M5	6	12,5	17,2	3	7,4	23,1	8

Dimensions

Dimensions – Push-in L-fitting QSLV, R-thread

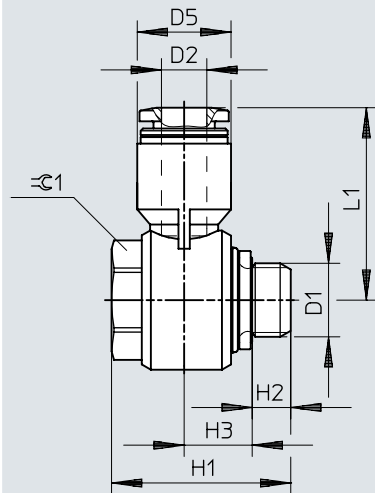
Download CAD data www.festo.com

	D1	D2	D5 ø	H1	H2	H3	L1	⌀1
QSLV-1/8-4	R1/8	4	10	27	8	12	22,2	14
QSLV-1/8-4-100								
QSLV-1/8-6		6	12,5	27	8	12	24,2	14
QSLV-1/8-6-100								
QSLV-1/8-8		8	14,5	27	8	12,3	26,2	14
QSLV-1/8-8-50								
QSLV-1/4-6	R1/4	6	12,5	31,5	11	13,5	26,8	17
QSLV-1/4-6-100								
QSLV-1/4-8		8	14,5	31,5	11	13,5	28,2	17
QSLV-1/4-8-50								
QSLV-1/4-10		10	17,5	31,5	11	15	30,5	17
QSLV-1/4-10-50								
QSLV-3/8-8	R3/8	8	14,5	36	12	15,7	30,2	21
QSLV-3/8-10		10	18	36	12	15,7	32,5	21
QSLV-3/8-12		12	21	36	12	17,2	35,2	21
QSLV-1/2-12	R1/2	12	21	40,2	13	16,5	38,2	24
QSLV-1/2-16		16	25	48,3	15	21,6	36,6	24

Dimensions

Dimensions – Push-in L-fitting QSLV, G thread with sealing ring

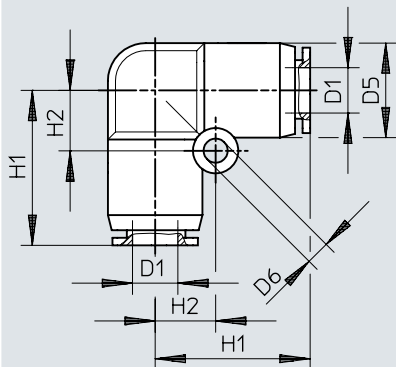
Download CAD data www.festo.com



	D1	D2	D5 ø	H1	H2	H3	L1	⌀ 1
QSLV-G1/8-4	G1/8	4	10	23,7	5,1	8,7	23,4	14
QSLV-G1/8-4-100								
QSLV-G1/8-6								
QSLV-G1/8-6-100								
QSLV-G1/8-8								
QSLV-G1/8-8-50	G1/4	6	12,4	23,7	5,1	9	25,5	14
QSLV-G1/4-6								
QSLV-G1/4-6-100								
QSLV-G1/4-8								
QSLV-G1/4-8-50								
QSLV-G1/4-10	G3/8	8	14,4	23,7	5,1	10	28,4	14
QSLV-G1/4-10-50								
QSLV-G3/8-8								
QSLV-G3/8-10								
QSLV-G3/8-12								
QSLV-G1/2-12	G1/2	12	21	34	7,6	14,3	37,9	27
QSLV-G1/2-16								

Dimensions

Dimensions – Push-in L-connector QSL

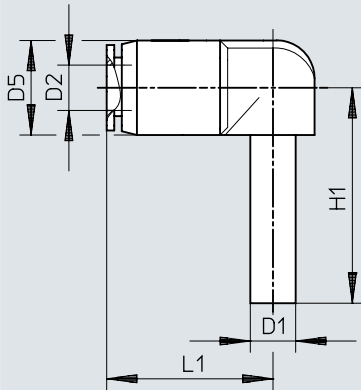
Download CAD data www.festo.com

	D1	D5 ø	D6 ø	H1	H2
QSL-4	4	10	3,2	16,9	6,5
QSL-4-100					
QSL-6	6	12,5	3,2	20,1	8
QSL-6-100					
QSL-8	8	15	4,2	22,4	10
QSL-8-50					
QSL-10	10	17,5	4,2	26,2	12
QSL-10-50					
QSL-12	12	21	4,2	29,4	14
QSL-12-20					
QSL-16	16	25	4,2	33,1	12
QSL-16-20					

Dimensions

Dimensions – Push-in L-connector QSL-...HL with push-in sleeve

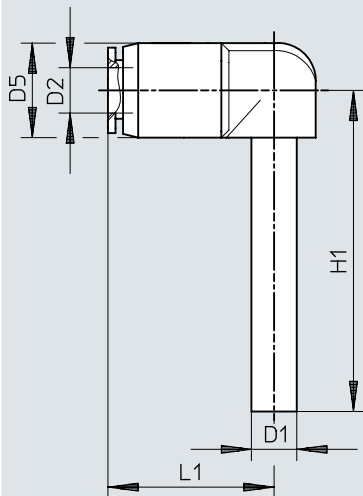
Download CAD data www.festo.com



	D1	D2	D5 ∅	H1	L1
QSL-4H	QS-4	4	10	25	16,8
QSL-4H-100					
QSL-6H	QS-6	6	12,5	28,5	19,8
QSL-6H-100					
QSL-8H	QS-8	8	14,5	30,7	21,8
QSL-8H-50					
QSL-10H	QS-10	10	17,5	33,7	24,9
QSL-10H-50					
QSL-12H	QS-12	12	21	39	28,9
QSL-6H-4	QS-6	4	12,5	28,5	17,7
QSL-8H-6	QS-8	6	14,5	30,7	21,9
QSL-10H-8	QS-10	8	17,5	33,7	24,6
QSL-12H-10	QS-12	10	21	39	28,7

Dimensions

Dimensions – Push-in L-connector QSL...H with long push-in sleeve

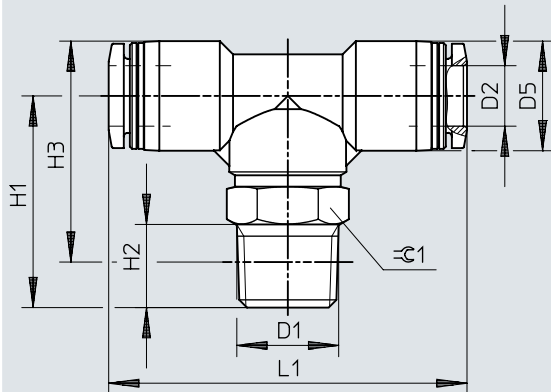
Download CAD data www.festo.com

	D1	D2	D5 ∅	H1	L1
QSL-4HL	QS-4	4	10	36	16,8
QSL-6HL	QS-6	6	12,5	42	19,8
QSL-8HL	QS-8	8	14,5	46,7	21,8
QSL-10HL	QS-10	10	17,5	51,7	24,9
QSL-12HL	QS-12	12	21	59,5	28,95

Dimensions

Dimensions – Push-in T-fitting QST, R thread

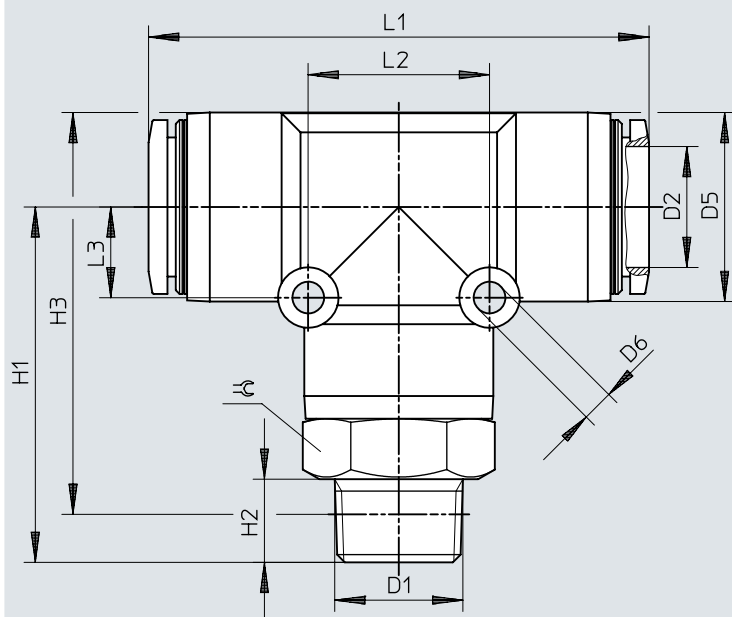
Download CAD data www.festo.com



	D1	D2	D5 ø	H1	H2	H3	L1	⊖
QST-1/8-4	R1/8	4	10	22	8	23	37,4	10
QST-1/8-4-100								
QST-1/8-6		6	12,5	22,5	8	24,8	40,5	10
QST-1/8-6-100								
QST-1/8-8		8	14,5	24	8	27,3	45,4	12
QST-1/8-8-50								
QST-1/8-10		10	17,5	25	8	29,8	51	12
QST-1/4-4	R1/4	4	10	29	11	28	41,4	14
QST-1/4-6								
QST-1/4-6-100		6	12,5	28	11	28,2	43,5	14
QST-1/4-8								
QST-1/4-8-50		8	14,5	28	11	29,2	47,4	14
QST-1/4-10								
QST-1/4-10-50	10	17,5	28,5	11	31,2	52	14	
QST-1/4-12		12	21	29,8	11	34,2	57,9	14
QST-3/8-6	R3/8	6	12,5	31,5	12	31,4	47,5	17
QST-3/8-8								
QST-3/8-8-50		8	14,5	31	12	31,9	49,4	17
QST-3/8-10								
QST-3/8-10-20		10	17,5	32	12	34,4	54	17
QST-3/8-12								
QST-3/8-12-20	12	21	32,5	12	36,7	59,4	17	
QST-1/2-10	R1/2	10	17,5	36	15	36,6	55	21
QST-1/2-12		12	21	36,5	15	38,8	61,4	21

Dimensions

Dimensions – Push-in T-fitting QST...-16, R-thread

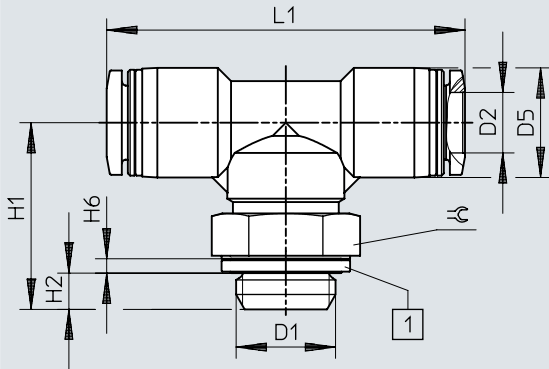
Download CAD data www.festo.com

	D1	D2	D5 ø	D6 ø	H1	H2	H3	L1	L2	L3	☉
QST-3/8-16	R3/8	16	25	4,2	47	11	53,2	66,2	24	12	22
QST-1/2-16	R1/2	16	25	4,2	51	15	55,3	66,2	24	12	22

Dimensions

Dimensions – Push-in T-fitting QST, G-thread with sealing ring

Download CAD data www.festo.com



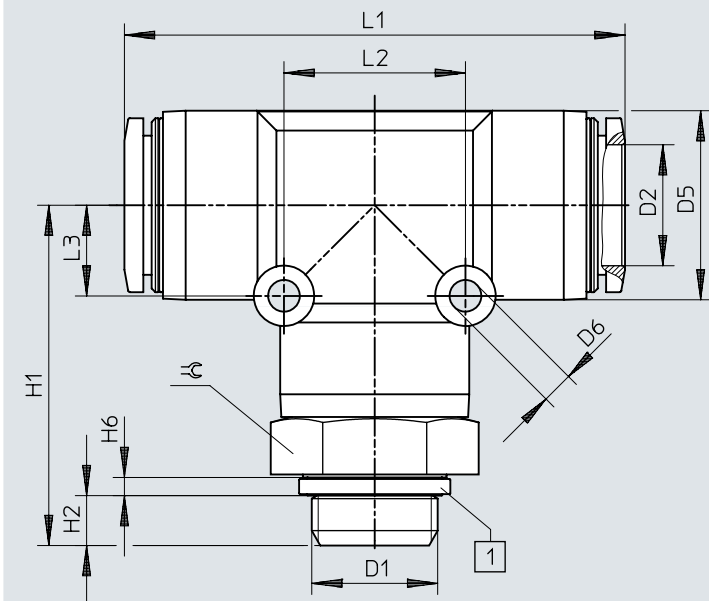
[1] Sealing ring

	D1	D2	D5 ø	H1	H2	H6	L1	≅
QST-G1/8-4	G1/8	4	10	21,1	4,2	1,9	37,4	13
QST-G1/8-4-100								
QST-G1/8-6								
QST-G1/8-6-100								
QST-G1/8-8								
QST-G1/8-8-50								
QST-G1/4-6	G1/4	6	12,5	24,7	4,8	1,9	43,5	17
QST-G1/4-6-100								
QST-G1/4-8								
QST-G1/4-8-50								
QST-G1/4-10								
QST-G1/4-10-50								
QST-G1/4-12	G3/8	8	14,5	26,5	4,8	1,9	57,9	17
QST-G1/4-12								
QST-G3/8-8								
QST-G3/8-8-50								
QST-G3/8-10								
QST-G3/8-10-20								
QST-G3/8-12	G1/2	12	21	28,7	5,8	2,4	59,4	19
QST-G3/8-12-20								
QST-G1/2-12				32,2	6,8	2,4	61,4	24

Dimensions

Dimensions – Push-in T-fitting QST...-16, G thread with sealing ring

Download CAD data www.festo.com



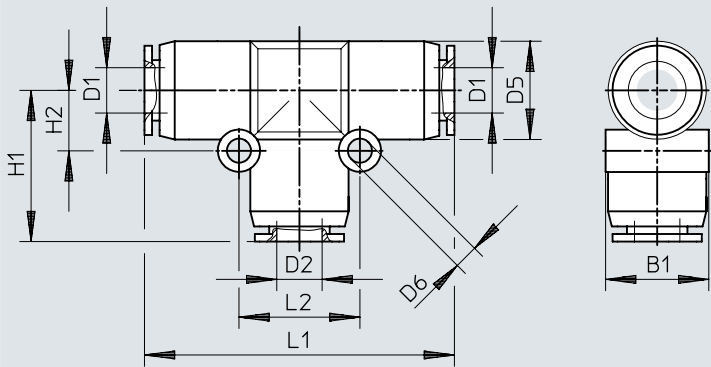
[1] Sealing ring

	D1	D2	D5 ∅	D6 ∅	H1	H2	H6	L1	L2	L3	≅
QST-G3/8-16	G3/8	16	25	4,2	44,2	5,8	2,4	66,2	24	12	24
QST-G1/2-16	G1/2	16	25	4,2	45,2	6,8	2,4	66,2	24	12	24

Dimensions

Dimensions – Push-in T-connector QST

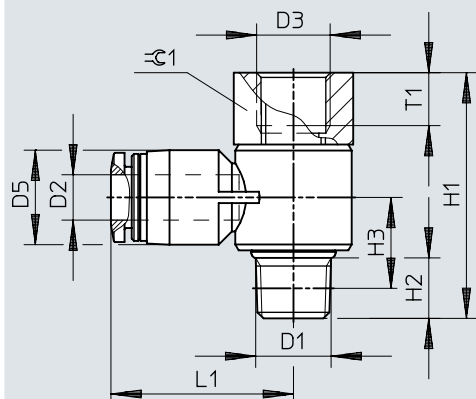
Download CAD data www.festo.com



	D1	D2	D5 ø	D6 ø	B1	H1	H2	L1	L2
QST-4	4	4	10	3,2	10,4	17,2	6,5	34,4	13
QST-4-100									
QST-6	6	6	13	3,2	13,5	20,1	8	40,2	16
QST-6-100									
QST-8	8	8	15	3,2	15,6	22,2	9	44,4	18
QST-8-50									
QST-10	10	10	17,5	4,2	18,2	25,2	12	50,4	24
QST-10-50									
QST-12	12	12	21	4,2	21,7	28,4	14	56,8	28
QST-12-20									
QST-16	16	16	25	4,2	25,6	33,1	12	66,2	24
QST-6-4	6	4	13	3,2	13	19,5	8	40,1	16
QST-6-4-100									
QST-8-4	8	4	14,5	3,2	15,1	21,7	9	44,4	18
QST-8-6		6	14,5	3,2	15,1	22,3	9	44,4	18
QST-8-6-50									
QST-10-6	10	6	17,5	4,2	18,2	25	12	50,4	24
QST-10-8		8	17,5	4,2	18,2	24,9	12	50,4	24
QST-10-8-50									
QST-12-8	12	8	21	4,2	21,7	27,7	14	56,8	28
QST-12-10		10	21	4,2	21,7	28	14	56,8	28
QST-12-10-20									
QST-16-12	16	12	25	4,2	25,7	33,2	12	66,2	24

Dimensions

Dimensions – Push-in T-fitting QSTF, R thread

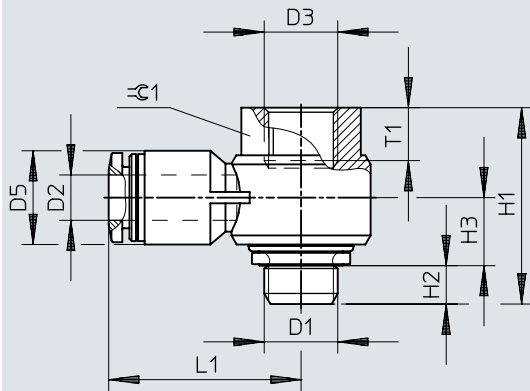
Download CAD data www.festo.com

	D1	D2	D3	D5 ∅	H1	H2	H3	L1	T1	±0.1
QSTF-1/8-4-B	R1/8	4	G1/8	10	32,5	8	12	22,2	7	14
QSTF-1/8-6-B		6	G1/8	12,5	32,5	8	12	24,2	7	14
QSTF-1/8-8-B		8	G1/8	14,5	32,5	8	12,3	26,2	7	14
QSTF-1/4-6-B	R1/4	6	G1/4	12,5	38,5	11	13,5	26,8	9,5	17
QSTF-1/4-8-B		8	G1/4	14,5	38,5	11	13,5	28,2	9,5	17
QSTF-1/4-10-B		10	G1/4	17,5	38,5	11	15	30,5	9,5	17
QSTF-3/8-8-B	R3/8	8	G3/8	14,5	44,5	12	15,7	30,2	11	21
QSTF-3/8-10-B		10	G3/8	18	44,5	12	15,7	32,5	11	21
QSTF-3/8-12-B		12	G3/8	21	44,5	12	17,2	35,2	11	21
QSTF-1/2-12-B	R1/2	12	G1/2	21	52,2	13	16,5	38,2	14	24

Dimensions

Dimensions – Push-in T-fitting QSTF, G thread with sealing ring

Download CAD data www.festo.com

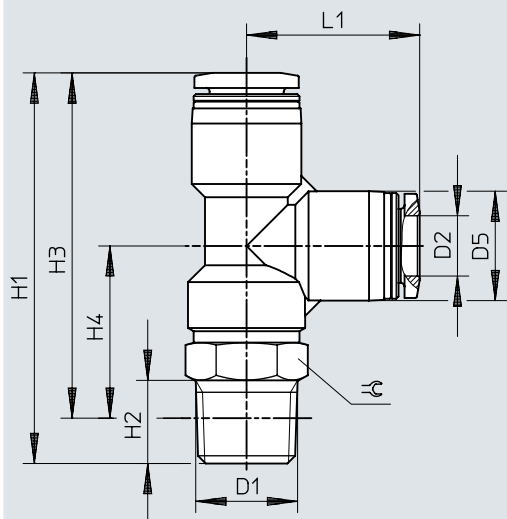


	D1	D2	D3	D5 ∅	H1	H2	H3	L1	T1	≅ 1
QSTF-G1/8-4	G1/8	4	G1/8	10	26	5,1	8,7	23,4	7	14
QSTF-G1/8-6		6	G1/8	12,4	26	5,1	9	25,5	7	14
QSTF-G1/8-8		8	G1/8	14,4	26	5,1	10	28,4	7	14
QSTF-G1/4-6	G1/4	6	G1/4	14,5	33,2	5,6	10,4	29	9,5	19
QSTF-G1/4-8		8	G1/4	14,5	33,2	5,6	10,4	28,9	9,5	19
QSTF-G1/4-10		10	G1/4	17,6	33,2	5,6	11,7	31,2	9,5	19
QSTF-G3/8-8	G3/8	8	G3/8	14,4	38,1	6,6	12,6	31	11	24
QSTF-G3/8-10		10	G3/8	17,6	38,1	6,6	12,6	33,6	11	24
QSTF-G3/8-12		12	G3/8	21	38,1	6,6	14,3	36,4	11	24
QSTF-G1/2-12	G1/2	12	G1/2	21	42,8	7,6	14,3	37,9	14	27

Dimensions

Dimensions – Push-in T-fitting QSTL, R thread

Download CAD data www.festo.com

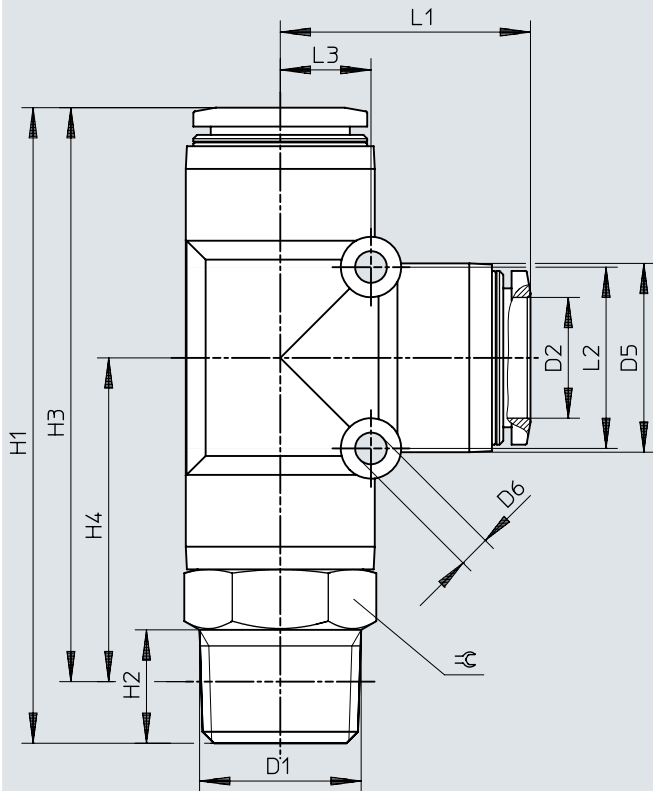


	D1	D2	D5 ∅	H1	H2	H3	H4	L1	⊖
QSTL-1/8-4	R1/8	4	10	40,2	8	36,2	19	17,2	10
QSTL-1/8-4-100									
QSTL-1/8-6		6	12,5	43,3	8	39,3	18,8	20,5	10
QSTL-1/8-6-100									
QSTL-1/8-8									
QSTL-1/8-8-50	8	14,5	46,9	8	42,9	20	22,9	12	
QSTL-1/4-6	R1/4	6	12,5	48,8	11	42,7	22,2	20,5	14
QSTL-1/4-6-100									
QSTL-1/4-8		8	14,5	51,7	11	45,7	22,8	22,9	14
QSTL-1/4-8-50									
QSTL-1/4-10									
QSTL-1/4-10-50	10	17,5	54,7	11	48,7	22,5	26,2	14	
QSTL-3/8-8	R3/8	8	14,5	55,4	12	49,1	26,2	22,9	17
QSTL-3/8-10		10	17,5	58,2	12	51,9	25,7	26,2	17
QSTL-3/8-12		12	21	63,5	12	57,2	26,7	30,5	17
QSTL-1/2-12	R1/2	12	21	67,5	15	59,3	28,8	30,7	21

Dimensions

Dimensions – Push-in T-bolt QSTL-...-16, R thread

Download CAD data www.festo.com

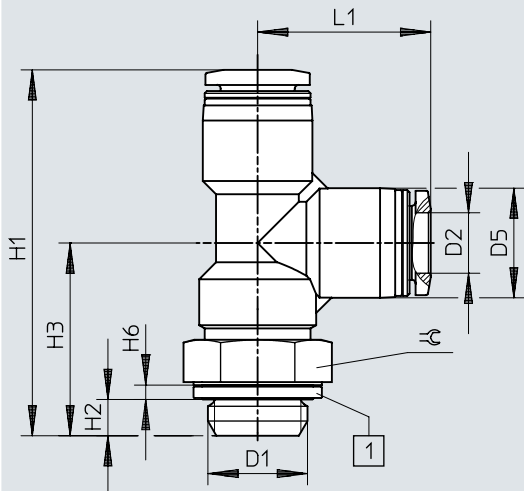


	D1	D2	D5 ∅	D6 ∅	H1	H2	H3	H4	L1	L2	L3	☉
QSTL-1/2-16	R1/2	16	25	4,2	84,1	15	75,9	42,8	33,1	24	12	22

Dimensions

Dimensions – Push-in T-fitting QSTL, G thread with sealing ring

Download CAD data www.festo.com



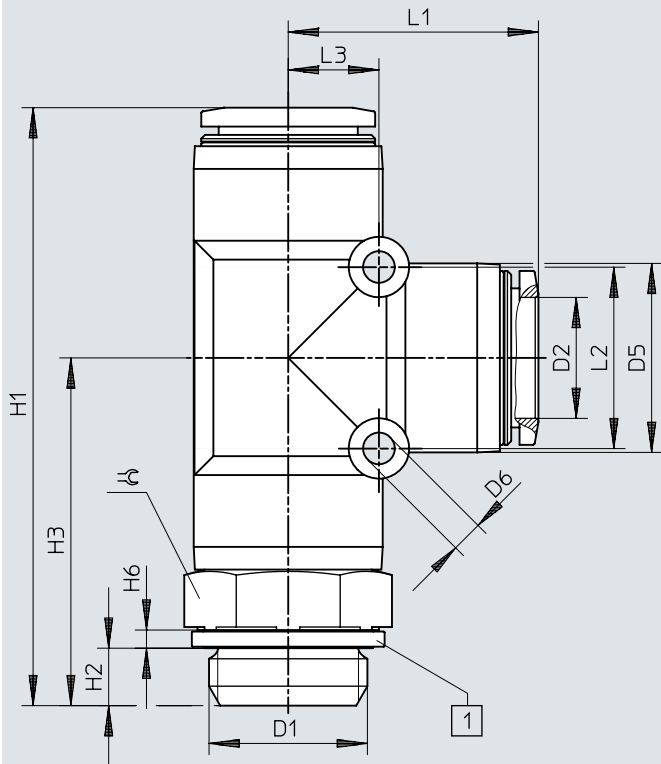
[1] Sealing ring

	D1	D2	D5 ∅	H1	H2	H3	H6	L1	⊕	
QSTL-G1/8-4	G1/8	4	10	39,3	4,2	22,1	1,9	17,2	13	
QSTL-G1/8-4-100		6	12,5	42,4	4,2	21,9	1,9	20,5	13	
QSTL-G1/8-6		8	14,5	45	4,2	22,1	1,9	22,9	13	
QSTL-G1/8-6-100		G1/4	6	12,5	45,5	4,8	25	1,9	20,5	17
QSTL-G1/8-8			8	14,5	48,4	4,8	25,5	1,9	22,9	17
QSTL-G1/8-8-50	10		17,5	51,4	4,8	25,2	1,9	26,2	17	
QSTL-G1/4-6	8		14,5	51,6	5,8	28,7	2,4	22,9	19	
QSTL-G1/4-6-100	10		17,5	54,4	5,8	28,2	2,4	26,2	19	
QSTL-G1/4-8	G3/8	12	21	59,7	5,8	29,2	2,4	30,5	19	
QSTL-G1/4-8-50		G1/2	12	21	63,2	6,8	32,7	2,4	30,7	24
QSTL-G1/4-10										
QSTL-G1/4-10-50										
QSTL-G3/8-8										
QSTL-G3/8-10										
QSTL-G3/8-12										
QSTL-G1/2-12										

Dimensions

Dimensions – Push-in T-fitting QSTL-...-16, G thread with sealing ring

Download CAD data www.festo.com



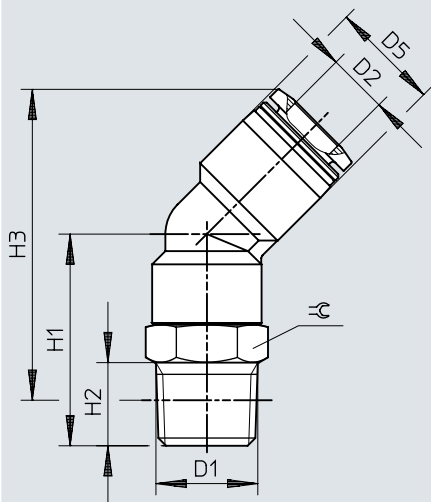
[1] Sealing ring

	D1	D2	D5 ∅	D6 ∅	H1	H2	H3	H6	L1	L2	L3	≡C
QSTL-G1/2-16	G1/2	16	25	4,2	78,3	6,8	45,2	2,4	33,1	24	12	24

Dimensions

Dimensions – Push-in fitting QSW, R thread

Download CAD data www.festo.com

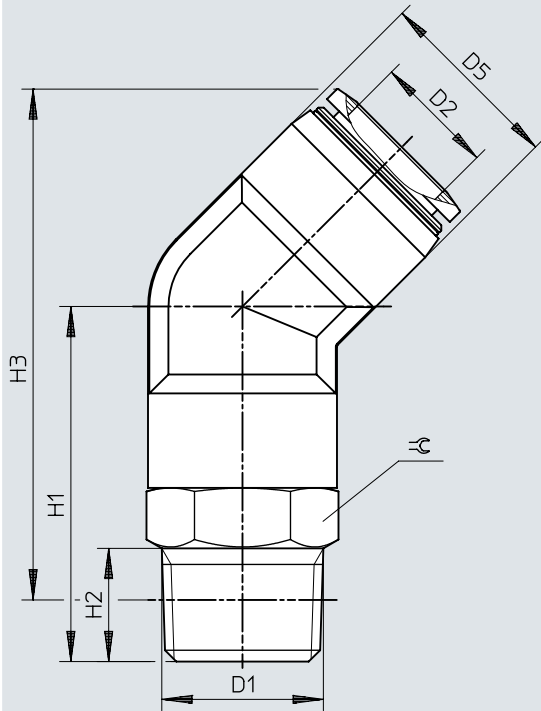


	D1	D2	D5 ∅	H1	H2	H3	☉
QSW-1/8-4	R1/8	4	8	14,8	8	23	10
QSW-1/8-6		6	10,5	16,4	8	25,3	10
QSW-1/8-8		8	14,5	24	8	39,2	12
QSW-1/4-6	R1/4	6	10,5	21,4	11	28,2	14
QSW-1/4-8		8	14,5	28	11	41,2	14
QSW-1/4-10		10	17,5	28,5	11	44,9	14
QSW-3/8-10	R3/8	10	17,5	33	12	49,1	17
QSW-3/8-12		12	21	32,5	12	53,2	17
QSW-1/2-12	R1/2	12	21	36,5	15	55,4	21

Dimensions

Dimensions – Push-in fitting QSW-...-16, R thread

Download CAD data www.festo.com



	D1	D2	D1	D2	H2	H3	⊥
QSW-1/2-16	R1/2	16	25	47	15	67,6	22

Dimensions

Dimensions – Push-in connector QSW-...HL with push-in sleeve

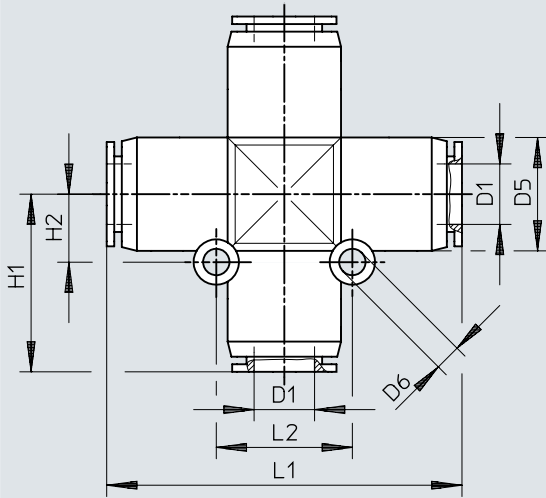
Download CAD data www.festo.com

	D1	D2	D5	D6	H1	H2
QSW-4HL	QS-4	4	8	8	21,8	15
QSW-6HL	QS-6	6	10,5	8	24,6	17,3
QSW-8HL	QS-8	8	14,5	10	28,5	25,7
QSW-10HL	QS-10	10	17,5	11	31,5	30,5
QSW-12HL	QS-12	12	21	14	35,5	36,3

Dimensions

Dimensions – Push-in X-connector QSX

Download CAD data www.festo.com

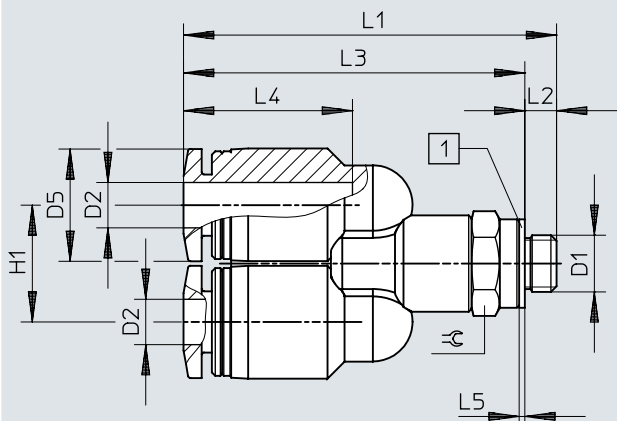


	D1	D5 ∅	D6 ∅	H1	H2	L1	L2
QSX-8	8	15	3,5	23,5	9	47	18
QSX-10	10	17,5	4,5	27,5	11	55	22
QSX-12	12	21	4,5	31	12	62	24

Dimensions

Dimensions – Push-in Y-fitting QSY, metric thread with sealing ring

Download CAD data www.festo.com



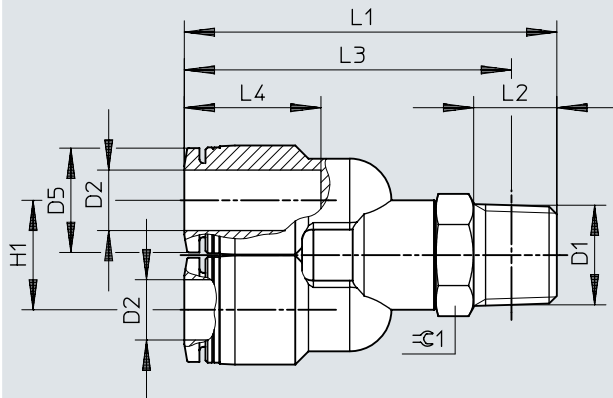
[1] Sealing ring

	D1	D2	D5 ∅	H1	L1	L2	L3	L4	L5	≈ \ominus
QSY-M5-4	M5x0,8	4	10	10,3	32,9	2,8	30,1	14,9	0,5	8
QSY-M5-6		6	12,5	12,5	38,3	2,8	35,5	17	0,5	10

Dimensions

Dimensions – Push-in Y-connector QSY, R-thread

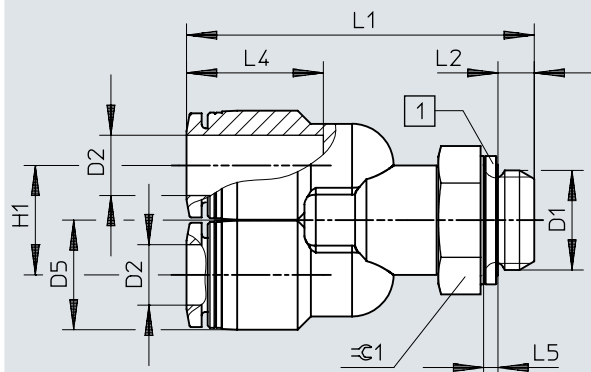
Download CAD data www.festo.com



	D1	D2	D5 ø	H1	L1	L2	L3	L4	⌀
QSY-1/8-4	R1/8	4	10	10,3	38,4	8	34,4	14,9	10
QSY-1/8-6		6	12,5	12,5	41,3	8	37,3	17	10
QSY-1/8-8		8	14,5	14,5	46,1	8	42,1	18,1	12
QSY-1/4-4	R1/4	4	10	10,3	43,4	11	37,4	14,9	14
QSY-1/4-6		6	12,5	12,5	48,3	11	42,2	17	14
QSY-1/4-8		8	14,5	14,5	49,3	11	43,3	18,1	14
QSY-1/4-10		10	17,5	17,5	53,6	11	47,6	20,2	14
QSY-3/8-8	R3/8	8	14,5	14,5	52,5	12	46,2	18,1	17
QSY-3/8-10		10	17,5	17,5	56,7	12	50,4	20,2	17
QSY-3/8-12		12	21	21	60,6	12	54,3	23,4	17
QSY-1/2-10	R1/2	10	17,5	17,5	60,2	15	52	20,2	21
QSY-1/2-12		12	21	21	64,7	15	56,5	23,4	21

Dimensions

Dimensions – Push-in Y-fitting QSY, G thread with sealing ring

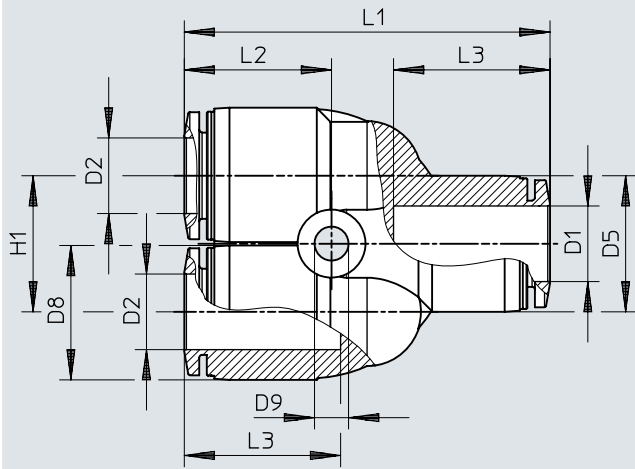
Download CAD data www.festo.com

	D1	D2	D5 ∅	H1	L1	L2	L4	L5	≡
QSY-G1/8-4	G1/8	4	10	10,3	37,5	4,2	14,9	1,9	13
QSY-G1/8-6		6	12,5	12,5	40,4	4,2	17	1,9	13
QSY-G1/8-8		8	14,5	14,5	44,2	4,2	18,1	1,9	13
QSY-G1/4-6	G1/4	6	12,5	12,5	45	4,8	17	1,9	17
QSY-G1/4-8		8	14,5	14,5	46	4,8	18,1	1,9	17
QSY-G1/4-10		10	17,5	17,5	50,3	4,8	20,2	1,9	17
QSY-G3/8-8	G3/8	8	14,5	14,5	48,7	5,8	18,1	2,4	19
QSY-G3/8-10		10	17,5	17,5	52,9	5,8	20,2	2,4	19
QSY-G3/8-12		12	21	21	56,8	5,8	23,4	2,4	19
QSY-G1/2-12	G1/2	12	21	21	60,4	6,8	23,4	2,4	24

Dimensions

Dimensions – Push-in Y-connector QSY

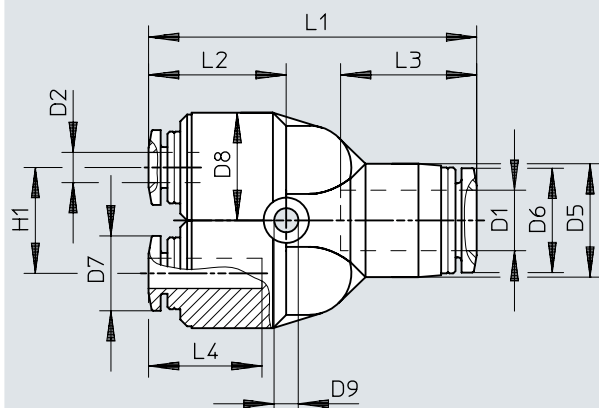
Download CAD data www.festo.com



	D1	D2	D5 ø	D8 ø	D9 ø	H1	L1	L2	L3
QSY-4	4	4	10	10	3,2	11	32,8	14,1	14,9
QSY-4-100									
QSY-6	6	6	13	12,5	3,4	12	37,7	15,8	17
QSY-6-100									
QSY-8	8	8	15	14,5	3,4	14	42,4	17,2	18,1
QSY-8-50									
QSY-10	10	10	17,5	17,5	4,2	18	48,4	19,5	20,7
QSY-10-20									
QSY-12	12	12	21	21	4,2	20	54,9	22,3	23,4
QSY-12-20									
QSY-16	16	16	25	25	4,5	24	62,2	22,1	24,1

Dimensions

Dimensions – Push-in Y-connector QSY, reducing

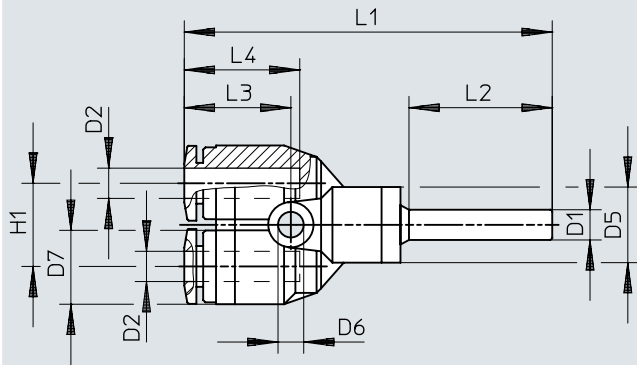
Download CAD data www.festo.com

	D1	D2	D5 ∅	D6 ∅	D7 ∅	D8 ∅	D9 ∅	H1	L1	L2	L3	L4
QSY-6-4	6	4	13	11,8	9,9	12,5	3,4	12	37,2	15,2	17	14,9
QSY-6-4-100												
QSY-8-4	8	4	14,5	13,8	9,9	12,5	3,4	14	41,9	16,7	18,1	14,9
QSY-8-6		6	14,5	13,8	11,8	12,5	3,4	14	42,5	17,3	18,1	17
QSY-8-6-50												
QSY-10-6	10	6	17,5	16,8	11,8	14,5	4,5	18	48,2	19,3	20,2	17
QSY-10-8		8	17,5	16,8	13,8	14,5	4,5	18	48,1	19,2	20,2	18,1
QSY-10-8-20												
QSY-12-8	12	8	21	19,8	13,8	17,5	4,5	20	54,3	21,7	23,4	18,1
QSY-12-10		10	21	19,8	16,8	17,5	4,5	20	54,6	22	23,4	20,2
QSY-12-10-20												
QSY-16-12	16	12	25	23	19,8	25	4,5	24	62,3	22,2	24,1	23,4

Dimensions

Dimensions – Push-in Y-fitting QSY-...H with push-in sleeve

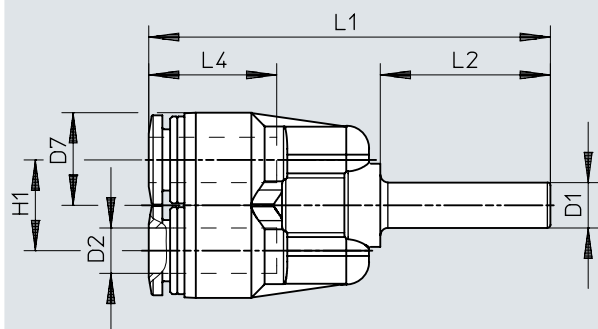
Download CAD data www.festo.com



	D1	D2	D5 ∅	D6 ∅	D7 ∅	H1	L1	L2	L3	L4
QSY-4H	QS-4	4	10	3,2	10	11	48,7	19	14,1	14,9
QSY-6H-4	QS-6	4	10	3,2	10	11	50,9	22	14,1	14,9

Dimensions

Dimensions – Push-in Y-connector QSY-...H-B with push-in sleeve

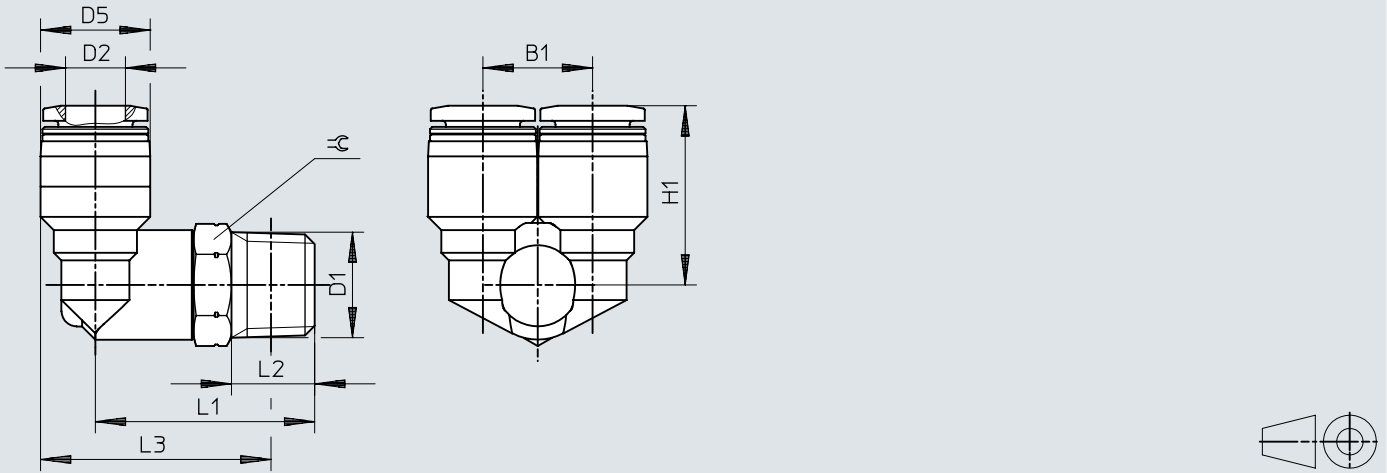
Download CAD data www.festo.com

	D1	D2	D7 ∅	H1	L1	L2	L4
QSY-6H-B	QS-6	6	12,5	12	53,2	22,5	17
QSY-8H-B	QS-8	8	14,5	14	56,1	23,5	18,1
QSY-10H-B	QS-10	10	17,5	18	63,2	25	20,2
QSY-12H-B	QS-12	12	21	20	71,3	29	23,4
QSY-8H-6-B	QS-8	6	12,5	12	54,2	23,5	17
QSY-10H-8-B	QS-10	8	14,5	14	57,6	25	18,1
QSY-12H-10-B	QS-12	10	17,5	18	67,2	29	20,2

Dimensions

Dimensions – Push-in Y-fitting QSYL, R thread

Download CAD data www.festo.com

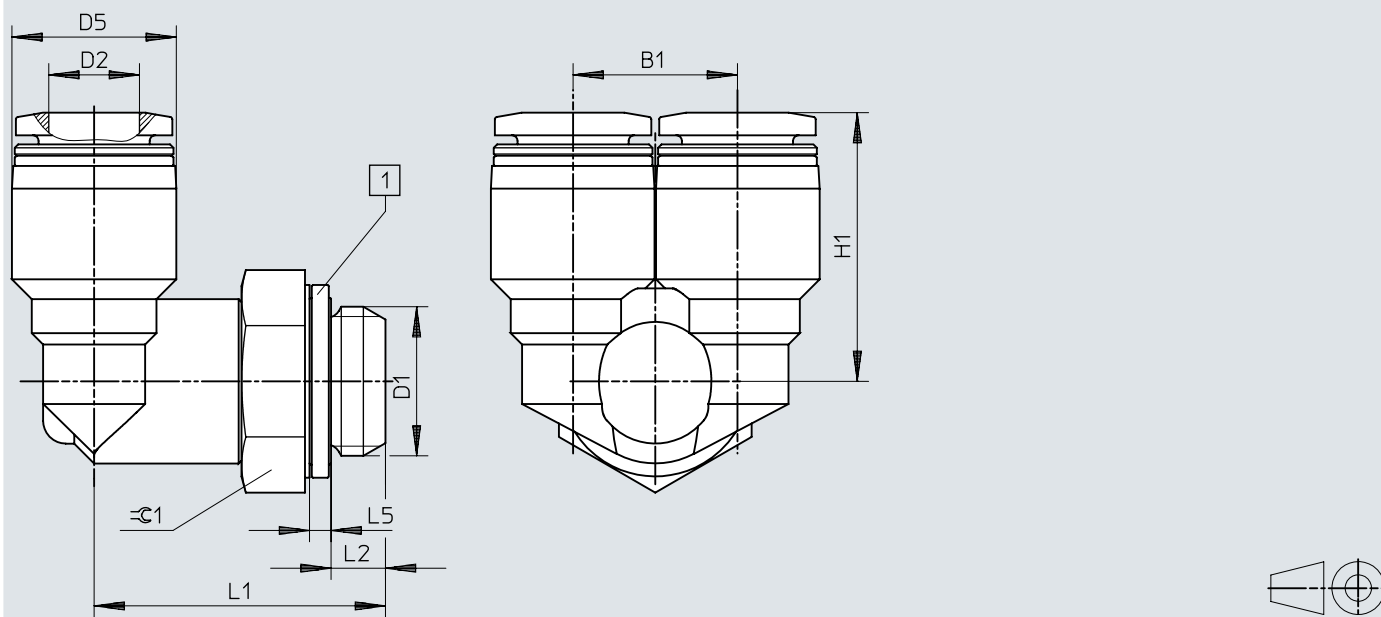


	D1	D2	B1	D5 ∅	H1	L1	L2	L3	☉
QSYL-1/8-4	R1/8	4	10,3	10	18,2	23	8	24	10
QSYL-1/8-6		6	12,5	12,5	19,8	23,5	8	25,8	10
QSYL-1/8-8		8	14,5	14,5	22,7	25	8	28,3	12
QSYL-1/4-6	R1/4	6	12,5	12,5	21,8	29	11	29,2	14
QSYL-1/4-8		8	14,5	14,5	23,7	29	11	30,2	14
QSYL-1/4-10		10	17,5	17,5	26	29,5	11	32,2	14
QSYL-3/8-8	R3/8	8	14,5	14,5	24,7	32	12	32,9	17
QSYL-3/8-10		10	17,5	17,5	27	32,5	12	34,9	17
QSYL-3/8-12		12	21	21	29,2	33,5	12	37,7	17
QSYL-1/2-12	R1/2	12	21	21	30,2	38	15	40,3	21

Dimensions

Dimensions – Push-in Y-fitting QSYL, G thread with sealing ring

Download CAD data www.festo.com



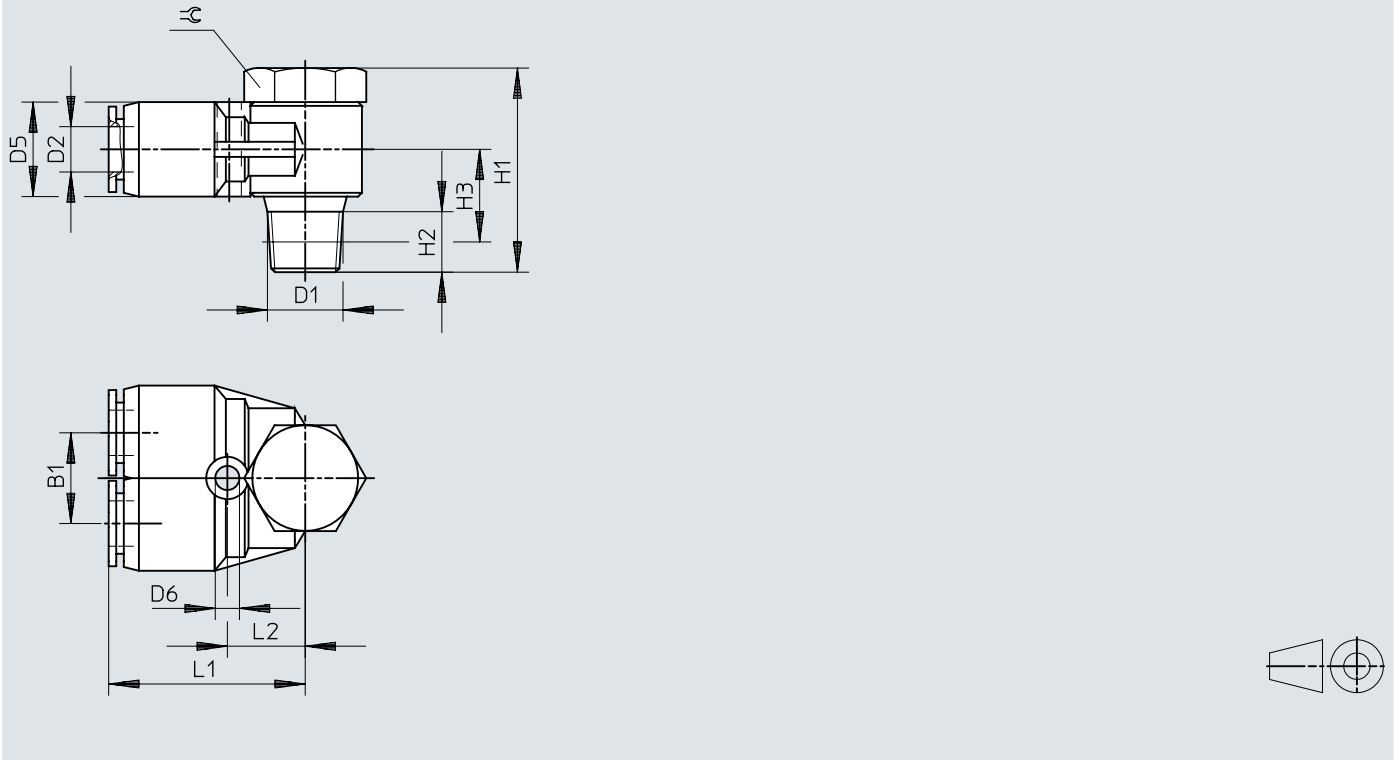
[1] Sealing ring

	D1	D2	B1	D5 ø	H1	L1	L2	L5	⌀
QSYL-G1/8-4	G1/8	4	10,3	10	18,2	22,1	4,2	1,9	13
QSYL-G1/8-6		6	12,5	12,5	19,8	22,6	4,2	1,9	13
QSYL-G1/8-8		8	14,5	14,5	22,7	23,1	4,2	1,9	13
QSYL-G1/4-6	G1/4	6	12,5	12,5	21,8	25,7	4,8	1,9	17
QSYL-G1/4-8		8	14,5	14,5	23,7	25,7	4,8	1,9	17
QSYL-G1/4-10		10	17,5	17,5	26	26,2	4,8	1,9	17
QSYL-G3/8-8	G3/8	8	14,5	14,5	24,7	28,2	5,8	2,4	19
QSYL-G3/8-10		10	17,5	17,5	27	28,7	5,8	2,4	19
QSYL-G3/8-12		12	21	21	29,2	29,7	5,8	2,4	19
QSYL-G1/2-12	G1/2	12	21	21	30,2	33,7	6,8	2,4	24

Dimensions

Dimensions – Push-in Y-fitting QSYLV, R thread

Download CAD data www.festo.com

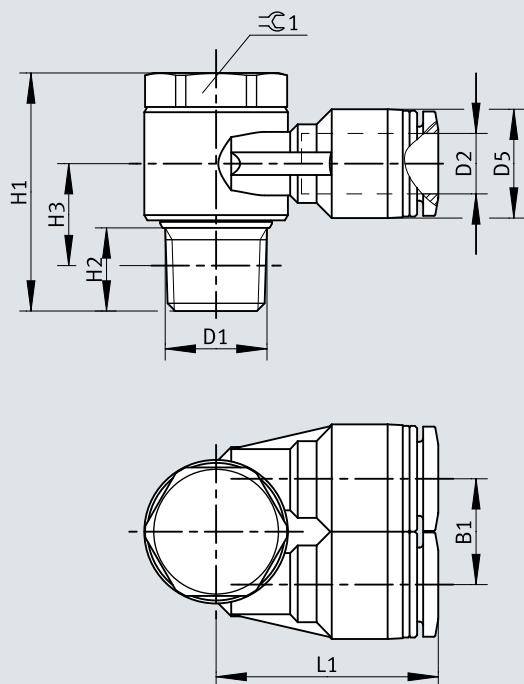


	D1	D2	B1	D5 ∅	D6 ∅	H1	H2	H3	L1	L2	≅
QSYLV-1/8-6	R1/8	6	12	12,5	3,2	27	8	11	26	10,5	14
QSYLV-1/4-8	R1/4	8	14	14,5	3,2	31,5	11	12,5	29	12,5	17
QSYLV-3/8-10	R3/8	10	17	17,5	4,2	36	12	14,5	33,5	15	21
QSYLV-1/2-12	R1/2	12	20	21	4,2	40	15	17,5	37,5	17	24

Dimensions

Dimensions – Push-in Y-fitting QSYLV, G thread with sealing ring


Download CAD data www.festo.com




	D1	D2	B1	D5 ø	D6 ø	H1	H2	H3	L1	L2	⊕
QSYLV-G1/8-6	G1/8	6	12	12,4	3,2	26,2	5,1	15,2	27,5	12	17
QSYLV-G1/4-8	G1/4	8	14	14,4	3,2	28,4	5,6	16,4	30,9	14	19
QSYLV-G3/8-10	G3/8	10	17	17,6	4,2	33,4	6,6	19,4	34	15,5	21
QSYLV-G1/2-12	G1/2	12	20	21	4,2	37,4	7,6	21,9	38,9	18,5	27


Ordering data

Ordering data – Push-in fitting QS, R thread

	Pneumatic connection, port 1	Pneumatic connection, port 2	Nominal size	Size of pack	Part no.	Type
	Male thread R1/8	For tubing outside diameter of 4 mm	3 mm	10	153001	QS-1/8-4
				100	130674	QS-1/8-4-100
		For tubing outside diameter of 6 mm	5 mm	10	153002	QS-1/8-6
				100	130675	QS-1/8-6-100
		For tubing outside diameter of 8 mm	6 mm	10	153004	QS-1/8-8
				50	130676	QS-1/8-8-50
		For tubing outside diameter of 10 mm	6 mm	10	190643	QS-1/8-10
		Male thread R1/4		For tubing outside diameter of 4 mm	3 mm	10
	100		153003			QS-1/4-6
	For tubing outside diameter of 6 mm	5 mm	3 mm	100	130677	QS-1/4-6-100
				For tubing outside diameter of 8 mm	7 mm	10
	For tubing outside diameter of 10 mm	8.5 mm	50			130678
			For tubing outer diameter of 12 mm	8.5 mm	10	153007
	For tubing outer diameter of 12 mm	8.5 mm			50	130679
			For tubing outer diameter of 12 mm	8.5 mm	10	164980
	For tubing outer diameter of 12 mm	8.5 mm			20	130680
			Male thread R3/8	For tubing outside diameter of 6 mm	5 mm	10
	For tubing outside diameter of 8 mm	7 mm				
				For tubing outside diameter of 10 mm	9 mm	10
	For tubing outside diameter of 12 mm	11 mm				10
				For tubing outside diameter of 16 mm	11 mm	50
	For tubing outside diameter of 16 mm	11 mm				10
			For tubing outside diameter of 16 mm	11 mm	20	130683
	Male thread R1/2	For tubing outside diameter of 10 mm			9 mm	50
For tubing outer diameter of 12 mm			11 mm	1		
		For tubing outer diameter of 12 mm		11 mm	20	133189
For tubing outside diameter of 13 mm			13 mm		1	153010
		For tubing outside diameter of 13 mm		13 mm	20	130684
For tubing outside diameter of 13 mm			13 mm		1	153011
	For tubing outside diameter of 13 mm	13 mm		20	130685	QS-1/2-16-20


Ordering data

Ordering data – Push-in fitting QS, G thread with sealing ring						
	Pneumatic connection, port 1	Pneumatic connection, port 2	Nominal size	Size of pack	Part no.	Type
	Male thread G1/8	For tubing outside diameter of 4 mm	3 mm	10	186095	QS-G1/8-4
				100	132036	QS-G1/8-4-100
		For tubing outside diameter of 6 mm	5 mm	10	186096	QS-G1/8-6
				100	132037	QS-G1/8-6-100
		For tubing outside diameter of 6 mm	6 mm	10	186098	QS-G1/8-8
				50	132038	QS-G1/8-8-50
	Male thread G1/4	For tubing outside diameter of 6 mm	5 mm	10	186097	QS-G1/4-6
				100	132039	QS-G1/4-6-100
		For tubing outside diameter of 8 mm	7 mm	10	186099	QS-G1/4-8
				50	132040	QS-G1/4-8-50
		For tubing outside diameter of 10 mm	8.5 mm	10	186101	QS-G1/4-10
				50	132041	QS-G1/4-10-50
		For tubing outer diameter of 12 mm	8.5 mm	10	186350	QS-G1/4-12
				20	132042	QS-G1/4-12-20
	Male thread G3/8	For tubing outside diameter of 8 mm	7 mm	10	186100	QS-G3/8-8
				50	132043	QS-G3/8-8-50
		For tubing outside diameter of 10 mm	9 mm	10	186102	QS-G3/8-10
				50	132044	QS-G3/8-10-50
		For tubing outer diameter of 12 mm	11 mm	10	186103	QS-G3/8-12
				20	132045	QS-G3/8-12-20
For tubing outside diameter of 16 mm		11 mm	1	186347	QS-G3/8-16	
				186104	QS-G1/2-12	
Male thread G1/2	For tubing outer diameter of 12 mm	11 mm	20	132046	QS-G1/2-12-20	
				186105	QS-G1/2-16	
For tubing outside diameter of 16 mm	13 mm	1	186105	QS-G1/2-16		
		20	132047	QS-G1/2-16-20		
Male thread G3/4	For tubing outside diameter of 22 mm	20 mm	1	8040613	QS-G3/4-22	


Ordering data – Push-in fitting QS-...-I, R thread						
	Pneumatic connection, port 1	Pneumatic connection, port 2	Nominal size	Size of pack	Part no.	Type
	Male thread R1/8	For tubing outside diameter of 4 mm	2.6 mm	10	153012	QS-1/8-4-I
				100	133191	QS-1/8-4-I-100
		For tubing outside diameter of 6 mm	4.2 mm	10	153013	QS-1/8-6-I
				100	133186	QS-1/8-6-I-100
		For tubing outside diameter of 8 mm	5.3 mm	10	153015	QS-1/8-8-I
				50	133187	QS-1/8-8-I-50
	For tubing outside diameter of 10 mm	5.3 mm	10	190647	QS-1/8-10-I	
				153014	QS-1/4-6-I	
	Male thread R1/4	For tubing outside diameter of 6 mm	4.2 mm			

Ordering data


Ordering data – Push-in fitting QS-...-I, R thread


	Pneumatic connection, port 1	Pneumatic connection, port 2	Nominal size	Size of pack	Part no.	Type
	Male thread R1/4	For tubing outside diameter of 6 mm	4.2 mm	100	133193	QS-1/4-6-I-100
		For tubing outside diameter of 8 mm	6.3 mm	10	153016	QS-1/4-8-I
				50	133190	QS-1/4-8-I-50
		For tubing outside diameter of 10 mm	6.3 mm	10	153018	QS-1/4-10-I
	50			133188	QS-1/4-10-I-50	
	Male thread R3/8	For tubing outer diameter of 12 mm	8.4 mm	10	190649	QS-1/4-12-I
		For tubing outside diameter of 8 mm			153017	QS-3/8-8-I
		For tubing outside diameter of 10 mm			153019	QS-3/8-10-I
	Male thread R1/2	For tubing outer diameter of 12 mm	8.4 mm	10	153020	QS-3/8-12-I
		For tubing outside diameter of 10 mm			190648	QS-1/2-10-I
		For tubing outer diameter of 12 mm	8.4 mm		153021	QS-1/2-12-I

Ordering data – Push-in fitting QS-...-I, G thread with sealing ring

	Pneumatic connection, port 1	Pneumatic connection, port 2	Nominal size	Size of pack	Part no.	Type
	Male thread G1/8	For tubing outside diameter of 4 mm	2.6 mm	10	186106	QS-G1/8-4-I
				100	133008	QS-G1/8-4-I-100
		For tubing outside diameter of 6 mm	4.2 mm	10	186107	QS-G1/8-6-I
				100	133009	QS-G1/8-6-I-100
		For tubing outside diameter of 8 mm	5.3 mm	10	186109	QS-G1/8-8-I
				100	133010	QS-G1/8-8-I-100
		For tubing outside diameter of 10 mm	5.3 mm	10	132999	QS-G1/8-10-I
				100	133000	QS-G1/8-10-I-100
	Male thread G1/4	For tubing outside diameter of 6 mm	4.2 mm	10	186108	QS-G1/4-6-I
		For tubing outside diameter of 8 mm	6.3 mm		186110	QS-G1/4-8-I
		For tubing outside diameter of 10 mm	7.3 mm		186112	QS-G1/4-10-I
	Male thread G3/8	For tubing outside diameter of 8 mm	6.3 mm		186111	QS-G3/8-8-I
		For tubing outside diameter of 10 mm	7.3 mm		186113	QS-G3/8-10-I


Ordering data

Ordering data – Push-in fitting QS-...-I, G thread with sealing ring						
	Pneumatic connection, port 1	Pneumatic connection, port 2	Nominal size	Size of pack	Part no.	Type
	Male thread G3/8	For tubing outer diameter of 12 mm	8.4 mm	10	186114	QS-G3/8-12-I
	Male thread G1/2				186115	QS-G1/2-12-I


Ordering data – Push-in fitting QSF, G-thread							
	Pneumatic connection, port 1	Pneumatic connection, port 2	Nominal size	Size of pack	Part no.	Type	
	Female thread G1/8	For tubing outside diameter of 4 mm	3 mm	10	153022	QSF-1/8-4-B	
				100	130709	QSF-1/8-4-B-100	
		For tubing outside diameter of 6 mm	5 mm	10	153023	QSF-1/8-6-B	
				100	130710	QSF-1/8-6-B-100	
		For tubing outside diameter of 7 mm	7 mm	10	153025	QSF-1/8-8-B	
				50	130711	QSF-1/8-8-B-50	
	Female thread G1/4	For tubing outside diameter of 4 mm	3 mm	10	190650		QSF-1/4-4-B
					For tubing outside diameter of 6 mm	5 mm	100
		100	130712	QSF-1/4-6-B-100			
		For tubing outside diameter of 8 mm	7 mm	10	153026	QSF-1/4-8-B	
				50	130713	QSF-1/4-8-B-50	
		For tubing outside diameter of 10 mm	9 mm	10	153028	QSF-1/4-10-B	
	50			130714	QSF-1/4-10-B-50		
	Female thread G3/8	For tubing outside diameter of 12 mm	11 mm	10	190651		QSF-1/4-12-B
					For tubing outside diameter of 6 mm	5 mm	190652
		For tubing outside diameter of 8 mm	7 mm	50			153027
				50	130715	QSF-3/8-8-B-50	
		For tubing outside diameter of 10 mm	9 mm	10	153029	QSF-3/8-10-B	
				50	130716	QSF-3/8-10-B-50	
	Female thread G1/2	For tubing outer diameter of 12 mm	11 mm	10	153030	QSF-3/8-12-B	
20				130717	QSF-3/8-12-B-20		
For tubing outside diameter of 16 mm		15 mm	1	190653	QSF-1/2-12-B		
			1	190654	QSF-1/2-16-B		

Ordering data


Ordering data – Push-in connector QS

	Pneumatic connection, port 1	Pneumatic connection, port 2	Nominal size	Size of pack	Part no.	Type
	For tubing outer diameter of 4 mm	For tubing outside diameter of 4 mm	2.8 mm	10	153031	QS-4
				100	130686	QS-4-100
	For tubing outside diameter of 6 mm	For tubing outside diameter of 6 mm	4.3 mm	10	153032	QS-6
				100	130687	QS-6-100
	For tubing outer diameter of 8 mm	For tubing outside diameter of 8 mm	7 mm	10	153033	QS-8
				50	130688	QS-8-50
	For tubing outer diameter of 10 mm	For tubing outside diameter of 10 mm	9 mm	10	153034	QS-10
				50	130689	QS-10-50
	For tubing outer diameter of 12 mm	For tubing outer diameter of 12 mm	11 mm	10	153035	QS-12
				20	130690	QS-12-20
	For tubing outer diameter of 16 mm	For tubing outside diameter of	13 mm	1	153036	QS-16
				20	133195	QS-16-20


Ordering data – Push-in connector QS, reducing


	Pneumatic connection, port 1	Pneumatic connection, port 2	Nominal size	Size of pack	Part no.	Type
	For tubing outside diameter of 6 mm	For tubing outside diameter of 4 mm	2.8 mm	10	153037	QS-6-4
				100	130691	QS-6-4-100
	For tubing outer diameter of 8 mm	For tubing outside diameter of 6 mm	4.3 mm	10	130606	QS-8-4
				50	130692	QS-8-6-50
	For tubing outer diameter of 10 mm	For tubing outside diameter of 8 mm	6.5 mm	10	130607	QS-10-6
				50	130693	QS-10-8-50
	For tubing outer diameter of 12 mm	For tubing outside diameter of 8 mm	6.2 mm	10	130608	QS-12-8
				20	153040	QS-12-10
		For tubing outside diameter of	9 mm	10	130694	QS-12-10-20
				20	130694	QS-12-10-20

Ordering data – Push-in bulkhead connector QSS

	Pneumatic connection, port 1	Pneumatic connection, port 2	Nominal size	Size of pack	Part no.	Type
	For tubing outer diameter of 4 mm	For tubing outside diameter of 4 mm	3 mm	10	153157	QSS-4
				100	130788	QSS-4-100
	For tubing outside diameter of 6 mm	For tubing outside diameter of 6 mm	5 mm	10	153158	QSS-6
				100	130789	QSS-6-100
	For tubing outer diameter of 8 mm	For tubing outside diameter of 8 mm	7 mm	10	153159	QSS-8
				50	130790	QSS-8-50
	For tubing outer diameter of 10 mm	For tubing outside diameter of 10 mm	9 mm	10	153160	QSS-10
				50	130791	QSS-10-50
	For tubing outer diameter of 12 mm	For tubing outer diameter of 12 mm	11 mm	10	153161	QSS-12
				20	130792	QSS-12-20


Ordering data

Ordering data – Push-in bulkhead connector QSS-...-F, with fixed collar						
	Pneumatic connection, port 1	Pneumatic connection, port 2	Nominal size	Size of pack	Part no.	Type
	For tubing outer diameter of 4 mm	For tubing outside diameter of 4 mm	2.6 mm	10	193950	QSS-4-F
	For tubing outside diameter of 6 mm	For tubing outside diameter of 6 mm	4 mm		193951	QSS-6-F
	For tubing outer diameter of 8 mm	For tubing outside diameter of 8 mm	5.5 mm		130642	QSS-8-F
	For tubing outer diameter of 10 mm	For tubing outside diameter of 10 mm	6.5 mm		130643	QSS-10-F
	For tubing outer diameter of 12 mm	For tubing outer diameter of 12 mm	7.5 mm		130644	QSS-12-F


Ordering data – Bulkhead push-in fitting QSSF						
	Pneumatic connection, port 1	Pneumatic connection, port 2	Nominal size	Size of pack	Part no.	Type
	Female thread G1/8	For tubing outside diameter of 4 mm	3 mm	10	153162	QSSF-1/8-4-B
		For tubing outside diameter of 6 mm	5 mm		153163	QSSF-1/8-6-B
		For tubing outside diameter of 8 mm	7 mm		153165	QSSF-1/8-8-B
	Female thread G1/4	For tubing outside diameter of 4 mm	3 mm		190655	QSSF-1/4-4-B
		For tubing outside diameter of 6 mm	5 mm		153164	QSSF-1/4-6-B
		For tubing outside diameter of 8 mm	7 mm		153166	QSSF-1/4-8-B
		For tubing outside diameter of 10 mm	9 mm		153168	QSSF-1/4-10-B
	Female thread G3/8	For tubing outside diameter of 6 mm	5 mm		190656	QSSF-3/8-6-B
		For tubing outside diameter of 8 mm	7 mm		153167	QSSF-3/8-8-B
		For tubing outside diameter of 10 mm	9 mm		153169	QSSF-3/8-10-B
		For tubing outer diameter of 12 mm	11 mm		153170	QSSF-3/8-12-B
	Female thread G1/2	For tubing outer diameter of 12 mm			153171	QSSF-1/2-12-B
		For tubing outside diameter of 16 mm	15 mm		190657	QSSF-1/2-16-B

Ordering data


Ordering data – Push-in cap QSC

	Pneumatic connection, port 1	Product weight	Size of pack	Part no.	Type
	For tubing outer diameter of 4 mm	2.4 g	10	153262	QSC-4
			100	130704	QSC-4-100
	For tubing outside diameter of 6 mm	3.3 g	10	153263	QSC-6
			100	130705	QSC-6-100
	For tubing outer diameter of 8 mm	4.7 g	10	153264	QSC-8
			50	130706	QSC-8-50
	For tubing outer diameter of 10 mm	7.8 g	10	153265	QSC-10
			50	130707	QSC-10-50
	For tubing outer diameter of 12 mm	12 g	10	153266	QSC-12
			20	130708	QSC-12-20


Ordering data – Plug connector QS-...H


	Pneumatic connection, port 1	Pneumatic connection, port 2	Nominal size	Size of pack	Part no.	Type	
	Push-in sleeve Ø 6 mm	For tubing outside diameter of 4 mm	2.5 mm	10	153041	QS-6H-4	
				100	130695	QS-6H-4-100	
	Push-in sleeve Ø 8 mm	For tubing outside diameter of 6 mm	3.8 mm	5.4 mm	10	130622	QS-8H-4
					50	130696	QS-8H-6-50
	Push-in sleeve Ø 10 mm	For tubing outside diameter of 8 mm	6.3 mm	7.5 mm	10	130623	QS-10H-6
					50	130697	QS-10H-8-50
	Push-in sleeve Ø 12 mm	For tubing outside diameter of 6 mm	3.7 mm	5.4 mm	10	132981	QS-12H-6
						130624	QS-12H-8
						153044	QS-12H-10
		For tubing outside diameter of 8 mm	6.3 mm	7.5 mm	20	130698	QS-12H-10-20


Ordering data – Push-in sleeve QSH

	Pneumatic connection, port 1	Pneumatic connection, port 2	Nominal size	Size of pack	Part no.	Type	
	Push-in sleeve Ø 4 mm	Push-in sleeve Ø 4 mm	2.5 mm	10	153251	QSH-4	
				100	130723	QSH-4-100	
	Push-in sleeve Ø 6 mm	Push-in sleeve Ø 6 mm	4 mm	6 mm	10	153252	QSH-6
					100	130724	QSH-6-100
	Push-in sleeve Ø 8 mm	Push-in sleeve Ø 8 mm	6 mm	7.5 mm	10	153253	QSH-8
					50	130725	QSH-8-50
	Push-in sleeve Ø 10 mm	Push-in sleeve Ø 10 mm	7.5 mm	9 mm	10	153254	QSH-10
					50	130726	QSH-10-50
	Push-in sleeve Ø 12 mm	Push-in sleeve Ø 12 mm	9 mm	11 mm	10	153255	QSH-12
					20	130727	QSH-12-20
Push-in sleeve Ø 16 mm	Push-in sleeve Ø 16 mm	11 mm	16 mm	1	153256	QSH-16	

Ordering data


Ordering data – Push-in sleeve QSH, reducing						
	Pneumatic connection, port 1	Pneumatic connection, port 2	Nominal size	Size of pack	Part no.	Type
	Push-in sleeve Ø 6 mm	Push-in sleeve Ø 4 mm	2.3 mm	10	153257	QSH-6-4
				100	130718	QSH-6-4-100
	Push-in sleeve Ø 8 mm	Push-in sleeve Ø 6 mm	3.8 mm	10	130625	QSH-8-4
				50	153258	QSH-8-6
	Push-in sleeve Ø 10 mm	Push-in sleeve Ø 8 mm	4.9 mm	10	130719	QSH-8-6-50
				50	130626	QSH-10-6
	Push-in sleeve Ø 12 mm	Push-in sleeve Ø 10 mm	7.1 mm	10	153259	QSH-10-8
				50	130720	QSH-10-8-50
	Push-in sleeve Ø 16 mm	Push-in sleeve Ø 12 mm	7.8 mm	10	130627	QSH-12-8
				20	153260	QSH-12-10
				20	130721	QSH-12-10-20
				1	153261	QSH-16-12
			20	130722	QSH-16-12-20	

Ordering data – Blanking plug QSC...H				
	Pneumatic connection, port 1	Size of pack	Part no.	Type
	Push-in sleeve Ø 4 mm	10	153267	QSC-4H
		100	130699	QSC-4H-100
	Push-in sleeve Ø 6 mm	10	153268	QSC-6H
		100	130700	QSC-6H-100
	Push-in sleeve Ø 8 mm	10	153269	QSC-8H
		50	130701	QSC-8H-50
	Push-in sleeve Ø 10 mm	10	153270	QSC-10H
		50	130702	QSC-10H-50
	Push-in sleeve Ø 12 mm	10	153271	QSC-12H
		20	130703	QSC-12H-20
Push-in sleeve Ø 16 mm	1	153272	QSC-16H	


Ordering data – Push-in L-fitting QSL, R thread						
	Pneumatic connection, port 1	Pneumatic connection, port 2	Nominal size	Size of pack	Part no.	Type
	Male thread R1/8	For tubing outside diameter of 4 mm	2.8 mm	10	153045	QSL-1/8-4
				100	130728	QSL-1/8-4-100
		For tubing outside diameter of 6 mm	4.2 mm	10	153046	QSL-1/8-6
				100	130729	QSL-1/8-6-100
		For tubing outside diameter of 8 mm	6 mm	10	153048	QSL-1/8-8
				50	130730	QSL-1/8-8-50
		For tubing outside diameter of 10 mm		10	190658	QSL-1/8-10
					190659	QSL-1/4-4
	Male thread R1/4	For tubing outside diameter of 4 mm	2.8 mm		190659	QSL-1/4-4
				100	153047	QSL-1/4-6
		For tubing outside diameter of 6 mm	4.3 mm	100	130731	QSL-1/4-6-100
					153049	QSL-1/4-8
		For tubing outside diameter of 8 mm	6.7 mm	10	153049	QSL-1/4-8
				50	130732	QSL-1/4-8-50
For tubing outside diameter of 10 mm	8 mm	10	153051	QSL-1/4-10		
		50	130733	QSL-1/4-10-50		
For tubing outer diameter of 12 mm		10	164981	QSL-1/4-12		

Ordering data


Ordering data – Push-in L-fitting QSL, R thread


	Pneumatic connection, port 1	Pneumatic connection, port 2	Nominal size	Size of pack	Part no.	Type
	Male thread R1/4	For tubing outer diameter of 12 mm	8 mm	20	130734	QSL-1/4-12-20
	Male thread R3/8	For tubing outside diameter of 6 mm	4.3 mm	10	190660	QSL-3/8-6
				50	153050	QSL-3/8-8
		For tubing outside diameter of 8 mm	6.7 mm	10	130735	QSL-3/8-8-50
				20	153052	QSL-3/8-10
		For tubing outside diameter of 10 mm	8.3 mm	10	130736	QSL-3/8-10-20
				20	153053	QSL-3/8-12
	For tubing outer diameter of 12 mm	10 mm	10	130737	QSL-3/8-12-20	
			20	164958	QSL-3/8-16	
	Male thread R1/2	For tubing outside diameter of 10 mm	8.3 mm	10	190661	QSL-1/2-10
				20	153054	QSL-1/2-12
		For tubing outer diameter of 12 mm	10.3 mm	10	130738	QSL-1/2-12-20
				20	133192	QSL-1/2-10-50
		For tubing outside diameter of 16 mm	8.3 mm	50	153055	QSL-1/2-16
	13 mm			1	130739	QSL-1/2-16-20
			20			

Ordering data – Push-in L-fitting QSL, G thread with sealing ring

	Pneumatic connection, port 1	Pneumatic connection, port 2	Nominal size	Size of pack	Part no.	Type
	Male thread G1/8	For tubing outside diameter of 4 mm	2.8 mm	10	186116	QSL-G1/8-4
				100	132048	QSL-G1/8-4-100
		For tubing outside diameter of 6 mm	4.2 mm	10	186117	QSL-G1/8-6
				100	132049	QSL-G1/8-6-100
		For tubing outside diameter of 8 mm	6 mm	10	186119	QSL-G1/8-8
				50	132050	QSL-G1/8-8-50
	Male thread G1/4	For tubing outside diameter of 6 mm	4.3 mm	10	186118	QSL-G1/4-6
				100	132051	QSL-G1/4-6-100
		For tubing outside diameter of 8 mm	6.7 mm	10	186120	QSL-G1/4-8
				50	132052	QSL-G1/4-8-50
		For tubing outside diameter of 10 mm	8 mm	10	186122	QSL-G1/4-10
				50	132053	QSL-G1/4-10-50
		For tubing outer diameter of 12 mm	10 mm	10	186351	QSL-G1/4-12
				20	132054	QSL-G1/4-12-20
	Male thread G3/8	For tubing outside diameter of 8 mm	6.7 mm	10	186121	QSL-G3/8-8
50				132055	QSL-G3/8-8-50	
For tubing outside diameter of 10 mm		8.3 mm	10	186123	QSL-G3/8-10	
			20	132056	QSL-G3/8-10-20	
For tubing outer diameter of 12 mm		10 mm	10	186124	QSL-G3/8-12	


Ordering data

Ordering data – Push-in L-fitting QSL, G thread with sealing ring						
	Pneumatic connection, port 1	Pneumatic connection, port 2	Nominal size	Size of pack	Part no.	Type
	Male thread G3/8	For tubing outer diameter of 12 mm	10 mm	20	132057	QSL-G3/8-12-20
		For tubing outside diameter of 16 mm	11 mm	1	186348	QSL-G3/8-16
	Male thread G1/2	For tubing outer diameter of 12 mm	10.3 mm	20	186125	QSL-G1/2-12
				20	132058	QSL-G1/2-12-20
		For tubing outside diameter of	13 mm	1	186126	QSL-G1/2-16
				20	132059	QSL-G1/2-16-20


Ordering data – Push-in L-fitting, long QSLL, R thread						
	Pneumatic connection, port 1	Pneumatic connection, port 2	Nominal size	Size of pack	Part no.	Type
	Male thread R1/8	For tubing outside diameter of 4 mm	2.8 mm	10	153076	QSLL-1/8-4
		For tubing outside diameter of 6 mm	4.3 mm		153077	QSLL-1/8-6
		For tubing outside diameter of 8 mm	6 mm		153079	QSLL-1/8-8
	Male thread R1/4	For tubing outside diameter of	4 mm	2.8 mm	190662	QSLL-1/4-4
			6 mm	4.3 mm	153078	QSLL-1/4-6
			8 mm	6.7 mm	153080	QSLL-1/4-8
			10 mm	8 mm	153082	QSLL-1/4-10
	Male thread R3/8	For tubing outside diameter of	6 mm	4.3 mm	190663	QSLL-3/8-6
			8 mm	6.7 mm	153081	QSLL-3/8-8
			10 mm	8.3 mm	153083	QSLL-3/8-10
			12 mm	10 mm	153084	QSLL-3/8-12
	Male thread R1/2	For tubing outside diameter of	10 mm	8.3 mm	190664	QSLL-1/2-10
			12 mm	10.3 mm	153085	QSLL-1/2-12

Ordering data


Ordering data – Push-in L-fitting, long QSLL, G thread with sealing ring


	Pneumatic connection, port 1	Pneumatic connection, port 2	Nominal size	Size of pack	Part no.	Type
	Male thread G1/8	For tubing outside diameter of 4 mm	2.8 mm	10	186127	QSLL-G1/8-4
				100	133015	QSLL-G1/8-4-100
		For tubing outside diameter of 6 mm	4.3 mm	10	186128	QSLL-G1/8-6
				100	133016	QSLL-G1/8-6-100
		For tubing outside diameter of 8 mm	6 mm	10	186130	QSLL-G1/8-8
				100	133017	QSLL-G1/8-8-100
	Male thread G1/4	For tubing outside diameter of 6 mm	4.3 mm	10	186129	QSLL-G1/4-6
		For tubing outside diameter of 8 mm	6.7 mm		186131	QSLL-G1/4-8
		For tubing outside diameter of 10 mm	8 mm		186133	QSLL-G1/4-10
		For tubing outer diameter of 12 mm	10.3 mm		132596	QSLL-G1/4-12
	Male thread G3/8	For tubing outside diameter of 8 mm	6.7 mm	186132	QSLL-G3/8-8	
		For tubing outside diameter of 10 mm	8.3 mm	186134	QSLL-G3/8-10	
		For tubing outer diameter of 12 mm	10 mm	186135	QSLL-G3/8-12	
	Male thread G1/2	For tubing outside diameter of 12 mm	10.3 mm	186136	QSLL-G1/2-12	
		For tubing outside diameter of 16 mm	13 mm	190665	QSLL-G1/2-16	

Ordering data – Push-in L-fitting QSLF, G thread

	Pneumatic connection, port 1	Pneumatic connection, port 2	Nominal size	Size of pack	Part no.	Type
	Female thread G1/8	For tubing outside diameter of 4 mm	2.8 mm	10	153273	QSLF-1/8-4-B
		For tubing outside diameter of 6 mm	4.2 mm		153274	QSLF-1/8-6-B
		For tubing outside diameter of 8 mm	6 mm		153276	QSLF-1/8-8-B
	Female thread G1/4	For tubing outside diameter of 6 mm	4.3 mm	153275	QSLF-1/4-6-B	
		For tubing outside diameter of 8 mm	6.7 mm	153277	QSLF-1/4-8-B	
		For tubing outside diameter of 10 mm	8 mm	153279	QSLF-1/4-10-B	
	Female thread G3/8	For tubing outside diameter of 8 mm	6.7 mm	153278	QSLF-3/8-8-B	
		For tubing outside diameter of 10 mm	8.3 mm	153280	QSLF-3/8-10-B	


Ordering data

Ordering data - Push-in L-fitting QSLV-...-I, R thread						
	Pneumatic connection, port 1	Pneumatic connection, port 2	Nominal size	Size of pack	Part no.	Type
	Male thread R1/8	For tubing outside diameter of 6 mm	3 mm	10	153097	QSLV-1/8-6-I
		For tubing outside diameter of 8 mm	4.2 mm		153099	QSLV-1/8-8-I
	Male thread R1/4	For tubing outside diameter of 6 mm	3.1 mm		153098	QSLV-1/4-6-I
		For tubing outside diameter of 8 mm	4 mm		153100	QSLV-1/4-8-I
		For tubing outside diameter of 10 mm	5.4 mm		153102	QSLV-1/4-10-I
	Male thread R3/8	For tubing outside diameter of 8 mm	4.2 mm		153101	QSLV-3/8-8-I
		For tubing outside diameter of 10 mm	5.4 mm		153103	QSLV-3/8-10-I
		For tubing outer diameter of 12 mm	6.9 mm		153104	QSLV-3/8-12-I
	Male thread R1/2		6.4 mm		153105	QSLV-1/2-12-I


Ordering data - Push-in L-fitting QSLV-...-I, G thread						
	Pneumatic connection, port 1	Pneumatic connection, port 2	Nominal size	Size of pack	Part no.	Type
	Male thread G1/8	For tubing outside diameter of 6 mm	3 mm	10	186148	QSLV-G1/8-6-I
		For tubing outside diameter of 8 mm	4.2 mm		186150	QSLV-G1/8-8-I
	Male thread G1/4	For tubing outside diameter of 6 mm	3.1 mm		186149	QSLV-G1/4-6-I
		For tubing outside diameter of 8 mm	4 mm		186151	QSLV-G1/4-8-I
		For tubing outside diameter of 10 mm	5.4 mm		186153	QSLV-G1/4-10-I
	Male thread G3/8	For tubing outside diameter of 8 mm	4.2 mm		186152	QSLV-G3/8-8-I
		For tubing outside diameter of 10 mm	5.4 mm		186154	QSLV-G3/8-10-I
		For tubing outer diameter of 12 mm	6.9 mm		186155	QSLV-G3/8-12-I
	Male thread G1/2		6.4 mm		186156	QSLV-G1/2-12-I

Ordering data


Ordering data – Push-in L-fitting QSLV, metric thread with sealing ring

	Pneumatic connection, port 1	Pneumatic connection, port 2	Nominal size	Size of pack	Part no.	Type
	Male thread M5	For tubing outside diameter of 6 mm	1.8 mm	10	190666	QSLV-M5-6


Ordering data – Push-in L-fitting QSLV, R thread

	Pneumatic connection, port 1	Pneumatic connection, port 2	Nominal size	Size of pack	Part no.	Type
	Male thread R1/8	For tubing outside diameter of 4 mm	2.4 mm	100	130749	QSLV-1/8-4-100
			2.8 mm	10	153086	QSLV-1/8-4
		For tubing outside diameter of 6 mm	3.7 mm	100	130750	QSLV-1/8-6-100
			4.6 mm	10	153087	QSLV-1/8-6
		For tubing outside diameter of 6 mm	4.4 mm	50	130751	QSLV-1/8-8-50
			5.5 mm	10	153089	QSLV-1/8-8
	Male thread R1/4	For tubing outside diameter of 6 mm	3.8 mm	100	130752	QSLV-1/4-6-100
			4.3 mm	10	153088	QSLV-1/4-6
		For tubing outside diameter of 8 mm	5 mm	50	130753	QSLV-1/4-8-50
			6 mm	10	153090	QSLV-1/4-8
		For tubing outside diameter of 10 mm	5.4 mm	50	130754	QSLV-1/4-10-50
			7.1 mm	10	153092	QSLV-1/4-10
	Male thread R3/8	For tubing outside diameter of 8 mm	6 mm		153091	QSLV-3/8-8
			8 mm		153093	QSLV-3/8-10
		For tubing outer diameter of 10 mm	9.3 mm		153094	QSLV-3/8-12
	Male thread R1/2	For tubing outside diameter of 12 mm	10 mm		153095	QSLV-1/2-12
For tubing outside diameter of 16 mm			13 mm		153096	QSLV-1/2-16


Ordering data – Push-in L-fitting QSLV, G thread with sealing ring

	Pneumatic connection, port 1	Pneumatic connection, port 2	Nominal size	Size of pack	Part no.	Type
	Male thread G1/8	For tubing outside diameter of 4 mm	3 mm	10	186137	QSLV-G1/8-4
				100	132060	QSLV-G1/8-4-100
		For tubing outside diameter of 6 mm	4 mm	10	186138	QSLV-G1/8-6
				100	132061	QSLV-G1/8-6-100
		For tubing outside diameter of 6 mm	5.6 mm	10	186140	QSLV-G1/8-8
				50	132062	QSLV-G1/8-8-50
	Male thread G1/4	For tubing outside diameter of 6 mm	5 mm	10	186139	QSLV-G1/4-6
				100	132063	QSLV-G1/4-6-100
	For tubing outside diameter of 8 mm	6 mm	10	186141	QSLV-G1/4-8	

Ordering data


Ordering data – Push-in L-fitting QSLV, G thread with sealing ring						
	Pneumatic connection, port 1	Pneumatic connection, port 2	Nominal size	Size of pack	Part no.	Type
	Male thread G1/4	For tubing outside diameter of 8 mm	6 mm	50	132064	QSLV-G1/4-8-50
		For tubing outside diameter of 10 mm	7 mm	10	186143	QSLV-G1/4-10
			8 mm	50	132065	QSLV-G1/4-10-50
	Male thread G3/8	For tubing outside diameter of 8 mm	6 mm	10	186142	QSLV-G3/8-8
		For tubing outside diameter of 10 mm	8 mm		186144	QSLV-G3/8-10
			8.7 mm		186145	QSLV-G3/8-12
	Male thread G1/2	For tubing outer diameter of 12 mm	13 mm		186146	QSLV-G1/2-12
		For tubing outside diameter of 16 mm			186147	QSLV-G1/2-16

Ordering data – Push-in L-connector QSL						
	Pneumatic connection, port 1	Pneumatic connection, port 2	Nominal size	Size of pack	Part no.	Type
	For tubing outer diameter of 4 mm	For tubing outside diameter of 4 mm	2.8 mm	10	153070	QSL-4
				100	130740	QSL-4-100
	For tubing outside diameter of 6 mm	For tubing outside diameter of 6 mm	5 mm	10	153071	QSL-6
				100	130741	QSL-6-100
	For tubing outer diameter of 8 mm	For tubing outside diameter of 8 mm	7.2 mm	10	153072	QSL-8
				50	130742	QSL-8-50
	For tubing outer diameter of 10 mm	For tubing outside diameter of 10 mm	8.3 mm	10	153073	QSL-10
				50	130743	QSL-10-50
	For tubing outer diameter of 12 mm	For tubing outer diameter of 12 mm	10 mm	10	153074	QSL-12
				20	130744	QSL-12-20
	For tubing outer diameter of 16 mm	For tubing outside diameter of 16 mm	13 mm	1	153075	QSL-16
				20	133194	QSL-16-20


Ordering data – Push-in L-connector QSL...H with push-in sleeve						
	Pneumatic connection, port 1	Pneumatic connection, port 2	Nominal size	Size of pack	Part no.	Type
	Push-in sleeve Ø 4 mm	For tubing outside diameter of 4 mm	2 mm	10	153056	QSL-4H
				100	130745	QSL-4H-100
	Push-in sleeve Ø 6 mm	For tubing outside diameter of 6 mm	3.2 mm	10	153057	QSL-6H
				100	130746	QSL-6H-100
	Push-in sleeve Ø 8 mm	For tubing outside diameter of 8 mm	4.7 mm	10	153058	QSL-8H
				50	130747	QSL-8H-50
	Push-in sleeve Ø 10 mm	For tubing outside diameter of 10 mm	5.7 mm	10	153059	QSL-10H
				50	130748	QSL-10H-50
	Push-in sleeve Ø 12 mm	For tubing outer diameter of 12 mm	6.8 mm	10	153060	QSL-12H

Ordering data


Ordering data – Push-in L-connector QSL...H with push-in sleeve, reducing

	Pneumatic connection, port 1	Pneumatic connection, port 2	Nominal size	Size of pack	Part no.	Type
	Push-in sleeve Ø 6 mm	For tubing outside diameter of 4 mm	2.4 mm	10	153061	QSL-6H-4
	Push-in sleeve Ø 8 mm	For tubing outside diameter of 6 mm	3.5 mm		153062	QSL-8H-6
	Push-in sleeve Ø 10 mm	For tubing outside diameter of 8 mm	4.9 mm		153063	QSL-10H-8
	Push-in sleeve Ø 12 mm	For tubing outside diameter of 10 mm	6.1 mm		153064	QSL-12H-10


Ordering data – Push-in L-connector QSL...H with long push-in sleeve


	Pneumatic connection, port 1	Pneumatic connection, port 2	Nominal size	Size of pack	Part no.	Type
	Push-in sleeve Ø 4 mm	For tubing outside diameter of 4 mm	2 mm	10	153065	QSL-4HL
	Push-in sleeve Ø 6 mm	For tubing outside diameter of 6 mm	3.1 mm		153066	QSL-6HL
	Push-in sleeve Ø 8 mm	For tubing outside diameter of 8 mm	4.5 mm		153067	QSL-8HL
	Push-in sleeve Ø 10 mm	For tubing outside diameter of 10 mm	5.6 mm		153068	QSL-10HL
	Push-in sleeve Ø 12 mm	For tubing outer diameter of 12 mm	6.7 mm		153069	QSL-12HL

Ordering data – Push-in T-fitting QST, R thread

	Pneumatic connection, port 1	Pneumatic connection, port 2	Nominal size	Size of pack	Part no.	Type
	Male thread R1/8	For tubing outside diameter of 4 mm	2.8 mm	10	153106	QST-1/8-4
				100	130793	QST-1/8-4-100
		For tubing outside diameter of 6 mm	4.2 mm	10	153107	QST-1/8-6
				100	130794	QST-1/8-6-100
	For tubing outside diameter of 8 mm	6 mm	10	10	153109	QST-1/8-8
				50	130795	QST-1/8-8-50
	For tubing outside diameter of 10 mm	6 mm	10	10	190667	QST-1/8-10
				100	190668	QST-1/4-4
	Male thread R1/4	For tubing outside diameter of 4 mm	2.8 mm	100	153108	QST-1/4-6
					130796	QST-1/4-6-100
For tubing outside diameter of 6 mm		4.3 mm	10	153110	QST-1/4-8	
				130797	QST-1/4-8-50	
For tubing outside diameter of 8 mm	6.7 mm	10	153112	QST-1/4-10		
			10			


Ordering data

Ordering data – Push-in T-fitting QST, R thread						
	Pneumatic connection, port 1	Pneumatic connection, port 2	Nominal size	Size of pack	Part no.	Type
	Male thread R1/4	For tubing outside diameter of 10 mm	8 mm	50	130798	QST-1/4-10-50
		For tubing outer diameter of 12 mm		10	190669	QST-1/4-12
	Male thread R3/8	For tubing outside diameter of 6 mm	4.3 mm	50	190670	QST-3/8-6
		For tubing outside diameter of 8 mm			153111	QST-3/8-8
		For tubing outside diameter of 10 mm	8.3 mm	10	130799	QST-3/8-8-50
		For tubing outer diameter of 12 mm		20	153113	QST-3/8-10
		For tubing outer diameter of 12 mm	10 mm	10	153114	QST-3/8-12
		For tubing outside diameter of 16 mm		20	130801	QST-3/8-12-20
	Male thread R1/2	For tubing outside diameter of 10 mm	8.3 mm	1	164959	QST-3/8-16
		For tubing outer diameter of 12 mm			190672	QST-1/2-10
		For tubing outside diameter of 16 mm	10.3 mm	153115	QST-1/2-12	
			13 mm		153116	QST-1/2-16


Ordering data – Push-in T-fitting QST, G thread with sealing ring						
	Pneumatic connection, port 1	Pneumatic connection, port 2	Nominal size	Size of pack	Part no.	Type
	Male thread G1/8	For tubing outside diameter of 4 mm	2.8 mm	10	186157	QST-G1/8-4
				100	132066	QST-G1/8-4-100
		For tubing outside diameter of 6 mm	4.2 mm	10	186158	QST-G1/8-6
				100	132067	QST-G1/8-6-100
		For tubing outside diameter of	6 mm	10	186160	QST-G1/8-8
				50	132068	QST-G1/8-8-50
	Male thread G1/4	For tubing outside diameter of 6 mm	4.3 mm	100	186159	QST-G1/4-6
		For tubing outside diameter of 8 mm			10	186161
			6.7 mm	50	132070	QST-G1/4-8-50
		For tubing outside diameter of 10 mm		8 mm	10	186163
	For tubing outer diameter of 12 mm		50		132071	QST-G1/4-10-50
	Male thread G3/8	For tubing outside diameter of 8 mm	6.7 mm	1	132597	QST-G1/4-12
					186162	QST-G3/8-8

Ordering data


Ordering data – Push-in T-fitting QST, G thread with sealing ring

	Pneumatic connection, port 1	Pneumatic connection, port 2	Nominal size	Size of pack	Part no.	Type
	Male thread G3/8	For tubing outside diameter of 8 mm	6.7 mm	50	132072	QST-G3/8-8-50
		For tubing outside diameter of 10 mm	8.3 mm	10	186164	QST-G3/8-10
			20	132073	QST-G3/8-10-20	
		For tubing outer diameter of 12 mm	10 mm	10	186165	QST-G3/8-12
	20		132074	QST-G3/8-12-20		
	Male thread G1/2	For tubing outside diameter of 16 mm	11 mm	1	186349	QST-G3/8-16
			10.3 mm	186166	QST-G1/2-12	
For tubing outside diameter of 16 mm		13 mm	186167	QST-G1/2-16		


Ordering data – Push-in T-connector QST


	Pneumatic connection, port 1	Pneumatic connection, port 2	Nominal size	Size of pack	Part no.	Type
	For tubing outer diameter of 4 mm	For tubing outside diameter of 4 mm	2.8 mm	10	153128	QST-4
				100	130802	QST-4-100
	For tubing outside diameter of 6 mm	For tubing outside diameter of 6 mm	4.8 mm	10	153129	QST-6
				100	130803	QST-6-100
	For tubing outer diameter of 8 mm	For tubing outside diameter of 8 mm	6.2 mm	10	153130	QST-8
				50	130804	QST-8-50
	For tubing outer diameter of 10 mm	For tubing outside diameter of 10 mm	8.1 mm	10	153131	QST-10
				50	130805	QST-10-50
	For tubing outer diameter of 12 mm	For tubing outer diameter of 12 mm	10 mm	10	153132	QST-12
				20	130806	QST-12-20
For tubing outer diameter of 16 mm	For tubing outside diameter of 16 mm	13 mm	1	153133	QST-16	

Ordering data – Push-in T-connector QST, reducing

	Pneumatic connection, port 1	Pneumatic connection, port 2	Nominal size	Size of pack	Part no.	Type
	For tubing outside diameter of 6 mm	For tubing outside diameter of 4 mm	2.3 mm	10	153134	QST-6-4
				100	130820	QST-6-4-100
	For tubing outer diameter of 8 mm	For tubing outside diameter of 6 mm	3.5 mm	10	130613	QST-8-4
				50	153135	QST-8-6
	For tubing outer diameter of 10 mm	For tubing outside diameter of 6 mm	3.7 mm	10	130821	QST-8-6-50
				50	130614	QST-10-6
	For tubing outer diameter of 12 mm	For tubing outside diameter of 8 mm	4.9 mm	10	153136	QST-10-8
				50	130822	QST-10-8-50
	For tubing outer diameter of 12 mm	For tubing outside diameter of 8 mm	5.1 mm	10	130615	QST-12-8


Ordering data

Ordering data – Push-in T-connector QST, reducing						
	Pneumatic connection, port 1	Pneumatic connection, port 2	Nominal size	Size of pack	Part no.	Type
	For tubing outer diameter of 12 mm	For tubing outside diameter of 10 mm	6.1 mm	10	153137	QST-12-10
				20	130823	QST-12-10-20
	For tubing outer diameter of 16 mm	For tubing outer diameter of 12 mm	7.6 mm	1	130616	QST-16-12


Ordering data – Push-in T-fitting QSTF, R thread						
	Pneumatic connection, port 1	Pneumatic connection, port 2	Nominal size	Size of pack	Part no.	Type
	Male thread R1/8	Female thread G1/8, For tubing outside diameter of 4 mm	2.8 mm	1	153182	QSTF-1/8-4-B
		Female thread G1/8, For tubing outside diameter of 6 mm	4.6 mm		153183	QSTF-1/8-6-B
		Female thread G1/8, For tubing outside diameter of 8 mm	5.5 mm		153185	QSTF-1/8-8-B
	Male thread R1/4	Female thread G1/4, For tubing outside diameter of 6 mm	4.3 mm	1	153184	QSTF-1/4-6-B
		Female thread G1/4, For tubing outside diameter of 8 mm	6 mm		153186	QSTF-1/4-8-B
		Female thread G1/4, For tubing outside diameter of 10 mm	7.1 mm		153188	QSTF-1/4-10-B
	Male thread R3/8	Female thread G3/8, For tubing outside diameter of 8 mm	6 mm	1	153187	QSTF-3/8-8-B
		Female thread G3/8, For tubing outside diameter of 10 mm	8 mm		153189	QSTF-3/8-10-B
		Female thread G3/8, For tubing outer diameter of 12 mm	9.3 mm		153190	QSTF-3/8-12-B
	Male thread R1/2	Female thread G1/2, For tubing outer diameter of 12 mm	10 mm	1	153191	QSTF-1/2-12-B

Ordering data


Ordering data – Push-in T-fitting QSTF, G thread with sealing ring


	Pneumatic connection, port 1	Pneumatic connection, port 2	Nominal size	Size of pack	Part no.	Type
	Male thread G1/8	Female thread G1/8, For tubing outside diameter of 4 mm	3 mm	1	186199	QSTF-G1/8-4
		Female thread G1/8, For tubing outside diameter of 6 mm	4 mm		186200	QSTF-G1/8-6
		Female thread 1/8 NPT, For tubing outside diameter of 8 mm	5.6 mm		186202	QSTF-G1/8-8
	Male thread G1/4	Female thread G1/4, For tubing outside diameter of 6 mm	5 mm		186201	QSTF-G1/4-6
		Female thread G1/4, For tubing outside diameter of 8 mm	6 mm		186203	QSTF-G1/4-8
		Female thread G1/4, For tubing outside diameter of 10 mm	7 mm		186205	QSTF-G1/4-10
	Male thread G3/8	Female thread G3/8, For tubing outside diameter of 8 mm	6 mm		186204	QSTF-G3/8-8
		Female thread G3/8, For tubing outside diameter of 10 mm	8 mm		186206	QSTF-G3/8-10
		Female thread G3/8, For tubing outer diameter of 12 mm	8.7 mm		186207	QSTF-G3/8-12
	Male thread G1/2	Female thread G1/2, For tubing outer diameter of 12 mm		186208	QSTF-G1/2-12	

Ordering data – Push-in T-fitting QSTL, R thread

	Pneumatic connection, port 1	Pneumatic connection, port 2	Nominal size	Size of pack	Part no.	Type	
	Male thread R1/8	For tubing outside diameter of 4 mm	2.8 mm	10	153117	QSTL-1/8-4	
				100	130824	QSTL-1/8-4-100	
		For tubing outside diameter of 6 mm	4.3 mm	10	153118	QSTL-1/8-6	
				100	130825	QSTL-1/8-6-100	
		For tubing outside diameter of 6 mm	6 mm	10	50	130826	QSTL-1/8-8-50
					10	153120	QSTL-1/8-8
	Male thread R1/4	For tubing outside diameter of 6 mm	4.3 mm	10	153119	QSTL-1/4-6	
100				130827	QSTL-1/4-6-100		
	For tubing outside diameter of 8 mm	6.7 mm	10	153121	QSTL-1/4-8		


Ordering data

Ordering data – Push-in T-fitting QSTL, R thread						
	Pneumatic connection, port 1	Pneumatic connection, port 2	Nominal size	Size of pack	Part no.	Type
	Male thread R1/4	For tubing outside diameter of 8 mm	6.7 mm	50	130828	QSTL-1/4-8-50
		For tubing outside diameter of 10 mm	8 mm	10	153123	QSTL-1/4-10
				50	130829	QSTL-1/4-10-50
	Male thread R3/8	For tubing outside diameter of 8 mm	6.7 mm	10	153122	QSTL-3/8-8
		For tubing outside diameter of 10 mm	8.3 mm		153124	QSTL-3/8-10
		For tubing outer diameter of 12 mm	10 mm		153125	QSTL-3/8-12
	Male thread R1/2	For tubing outer diameter of 12 mm	10.3 mm		153126	QSTL-1/2-12
		For tubing outside diameter of 16 mm	13 mm		153127	QSTL-1/2-16


Ordering data – Push-in T-fitting QSTL, G thread with sealing ring						
	Pneumatic connection, port 1	Pneumatic connection, port 2	Nominal size	Size of pack	Part no.	Type
	Male thread G1/8	For tubing outside diameter of 4 mm	2.8 mm	10	186168	QSTL-G1/8-4
			100	132075	QSTL-G1/8-4-100	
		For tubing outside diameter of 6 mm	4.3 mm	10	186169	QSTL-G1/8-6
			6 mm	100	132076	QSTL-G1/8-6-100
		For tubing outside diameter of	6 mm	10	186171	QSTL-G1/8-8
				50	132077	QSTL-G1/8-8-50
	Male thread G1/4		For tubing outside diameter of 6 mm	4.3 mm	10	186170
		For tubing outside diameter of 8 mm	6.7 mm	10	186172	QSTL-G1/4-8
			50	132079	QSTL-G1/4-8-50	
	For tubing outside diameter of 10 mm	8 mm	10	186174	QSTL-G1/4-10	
			50	132080	QSTL-G1/4-10-50	
		Male thread G3/8	For tubing outside diameter of 8 mm	6.7 mm	10	186173
	For tubing outside diameter of 10 mm		8.3 mm	186175		QSTL-G3/8-10
	For tubing outer diameter of 12 mm		10 mm	186176		QSTL-G3/8-12
	Male thread G1/2	For tubing outer diameter of 12 mm	10.3 mm		186177	QSTL-G1/2-12
For tubing outside diameter of 16 mm		13 mm		186178	QSTL-G1/2-16	

Ordering data


Ordering data – Push-in fitting QSW, R thread

	Pneumatic connection, port 1	Pneumatic connection, port 2	Nominal size	Size of pack	Part no.	Type
	Male thread R1/8	For tubing outside diameter of 4 mm	2.5 mm	10	130596	QSW-1/8-4
		For tubing outside diameter of 6 mm	3.3 mm		130597	QSW-1/8-6
		For tubing outside diameter of 8 mm	6 mm		130598	QSW-1/8-8
	Male thread R1/4	For tubing outside diameter of 6 mm	3.3 mm		130599	QSW-1/4-6
		For tubing outside diameter of 8 mm	6.7 mm		130600	QSW-1/4-8
		For tubing outside diameter of 10 mm	8 mm		130601	QSW-1/4-10
	Male thread R3/8	For tubing outside diameter of 10 mm	8.3 mm		130602	QSW-3/8-10
		For tubing outside diameter of 12 mm	9.5 mm		130603	QSW-3/8-12
	Male thread R1/2	For tubing outside diameter of 12 mm	10.3 mm		130604	QSW-1/2-12
		For tubing outside diameter of 16 mm	13 mm		130605	QSW-1/2-16


Ordering data – Push-in connector QSW-...HL with push-in sleeve


	Pneumatic connection, port 1	Pneumatic connection, port 2	Nominal size	Size of pack	Part no.	Type
	Push-in sleeve Ø 4 mm	For tubing outside diameter of 4 mm	2 mm	10	130617	QSW-4HL
	Push-in sleeve Ø 6 mm	For tubing outside diameter of 6 mm	2.7 mm		130618	QSW-6HL
	Push-in sleeve Ø 8 mm	For tubing outside diameter of 8 mm	5 mm		130619	QSW-8HL
	Push-in sleeve Ø 10 mm	For tubing outside diameter of 10 mm	6.3 mm		130620	QSW-10HL
	Push-in sleeve Ø 12 mm	For tubing outside diameter of 12 mm	6.9 mm		130621	QSW-12HL


Ordering data – Push-in X-connector QSX

	Pneumatic connection, port 1	Pneumatic connection, port 2	Nominal size	Size of pack	Part no.	Type
	For tubing outer diameter of 8 mm	For tubing outside diameter of 8 mm	4.7 mm	10	153285	QSX-8
	For tubing outer diameter of 10 mm	For tubing outside diameter of 10 mm	6.1 mm		153286	QSX-10
	For tubing outer diameter of 12 mm	For tubing outside diameter of 12 mm	7.5 mm		153287	QSX-12

Ordering data


Ordering data – Push-in Y-fitting QSY, metric thread with sealing ring						
	Pneumatic connection, port 1	Pneumatic connection, port 2	Nominal size	Size of pack	Part no.	Type
	Male thread M5	For tubing outside diameter of 4 mm	2.4 mm	10	190673	QSY-M5-4
		For tubing outside diameter of 6 mm			190674	QSY-M5-6

Ordering data – Push-in Y-fitting QSY, R thread						
	Pneumatic connection, port 1	Pneumatic connection, port 2	Nominal size	Size of pack	Part no.	Type
	Male thread R1/8	For tubing outside diameter of 4 mm	3.1 mm	10	153138	QSY-1/8-4
		For tubing outside diameter of 6 mm	4.2 mm		153139	QSY-1/8-6
		For tubing outside diameter of 8 mm	5.9 mm		153141	QSY-1/8-8
	Male thread R1/4	For tubing outside diameter of 4 mm	3.3 mm	10	190675	QSY-1/4-4
		For tubing outside diameter of 6 mm	4.8 mm		153140	QSY-1/4-6
		For tubing outside diameter of 8 mm	6.2 mm		153142	QSY-1/4-8
		For tubing outside diameter of 10 mm	7.2 mm		153144	QSY-1/4-10
	Male thread R3/8	For tubing outside diameter of 8 mm	6.6 mm	10	153143	QSY-3/8-8
		For tubing outside diameter of 10 mm	7.4 mm		153145	QSY-3/8-10
		For tubing outer diameter of 12 mm	8.4 mm		153146	QSY-3/8-12
	Male thread R1/2	For tubing outside diameter of 10 mm	7.8 mm	10	133196	QSY-1/2-10
		For tubing outer diameter of 12 mm	8.3 mm		153147	QSY-1/2-12


Ordering data – Push-in Y-fitting QSY, G thread with sealing ring						
	Pneumatic connection, port 1	Pneumatic connection, port 2	Nominal size	Size of pack	Part no.	Type
	Male thread G1/8	For tubing outside diameter of 4 mm	3.1 mm	10	186179	QSY-G1/8-4
		For tubing outside diameter of 6 mm	4.2 mm		186180	QSY-G1/8-6
		For tubing outside diameter of 8 mm	5.9 mm		186182	QSY-G1/8-8

Ordering data


Ordering data – Push-in Y-fitting QSY, G thread with sealing ring

	Pneumatic connection, port 1	Pneumatic connection, port 2	Nominal size	Size of pack	Part no.	Type
	Male thread G1/4	For tubing outside diameter of 6 mm	4.8 mm	10	186181	QSY-G1/4-6
		For tubing outside diameter of 8 mm	6.2 mm		186183	QSY-G1/4-8
		For tubing outside diameter of 10 mm	7.2 mm		186185	QSY-G1/4-10
	Male thread G3/8	For tubing outside diameter of 8 mm	6.6 mm		186184	QSY-G3/8-8
		For tubing outside diameter of 10 mm	7.4 mm		186186	QSY-G3/8-10
		For tubing outer diameter of 12 mm	8.4 mm		186187	QSY-G3/8-12
	Male thread G1/2		8.3 mm		186188	QSY-G1/2-12


Ordering data – Y-connector QSY


	Pneumatic connection, port 1	Pneumatic connection, port 2	Nominal size	Size of pack	Part no.	Type
	For tubing outer diameter of 4 mm	For tubing outside diameter of 4 mm	2.6 mm	10	153148	QSY-4
				100	130807	QSY-4-100
	For tubing outside diameter of 6 mm	For tubing outside diameter of 6 mm	4.3 mm	10	153149	QSY-6
				100	130808	QSY-6-100
	For tubing outer diameter of 8 mm	For tubing outside diameter of 8 mm	5.7 mm	10	153150	QSY-8
				50	130809	QSY-8-50
	For tubing outer diameter of 10 mm	For tubing outside diameter of 10 mm	6.7 mm	10	153151	QSY-10
				20	130810	QSY-10-20
	For tubing outer diameter of 12 mm	For tubing outer diameter of 12 mm	8 mm	10	153152	QSY-12
				20	130811	QSY-12-20
	For tubing outer diameter of 16 mm	For tubing outside diameter of 16 mm	12.7 mm	1	130609	QSY-16


Ordering data – Y-connector QSY, reducing


	Pneumatic connection, port 1	Pneumatic connection, port 2	Nominal size	Size of pack	Part no.	Type
	For tubing outside diameter of 6 mm	For tubing outside diameter of 4 mm	2.3 mm	10	153153	QSY-6-4
				100	130812	QSY-6-4-100
	For tubing outer diameter of 8 mm	For tubing outside diameter of 6 mm	3.2 mm	10	130610	QSY-8-4
				50	153154	QSY-8-6
	For tubing outer diameter of 10 mm	For tubing outside diameter of 6 mm	3.3 mm	10	130611	QSY-10-6
				20	153155	QSY-10-8
	For tubing outer diameter of 12 mm	For tubing outside diameter of 8 mm	4.5 mm	10	130814	QSY-10-8-20
				10	130612	QSY-12-8

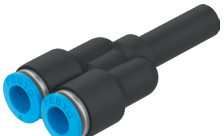
Ordering data

Ordering data – Y-connector QSY, reducing						
	Pneumatic connection, port 1	Pneumatic connection, port 2	Nominal size	Size of pack	Part no.	Type
	For tubing outer diameter of 12 mm	For tubing outside diameter of 10 mm	5.8 mm	10	153156	QSY-12-10
				20	130815	QSY-12-10-20
	For tubing outer diameter of 16 mm	For tubing outer diameter of 12 mm	7 mm	1	190708	QSY-16-12

Ordering data – Push-in Y-connector QSY...H with push-in sleeve						
	Pneumatic connection, port 1	Pneumatic connection, port 2	Nominal size	Size of pack	Part no.	Type
	Push-in sleeve Ø 4 mm	For tubing outside diameter of 4 mm	1.6 mm	10	130628	QSY-4H


Ordering data – Push-in Y-connector QSY...H with push-in sleeve, reducing						
	Pneumatic connection, port 1	Pneumatic connection, port 2	Nominal size	Size of pack	Part no.	Type
	Push-in sleeve Ø 6 mm	For tubing outside diameter of 4 mm	2.3 mm	10	130633	QSY-6H-4

Ordering data – Push-in Y-connector QSY...H-B with push-in sleeve						
	Pneumatic connection, port 1	Pneumatic connection, port 2	Nominal size	Size of pack	Part no.	Type
	Push-in sleeve Ø 6 mm	For tubing outside diameter of 6 mm	3.1 mm	10	133145	QSY-6H-B
	Push-in sleeve Ø 8 mm	For tubing outside diameter of 8 mm	4.6 mm		133146	QSY-8H-B
	Push-in sleeve Ø 10 mm	For tubing outside diameter of 10 mm	5.9 mm		133148	QSY-10H-B
	Push-in sleeve Ø 12 mm	For tubing outer diameter of 12 mm	7.3 mm		133150	QSY-12H-B


Ordering data – Push-in Y-binding QSY...H-B with push-in sleeve, reducing						
	Pneumatic connection, port 1	Pneumatic connection, port 2	Nominal size	Size of pack	Part no.	Type
	Push-in sleeve Ø 8 mm	For tubing outside diameter of 6 mm	3.6 mm	10	133147	QSY-8H-6-B
	Push-in sleeve Ø 10 mm	For tubing outside diameter of 8 mm	4.6 mm		133149	QSY-10H-8-B
	Push-in sleeve Ø 12 mm	For tubing outside diameter of 10 mm	5.9 mm		133151	QSY-12H-10-B

Ordering data


Ordering data – Push-in Y-fitting QSYL, R thread


	Pneumatic connection, port 1	Pneumatic connection, port 2	Nominal size	Size of pack	Part no.	Type
	Male thread R1/8	For tubing outside diameter of 4 mm	3.9 mm	1	153172	QSYL-1/8-4
		For tubing outside diameter of 6 mm	4.2 mm		153173	QSYL-1/8-6
		For tubing outside diameter of 8 mm	5.7 mm		153175	QSYL-1/8-8
	Male thread R1/4	For tubing outside diameter of 6 mm	5.3 mm		153174	QSYL-1/4-6
		For tubing outside diameter of 8 mm	7.3 mm		153176	QSYL-1/4-8
		For tubing outside diameter of 10 mm	8 mm		153178	QSYL-1/4-10
	Male thread R3/8	For tubing outside diameter of 8 mm	7.3 mm		153177	QSYL-3/8-8
		For tubing outside diameter of 10 mm	9.2 mm		153179	QSYL-3/8-10
		For tubing outer diameter of 12 mm	9.7 mm		153180	QSYL-3/8-12
	Male thread R1/2		10.6 mm		153181	QSYL-1/2-12

Ordering data – Push-in Y-fitting QSYL, G thread with sealing ring


	Pneumatic connection, port 1	Pneumatic connection, port 2	Nominal size	Size of pack	Part no.	Type
	Male thread G1/8	For tubing outside diameter of 4 mm	3.9 mm	1	186189	QSYL-G1/8-4
		For tubing outside diameter of 6 mm	4.2 mm		186190	QSYL-G1/8-6
		For tubing outside diameter of 8 mm	5.7 mm		186192	QSYL-G1/8-8
	Male thread G1/4	For tubing outside diameter of 6 mm	5.3 mm		186191	QSYL-G1/4-6
		For tubing outside diameter of 8 mm	7.3 mm		186193	QSYL-G1/4-8
		For tubing outside diameter of 10 mm	8 mm		186195	QSYL-G1/4-10
	Male thread G3/8	For tubing outside diameter of 8 mm	7.3 mm		186194	QSYL-G3/8-8
		For tubing outside diameter of 10 mm	9.2 mm		186196	QSYL-G3/8-10
		For tubing outer diameter of 12 mm	9.7 mm		186197	QSYL-G3/8-12
	Male thread G1/2		10.6 mm		186198	QSYL-G1/2-12

Ordering data

Ordering data – Push-in Y-fitting QSYLV, R thread						
	Pneumatic connection, port 1	Pneumatic connection, port 2	Nominal size	Size of pack	Part no.	Type
	Male thread R1/8	For tubing outside diameter of 6 mm	4.2 mm	1	153192	QSYLV-1/8-6
	Male thread R1/4	For tubing outside diameter of 8 mm	6 mm		153193	QSYLV-1/4-8
	Male thread R3/8	For tubing outside diameter of 10 mm	8 mm		153194	QSYLV-3/8-10
	Male thread R1/2	For tubing outer diameter of 12 mm	10 mm		153195	QSYLV-1/2-12

Ordering data – Push-in Y-fitting QSYLV, G thread with sealing ring						
	Pneumatic connection, port 1	Pneumatic connection, port 2	Nominal size	Size of pack	Part no.	Type
	Male thread G1/8	For tubing outside diameter of 6 mm	3.5 mm	1	186209	QSYLV-G1/8-6
	Male thread G1/4	For tubing outside diameter of 8 mm	4.7 mm		186210	QSYLV-G1/4-8
	Male thread G3/8	For tubing outside diameter of 10 mm	5.2 mm		186211	QSYLV-G3/8-10
	Male thread G1/2	For tubing outer diameter of 12 mm	7 mm		186212	QSYLV-G1/2-12

Accessories

Release tool QS0					
	Short type code	Size	Product weight	Part no.	Type
	QS0	For tubing O.D. 4 mm For tubing O.D. 6 mm For tubing O.D. 8 mm For tubing O.D. 10 mm	13 g	158419	QS0