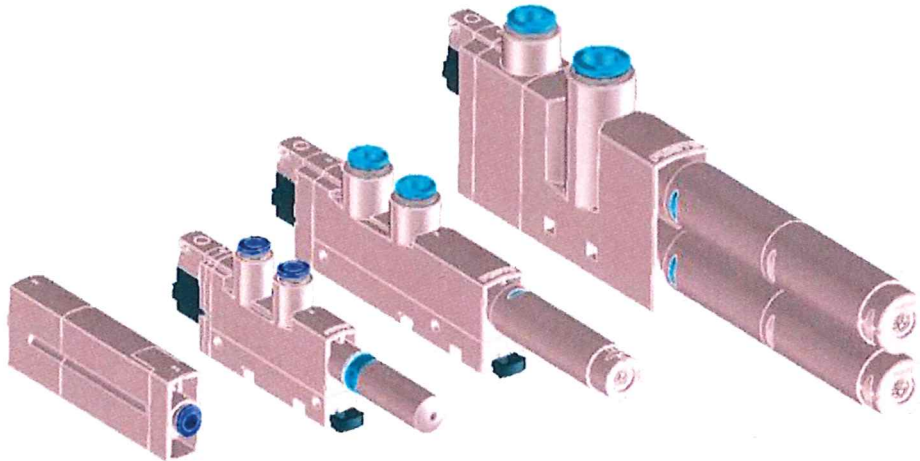


# Engineering Change Notification

VN-...-Vacuum generators



## Engineering Change Notification

Project No  
269959

Project Title  
VN-... BMS-TQ  
conector change

Date  
September 24th, 2025

### Reason of change

Changing in VN-... housings from QS to BMS-TQ inserts in VN-... products. This change has to be implemented to comply with RoHSII regulation.

### Technical changes

BMS-TQ fitting insert will replace existing QS fitting insert. For change details see pictures below.

Previous Version	Future Version
QS	BMS-TQ

Page  
1 / 3

Only size 10 displayed but size 6, 8 and 12 will be affected by the change.

New connectors will be shorter and have oval shaped release ring (blue part).

### Known technical implications

- **Function**  
Currently no known implications.
- **Environment**  
Currently no known implications.
- **Interfacing**  
Currently no known implications.

### Affected products

Part No	Type
532626	Vacuum gener. VN-07-H-T3-PQ2-VQ2-RO1-M
532627	Vacuum gener. VN-07-L-T3-PQ2-VQ2-RO1-M
532636	VACUUM GENER. VN-10-H-T3-PQ2-VQ2-RO1-M
532637	Vacuum gener. VN-10-L-T3-PQ2-VQ2-RO1-M
8163140	Vacuum gener. VN-10-H-T3-PQ2-VQ2-RO1-M
193495	Vacuum gener. VN-20-H-T6-PQ4-VQ5-RO2
193497	Vacuum gener. VN-30-H-T6-PQ4-VQ5-RO2
193578	Vacuum gener. VN-20-L-T6-PQ4-VQ5-RO2
526135	Vacuum gener. VN-20-L-T6-PQ4-VA5-RO2
526136	Vacuum gener. VN-30-L-T6-PQ4-VA5-RO2
526145	Vacuum gener. VN-20-H-T6-PQ4-VA5-RO2
526146	Vacuum gener. VN-30-H-T6-PQ4-VA5-RO2
532656	Vacuum gener. VN-20-H-T6-PQ4-VQ5-RO2-M
532662	Vacuum gener. VN-30-H-T6-PQ4-VQ5-RO2-M
193554	Vacuum gener. VN-10-M-I3-PQ2-VQ2
532646	Vacuum gener. VN-14-H-T4-PQ3-VQ3-RO2-A
532647	Vacuum gener. VN-14-L-T4-PQ3-VQ3-RO2-A
532648	Vacuum gener. VN-14-H-T4-PQ3-VQ3-RO2-B
532649	Vacuum gener. VN-14-L-T4-PQ3-VQ3-RO2-B
4591682	Vacuum gener. VN-14-L-T4-PQ3-VQ3-RO2-&
532644	Vacuum gener. VN-14-H-T4-PQ3-VQ3-RO2-M
532645	Vacuum gener. VN-14-L-T4-PQ3-VQ3-RO2-M
2721418	Vacuum gener. VN-14-H-T4-PQ3-VQ3-SA

### Engineering Change Notification

Project No  
269959

Project Title  
VN-... BMS-TQ  
conector change

Date  
September 24th, 2025

Page  
2 / 3

### Estimated transition date

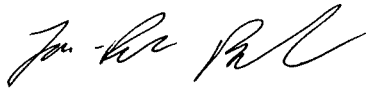
According to our current project schedule, the change will be productive approximately

**4<sup>th</sup> Quarter 2025**

Please note, that the transition date can vary due to technical reasons and production needs.

**Release**

Esslingen – Germany, September 24<sup>th</sup>, 2025



Product Care *Jan-Peter Bender*



Corporate Quality

**Engineering  
Change  
Notification**

**Project No**  
269959

**Project Title**  
VN-... BMS-TQ  
conector change

**Date**  
September 24th, 2025

**Page**  
3 / 3