

Pressure gauge PAGN

FESTO



Characteristics

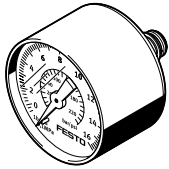
At a glance

Pressure gauge to DIN EN 837-1 for mounting on a push-in fitting.

- Display units MPa, bar, psi

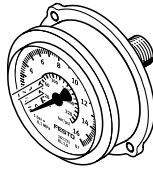
Design type

[] Direct mounting



Intended for direct mounting.

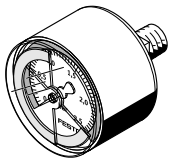
[P] Front panel mounting



Intended for front panel mounting.

Additional display

[RG] Red/green scale



Two adjustable red segments above the pressure gauge scale along with the printed green segment enable the required pressure range to be limited. The different colours show whether or not the pressure is in the permitted tolerance range.

Certification

[CPA] CPA (certification for measuring devices in China)

China Pattern Approval: Type approval of mechanical measuring devices for use in China.

Type code

001	Series	
PAGN	Pressure gauge PAGN	

002	Design type	
	Direct mounting	
P	Front panel mounting	

003	Size	
26	Diameter 26 mm	
40	Diameter 40 mm	
50	Diameter 50 mm	
63	Diameter 63 mm	

004	Display range	
0.1	0 ... 0.1	
0.4	0 ... 0.4	
0.6	0 ... 0.6	
1	0 ... 1	
1.6	0 ... 1.6	
10	0 ... 10	
16	0 ... 16	
145	0 ... 145	
232	0 ... 232	

005	Display unit	
	bar	
M	MPa	
P	psi	

006	Pneumatic connection	
G18S	G1/8, with sealing ring	
G14	G1/4	
P10	Cartridge 10 mm	
R18	R1/8	

007	Measurement accuracy	
	2.5 FS	
1	1 FS	
1.6	1.6 FS	

008	Pneumatic connection version	
	Standard	
R1	Stainless steel	

009	Additional display	
	None	
RG	Red/green scale	

010	Certification	
	None	
CPA	CPA (certification for measuring devices in China)	

Datasheet

General technical data



Nominal size of pressure gauge	26	40	50	63
Pneumatic connection	Cartridge 10 mm G1/8 with sealing ring	Cartridge 10 mm G1/8 G1/4 R1/8	G1/4	
Design	Bourdon tube pressure gauge without measuring mechanism, Bourdon tube pressure gauge	Bourdon tube pressure gauge		
Type of mounting	In-line installation	Front panel mounting In-line installation	Front panel mounting	Front panel mounting In-line installation
Position of connection	Centred, rear side			
Alternating load factor	0.66			
Measurement accuracy class	4, 5	1.6, 2.5	2.5	1, 1.6, 2.5
Degree of protection	IP43, NEMA 4		IP43	IP43, IP65
Conforms to standard	–	EN 837-1		EN 837-1 EN 837-3

Operating and environmental conditions

Nominal size of pressure gauge	26	40	50	63
Operating pressure	0 ... 1.6 MPa			
Operating pressure	0 ... 16 bar			
Operating pressure	0 ... 232 psi			
Operating medium	Inert gases, Neutral fluids			
Note on operating and pilot medium	No acetylene, No oxygen			
Ambient temperature	-20 ... 60°C			-40 ... 60°C
Media temperature	-20 ... 60°C			-40 ... 200°C
Storage temperature	-5 ... 50°C	-40 ... 70°C		

Product weight

Design type	Direct mounting				Front panel mounting			
Nominal size of pressure gauge	26	40	63	40	50	63		
Pneumatic connection	Cartridge 10 mm G1/8 with sealing ring	Cartridge 10 mm R1/8	G1/4					
Product weight	15 g	8 g	50 g	60 g	160 g	80 g	100 g	120 g

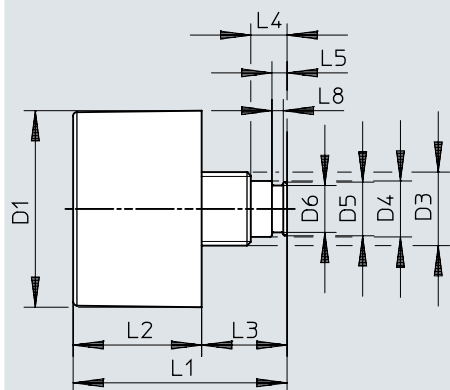
Materials

Nominal size of pressure gauge	26	40	50	63
Material housing	ABS, PA	ABS, PBT	ABS	ABS, High-alloy stainless steel
Material screen	PS	PS, SAN	SAN	PC, PS, SAN
Material screwed plug	ABS, Brass	Brass		Brass, High-alloy stainless steel
Material in contact with the medium	ABS, Brass	Brass		Brass, High-alloy stainless steel
Housing colour	Black			Black, Silver
LABS (PWIS) conformity	VDMA24364-B1/B2-L			VDMA24364-B2-L VDMA24364-B1/B2-L

Dimensions

Dimensions – PAGN-26

Download CAD data www.festo.com

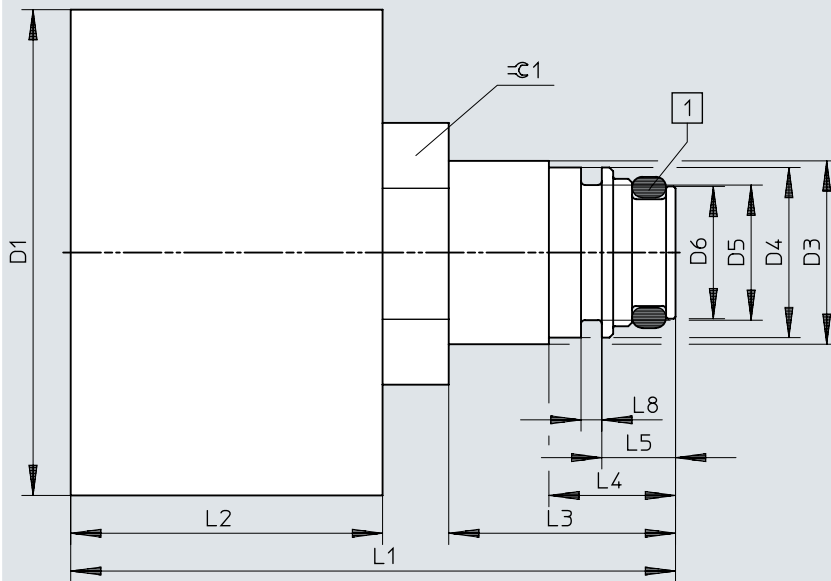


	D1 ∅	D3	D4 ∅ ±0,05	D5 ∅	D6 ∅ ±0,05	L1	L2	L3	L4	L5	L8 ±0,05
PAGN-26-10-G18S	26	G1/8	7.4	7.1	6.2	28.3	17	11.3	4.8	2	1.5
PAGN-26-1M-G18S											

Dimensions

Dimensions – PAGN-26-...-P10

Download CAD data www.festo.com



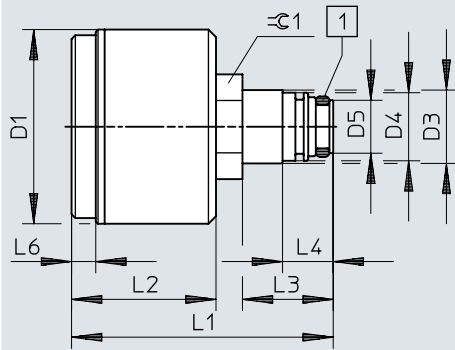
[1] Sealing ring

	D1 ∅	D3 ∅ ±0,1	D4 ∅ ±0,05	D5 ∅ ±0,05	D6 ∅ ±0,1	L1	L2 ±0,5	L3	L4	L5	L8 +0,1	⊥ 1
PAGN-26-...-P10	25,7	9,7	9	7,8	7	32	16,5	12	6,7	3,9	1,1	12

Dimensions

Dimensions – PAGN-26-...-P10-RG, with red/green area

Download CAD data www.festo.com



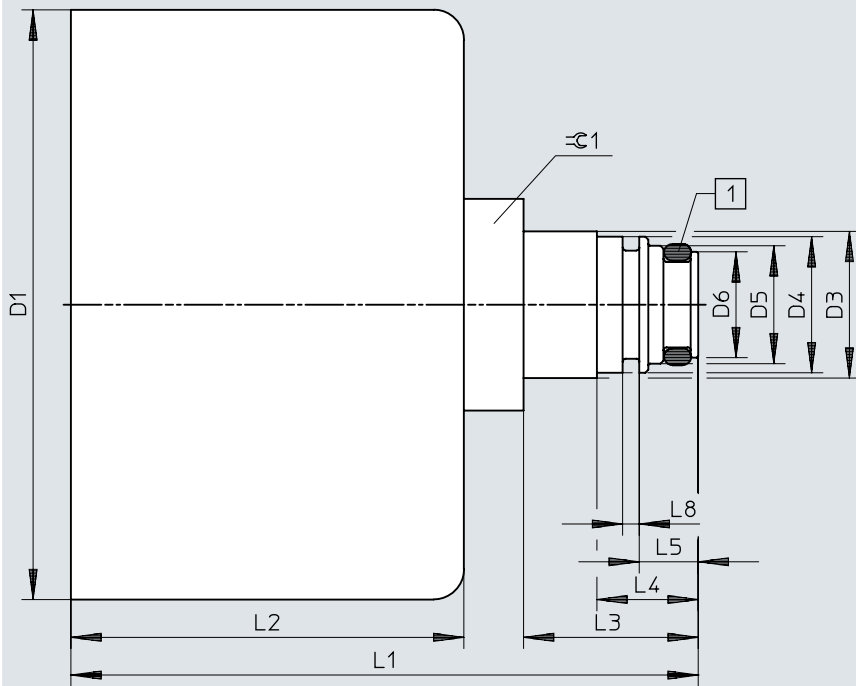
[1] Sealing ring

	D1 ∅ +0,1/-0,2	D3 ∅ ±0,1	D4 ∅ ±0,05	D5 ∅ ±0,1	L1 ±1	L2 ±0,5	L3	L4	L6 ±0,1	⊕ 1
PAGN-26-...-P10-RG	25,7	9,7	9	7	34,6	19,1	12	6,7	3,2	12

Dimensions

Dimensions – PAGN-40-...-P10

Download CAD data www.festo.com



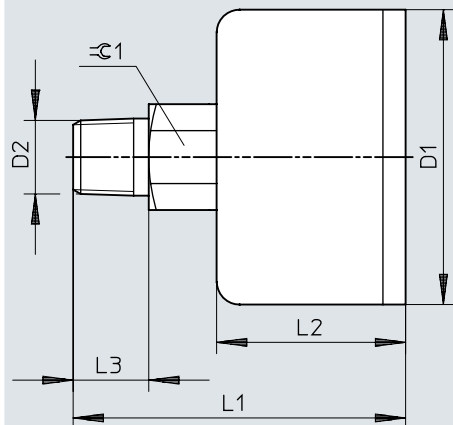
[1] Sealing ring

	D1 ∅	D3 ∅ ±0,1	D4 ∅ ±0,05	D5 ∅ ±0,05	D6 ∅ ±0,1	L1	L2 ±0,5	L3	L4	L5	L8	±0,1	±0,1
PAGN-40-...-P10	39	9,7	9	7,8	7	41,5	26	11,6	6,7	3,9	1,1	14	14

Dimensions

Dimensions – PAGN-40-...-R18

Download CAD data www.festo.com

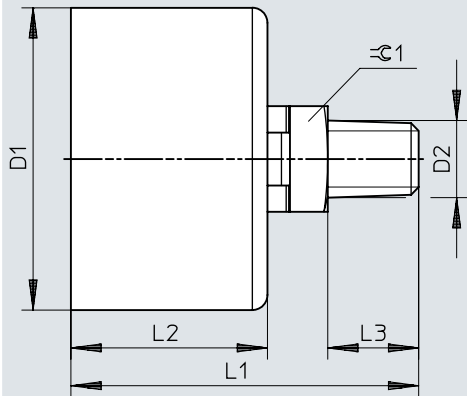


	D1 ∅	D2	L1	L2	L3	≡C 1
PAGN-40-...-R18	39	R1/8	44	25	10	14

Dimensions

Dimensions – PAGN-40-...-1.6

Download CAD data www.festo.com



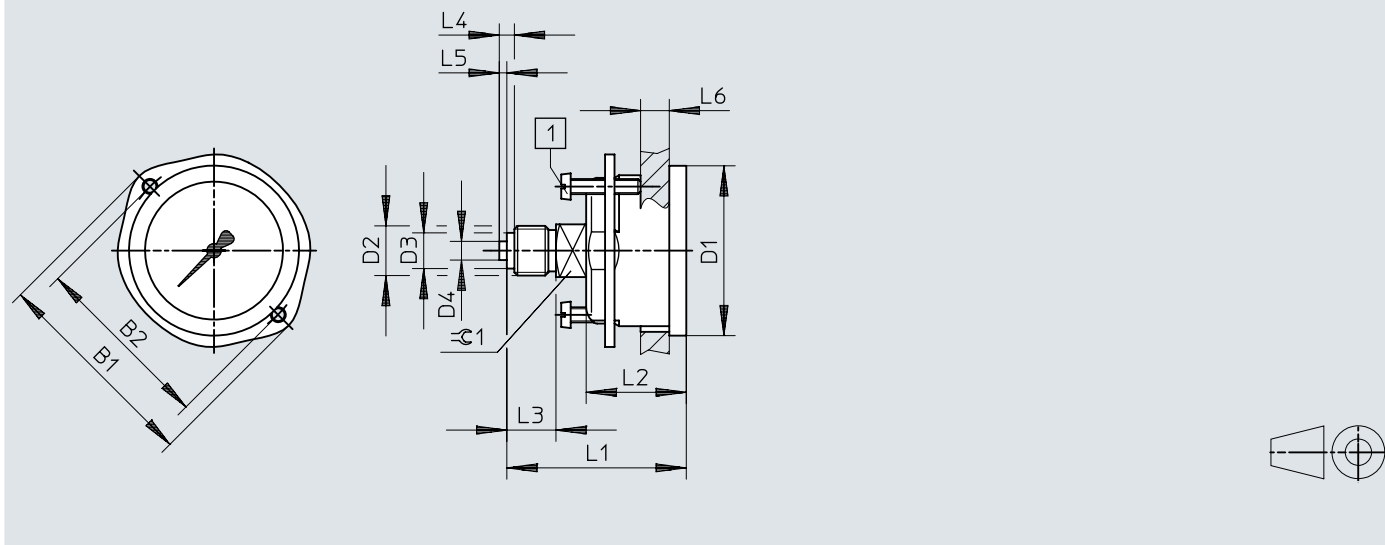
[1] Coated with thread sealant

	D1 ∅	D2	L1	L2	L3	☑ 1
PAGN-40-...-1.6	39 +0,1/-0,2	R1/8	44	25 +0,5	10	14

Dimensions

Dimensions – PAGN-P-40

Download CAD data www.festo.com

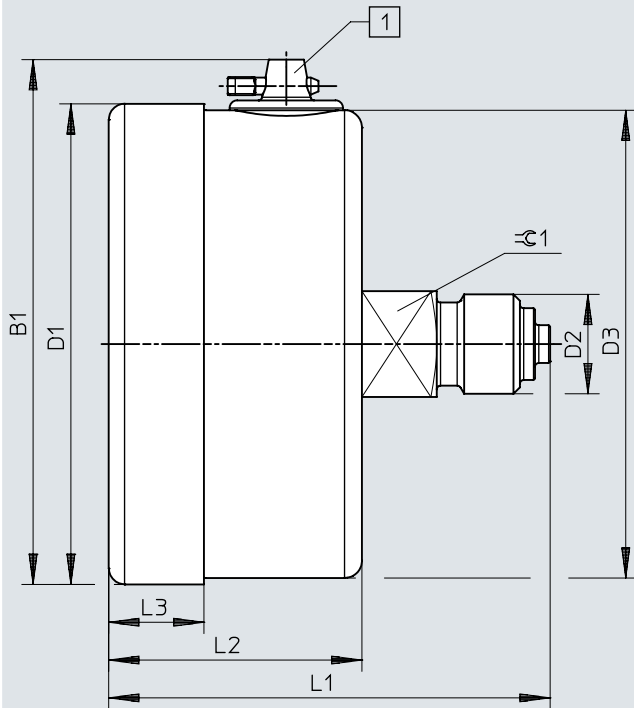


	B1	B2	D1 ∅	D2	D3 ∅	D4 ∅	L1	L2	L3	L4	L5	L6		±0.1
												min.	max.	
PAGN-P-40	56	48	45	G1/4	9,5	5	47,5	26,5	13	4	2	0	15	14

Dimensions

Dimensions – PAGN-63

Download CAD data www.festo.com



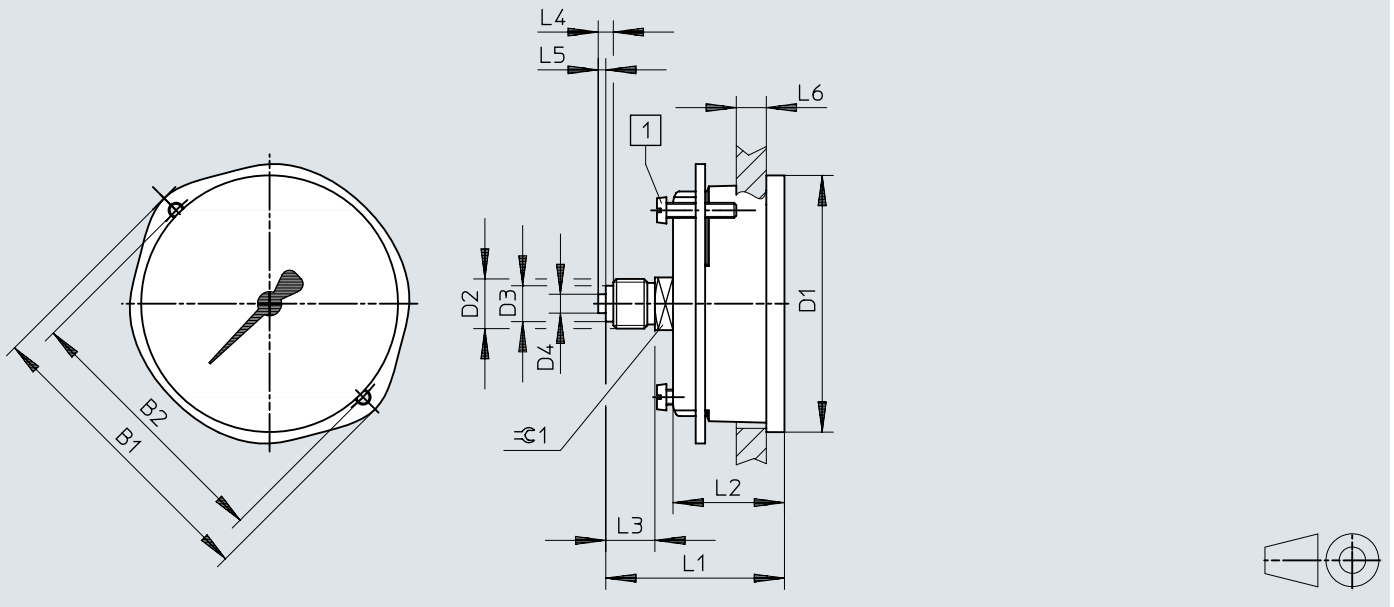
[1] ≤ 16 bar with balancing valve

	B1	D1 ∅	D2	D3 ∅	L1	L2	L3	≙ 1
PAGN-63	69,5	63	G1/4	62	57	33	11,5	14

Dimensions

Dimensions – PAGN-P-50/63

Download CAD data www.festo.com



[1] Screw M4x20

	B1	B2	D1 ∅	D2	D3 ∅	D4 ∅	L1	L2	L3	L4	L5	L6		≈G 1
												min.	max.	
PAGN-P-50	66	57	54	G1/4	9,5	5	47,8	26,8	13	4	2	0	15	14
PAGN-P-63	79	70	68				47,3	29,5						

Ordering data

Ordering data – Nominal size 27 (cable installation)						
Pneumatic connection	Indicating range	Indicating range	Indicating range	Scale	Part no.	Type
Cartridge 10 mm		0 ... 10 bar	0 ... 145 psi	Double scale, Bar (outside scale), psi (inner scale)	543488	PAGN-26-10-P10
				Double scale, bar (inner scale), psi (outer scale)	563732	PAGN-26-145P-P10
		0 ... 16 bar	0 ... 232 psi	Double scale, Bar (outside scale), psi (inner scale)	543487	PAGN-26-16-P10
				Double scale, bar (inner scale), psi (outer scale)	563731	PAGN-26-232P-P10
	0 ... 1 MPa	0 ... 10 bar		Single scale, MPa (outer scale)	563736	PAGN-26-1M-P10
				Double scale, MPa (internal), Bar (outside scale)	8090378	PAGN-26-10-P10-RG
	0 ... 1.6 MPa			Single scale, MPa (outer scale)	563735	PAGN-26-1.6M-P10
	G1/8 with sealing ring	0 ... 1 MPa	0 ... 10 bar	0 ... 145 psi	Double scale, Bar (outside scale), psi (inner scale)	8088985
Single scale, MPa (outer scale)					8088986	PAGN-26-1M-G18S

Ordering data – Nominal size 40 (cable installation)									
Pneumatic connection ¹⁾	Indicating range	Indicating range	Indicating range	Scale	Certification	Part no.	Type		
Cartridge 10 mm		0 ... 10 bar	0 ... 145 psi	Double scale, Bar (outside scale), psi (inner scale)	None	548009	PAGN-40-10-P10		
				Double scale, bar (inner scale), psi (outer scale)		563734	PAGN-40-145P-P10		
		0 ... 16 bar	0 ... 232 psi	Double scale, Bar (outside scale), psi (inner scale)		548010	PAGN-40-16-P10		
				Double scale, bar (inner scale), psi (outer scale)		563733	PAGN-40-232P-P10		
	0 ... 1 MPa			Single scale, MPa (outer scale)		563738	PAGN-40-1M-P10-CPA		
	0 ... 1.6 MPa			Single scale, MPa (outer scale)		563737	PAGN-40-1.6M-P10-CPA		
	R1/8	0 ... 0.1 MPa				Single scale, MPa (outer scale)	CPA (certification for measuring devices in China)	8178621	PAGN-40-0.1M-R18-1.6-CPA
		0 ... 0.4 MPa						8178623	PAGN-40-0.4M-R18-1.6-CPA
0 ... 0.6 MPa				8178624	PAGN-40-0.6M-R18-1.6-CPA				
0 ... 1 MPa				8178622	PAGN-40-1M-R18-1.6-CPA				
0 ... 1.6 MPa				8178625	PAGN-40-1.6M-R18-1.6-CPA				

1) CPA: Certification for measuring devices in China

Ordering data

Ordering data – Nominal size 40 (cable installation)						
Pneumatic connection ¹⁾	Indicating range	Indicating range	Indicating range	Scale	Part no.	Type
R1/8		0 ... 10 bar	0 ... 145 psi	Double scale, Bar (outside scale), psi (inner scale)	2849914	PAGN-40-10-R18-1.6
	0 ... 1 MPa			Double scale, MPa (outer scale), bar (inner scale)	2849916	PAGN-40-1M-R18-1.6

1) CPA: Certification for measuring devices in China

Ordering data – Nominal size 40 (cable installation)						
Pneumatic connection ¹⁾	Indicating range	Scale	Certification	Part no.	Type	
G1/4	0 ... 1 MPa	Single scale	CPA (certification for measuring devices in China)	8178626	PAGN-P-40-1M-G14-CPA	
	0 ... 1.6 MPa			8178627	PAGN-P-40-1.6M-G14-CPA	

1) CPA: Certification for measuring devices in China

Ordering data – Nominal size 63 (front panel mounting)						
Pneumatic connection ¹⁾	Indicating range	Scale	Certification	Part no.	Type	
G1/4	0 ... 1 MPa	Single scale	CPA (certification for measuring devices in China)	8178628	PAGN-P-50-1M-G14-CPA	
	0 ... 1.6 MPa			8178629	PAGN-P-50-1.6M-G14-CPA	

1) CPA: Certification for measuring devices in China

Ordering data – Nominal size 63 (cable installation)						
Pneumatic connection	Indicating range	Scale	Part no.	Type		
G1/4	0 ... 16 bar	Double scale, Bar (outside scale), psi (inner scale)	8081401	PAGN-63-16-G14-R1-1.6-0.5-V2		

Ordering data – Nominal size 63 (front panel mounting)						
Pneumatic connection ¹⁾	Indicating range	Scale	Certification	Part no.	Type	
G1/4	0 ... 0.1 MPa	Single scale, MPa (outer scale)	CPA (certification for measuring devices in China)	8178632	PAGN-P-63-0.1M-G14-1-CPA	
	0 ... 0.4 MPa			8178633	PAGN-P-63-0.4M-G14-1-CPA	
	0 ... 0.6 MPa			8178634	PAGN-P-63-0.6M-G14-1-CPA	
	0 ... 1 MPa			8178630	PAGN-P-63-1M-G14-CPA	
	0 ... 1.6 MPa			8178631	PAGN-P-63-1.6M-G14-CPA	
				8178635	PAGN-P-63-1.6M-G14-1-CPA	

1) CPA: Certification for measuring devices in China

Ordering data – Nominal size 27 (cable installation)						
Pneumatic connection	Indicating range	Scale	Product weight	Part no.	Type	
G1/8	0 ... 1 MPa	Double scale, MPa (outer scale), bar (inner scale)	60 g	8037109	PAGN-40-1M-G18PA	
G1/4	0 ... 0.025 MPa		220 g	8036756	PAGN-63-0.025M-G14-1.6	
R1/8	0 ... 0.4 MPa		60 g	8037010	PAGN-40-0.4M-R18-1.6	
	0 ... 0.6 MPa		8037011	PAGN-40-0.6M-R18-1.6		
	0 ... 1.6 MPa		8037012	PAGN-40-1.6M-R18-1.6		

Ordering data

Ordering data – Nominal size 40 (cable installation)								
Pneumatic connection ¹⁾	Indicating range	Scale	Product weight	Part no.	Type			
G1/4	0 ... 0.1 MPa	Double scale, MPa (outer scale), bar (inner scale)	120 g	8037002	PAGN-P-63-0.1M-G14-1			
	0 ... 0.4 MPa			8037003	PAGN-P-63-0.4M-G14-1			
	0 ... 0.6 MPa			8037004	PAGN-P-63-0.6M-G14-1			
	0 ... 1 MPa			80 g	8037006	PAGN-P-40-1M-G14		
				100 g	8037008	PAGN-P-50-1M-G14		
				120 g	8037000	PAGN-P-63-1M-G14		
				80 g	8037007	PAGN-P-40-1.6M-G14		
				100 g	8037009	PAGN-P-50-1.6M-G14		
				0 ... 1.6 MPa		120 g	8037001	PAGN-P-63-1.6M-G14
							8037005	PAGN-P-63-1.6M-G14-1

1) CPA: Certification for measuring devices in China