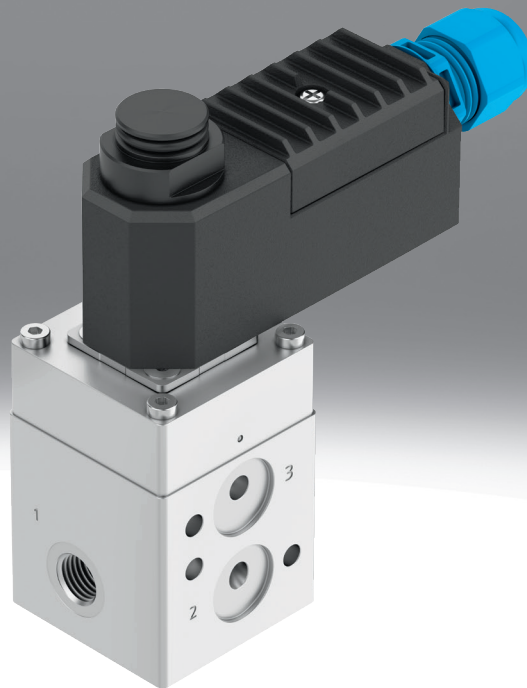


Solenoid valve VOFC

FESTO



Type code

001	Series	
VOFC	Solenoid valve	
002	Directional control valve type	
L	In-line valve	
003	Design principle	
	Piston spool	
T	Poppet valve	
004	Valve function	
B52	5/2-way valve, double solenoid/bistable	
M32C	3/2-way valve, normally closed	
M52	5/2-way valve, single solenoid/monostable	
005	Reset method for monostable/single solenoid valves	
	None	
M	Mechanical spring	
006	Pilot air	
	Internal	
C	Internal/external	
Z	External	
007	Manual override	
	None	
H	Non-detenting	
Y	Detenting	
008	Pneumatic connection	
FG12	NAMUR port pattern 1/4, connections G1/2	
FG13	NAMUR port pattern 1/2, connections G1/2	
FG14	NAMUR port pattern 1/4, connections G1/4	
FGP14	NAMUR port pattern 1/4, connections G1/4 with extended NAMUR interface	
FN12	NAMUR port pattern 1/4, connections 1/2 NPT	
FN13	NAMUR port pattern 1/2, connections 1/2 NPT	
FN14	NAMUR port pattern 1/4, connections 1/4 NPT	
FNP14	NAMUR port pattern 1/4, connections 1/4 NPT with extended NAMUR interface	
G14	G1/4	
G12	G1/2	
N14	1/4 NPT	
N12	1/2 NPT	
009	Supply connection version	
	Standard	
PF	With particle filter	
NPF	With particle filter and connecting thread NPT	
010	Exhaust	
	No fitting	
U6	With exhaust protection	

011	Corrosion protection	
	Standard	
R1	Stainless steel	
012	Valve pilot control interface	
F19	Electric with armature tube for solenoid coil, 13 mm	
F19A	Electric with armature tube for solenoid coil 13 mm, intrinsically safe	
FN	With armature tube 9 mm	
P2	For pilot valves with CNOMO interface size 30 mm to ISO 15218	
SG14	Interface with thread G1/4	
SN14	Interface with thread 1/4 NPT	
013	Power consumption	
	None	
11	1.1 W	
18	1.8 W	
014	Nominal operating voltage	
	None	
1	24 V DC	
1U	24 V DC and AC	
2U	110 V DC and AC	
3U	230 V DC and AC	
27	60 V DC	
015	Electrical connection	
	None	
A1	Plug pattern type A, to EN 175301-803	
K4	Cable connector metric	
016	Circuitry	
	None	
F	Fuse	
017	EX certification EU	
	None	
EX4	II 2GD	
018	Certification	
	None	
KS4	KOSHA (Ex certification Korea, EPL Gb and Db)	
NE4	CCC-Ex (Ex certification China, EPL Gb and Db)	
NM4	INMETRO (Ex certification Brazil, EPL Gb and Db)	
019	Type of ignition protection	
	None	
A	Intrinsically safe	
ME	Encapsulation, enhanced security	

Datasheet

General technical data, 3/2-way valve, poppet valve, monostable, G1/4 NAMUR		
Pneumatic connection, port 1	G1/4	M5, Connection pattern to NAMUR
Pneumatic connection, port 2	Flange 1/4, Connection pattern to NAMUR	
Pneumatic connection, port 3	G1/4	
Valve function	3/2-way, single solenoid, closed	
Design	Piloted piston poppet valve	
Construction width	51 mm	
Mounting position	Any	
Sealing principle	Hard	
Manual override	None	
Type of reset	Mechanical spring	
Type of actuation	Electrical	
Type of piloting	Piloted	
Pilot air supply	Internal	External, Internal
Flow rate Kv pressurisation	0.55 m ³ /h	0.54 m ³ /h
Flow rate Kv exhaust	0.99 m ³ /h	0.98 m ³ /h
Flow direction	Non-reversible	
Switching time off	18 ms	
Switching time on	24 ms	
Nominal size	6 mm	
Standard nominal flow rate (standardised to DIN 1343)	601 l/min	595 l/min
Standard nominal flow rate 2-3	1,085 l/min	1,066 l/min

Operating and environmental conditions, 3/2-way valve, poppet valve, monostable, G1/4 NAMUR	
Operating medium	Compressed air to ISO 8573-1:2010 [7:2:2]
Degree of protection	IP65
Operating pressure	0 ... 8 bar
Operating pressure	0 ... 116 psi
Note on operating pressure	0 - 0.8 MPa with ext. pilot air
Media temperature	-25 ... 60°C
Ambient temperature	-25 ... 60°C
Safety Integrity Level (SIL)	up to SIL 3 high demand mode To SIL 3 Low Demand mode
Corrosion resistance class CRC ¹⁾	4 - Very high corrosion stress
Certificate issuing authority	TÜV 968/V 1251.00/24

1) More information www.festo.com/vofc/topic/kbk

Materials, 3/2-way valve poppet valve, monostable, G1/4 NAMUR	
Material housing	Ematal coated aluminium
Material seals	NBR
Note on materials	RoHS compliant
LABS (PWIS) conformity	VDMA24364 zone III

Datasheet

General technical data, 3/2-way valve, poppet valve, monostable, G1/4 pipe socket

Pneumatic connection, port 1	G1/4	1/4 NPT
Pneumatic connection, port 2	G1/4	1/4 NPT
Pneumatic connection, port 3	G1/4	1/4 NPT
Valve function	3/2-way, single solenoid, closed	
Design	Piloted piston poppet valve	
Construction width	51 mm	
Mounting position	Any	
Sealing principle	Hard	
Manual override	None	
Type of reset	Mechanical spring	
Type of actuation	Electrical	
Type of piloting	Piloted	
Pilot air supply	External, Internal	
Flow rate Kv pressurisation	0.64 m ³ /h	
Flow rate Kv exhaust	1.46 m ³ /h	
Flow direction	Non-reversible	
Switching time off	18 ms	
Switching time on	24 ms	
Nominal size	6 mm	
Standard nominal flow rate (standardised to DIN 1343)	703 l/min	
Standard nominal flow rate 2-3	1,596 l/min	

Operating and environmental conditions, 3/2-way valve, poppet valve, monostable, G1/4 pipe socket

Operating medium	Compressed air to ISO 8573-1:2010 [7:2:2]	
Degree of protection	IP65	
Operating pressure	1 ... 8 bar	
Operating pressure	14.5 ... 116 psi	
Note on operating pressure	0 - 0.8 MPa with ext. pilot air	
Media temperature	-25 ... 60°C	
Ambient temperature	-25 ... 60°C	
Safety Integrity Level (SIL)	up to SIL 3 high demand mode To SIL 3 Low Demand mode	
Corrosion resistance class CRC ¹⁾	4 - Very high corrosion stress	
Certificate issuing authority	TÜV 968/V 1251.00/24	

1) More information www.festo.com/vo/c/topic/kbk

Materials, 3/2-way valve, poppet valve, monostable, G1/4 pipe socket

Material housing	Ematal coated aluminium	
Material seals	NBR	
Note on materials	RoHS compliant	
LABS (PWIS) conformity	VDMA24364 zone III	

Datasheet

General technical data, 3/2-way valve, poppet valve, monostable, G1/2 NAMUR

Pneumatic connection, port 1	G1/2
Pneumatic connection, port 2	Flange 1/4 Flange 1/2 Connection pattern to NAMUR
Pneumatic connection, port 3	G1/2
Valve function	3/2-way, single solenoid, closed
Design	Piloted piston poppet valve
Construction width	51 mm
Mounting position	Any
Sealing principle	Hard
Manual override	None
Type of reset	Mechanical spring
Type of actuation	Electrical
Type of piloting	Piloted
Pilot air supply	External, Internal
Flow rate Kv pressurisation	1.93 ... 1.98 m ³ /h
Flow rate Kv exhaust	3.07 ... 3.86 m ³ /h
Flow direction	Non-reversible
Switching time off	14 ms
Switching time on	25 ms
Nominal size	12 mm
Standard nominal flow rate (standardised to DIN 1343)	2,108 ... 2,162 l/min
Standard nominal flow rate 2-3	3,353 ... 4,224 l/min

Operating and environmental conditions, 3/2-way valve, poppet valve, monostable, G1/2 NAMUR

Operating medium	Compressed air to ISO 8573-1:2010 [7:2:2]
Degree of protection	IP65
Operating pressure	2 ... 8 bar
Operating pressure	29 ... 116 psi
Note on operating pressure	0 - 0.8 MPa with ext. pilot air
Media temperature	-25 ... 60°C
Ambient temperature	-25 ... 60°C
Safety Integrity Level (SIL)	up to SIL 3 high demand mode To SIL 3 Low Demand mode
Corrosion resistance class CRC ¹⁾	4 - Very high corrosion stress
Certificate issuing authority	TÜV 968/V 1251.00/24

1) More information www.festo.com/vofc/topic/kbk

Materials, 3/2-way valve, poppet valve, monostable, G1/2 NAMUR

Material housing	Ematal coated aluminium
Material seals	NBR
Note on materials	RoHS compliant
LABS (PWIS) conformity	VDMA24364 zone III

Datasheet

General technical data, 3/2-way valve, poppet valve, monostable, G1/2 pipe socket

Pneumatic connection, port 1	G1/2
Pneumatic connection, port 2	G1/2
Pneumatic connection, port 3	G1/2
Valve function	3/2-way, single solenoid, closed
Design	Piloted piston poppet valve
Construction width	51 mm
Mounting position	Any
Sealing principle	Hard
Manual override	None
Type of reset	Mechanical spring
Type of actuation	Electrical
Type of piloting	Piloted
Pilot air supply	External, Internal
Flow rate Kv pressurisation	2.56 m ³ /h
Flow rate Kv exhaust	3.17 m ³ /h
Flow direction	Non-reversible
Switching time off	14 ms
Switching time on	25 ms
Nominal size	12 mm
Standard nominal flow rate (standardised to DIN 1343)	2,794 l/min
Standard nominal flow rate 2-3	3,466 l/min

Operating and environmental conditions, 3/2-way valve, poppet valve, monostable, G1/2 pipe socket

Operating medium	Compressed air to ISO 8573-1:2010 [7:2:2]
Degree of protection	IP65
Operating pressure	2 ... 8 bar
Operating pressure	29 ... 116 psi
Note on operating pressure	0 - 0.8 MPa with ext. pilot air
Media temperature	-25 ... 60°C
Ambient temperature	-25 ... 60°C
Safety Integrity Level (SIL)	up to SIL 3 high demand mode To SIL 3 Low Demand mode
Corrosion resistance class CRC ¹⁾	4 - Very high corrosion stress
Certificate issuing authority	TÜV 968/V 1251.00/24

1) More information www.festo.com/vofc/topic/kbk

Materials, 3/2-way valve, poppet valve, monostable, G1/2 pipe socket

Material housing	Ematal coated aluminium
Material seals	NBR
Note on materials	RoHS compliant
LABS (PWIS) conformity	VDMA24364 zone III

Datasheet

General technical data, 5/2-way valve, piston spool, monostable, G1/4 NAMUR

Pneumatic connection, port 1	G1/4
Pneumatic connection, port 2	Flange 1/4 Connection pattern to NAMUR
Pneumatic connection, port 3	G1/4
Valve function	5/2-way, single solenoid
Design	Piston gate valve
Construction width	40 mm
Mounting position	Any
Sealing principle	Soft
Manual override	None
Type of reset	Mechanical spring
Type of actuation	Electrical
Type of piloting	Piloted
Pilot air supply	Internal
Flow rate Kv pressurisation	1.08 m ³ /h
Flow rate Kv exhaust	1.08 m ³ /h
Flow direction	Non-reversible
Switching time off	22 ms
Switching time on	26 ms
Nominal size	6 mm
Standard nominal flow rate (standardised to DIN 1343)	1,030 l/min
Standard nominal flow rate 2-3	978 l/min

Operating and environmental conditions, 5/2-way valve, piston spool, monostable, G1/4 NAMUR

Operating medium	Compressed air to ISO 8573-1:2010 [7:2:2]
Degree of protection	IP65
Operating pressure	2.5 ... 8 bar
Operating pressure	36.25 ... 116 psi
Note on operating pressure	–
Media temperature	-25 ... 60°C
Ambient temperature	-25 ... 60°C
Safety Integrity Level (SIL)	–
Corrosion resistance class CRC ¹⁾	4 - Very high corrosion stress

¹⁾ More information www.festo.com/vofc/topic/kbk

Materials, 5/2-way valve piston spool, monostable, G1/4 NAMUR

Material housing	Ematal coated aluminium
Material seals	NBR
Note on materials	RoHS compliant
LABS (PWIS) conformity	VDMA24364 zone III

Datasheet

General technical data, 5/2-way valve, piston spool, monostable, G1/4 pipe socket

Pneumatic connection, port 1	G1/4
Pneumatic connection, port 2	G1/4
Pneumatic connection, port 3	G1/4
Valve function	5/2-way, single solenoid
Design	Piston gate valve
Construction width	40 mm
Mounting position	Any
Sealing principle	Soft
Manual override	Detenting, None
Type of reset	Mechanical spring
Type of actuation	Electrical
Type of piloting	Piloted
Pilot air supply	Internal
Flow rate Kv pressurisation	1.08 m ³ /h
Flow rate Kv exhaust	1.08 m ³ /h
Flow direction	Non-reversible
Switching time off	22 ms
Switching time on	26 ms
Nominal size	6 mm
Standard nominal flow rate (standardised to DIN 1343)	1,030 l/min
Standard nominal flow rate 2-3	978 l/min

Operating and environmental conditions, 5/2-way valve, piston spool, monostable, G1/4 pipe socket

Operating medium	Compressed air to ISO 8573-1:2010 [7:2:2]
Degree of protection	IP65
Operating pressure	2.5 ... 8 bar
Operating pressure	36.25 ... 116 psi
Note on operating pressure	–
Media temperature	-25 ... 60°C
Ambient temperature	-25 ... 60°C
Safety Integrity Level (SIL)	–
Corrosion resistance class CRC ¹⁾	4 - Very high corrosion stress

1) More information www.festo.com/vofc/topic/kbk

Materials, 5/2-way valve, piston spool, monostable, G1/4 pipe socket

Material housing	Ematal coated aluminium
Material seals	NBR
Note on materials	RoHS compliant
LABS (PWIS) conformity	VDMA24364 zone III

Datasheet

General technical data, 5/2-way valve, piston spool, double solenoid, G1/4 NAMUR

Pneumatic connection, port 1	G1/4
Pneumatic connection, port 2	Flange 1/4 G1/4 Connection pattern to NAMUR
Pneumatic connection, port 3	G1/4
Valve function	5/2-way, double solenoid
Design	Piston gate valve
Construction width	40 mm
Mounting position	Any
Sealing principle	Soft
Manual override	None
Type of reset	–
Type of actuation	Electrical
Type of piloting	Piloted
Pilot air supply	Internal
Flow rate Kv pressurisation	1.08 m ³ /h
Flow rate Kv exhaust	1.08 m ³ /h
Flow direction	Non-reversible
Switching time off	22 ms
Switching time on	26 ms
Nominal size	6 mm
Standard nominal flow rate (standardised to DIN 1343)	989 l/min
Standard nominal flow rate 2-3	978 l/min

Operating and environmental conditions, 5/2-way valve piston spool, double solenoid, G1/4 NAMUR

Operating medium	Compressed air to ISO 8573-1:2010 [7:2:2]
Degree of protection	IP65
Operating pressure	2.5 ... 8 bar
Operating pressure	36.25 ... 116 psi
Note on operating pressure	–
Media temperature	-25 ... 60°C
Ambient temperature	-25 ... 60°C
Safety Integrity Level (SIL)	–
Corrosion resistance class CRC ¹⁾	4 - Very high corrosion stress

1) More information www.festo.com/vofc/topic/kbk

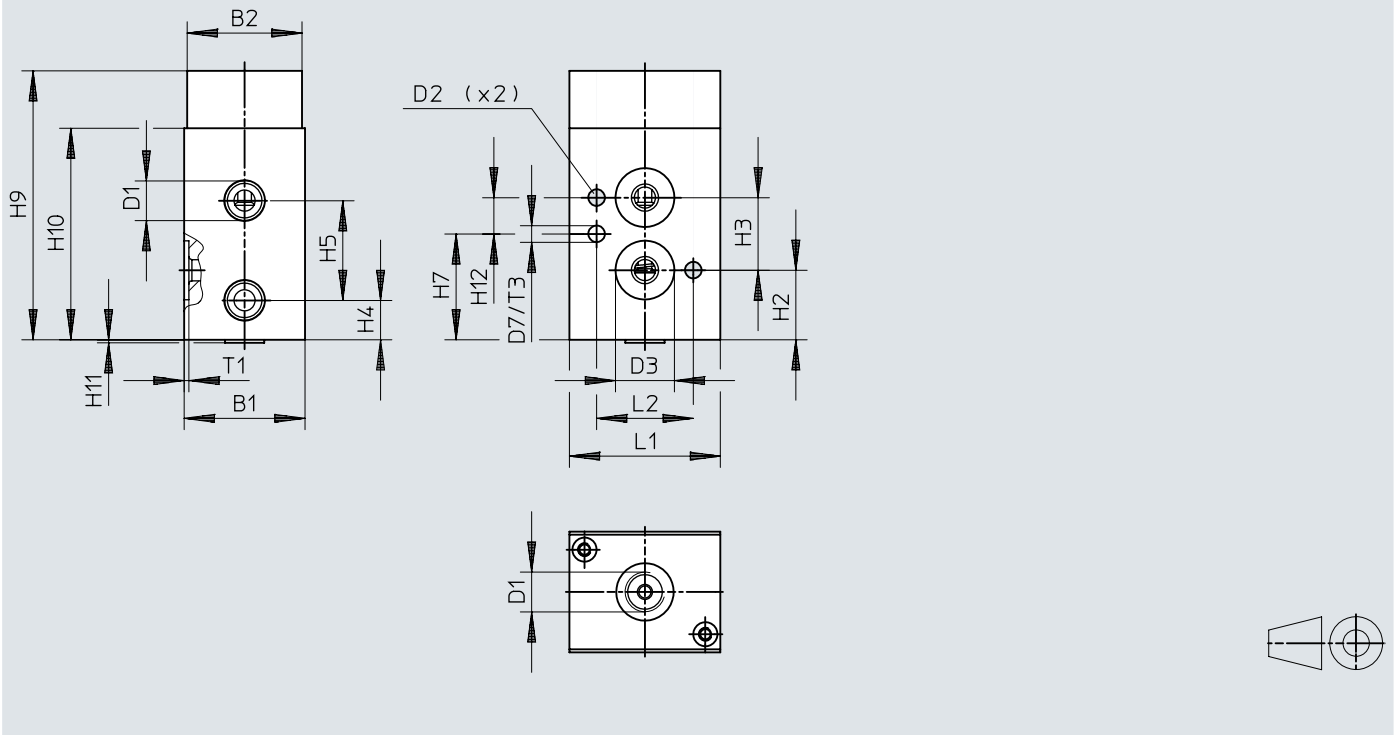
Material, 5/2-way valve, piston spool, double solenoid, G1/4 NAMUR

Material housing	Ematal coated aluminium
Material seals	NBR
Note on materials	RoHS compliant
LABS (PWIS) conformity	VDMA24364 zone III

Dimensions

Dimensions – 3/2-way valves (without armature tube), interface -SG14/-SN14

Download CAD data www.festo.com

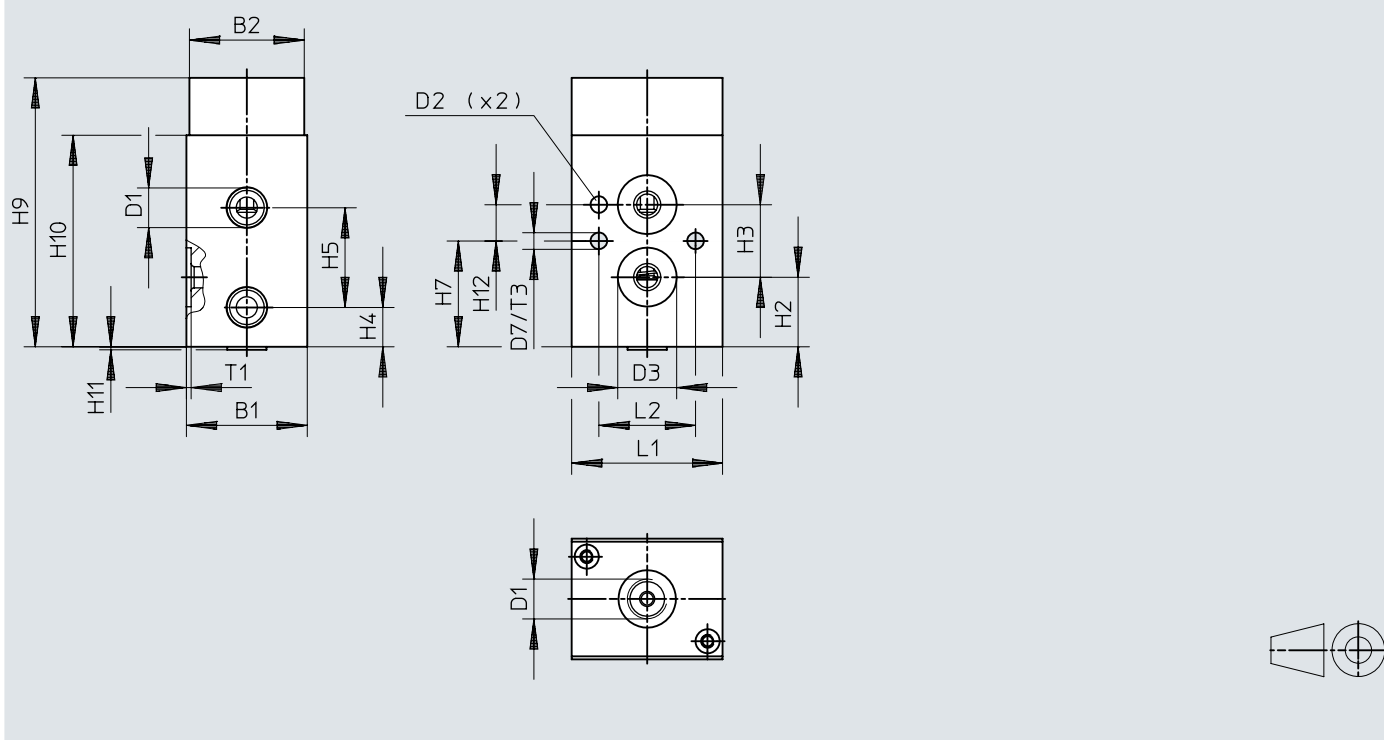


	B1	B2	D1	D2 ∅	D3 ∅	D7 ∅	H2	H3	H4	
VOFC-L-M32-MZ-FG14-SG14-...	40	38	G1/4	5,5	19,5	5,5	23	24	13	
VOFC-L-M32-MZ-FN14-SN14-...			1/4 NPT							
	H5	H7	H9	H10	H11	H12	L1	L2	T1	T3
VOFC-L-M32-MZ-FG14-SG14-...	33	35	89	70	1	12	50	32	1,6	3
VOFC-L-M32-MZ-FN14-SN14-...										

Dimensions

Dimensions – 5/2-way valves (without armature tube), interface -SG14/-SN14

Download CAD data www.festo.com



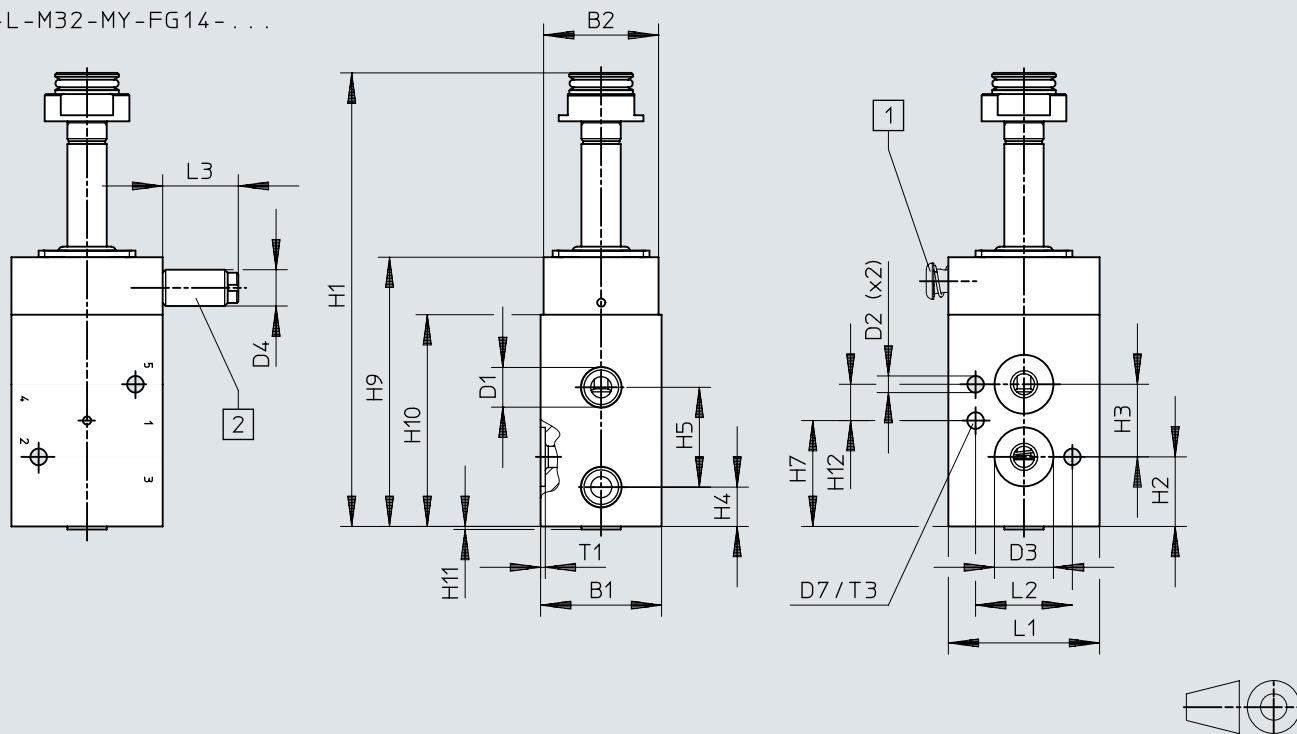
	B1	B2	D1	D2 ∅	D3 ∅	D7 ∅	H2	H3	H4	
VOFC-L-M52-MZ-FG14-SG14-...	40	38	G1/4	5,5	19,5	5,5	23	24	13	
VOFC-L-M52-MZ-FN14-SN14-...			1/4 NPT							
	H5	H7	H9	H10	H11	H12	L1	L2	T1	T3
VOFC-L-M52-MZ-FG14-SG14-...	22	47	89	70	1	12	50	32	1,6	3
VOFC-L-M52-MZ-FN14-SN14-...										

Dimensions

Dimensions – 3/2-way valves, basic valve

Download CAD data www.festo.com

VOFC-L-M32-MY-FG14-...



[1] Manual override, non-detenting (VOFC-L-M32-MH- ...)

[2] Manual override, detenting (VOFC-L-M32-MY- ...)

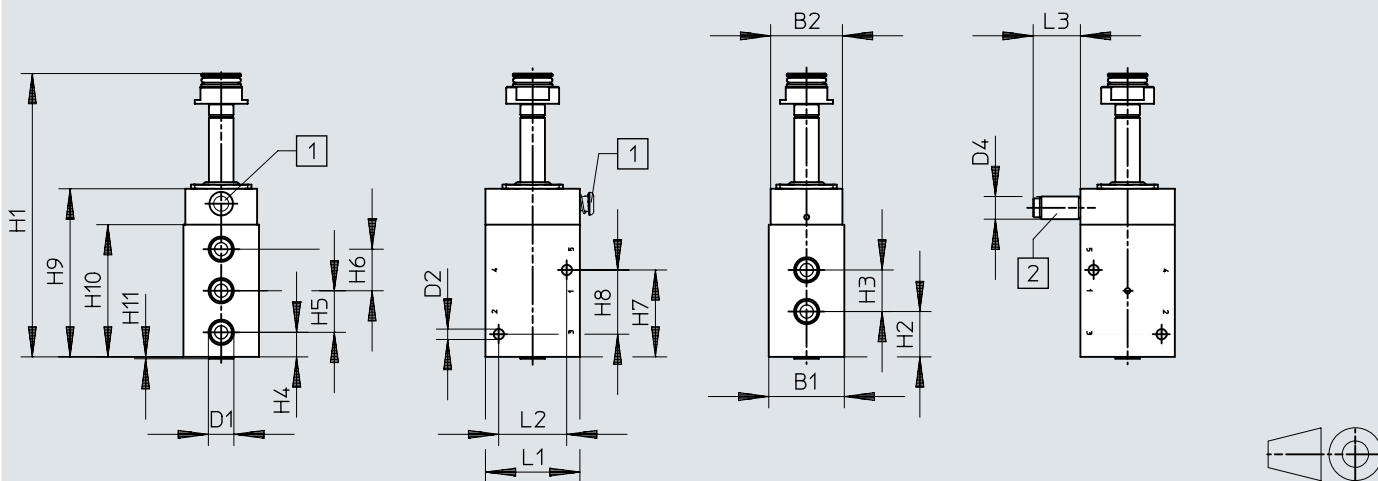
	B1	B2	D1	D2 ∅	D3 ∅	D4 ∅	H1	H2	H3	H4
VOFC-L-M32-M-FG14-...	40	38	G1/4	5,5	19,5	-	150	23	24	13
VOFC-L-M32-MH-FG14-...						12				
VOFC-L-M32-MY-FG14-...						12				
	H5	H7	H9	H10	H11	H12	L1	L2	L3	T1
VOFC-L-M32-M-FG14-...	33	35	89	70	1	12	50	32	-	1,6
VOFC-L-M32-MH-FG14-...									25	
VOFC-L-M32-MY-FG14-...									25	

Dimensions

Dimensions – 5/2-way valves, basic valve, connection -G14/-N14

Download CAD data www.festo.com

VOFC-L-M52-MY- . . .



[1] Manual override, non-detenting (VOFC-L-M32-MH- ...)

[2] Manual override, detenting (VOFC-L-M32-MY- ...)

	B1	B2	D1	D2 ∅	D4 ∅	H1	H2	H3	H4
VOFC-L-M52-M-G14-...	40	38	G1/4	5,5	-	150	24	22	13
VOFC-L-M52-MH-G14-...			1/4 NPT						
VOFC-L-M52-M-N14-...			G1/4		12				
VOFC-L-M52-MH-N14-...									
VOFC-L-M52-MY-G14-...									

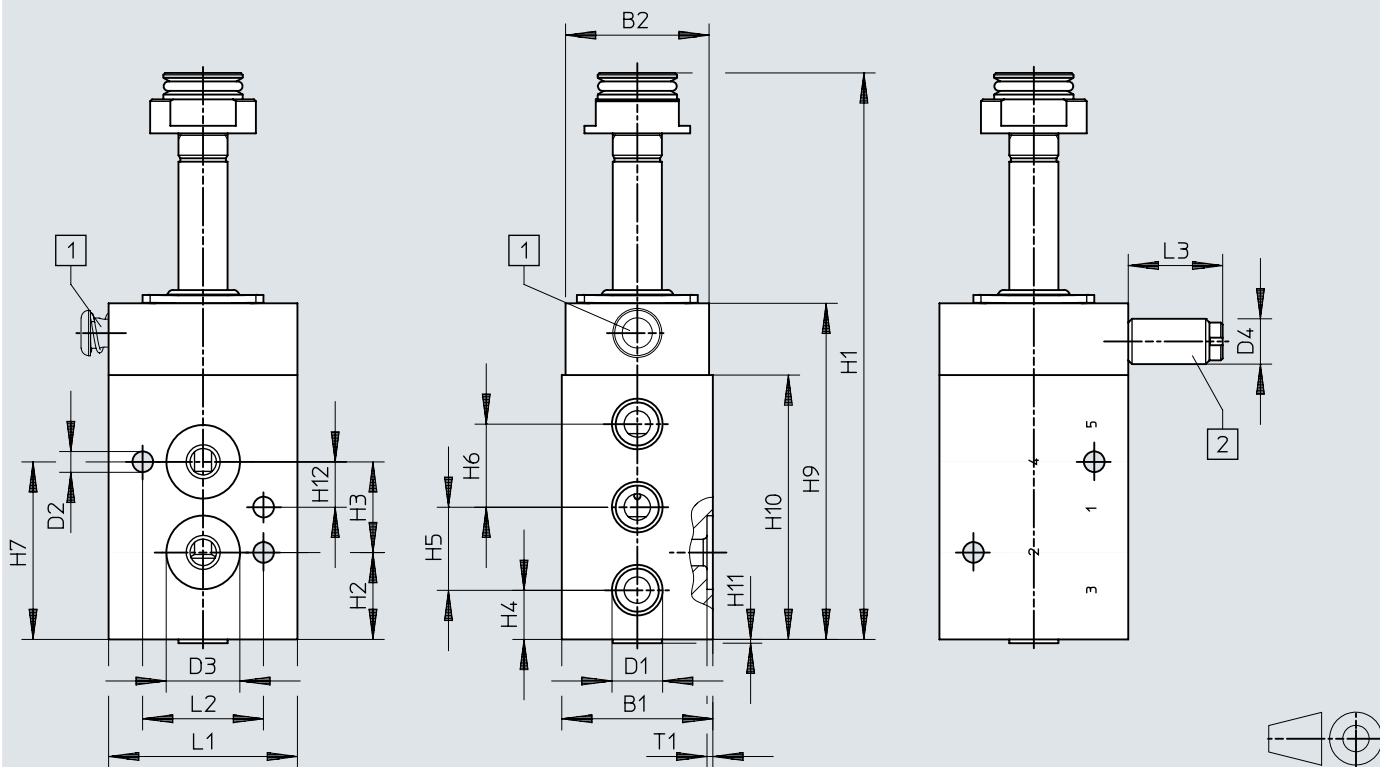
	H5	H6	H7	H8	H9	H10	H11	L1	L2	L3
VOFC-L-M52-M-G14-...	22	22	46	34	89	70	1	50	36	-
VOFC-L-M52-MH-G14-...										
VOFC-L-M52-M-N14-...										
VOFC-L-M52-MH-N14-...										
VOFC-L-M52-MY-G14-...										25

Dimensions

Dimensions – 5/2-way valves, basic valve, connection -FG14

Download CAD data www.festo.com

VOFC-L-M52-MY-FG14-...



[1] Manual override, non-detenting (VOFC-L-M32-MH- ...)

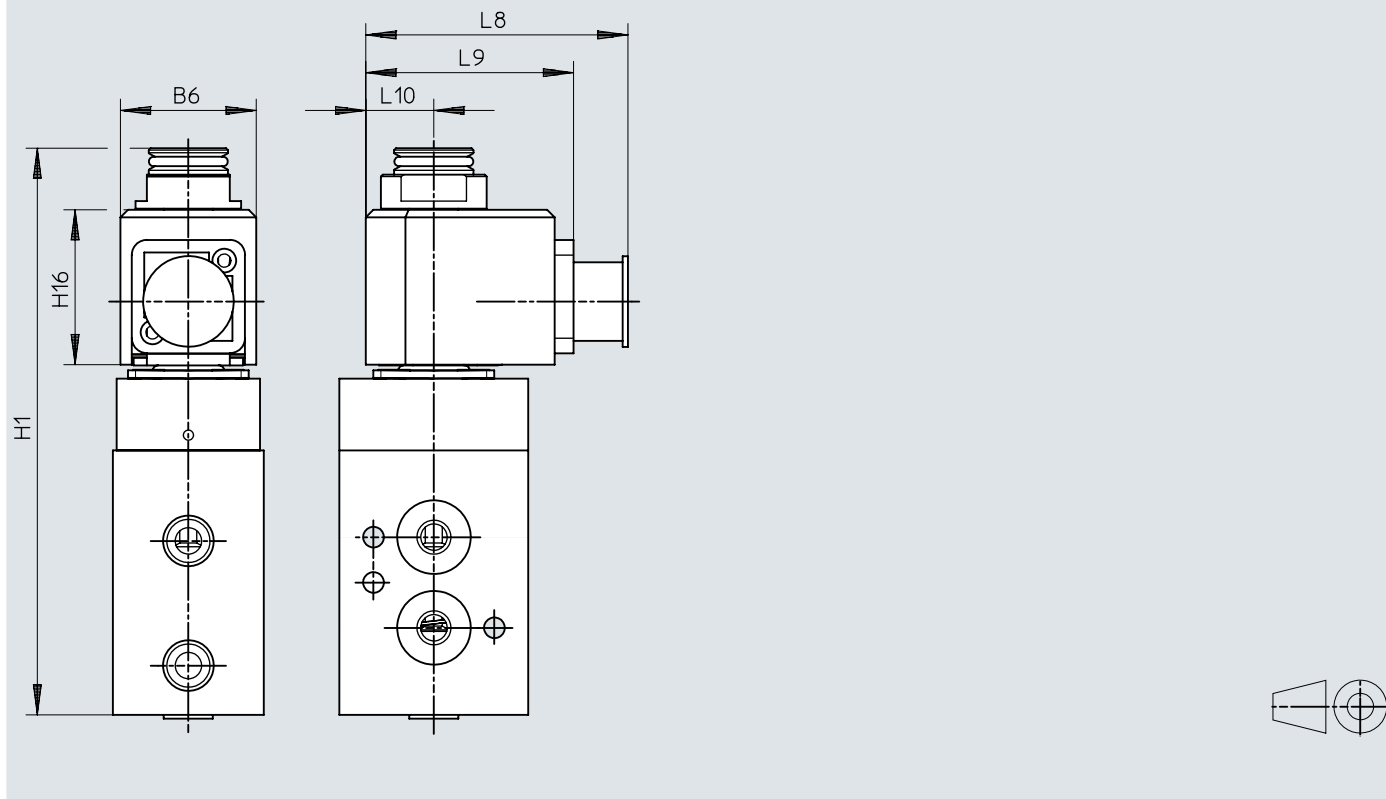
[2] Manual override, detenting (VOFC-L-M32-MY- ...)

	B1	B2	D1	D2 ∅	D3 ∅	D4 ∅	H1	H2	H3	H4
VOFC-L-M52-M-FG14-...	40	38	G1/4	5,5	19,5	-	150	23	24	13
VOFC-L-M52-MH-FG14-...						12				
VOFC-L-M52-MY-FG14-...						12				

	H5	H6	H7	H9	H10	H11	H12	L1	L2	L3	T1
VOFC-L-M52-M-FG14-...	22	22	47	89	70	1	12	50	32	-	1,6
VOFC-L-M52-MH-FG14-...										25	
VOFC-L-M52-MY-FG14-...										25	

Dimensions

Dimensions – Single solenoid valves with solenoid coil, VOFC-...-18-A1-...

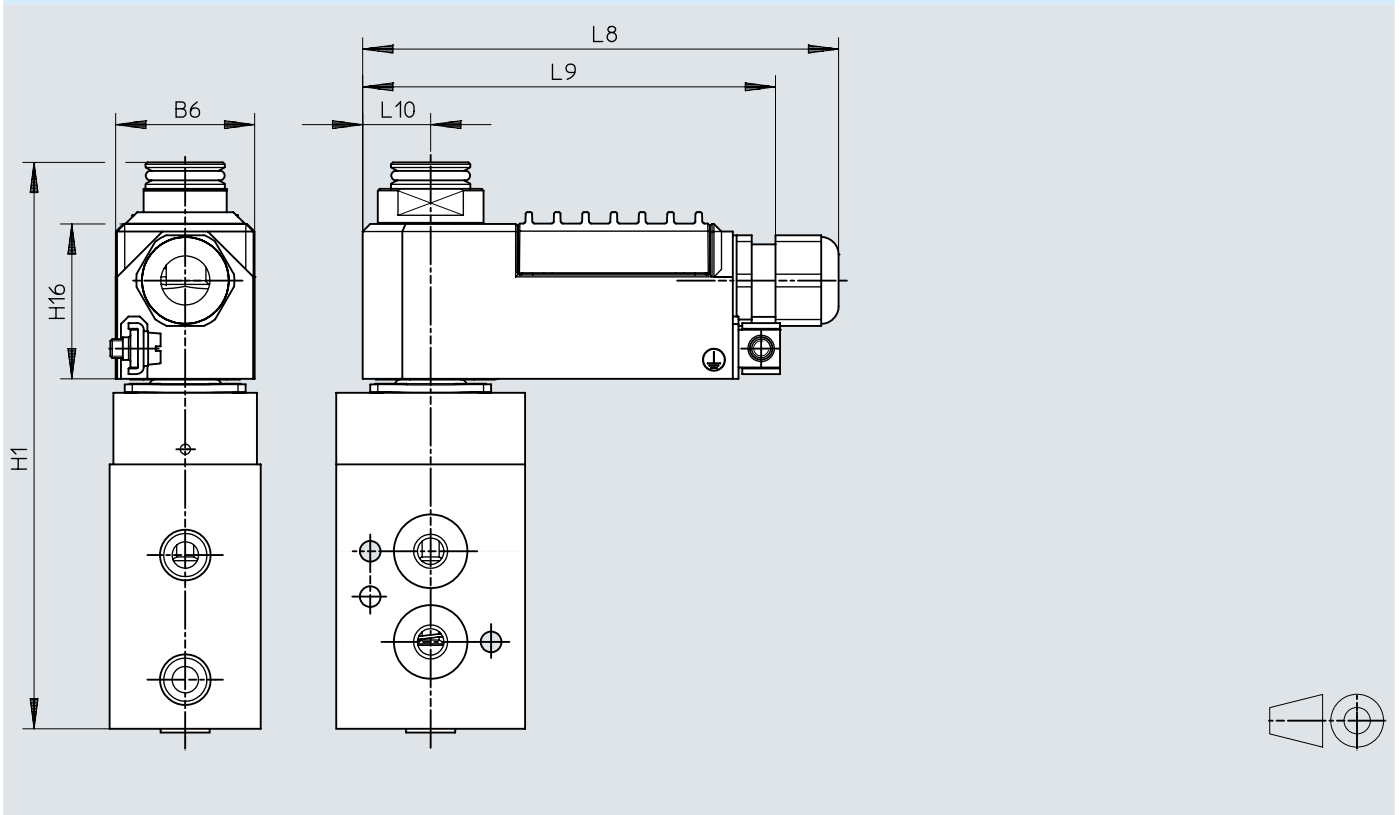
Download CAD data www.festo.com

	B6	H1	H16	L8	L9	L10
VOFC-...-18-A1-...	36	150	41	69,4	55	18

Dimensions

Dimensions – Single solenoid valves with solenoid coil, VOFC-...-18-K4-...-EX4ME

Download CAD data www.festo.com

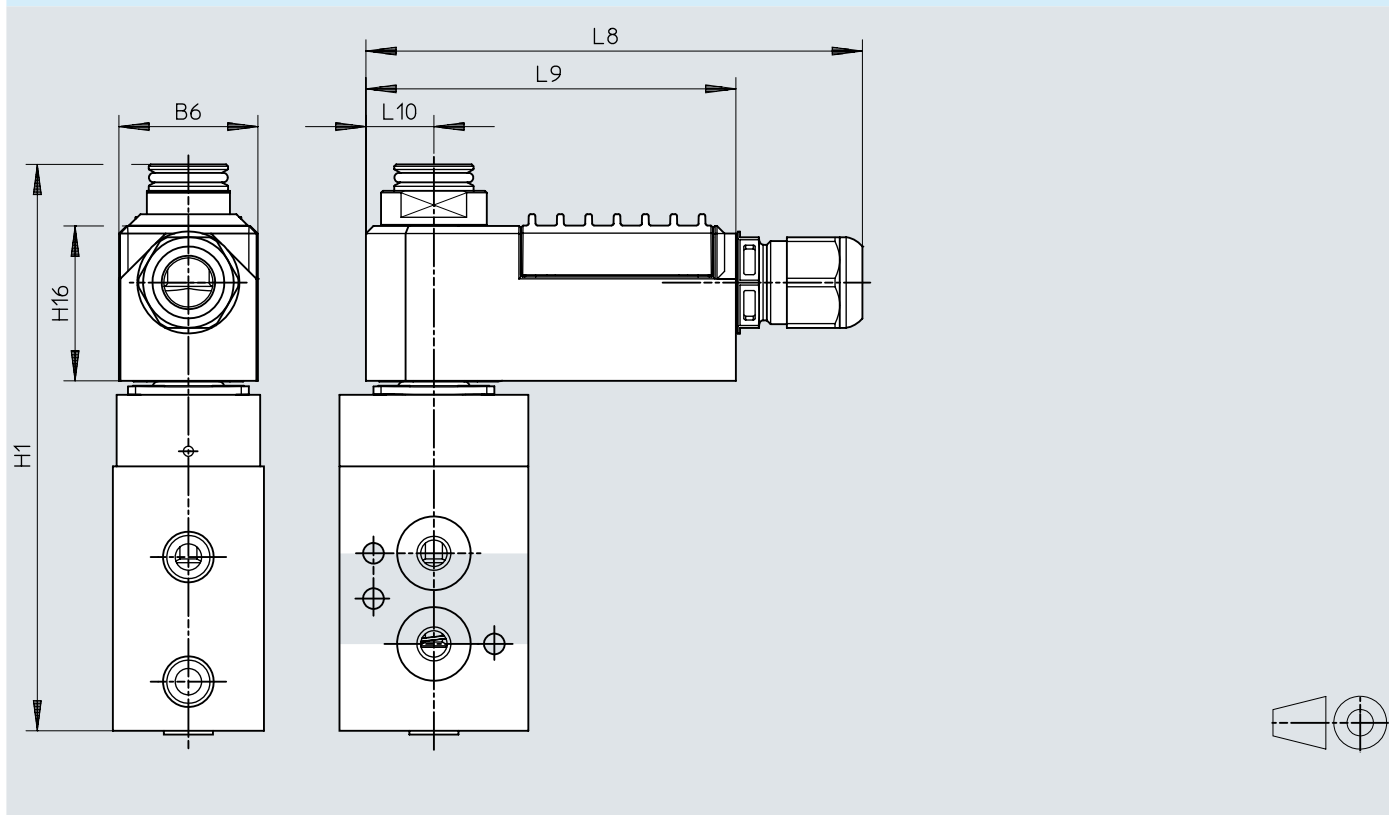


	B6	H1	H16	L8	L9	L10
VOFC-...-18-K4-...-EX4ME	37	150	41	125	111	18

Dimensions

Dimensions – Single solenoid valves with solenoid coil, VOFC-...-11-K4-1-EX4A

Download CAD data www.festo.com

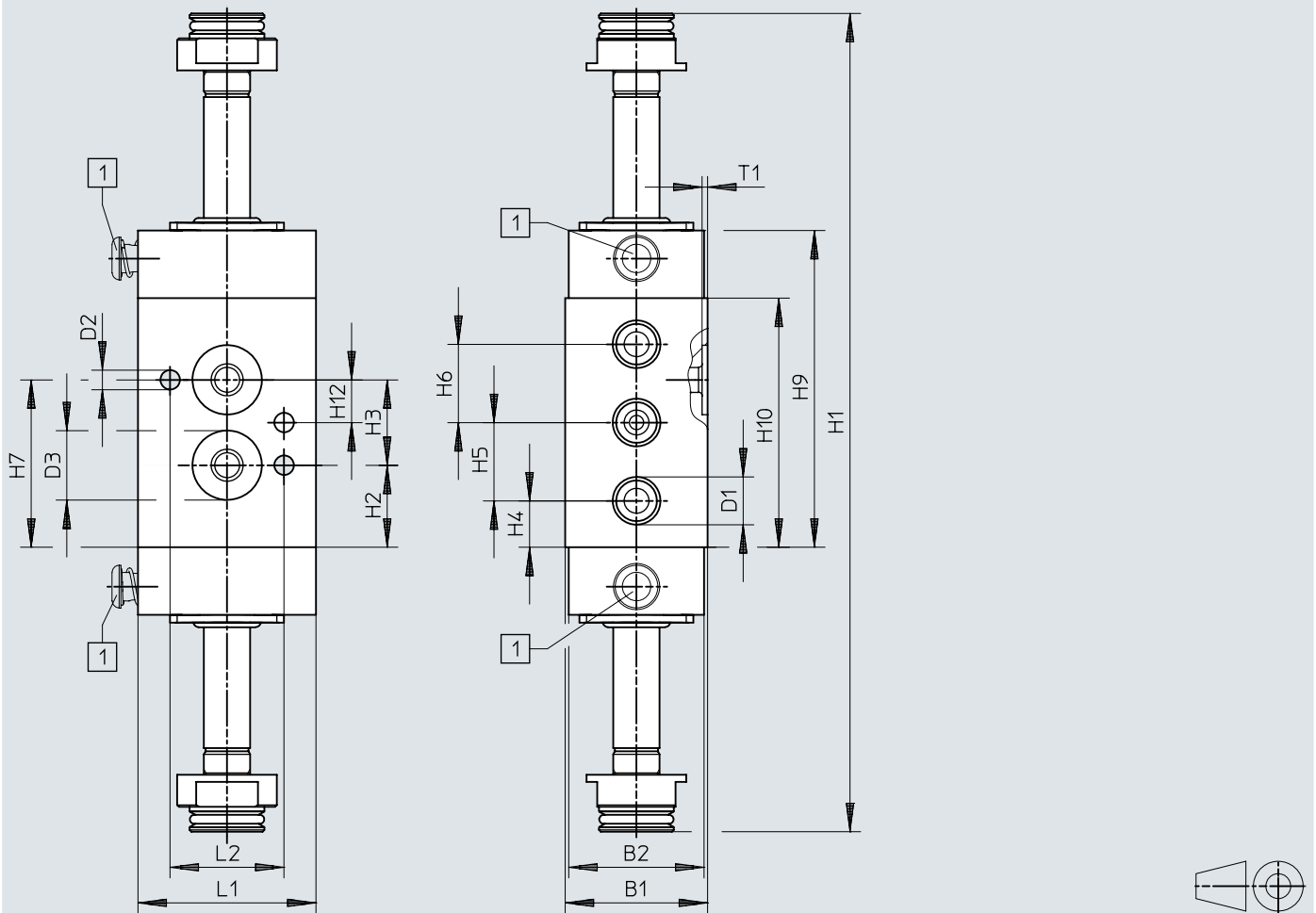


	B6	H1	H16	L8	L9	L10
VOFC-...-11-K4-1-EX4A	37	150	41	125	98	18

Dimensions

Dimensions – 5/2-way valves, bistable, basic valve, connection -FG

Download CAD data www.festo.com



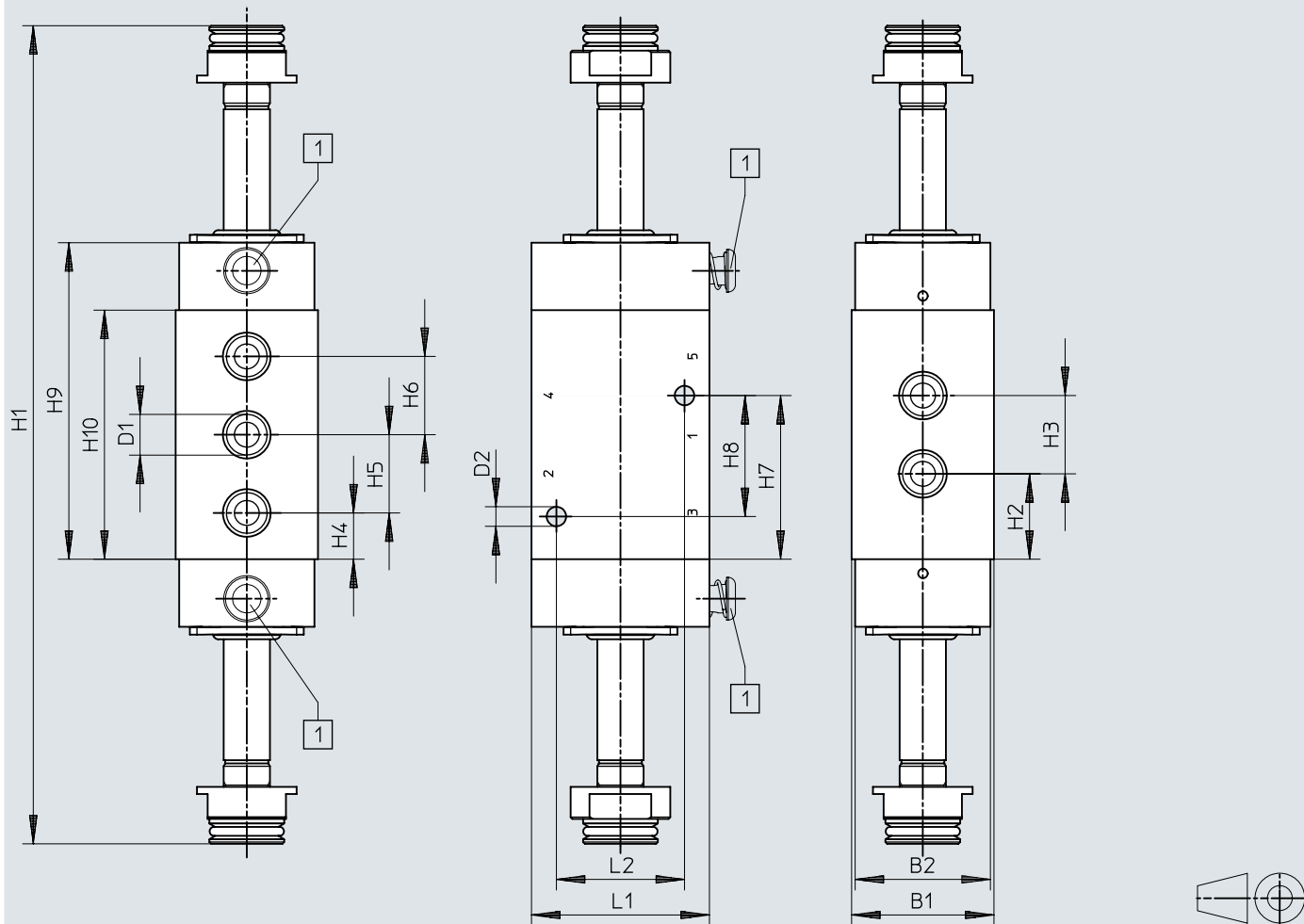
[1] Manual override, non-detenting (VOFC-L-B52-H- ...)

	B1	B2	D1	D2 ∅	D3 ∅	H1	H2	H3	H4	H5	H6	H7	H9	H10	H12	L1	L2	T1
VOFC-L-B52-...-FG14-...	40	38	G1/4	5,5	19,5	230	23	24	13	22	22	47	89	70	12	50	32	1,6
VOFC-L-B52-H-...-FG14-...																		

Dimensions

Dimensions – 5/2-way valves, bistable, basic valve, connection -G14/-N14

Download CAD data www.festo.com



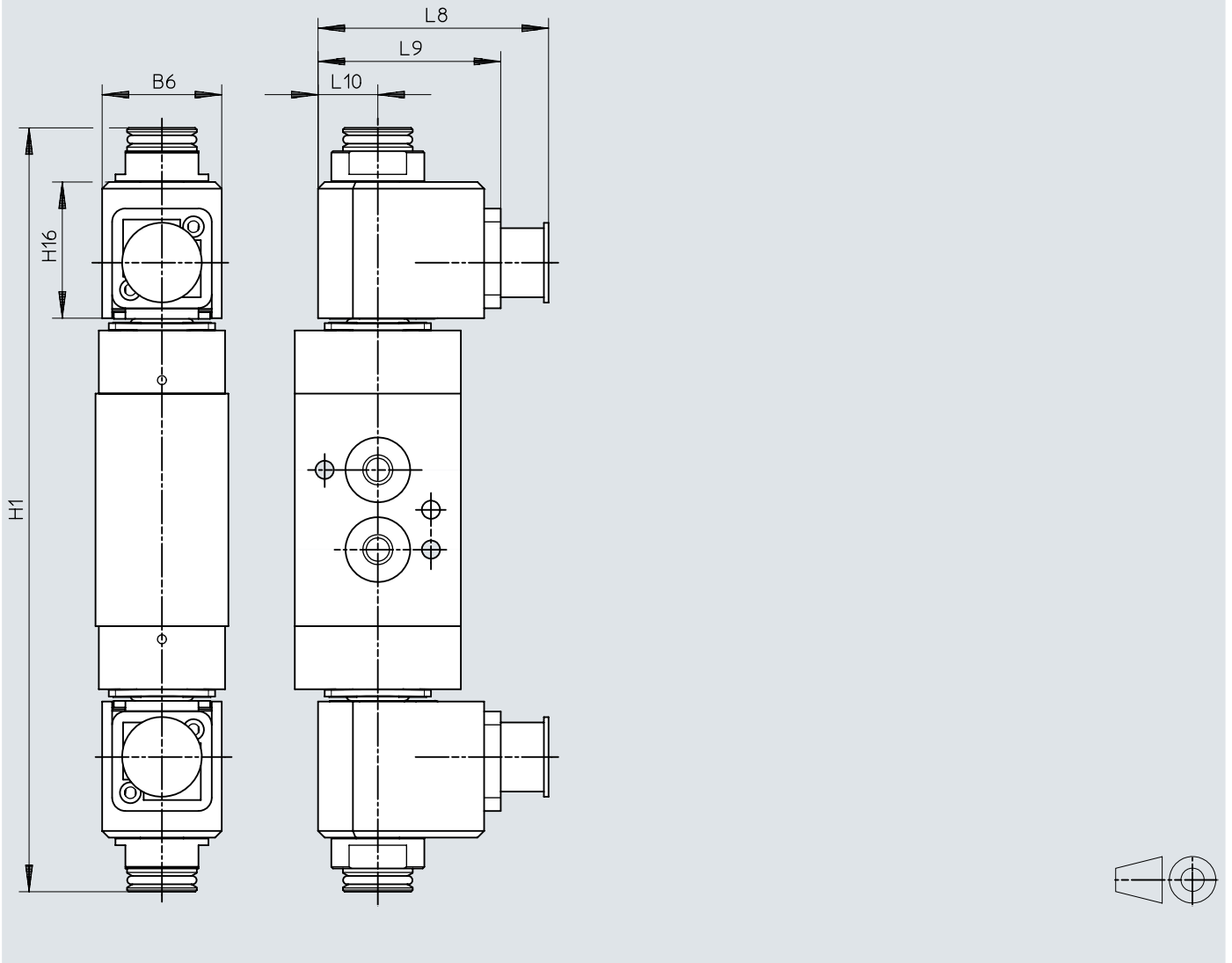
[1] Manual override, non-detenting (VOFC-L-B52-H- ...)

	B1	B2	D1	D2 ∅	H1	H2	H3	H4
VOFC-L-B52-...-G14-...	40	38	G1/4	5,5	230	24	22	13
VOFC-L-B52-H-G14-...			1/4 NPT					
VOFC-L-B52-...-N14-...								
VOFC-L-B52-H-N14-...								
	H5	H6	H7	H8	H9	H10	L1	L2
VOFC-L-B52-...-G14-...	22	22	46	34	89	70	50	36
VOFC-L-B52-H-G14-...								
VOFC-L-B52-...-N14-...								
VOFC-L-B52-H-N14-...								

Dimensions

Dimensions – Double solenoid valves with solenoid coil, VOFC...-18-A1-...

Download CAD data www.festo.com

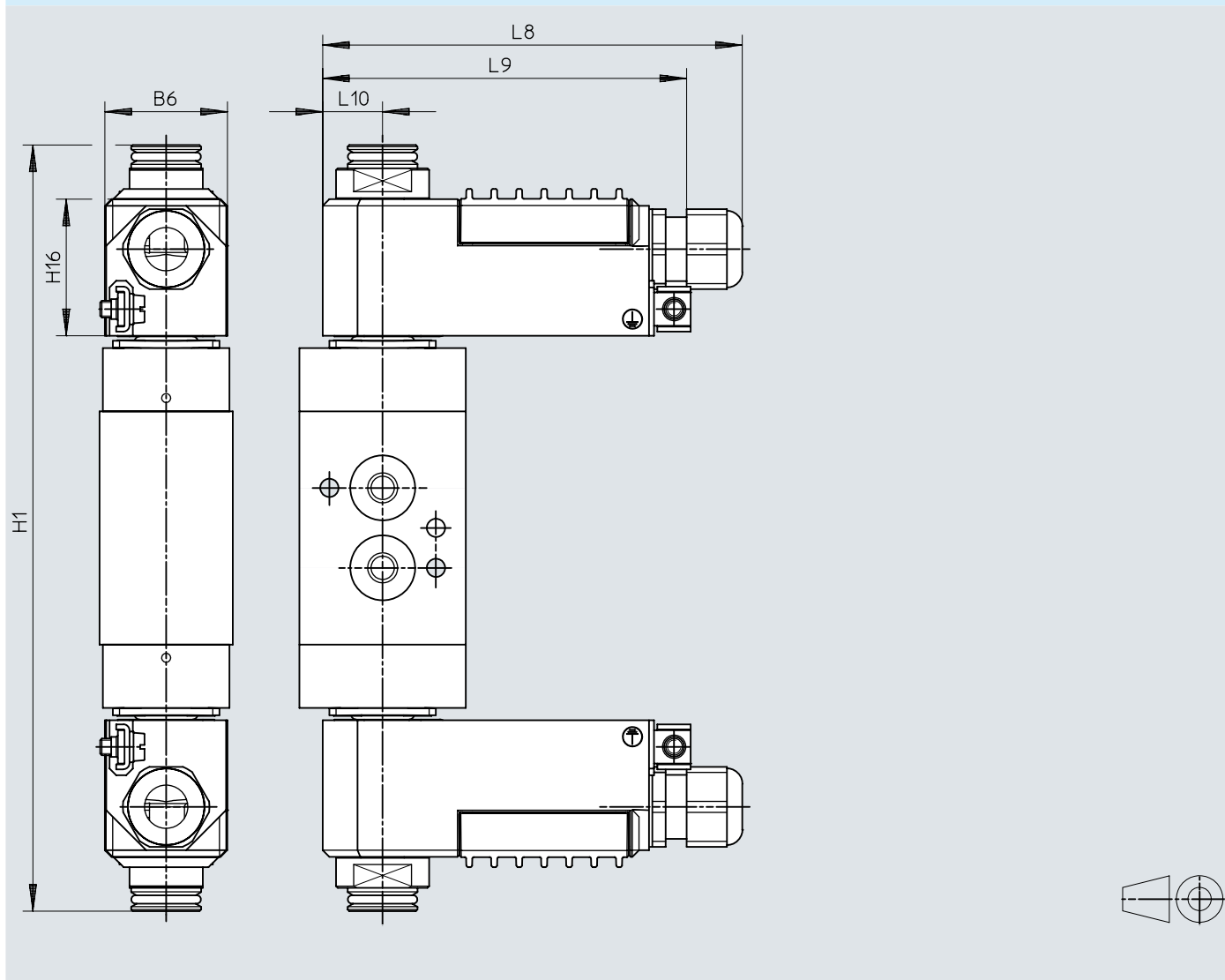


	B6	H1	H16	L8	L9	L10
VOFC...-18-A1-...	36	230	41	69,4	55	18

Dimensions

Dimensions – Double solenoid valves with solenoid coil, VOFC-...-18-K4-...-EX4ME

Download CAD data www.festo.com

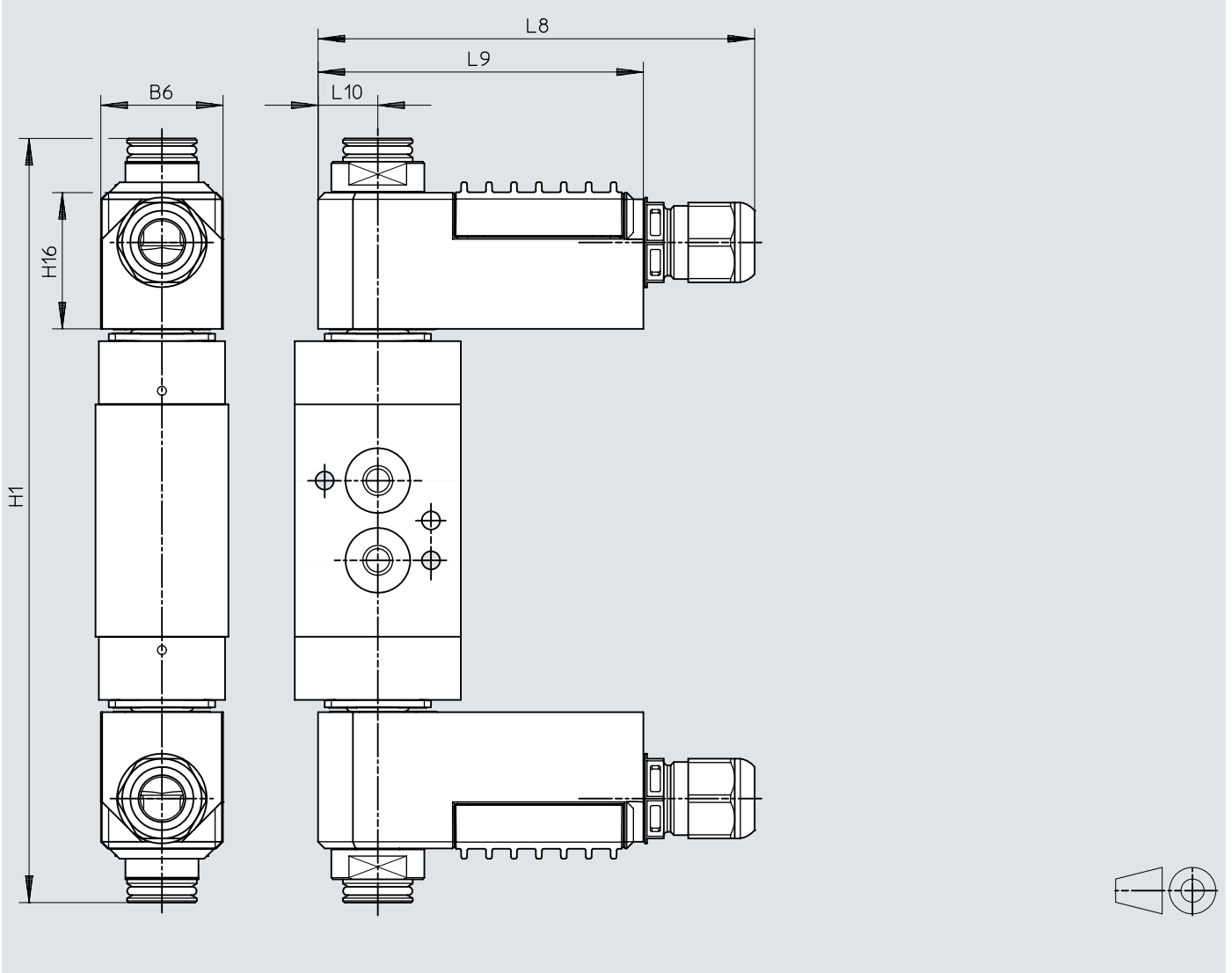


	B6	H1	H16	L8	L9	L10
VOFC-...-18-K4-...-EX4ME	37	230	41	125	111	18

Dimensions

Dimensions – Double solenoid valves with solenoid coil, VOFC...-11-K4-1-EX4A

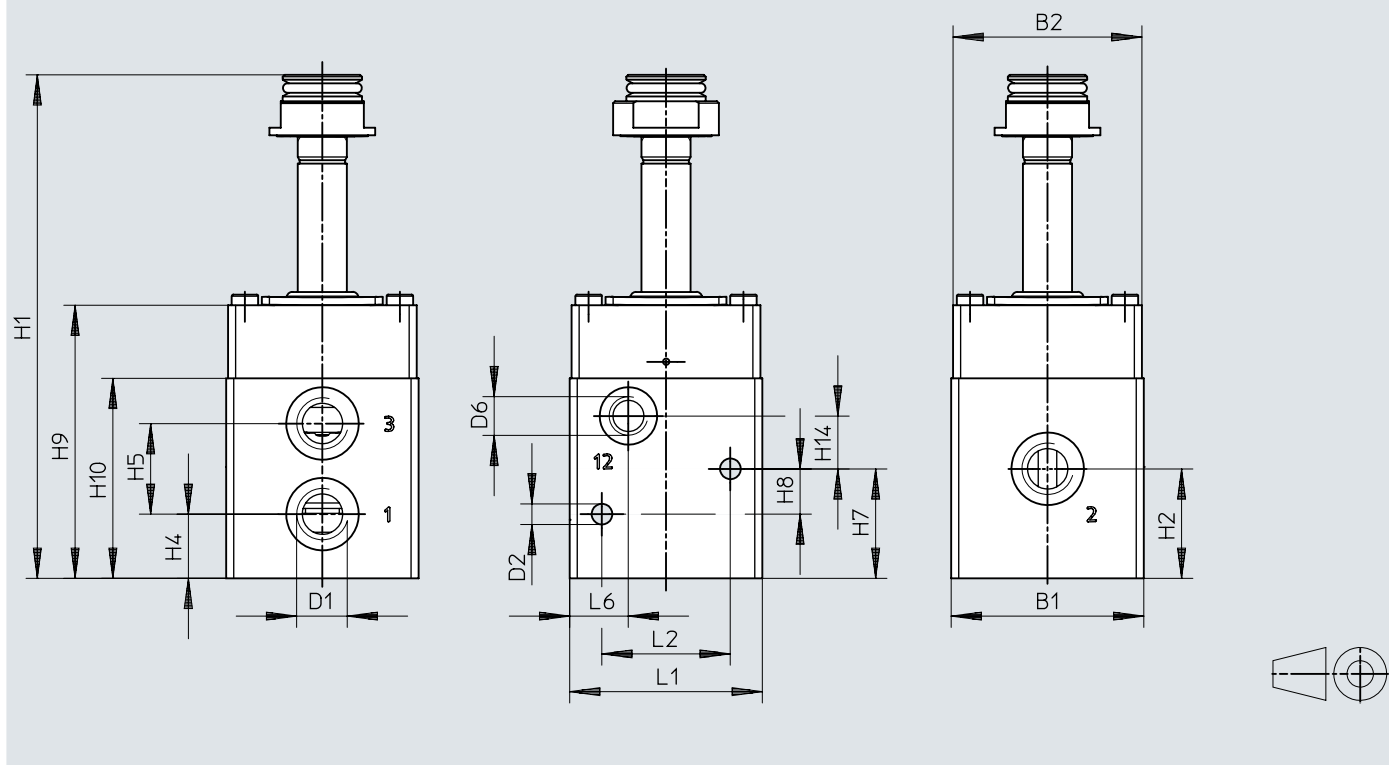
Download CAD data www.festo.com



	B6	H1	H16	L8	L9	L10
VOFC...-11-K4-1-EX4A	37	230	41	125	98	18

Dimensions

Dimensions – 3/2-way valves, basic valve, connection -G14/-N14

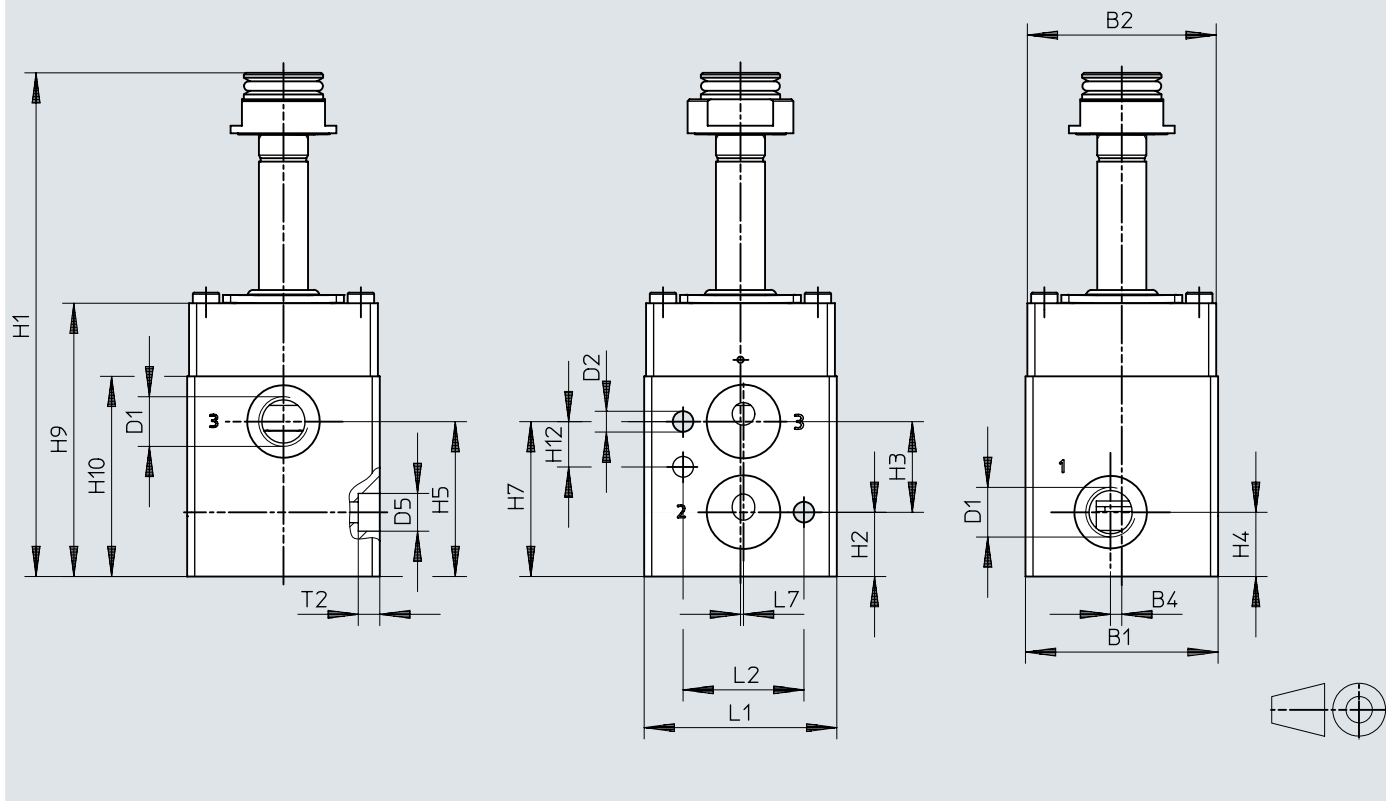
Download CAD data www.festo.com

	B1	B2	D1	D2 ∅	H1	H2	H4	H5
VOFC-LT-M32C-MC-G14-...	51	50	G1/4	5,5	133	29	17	24
VOFC-LT-M32C-MC-N14-...			1/4 NPT					
	H7	H8	H9	H10	H14	L1	L2	L6
VOFC-LT-M32C-MC-G14-...	29	12	72	53	14	51	34	15,5
VOFC-LT-M32C-MC-N14-...								

Dimensions

Dimensions – 3/2-way valves, basic valve, connection -FG14

Download CAD data www.festo.com

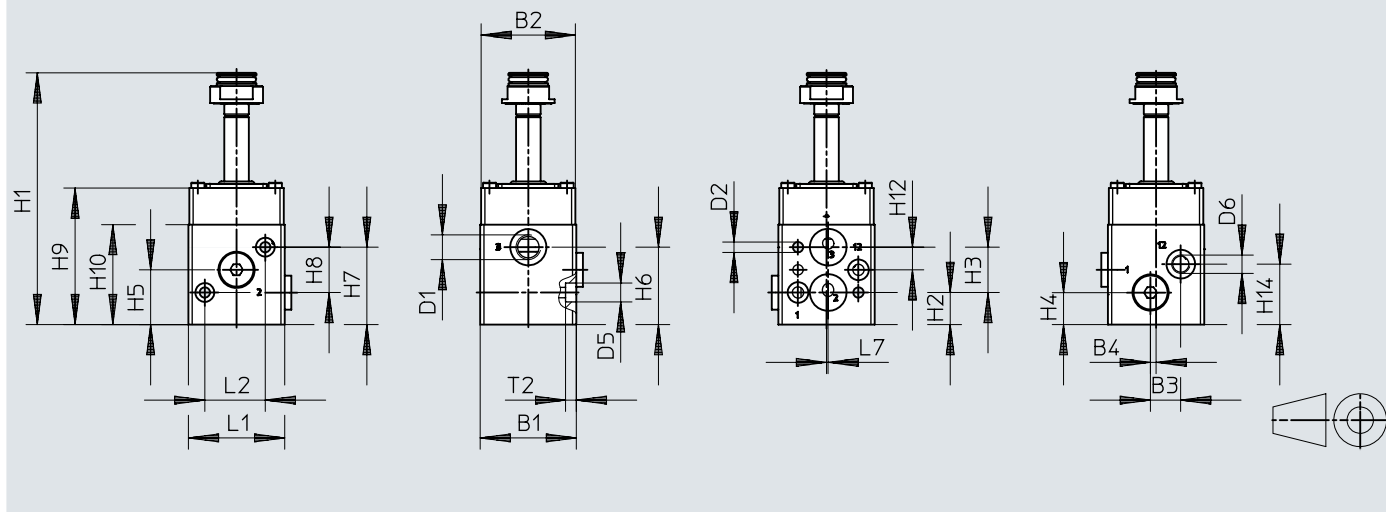


	B1	B2	B4	D1	D2 ø	D5 ø	H1	H2	H3	H4
VOFC-LT-M32C-M-FG14-...	51	50	3	G1/4	5,5	10	133	17	24	17

	H5	H7	H9	H10	H12	L1	L2	L7	T2
VOFC-LT-M32C-M-FG14-...	41	41	72	53	12	51	32	0,8	5,7

Dimensions

Dimensions – 3/2-way valves, basic valve, connection -FGP14

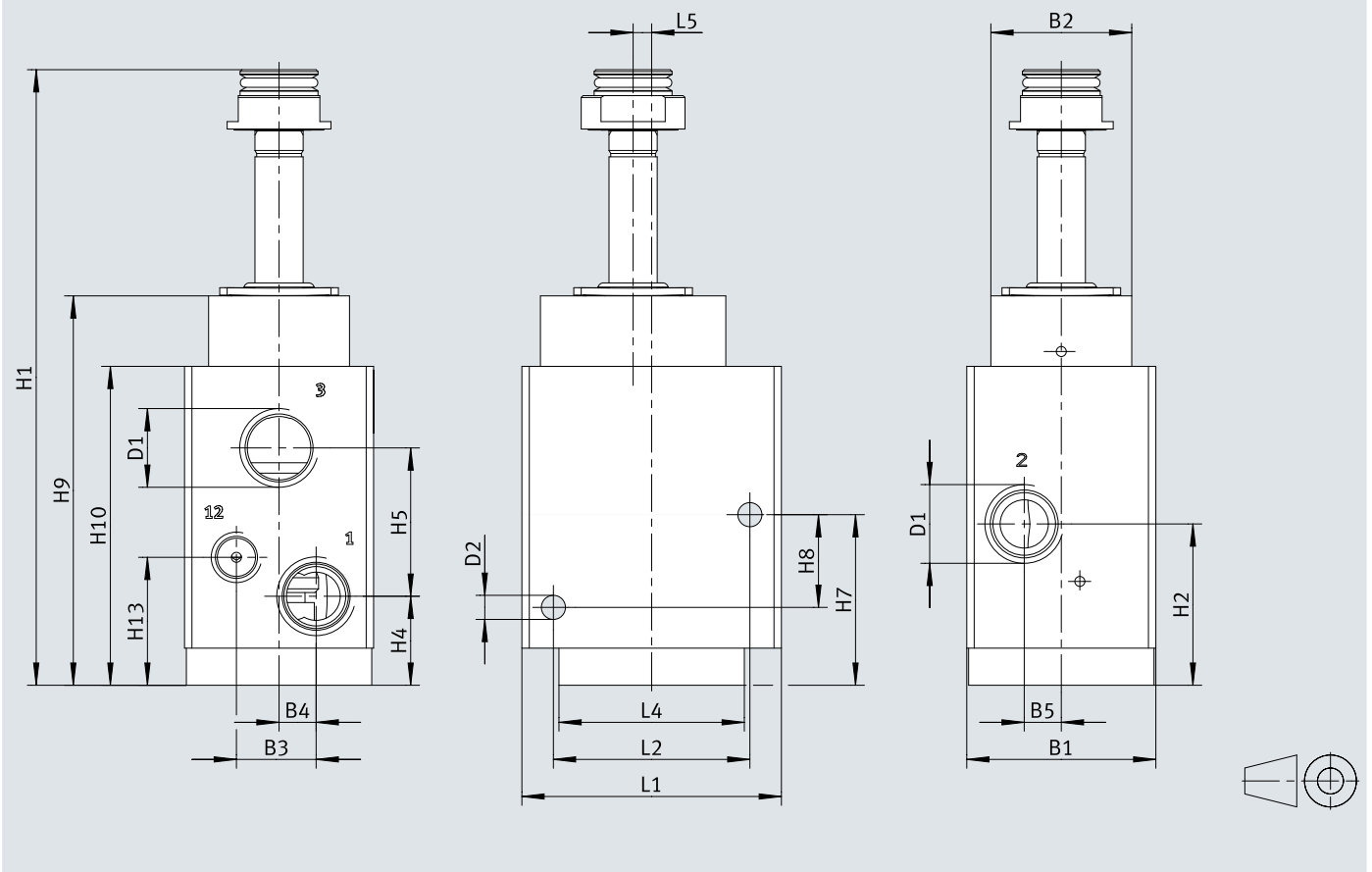
Download CAD data www.festo.com

	B1	B2	B3	B4	D1	D2 ∅	D5 ∅	D6	H1	H2	H3	H4
VOFC-LT-M32C-M-FGP14-...	51	50	16	3	G1/4	5,5	10	G1/8	133	17	24	17
	H5	H6	H7	H8	H9	H10	H12	H14	L1	L2	L7	T2
VOFC-LT-M32C-M-FGP14-...	29	41	41	24	72	53	12	32	51	32	0,8	5,7

Dimensions

Dimensions – 3/2-way valves, basic valve, connection -G12/-N12

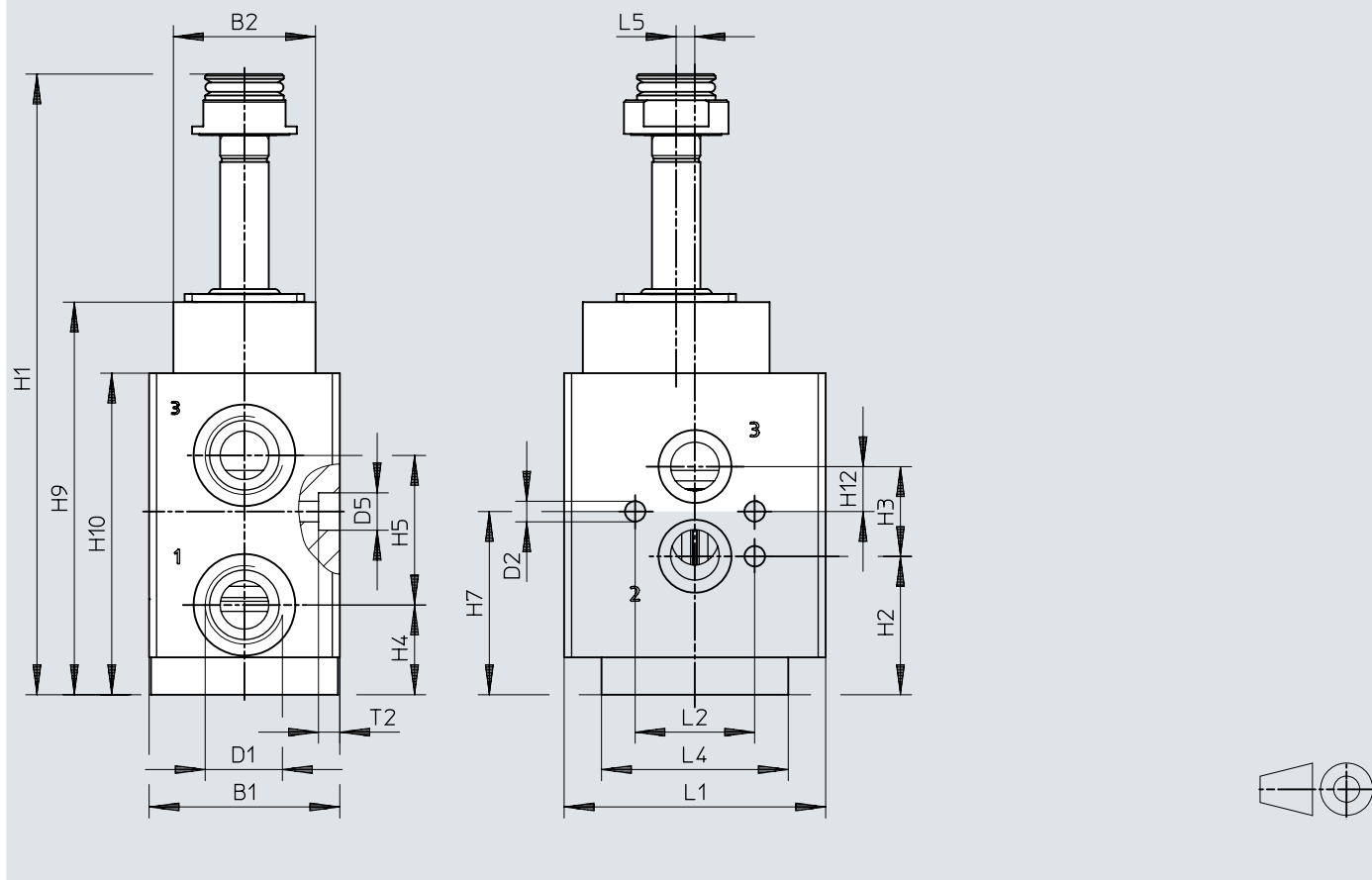
Download CAD data www.festo.com



	B1	B2	B3	B4	B5	D1	D2 ∅	H1	H2	H4
VOFC-LT-M32C-MC-G12-...	51	38	22	10	10	G1/2	5,5	166	43,5	24
VOFC-LT-M32C-MC-N12-...						1/2 NPT				
	H5	H7	H8	H9	H10	H13	L1	L2	L4	L5
VOFC-LT-M32C-MC-G12-...	40	46	25	89	105	34,5	70	53	50	5
VOFC-LT-M32C-MC-N12-...										

Dimensions

Dimensions – 3/2-way valves, basic valve, connection -FG12

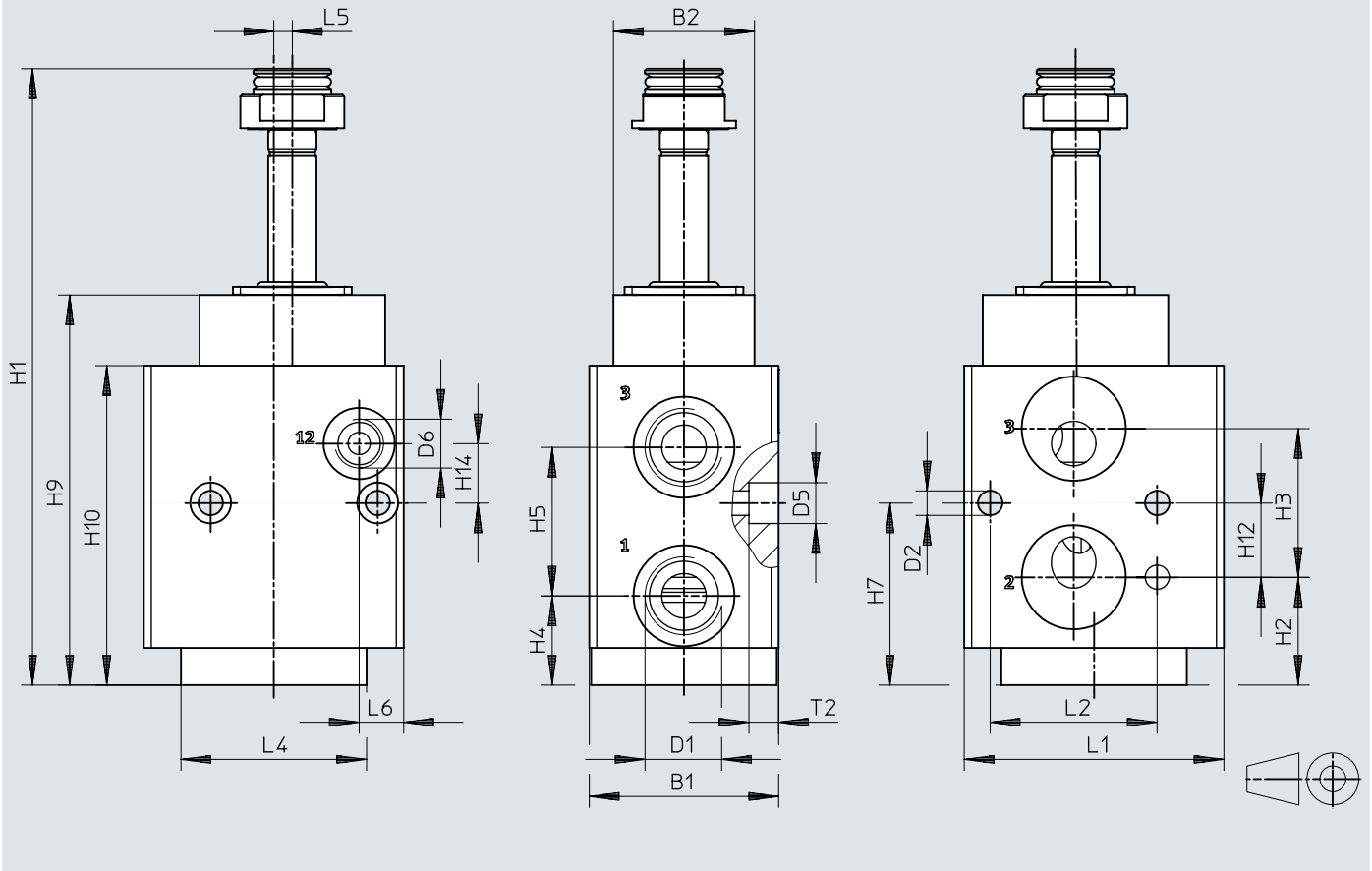
Download CAD data www.festo.com

	B1	B2	D1	D2 ∅	D5 ∅	H1	H2	H3	H4	H5
VOFC-LT-M32C-MC-FG12-...	51	38	G1/2	5,5	10	166	37	24	24	40
	H7	H9	H10	H12	L1	L2	L4	L5	T2	
VOFC-LT-M32C-MC-FG12-...	49	105	86	12	70	32	50	5	5,7	

Dimensions

Dimensions – 3/2-way valves, basic valve, connection -FG13

Download CAD data www.festo.com



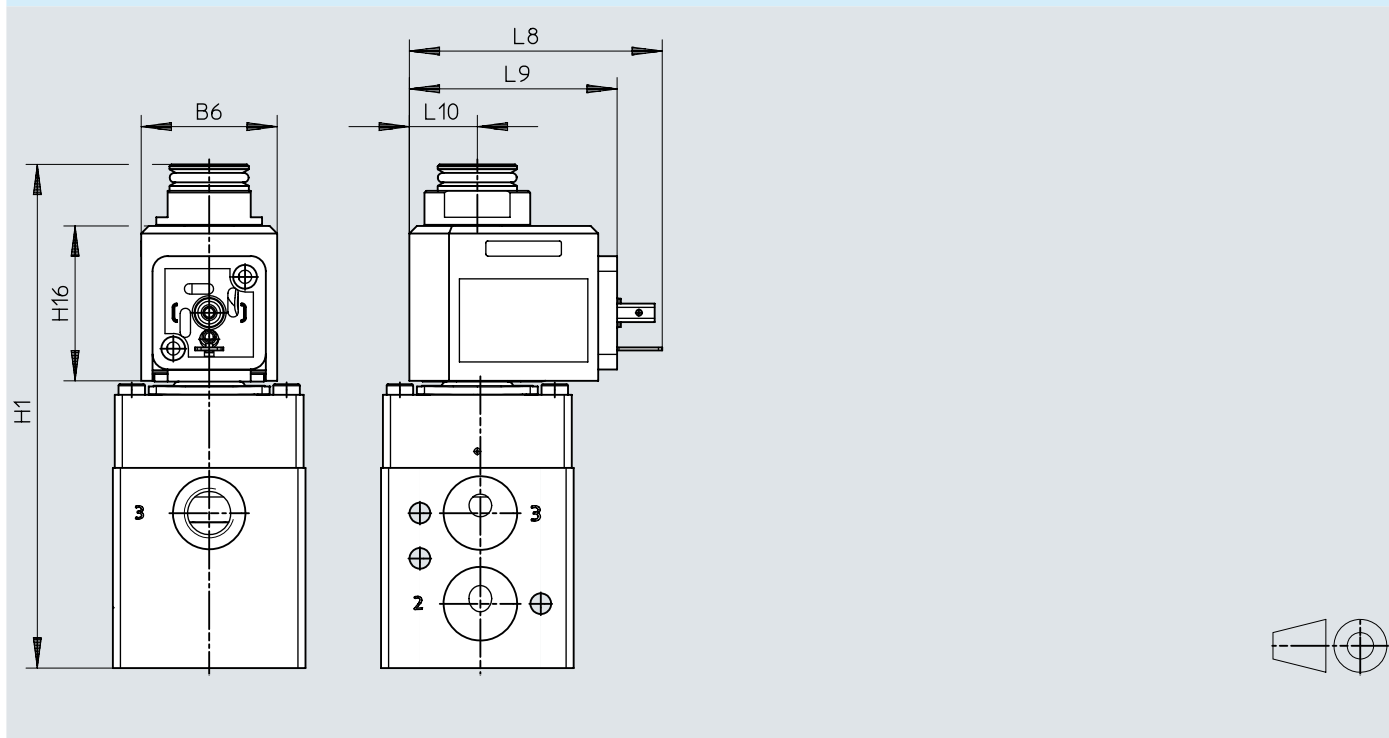
	B1	B2	D1	D2 ∅	D5 ∅	H1	H2	H3	H4	H5
VOFC-LT-M32C-M-FG13-...	51	38	G1/2	6,6	11	166	29	40	24	40

	H7	H9	H10	H12	H14	L1	L2	L4	L5	L6	T2
VOFC-LT-M32C-M-FG13-...	49	105	86	20	16	70	45	50	5	12	8

Dimensions

Dimensions – Valves with solenoid coil, pneumatic connection size 1/4",
VOFC-LT-...-18-A1-...

Download CAD data www.festo.com

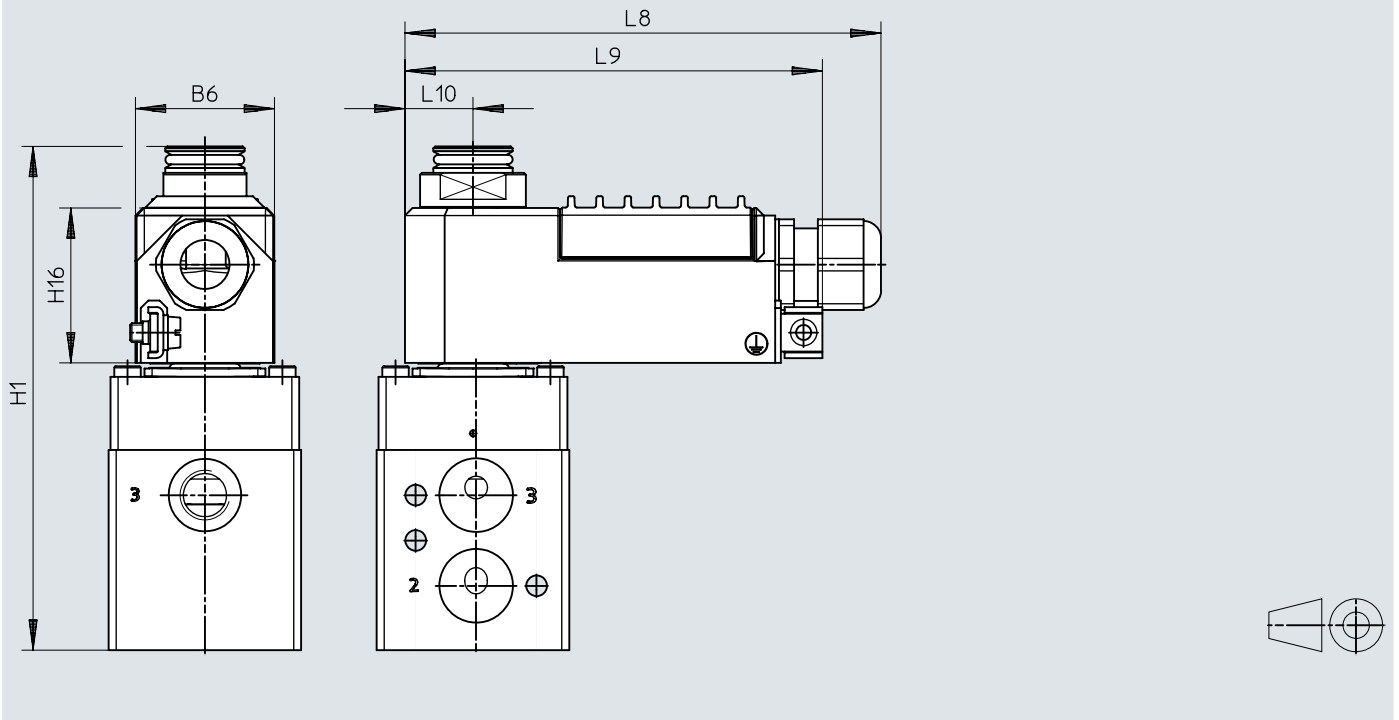


	B6	H1	H16	L8	L9	L10
VOFC-LT-...-18-A1-...	36	133	41	67	55	18

Dimensions

Dimensions – Valves with solenoid coil, pneumatic connection size 1/4",
VOFC-LT-...-18-K4-...-EX4ME

Download CAD data www.festo.com

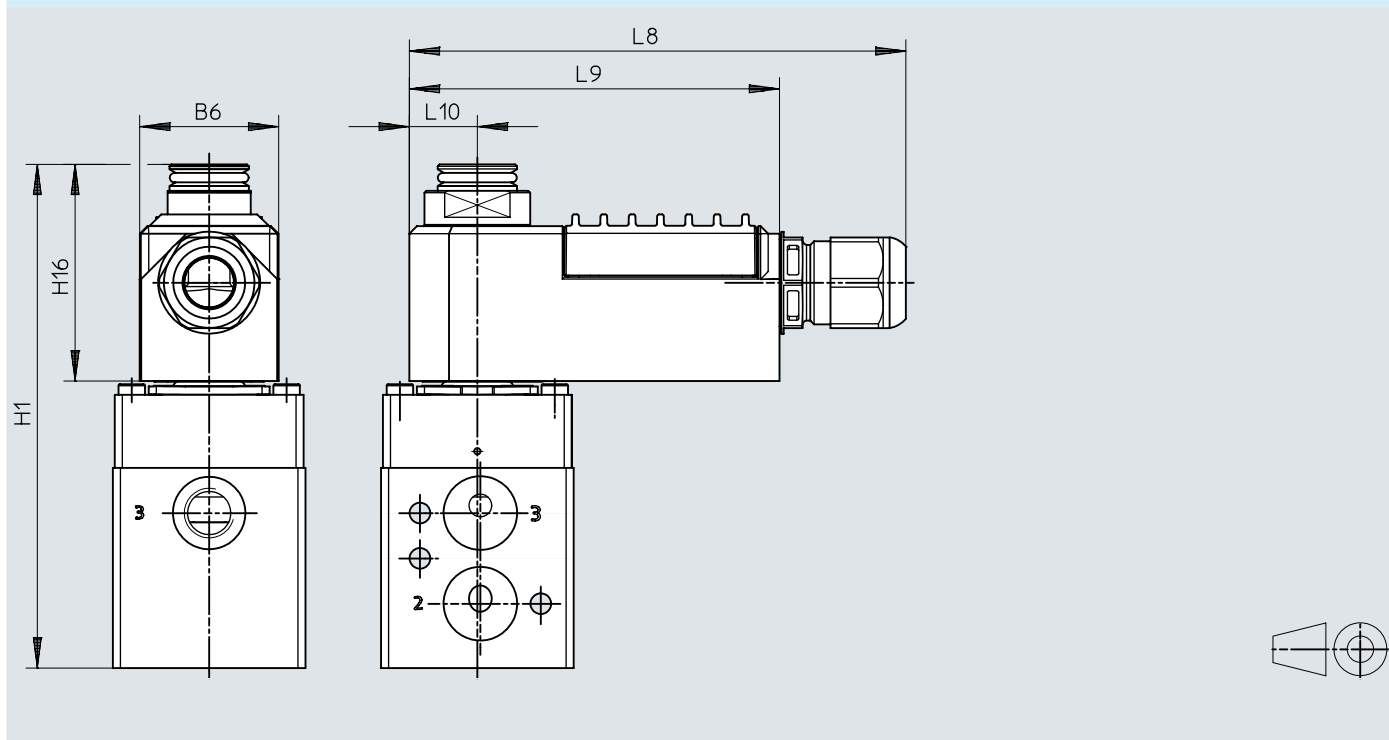


	B6	H1	H16	L8	L9	L10
VOFC-LT-...-18-K4-...-EX4ME	37	133	41	125	111	18

Dimensions

Dimensions – Valves with solenoid coil, pneumatic connection size 1/4",
VOFC-LT-...-11-K4-1-EX4A

Download CAD data www.festo.com

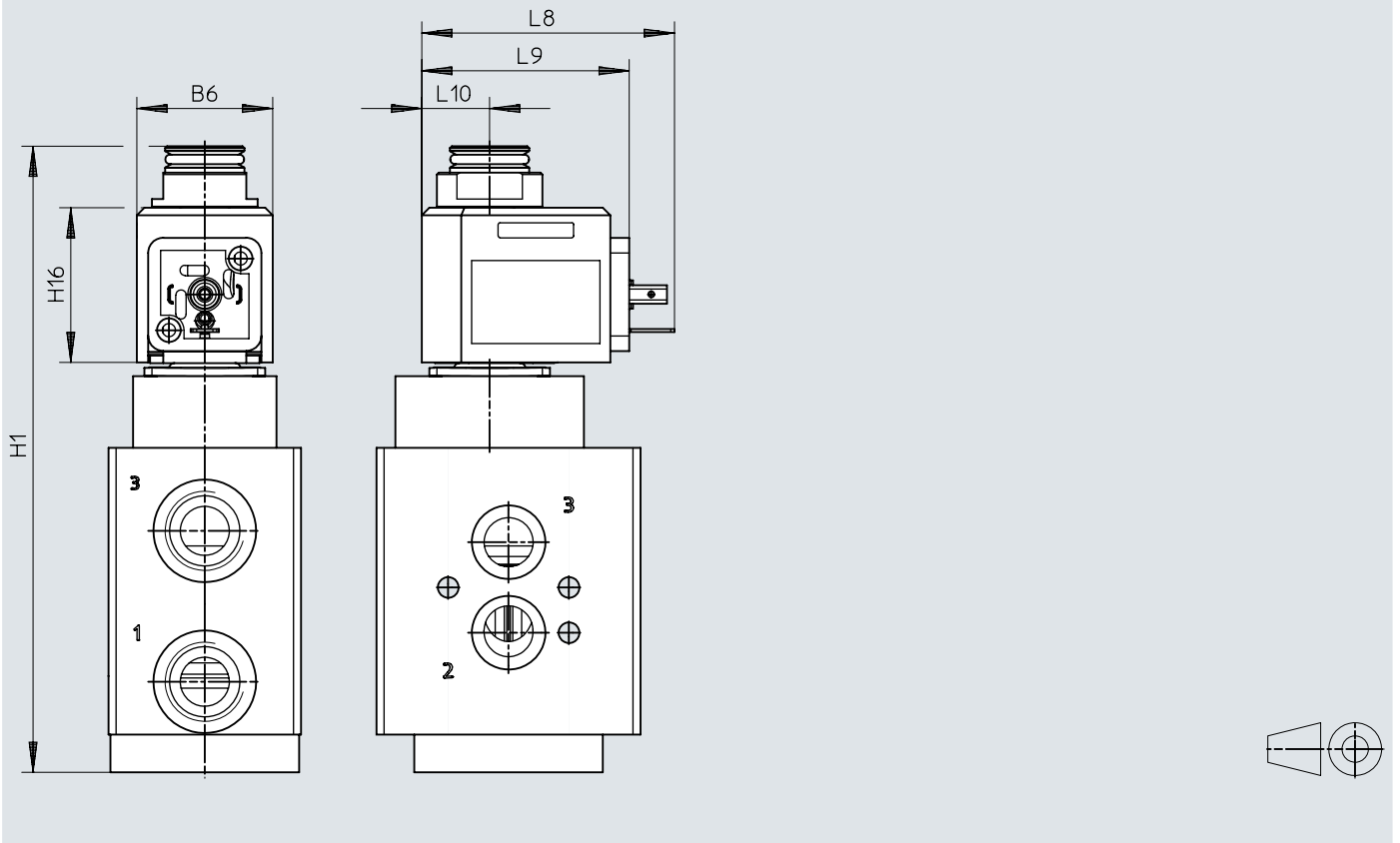


	B6	H1	H16	L8	L9	L10
VOFC-LT-...-11-K4-1-EX4A	37	133	41	125	98	18

Dimensions

Dimensions – Valves with solenoid coil, pneumatic connection size 1/2",
VOFC-LT-...-18-A1-...

Download CAD data www.festo.com

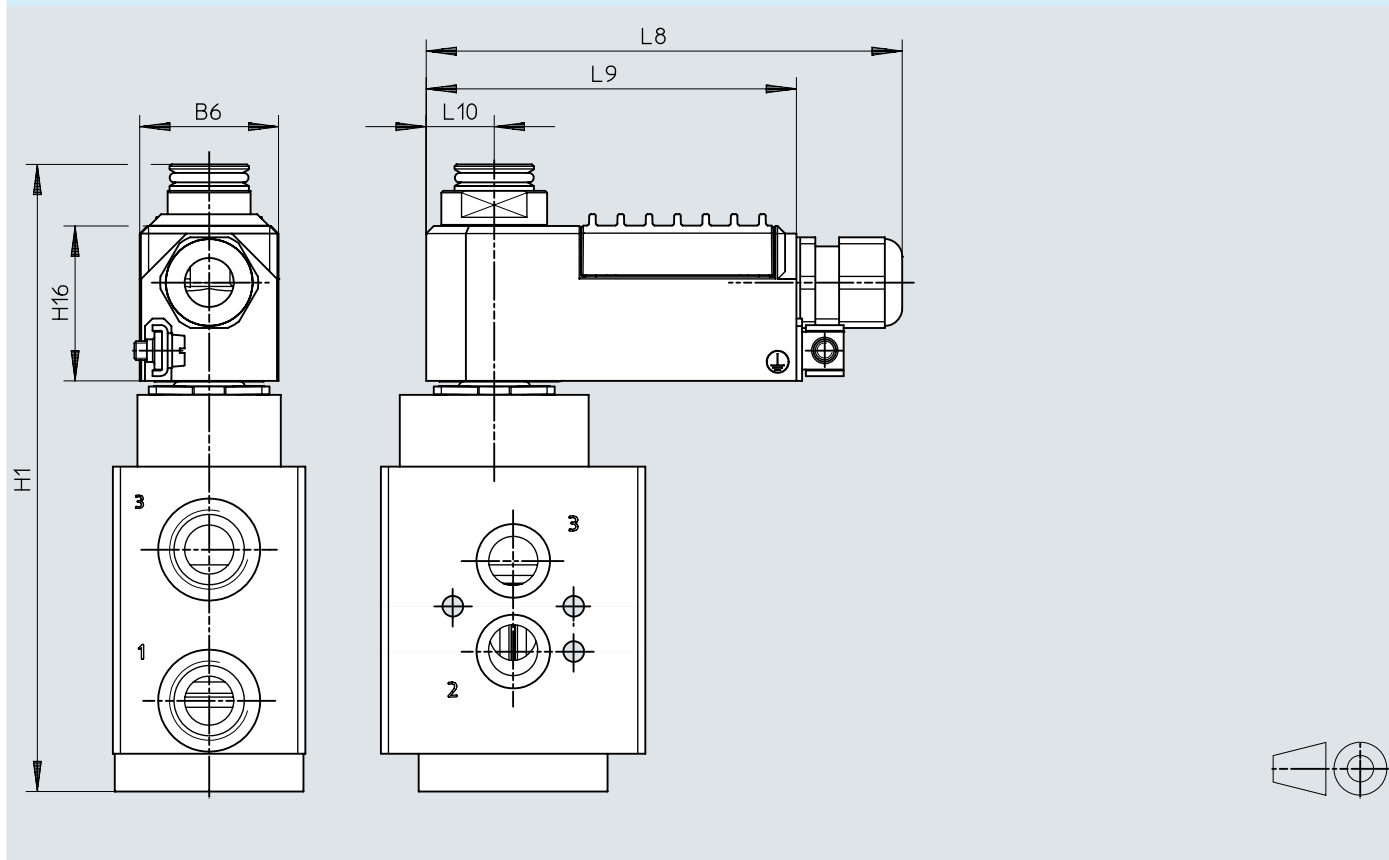


	B6	H1	H16	L8	L9	L10
VOFC-LT-...-18-A1-...	36	166	41	67	55	18

Dimensions

Dimensions – Valves with solenoid coil, pneumatic connection size 1/2",
VOFC-LT-...-18-K4-...-EX4ME

Download CAD data www.festo.com

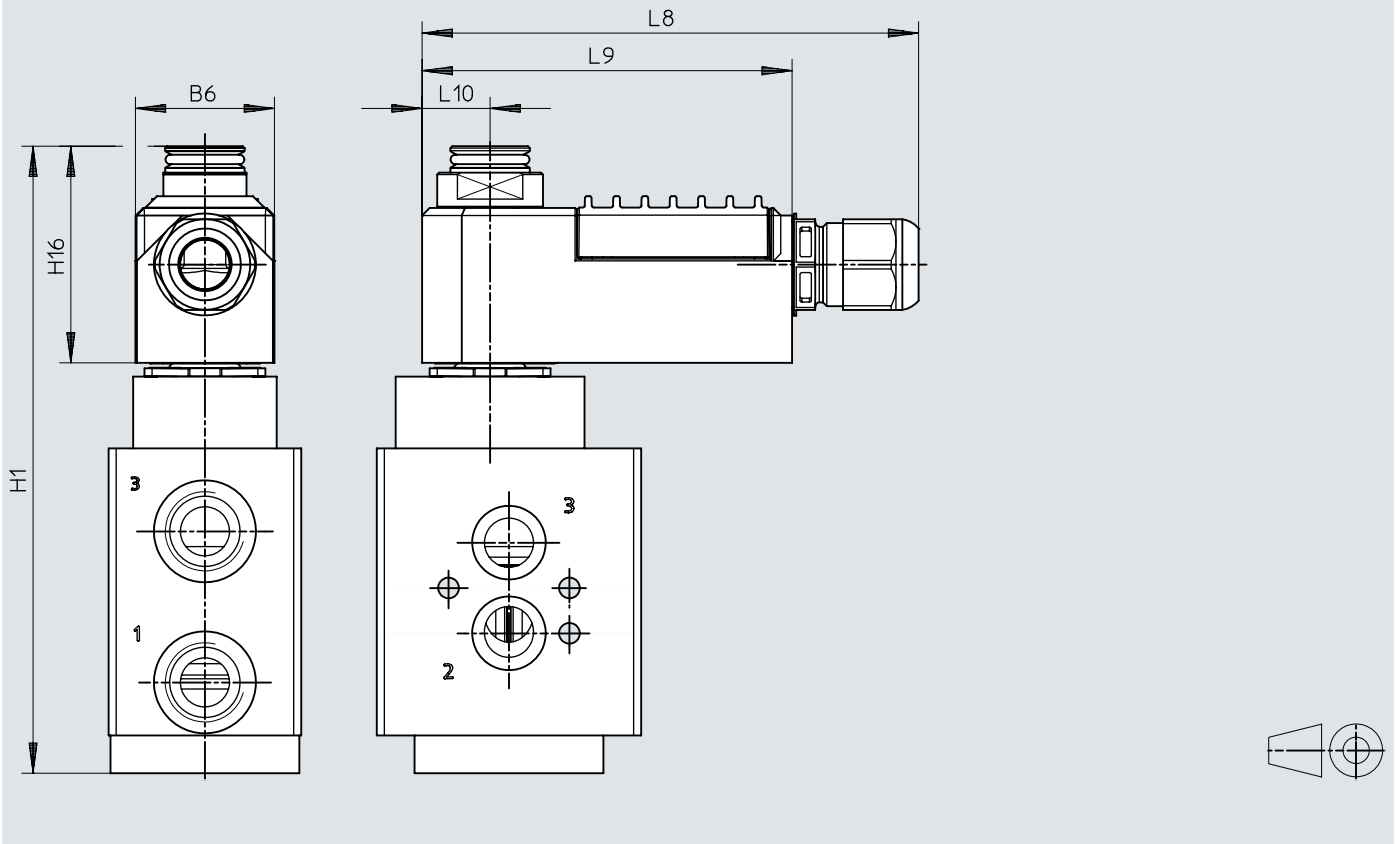


	B6	H1	H16	L8	L9	L10
VOFC-LT-...-18-K4-...-EX4ME	37	166	41	125	111	18

Dimensions

Dimensions – Valves with solenoid coil, pneumatic connection size 1/2",
VOFC-LT-...-11-K4-1-EX4A

Download CAD data www.festo.com

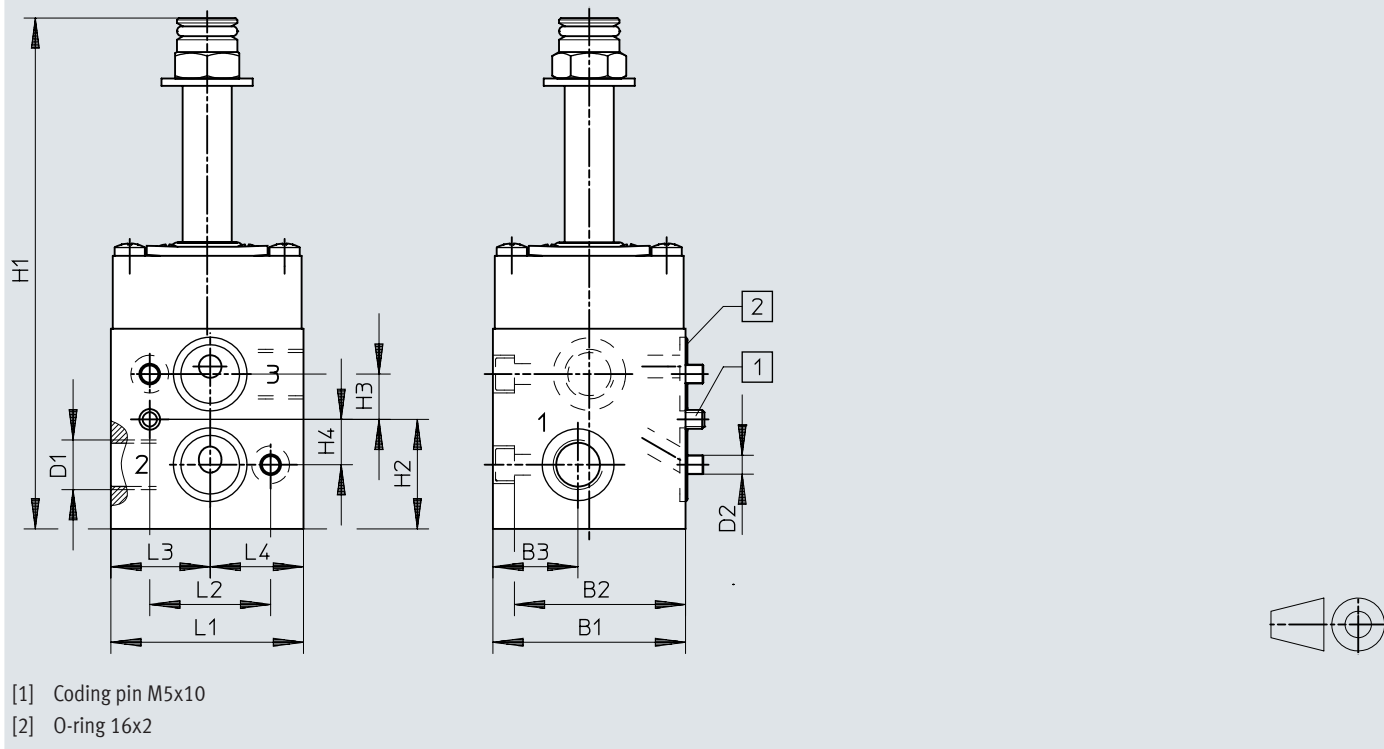


	B6	H1	H16	L8	L9	L10
VOFC-LT-...-11-K4-1-EX4A	37	166	41	125	98	18

Dimensions

Dimensions – VOFC-LT-...-FG-...

Download CAD data www.festo.com

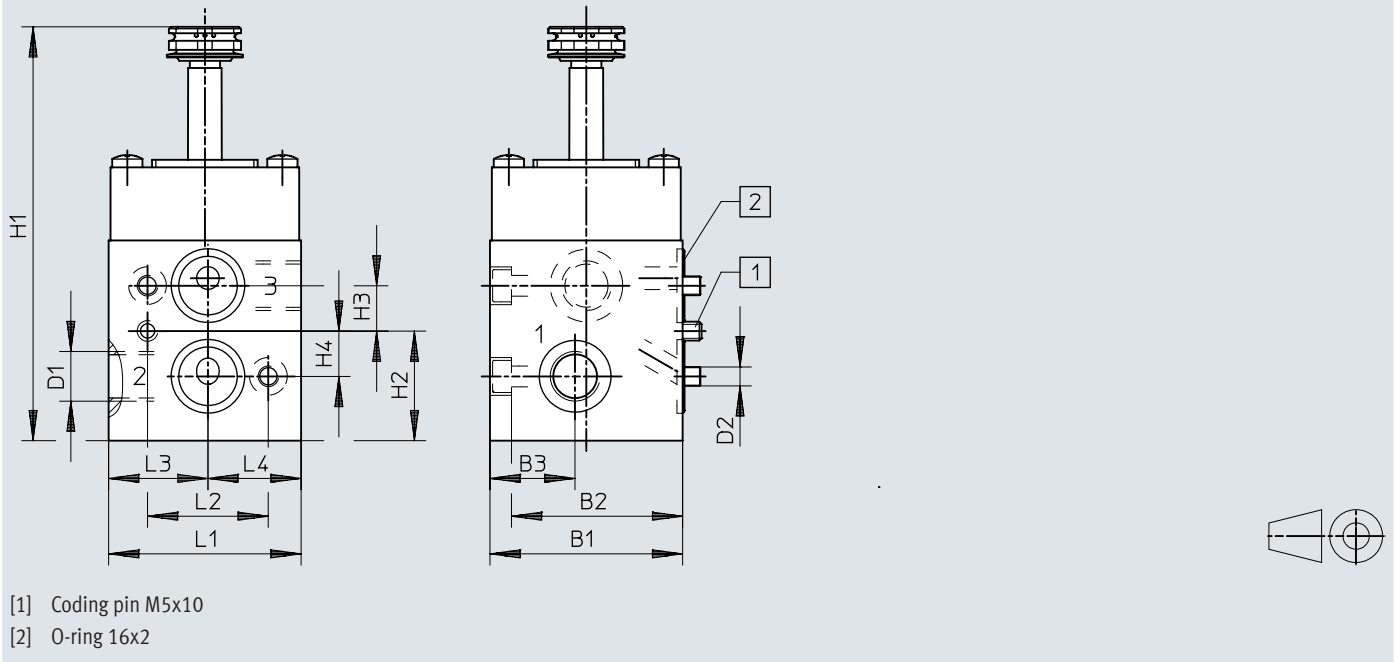


	B1	B2	B3	D1	D2	H1	H2	H3	H4	L1	L2	L3	L4
VOFC-LT-M32C-M-FG14-F19	51	45,3	22,5	G1/4	5,5	135,3	29	12	12	51	32	26,3	24,7
VOFC-LT-M32C-M-FG14-F19A													

Dimensions

Dimensions – VOFC-LT-...-FN

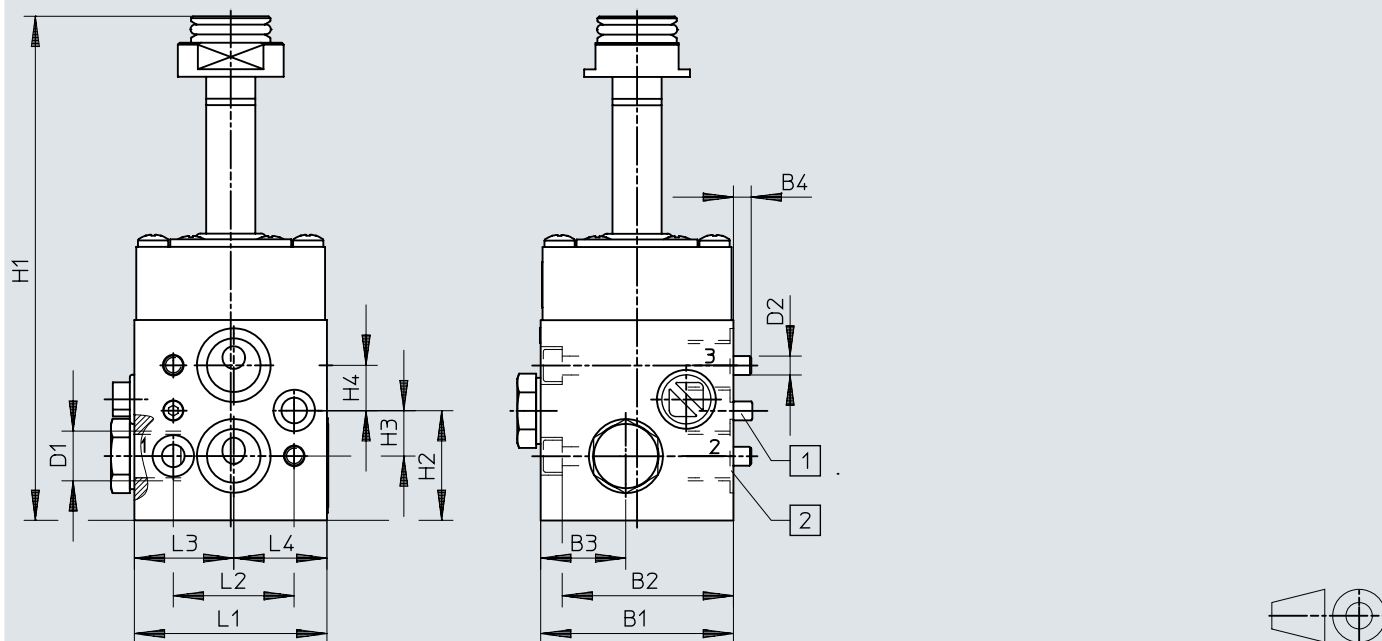
Download CAD data www.festo.com



	B1	B2	B3	D1	D2	H1	H2	H3	H4	L1	L2	L3	L4
VOFC-LT-...-FN	51	45,3	22,5	G1/4	M5	109,6	29	12	12	51	32	26,3	24,7

Dimensions

Dimensions – 3/2-way valves, poppet valve, single solenoid, G1/4 NAMUR

Download CAD data www.festo.com

[1] Coding pin M5x10

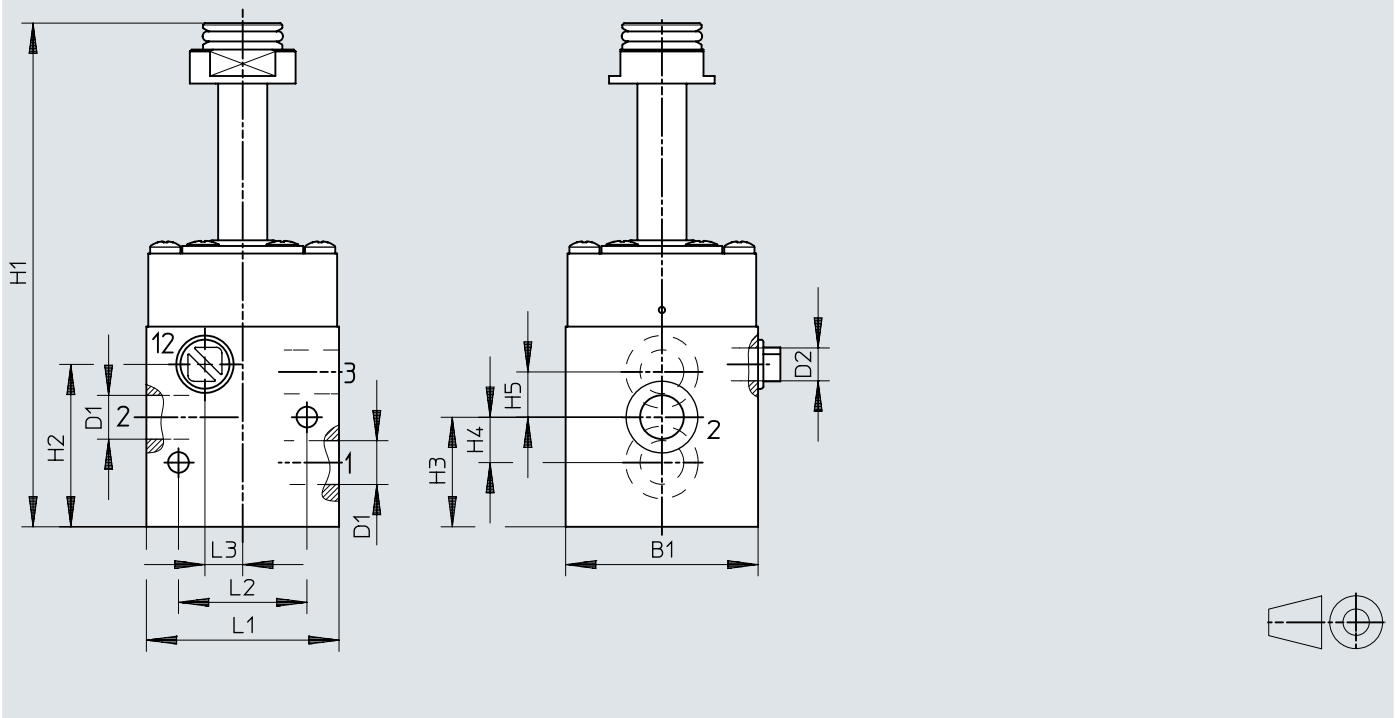
[2] O-ring 16x2

	B1	B2	B3	B4	D1	D2	H1	H2	H3	H4	L1	L2	L3	L4
VOFC-LT-M32C-MC-FGP14-F19	51	45,3	22,5	4,7	G1/4	M5	133,4	29	12	12	51	32	26,3	24,7
VOFC-LT-M32C-MC-FGP14-F19A														

Dimensions

Dimensions – 3/2-way valves, poppet valve, single solenoid, G1/4 pipe socket

Download CAD data www.festo.com

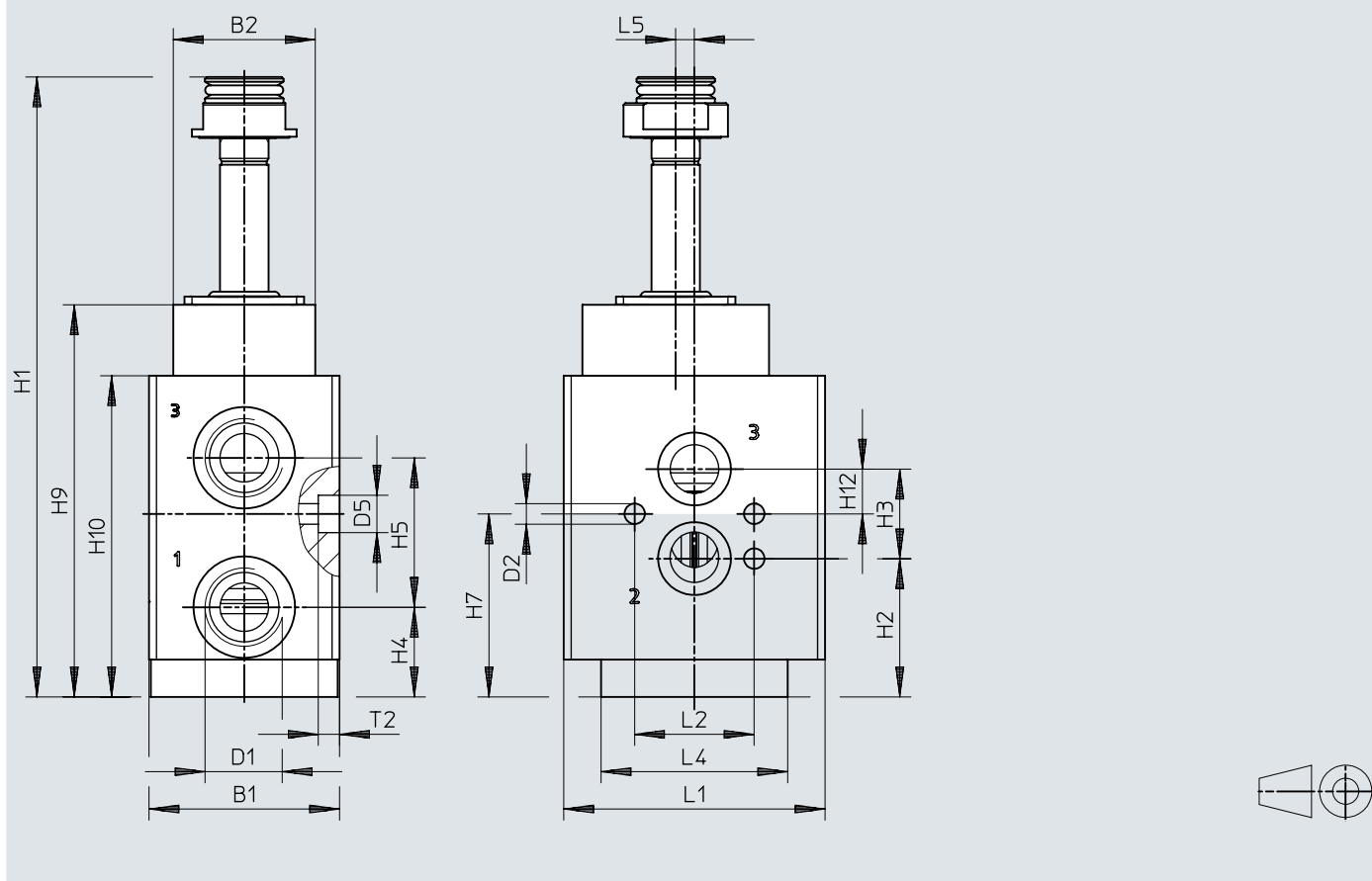


	B1	D1	D2	H1	H2	H3	H4	H5	L1	L2	L3
VOFC-LT-M32C-MC-G14-F19	51	G1/4	G1/8	133	43	29	12	12	51	34	10
VOFC-LT-M32C-MC-G14-F19A			G1/8								
VOFC-LT-M32C-MC-N14-F19		1/4NPT	1/8NPT								
VOFC-LT-M32C-MC-N14-F19A											

Dimensions

Dimensions – VOFC-LT-M32C-M-..., 3/2-way valve, poppet valve, single solenoid, G1/2 NAMUR

Download CAD data www.festo.com

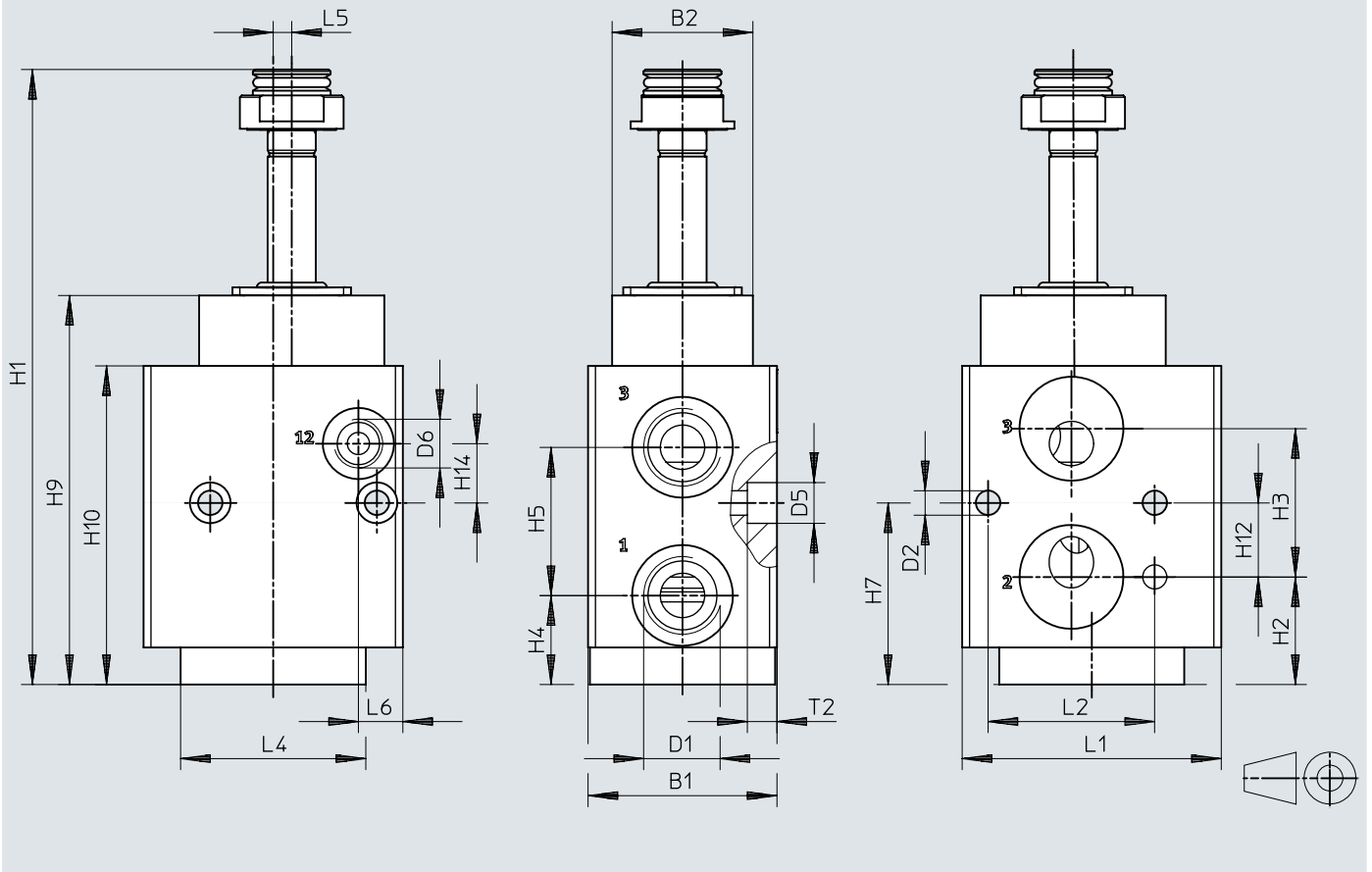


	B1	B2	D1	D2 ∅	D5 ∅	H1	H2	H3	H4	
VOFC-LT-M32C-M-FG12-F19	51	38	G1/2	5,5	10	166	37	24	24	
VOFC-LT-M32C-M-FG12-F19A										
	H5	H7	H9	H10	H12	L1	L2	L4	L5	T2
VOFC-LT-M32C-M-FG12-F19	40	49	105	86	12	70	32	50	5	8
VOFC-LT-M32C-M-FG12-F19A										

Dimensions

Dimensions – VOFC-LT-M32C-MC-..., 3/2-way valve, poppet valve, single solenoid, G1/2 NAMUR

Download CAD data www.festo.com

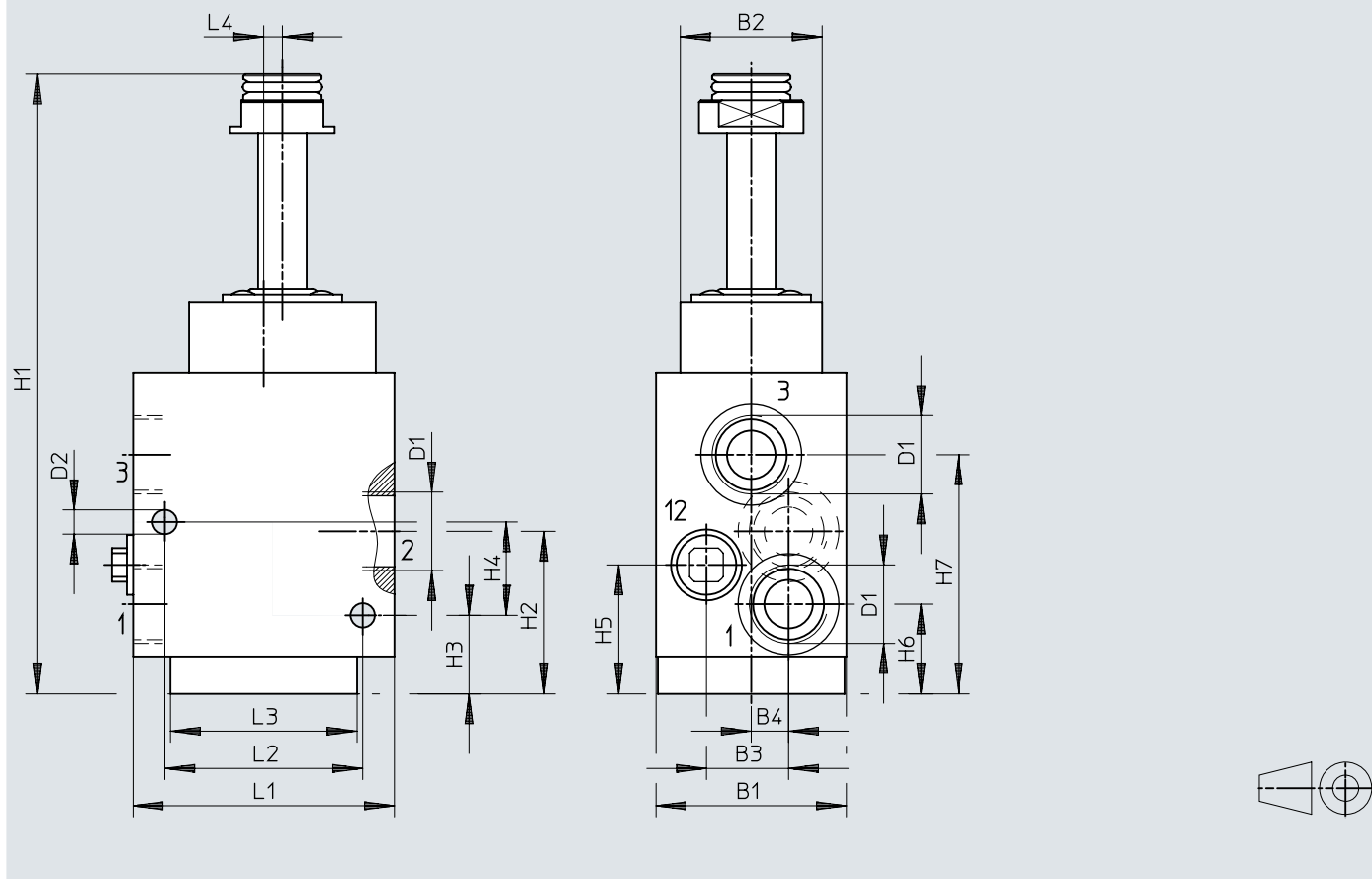


	B1	B2	D1	D2 ∅	D5 ∅	D6	H1	H2	H3	H4	H5
VOFC-LT-M32C-MC-FG13-F19	51	38	G1/2	6,6	11	G1/4	166	29	40	24	40
VOFC-LT-M32C-MC-FG13-F19A											
	H7	H9	H10	H12	H14	L1	L2	L4	L5	L6	T2
VOFC-LT-M32C-MC-FG13-F19	49	105	86	20	16	70	45	50	5	12	8
VOFC-LT-M32C-MC-FG13-F19A											

Dimensions

Dimensions – 3/2-way valve, poppet valve, single solenoid, G1/2 pipe socket

Download CAD data www.festo.com

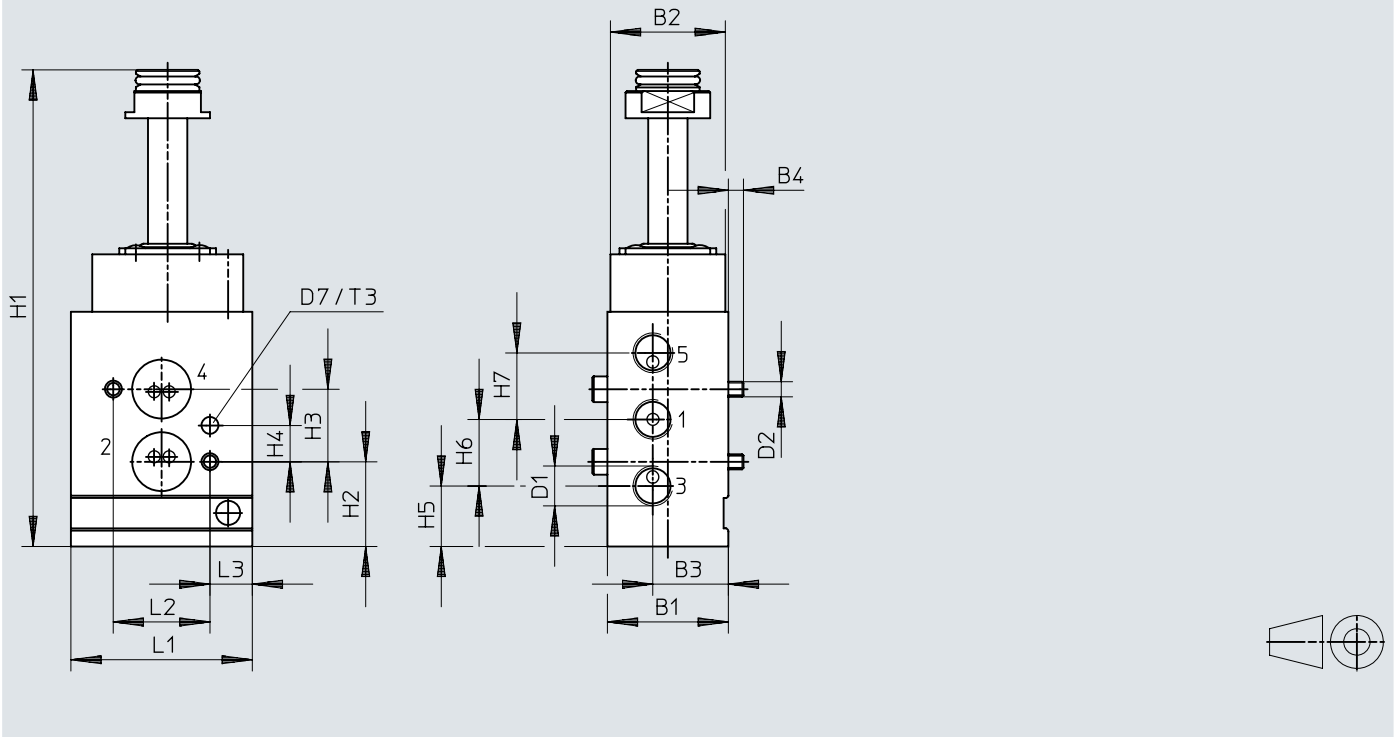


	B1	B2	B3	B4	D1	D2	H1	H2	H3	H4	H5	L1	L2	L3	L4
VOFC-LT-M32C-MC-G12-F19	51	37	22	10	G1/2	6,5	166	43,5	21	25	34,5	70	53	50	5
VOFC-LT-M32C-MC-G12-F19A															

Dimensions

Dimensions – VOFC-L...-FG14-...

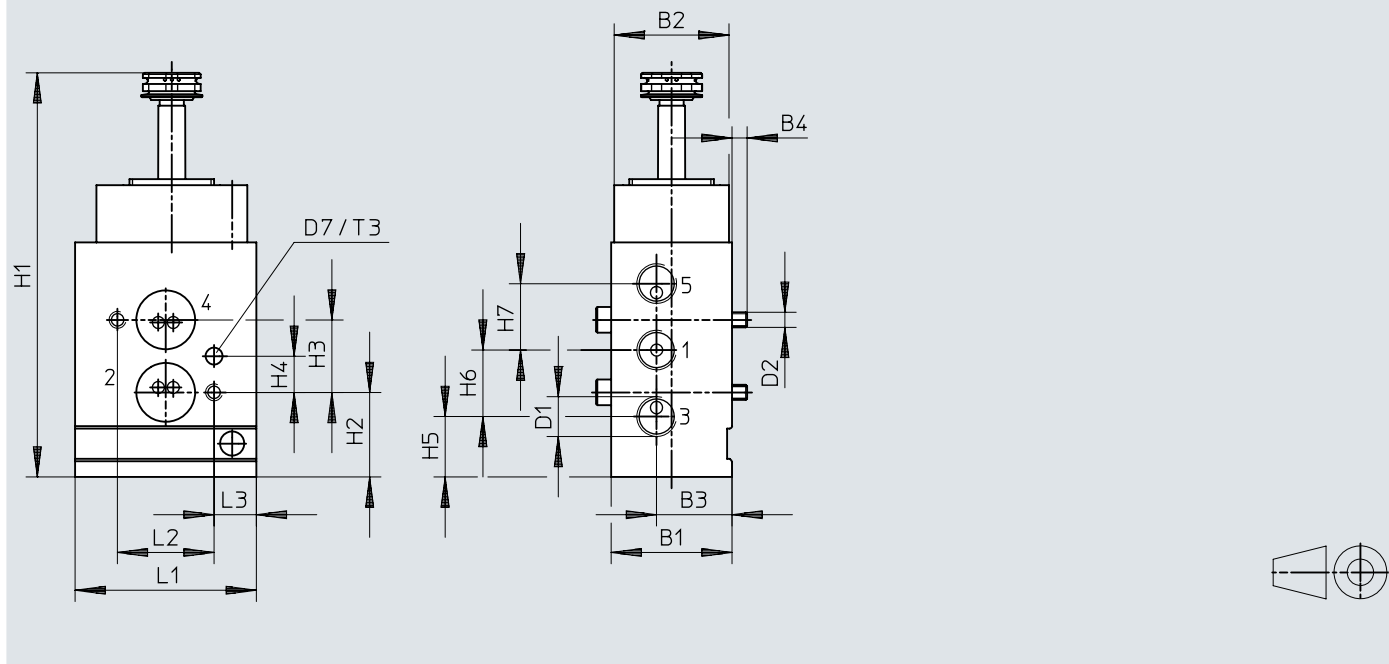
Download CAD data www.festo.com



	B1	B2	B3	B4	D1	D2	D7 ∅	H1	H2	H3	H4	H5	H6	H7	L1	L2	L3	T3
VOFC-L-M52-M-FG14-F19	40	38	25	5	G1/4	M5	5,5	158	28	24	12	20	22	22	60	32	14	3
VOFC-L-M52-M-FG14-F19A																		

Dimensions

Dimensions – VOFC-L-...-FN14-...-FN

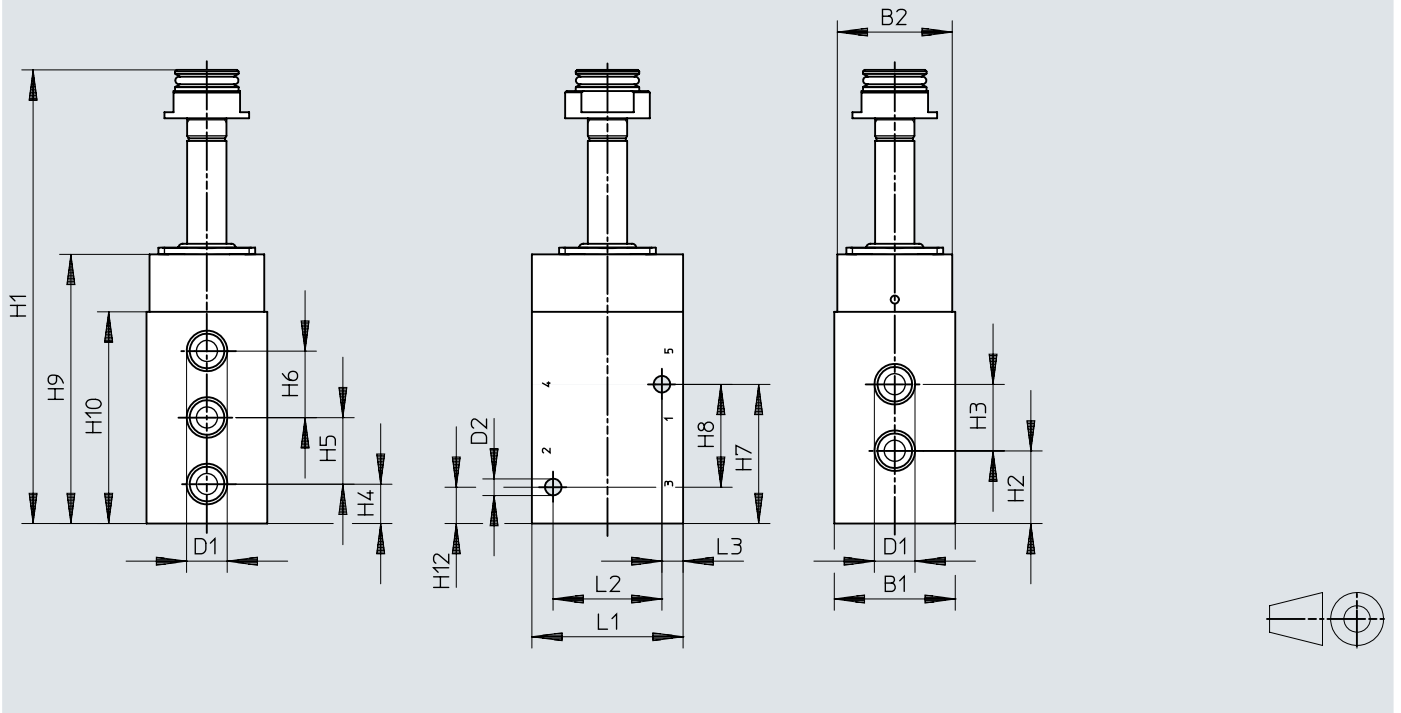
Download CAD data www.festo.com

	B1	B2	B3	B4	D1	D2	D7 ∅	H1	H2
VOFC-L-M52-M-FN14-...-FN	40	38	25	5	G1/4	M5	5,5	133,8	28
	H3	H4	H5	H6	H7	L1	L2	L3	T3
VOFC-L-M52-M-FN14-...-FN	24	12	20	22	22	60	32	14	3

Dimensions

Dimensions – VOFC-L...-F19...

Download CAD data www.festo.com

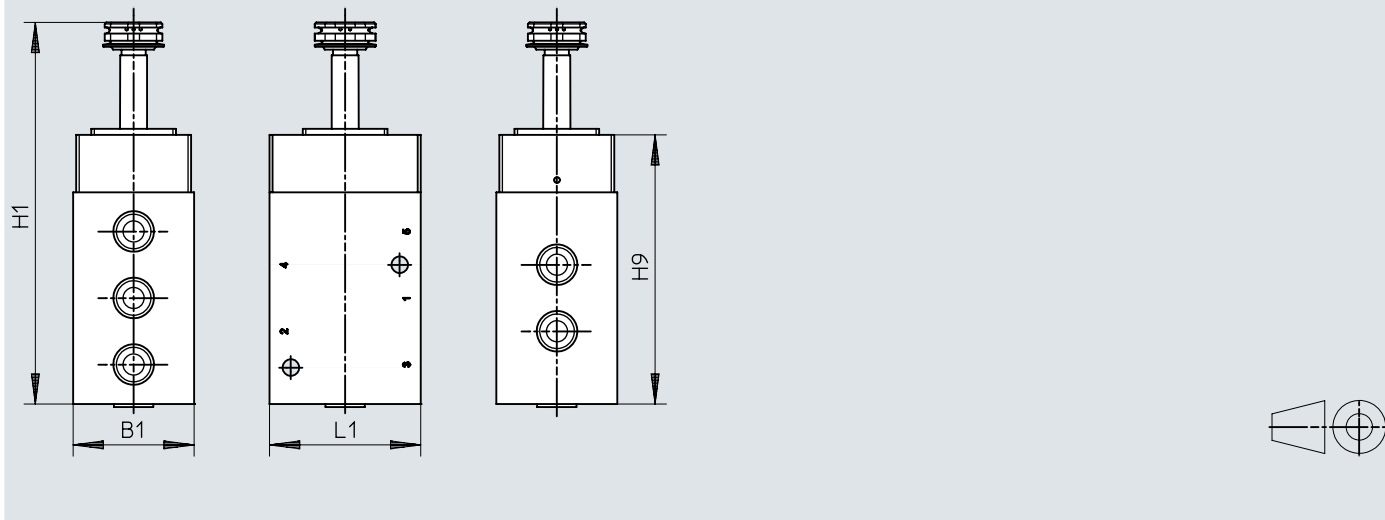


	B1	B2	D1	D2 ∅	H1	H2	H3	H4	H5	H6	H7	H8	H9	H10	H12	L1	L2	L3
VOFC-L-M52-M-G14-F19	40	38	G1/4	5,5	150	24	22	13	22	22	46	34	89	70	12	50	36	7
VOFC-L-M52-M-G14-F19A																		

Dimensions

Dimensions – VOFC-L...-FN

Download CAD data www.festo.com

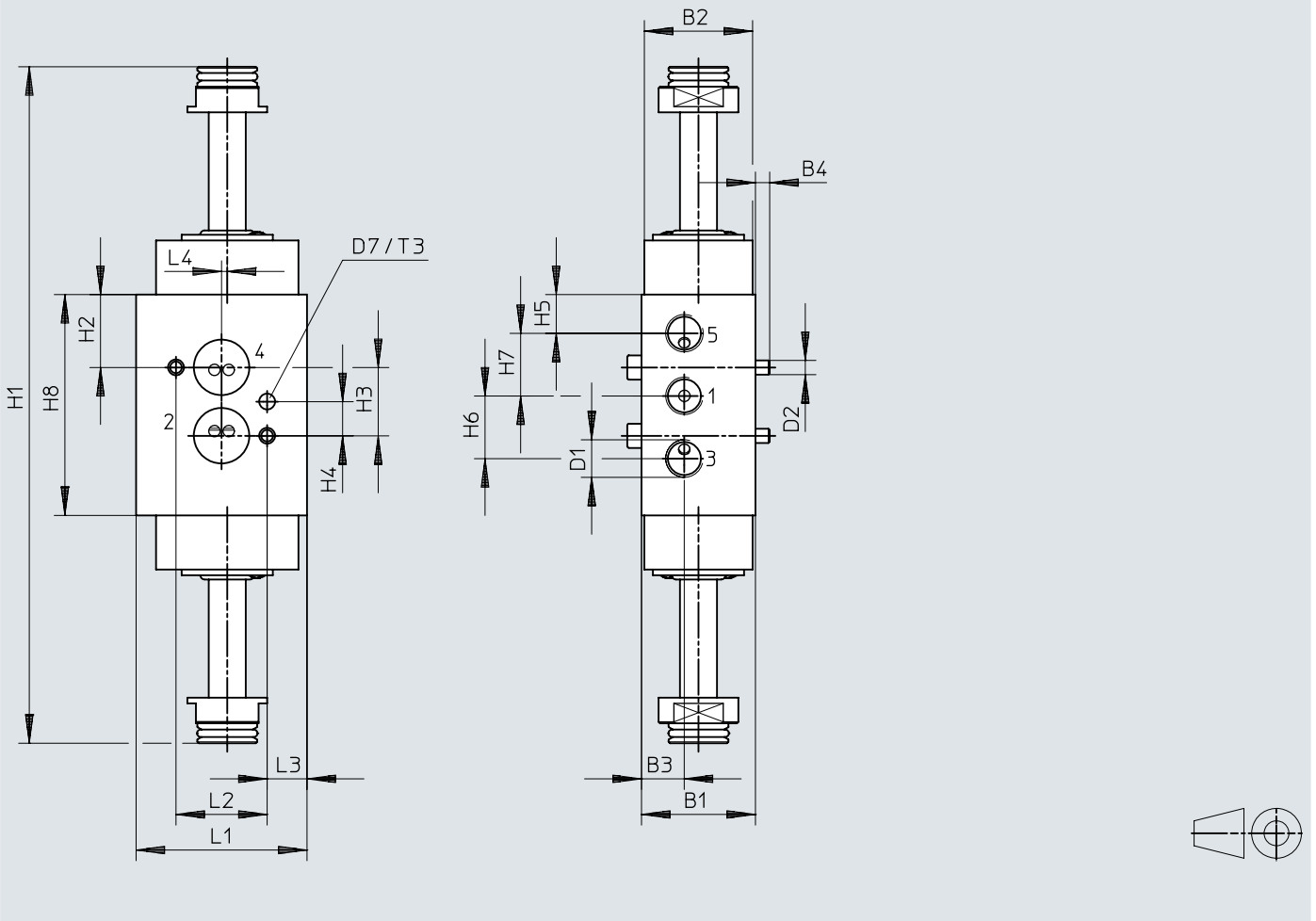


	B1	H1	H9	L1
VOFC-L...-FN	40	126	89	50

Dimensions

Dimensions – VOFC-L-B52-FG14-..., 5/2-way valves, piston spool valve, double solenoid, G1/4, NAMUR

Download CAD data www.festo.com

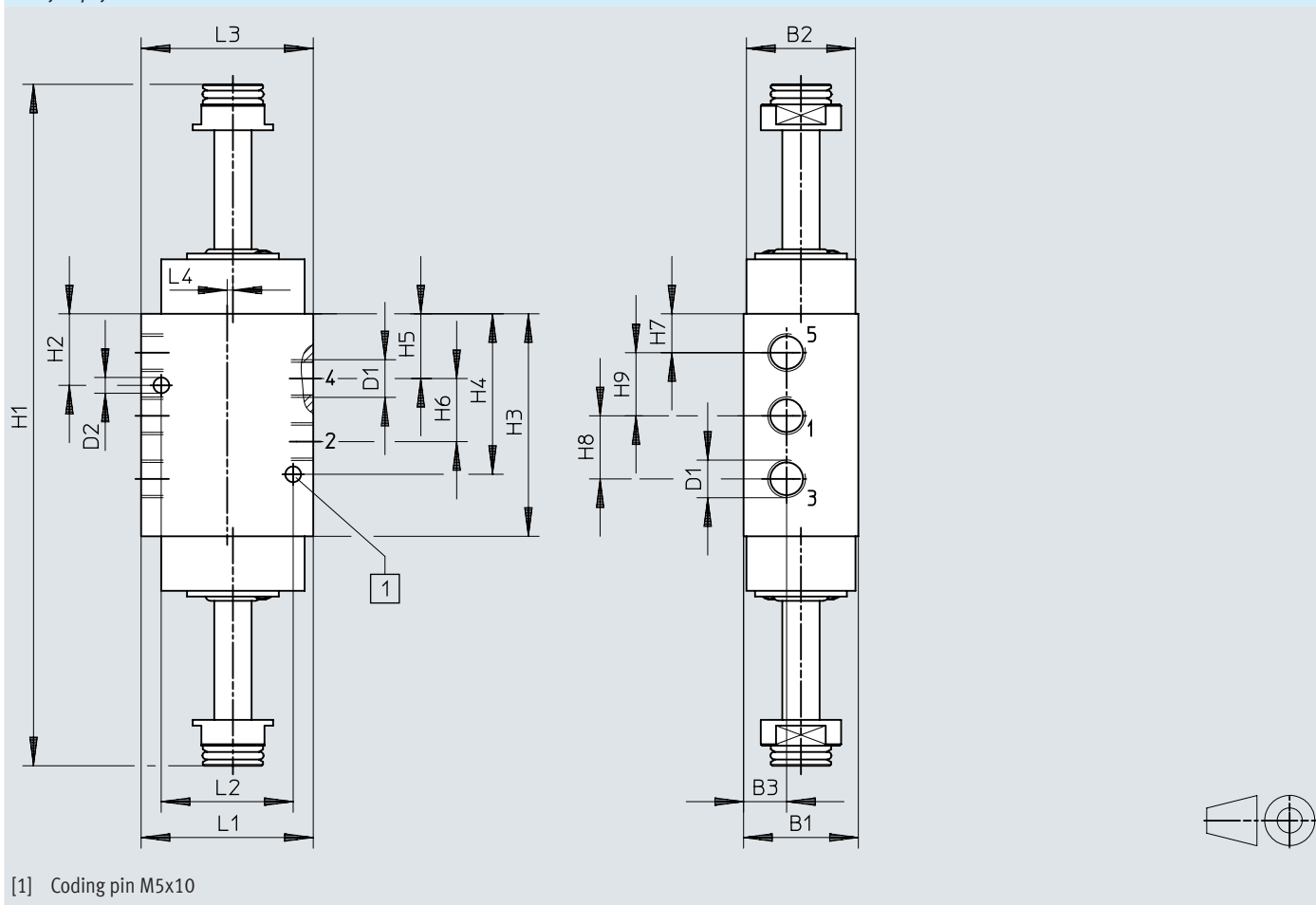


	B1	B2	B3	B4	D1	D2	H1	H2	H3
VOFC-L-B52-FG14-F19	40	38	15	5	G1/4	M5	237,6	25,6	24
VOFC-L-B52-FG14-F19A									
	H4	H5	H6	H7	H8	L1	L2	L3	L4
VOFC-L-B52-FG14-F19	12	13,6	22	22	77,6	60	32	14	2
VOFC-L-B52-FG14-F19A									

Dimensions

Dimensions – VOFC-L-B52-G14-..., 5/2-way piston spool valves, double solenoid, G1/4, NAMUR

Download CAD data www.festo.com

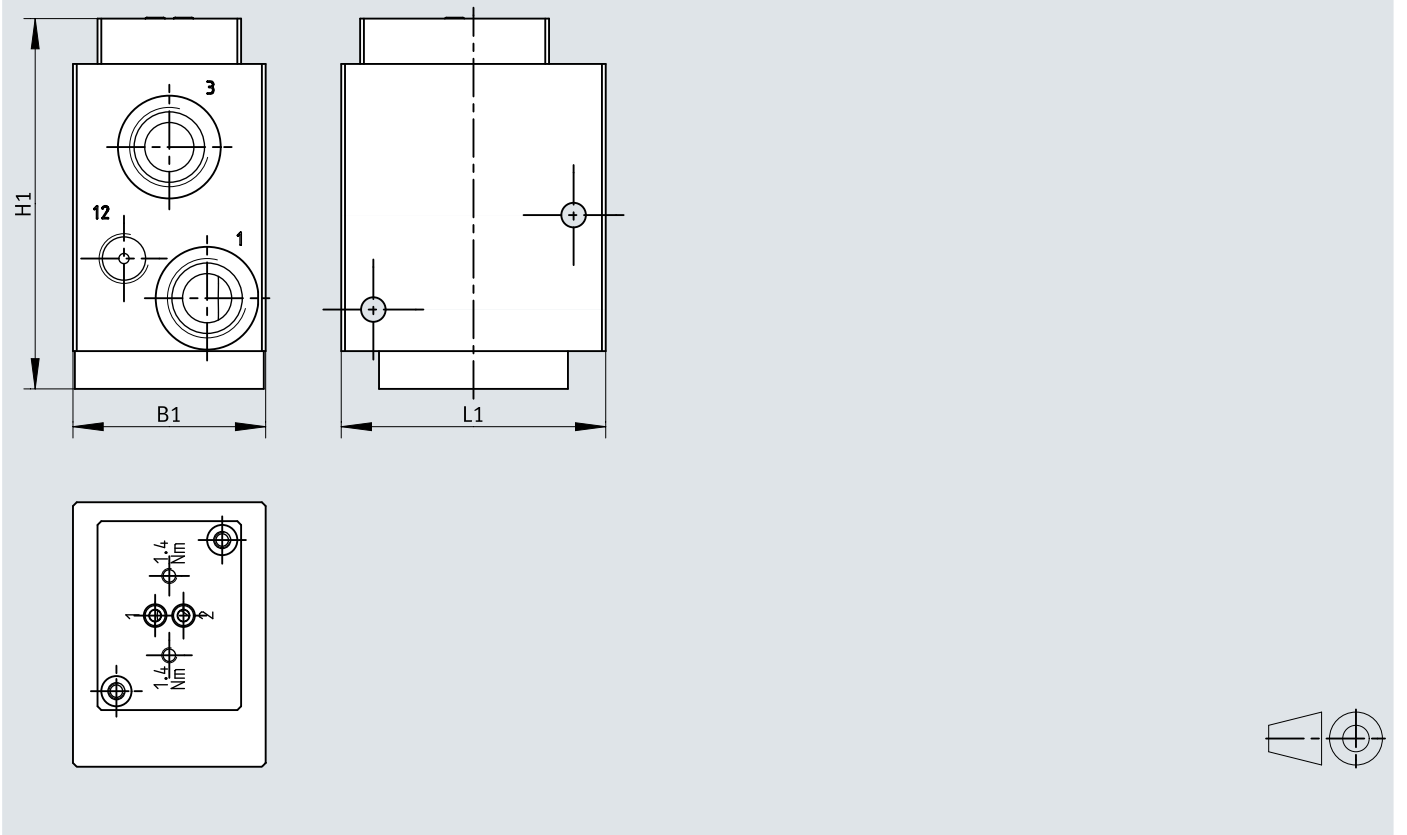


	B1	B2	B3	D1	D2	H1	H2	H3	H4	H5	H6	H7	H8	H9	L1	L2	L3	L4
VOFC-L-B52-G14-F19	40	38	15	G1/4	5,5	240	25	77,6	56	22,6	22	13,6	22	22	60	46	60	2
VOFC-L-B52-G14-F19A																		

Dimensions

Dimensions – VOFC-LT-...G12-P2

Download CAD data www.festo.com

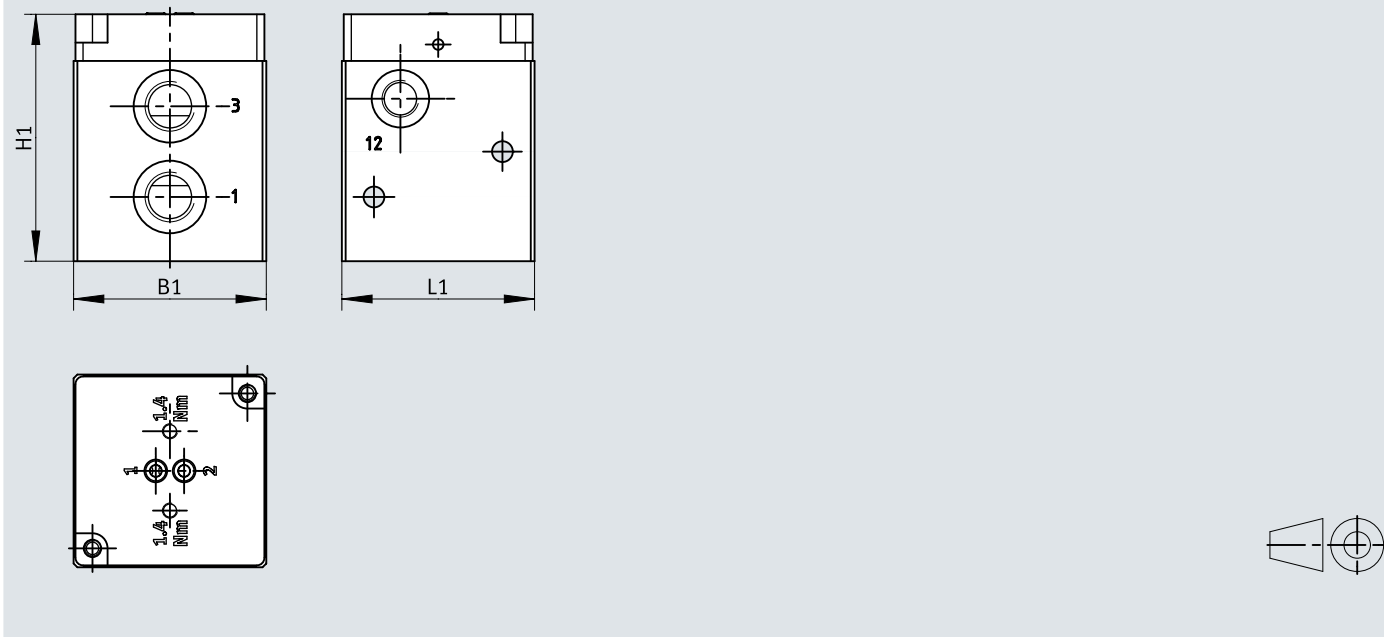


	B1	H1	L1
VOFC-LT-...G12-P2	51	98	70

Dimensions

Dimensions – VOFC-LT-...G14-P2

Download CAD data www.festo.com

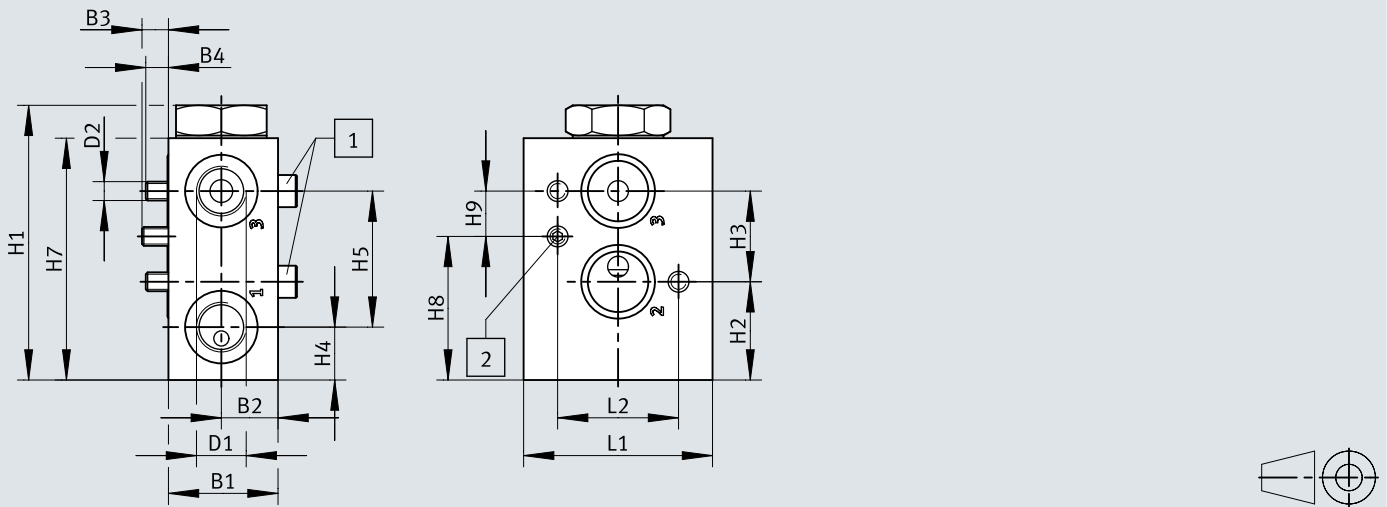


	B1	H1	L1
VOFC-LT-...G14-P2	51	65	51

Dimensions

Dimensions – Sub-base VABS-S7-BE-...

Download CAD data www.festo.com



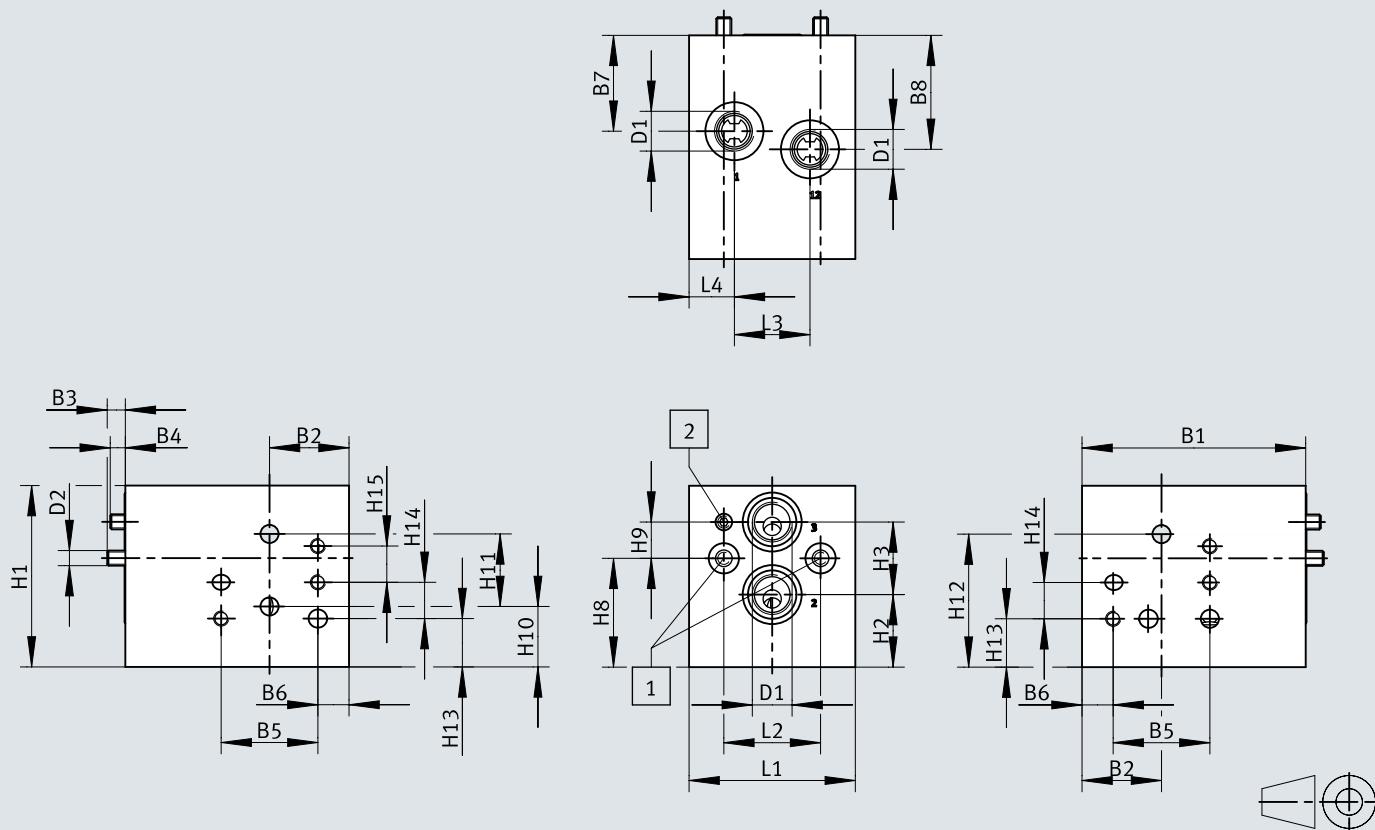
- [1] Socket head screw M5x35
- [2] Threaded pin M5x10

	B1	B2	B3	B4	D1	D2	H1	H2
VABS-S7-BE-B-G14-VDE1	29	15	7	6	G1/4	M5	72,7	26
VABS-S7-BE-B-N14-VDE1					1/4 NPT			
	H3	H4	H5	H7	H8	H9	L1	L2
VABS-S7-BE-B-G14-VDE1	24	14	36	64	38	12	50	32
VABS-S7-BE-B-N14-VDE1								

Dimensions

Dimensions – Sub-base VABS-S7-RB-...

Download CAD data www.festo.com



- [1] Socket head screw M5x70
- [2] Threaded pin M5x10

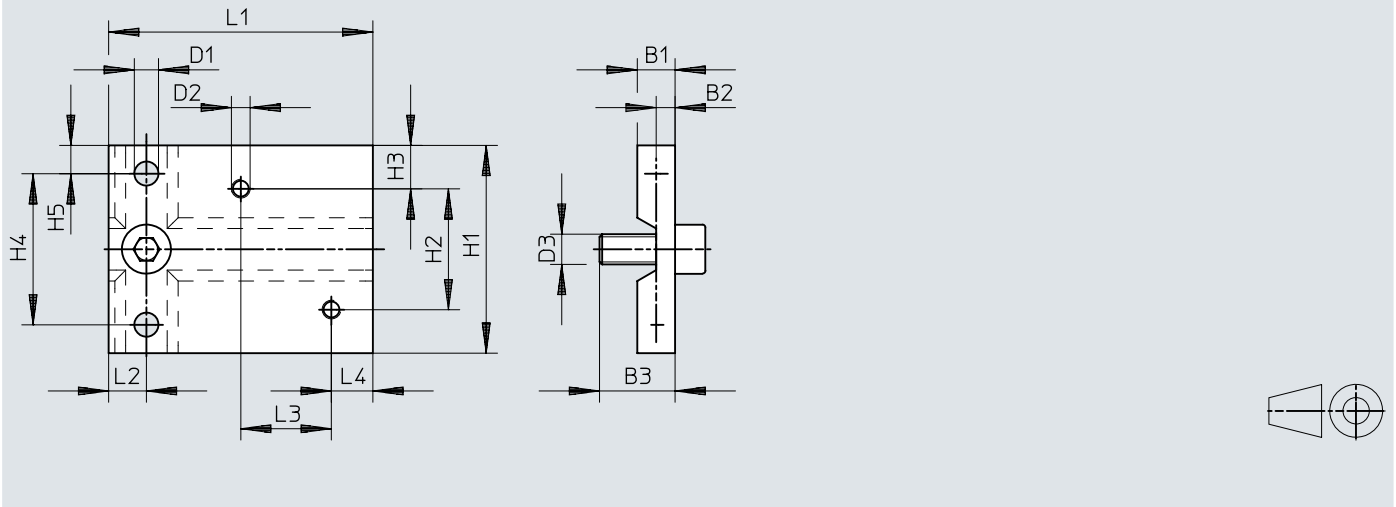
	B1	B2	B3	B4	B5	B6	B7	B8	D1	D2	L1	L2	L3
VABS-S7-RB-B-G14-VDE1-R12	74	26,3	6	5	32	10,3	31,7	37,7	G1/4	M5	55	32	25
VABS-S7-RB-B-N14-VDE1-R12									1/4 NPT				

	L4	H1	H2	H3	H8	H9	H10	H11	H12	H13	H14	H15
VABS-S7-RB-B-G14-VDE1-R12	15	60	24	24	36	12	20	24	44	16	12	12
VABS-S7-RB-B-N14-VDE1-R12												

Dimensions

Dimensions – Mounting plate VAME-S7-P

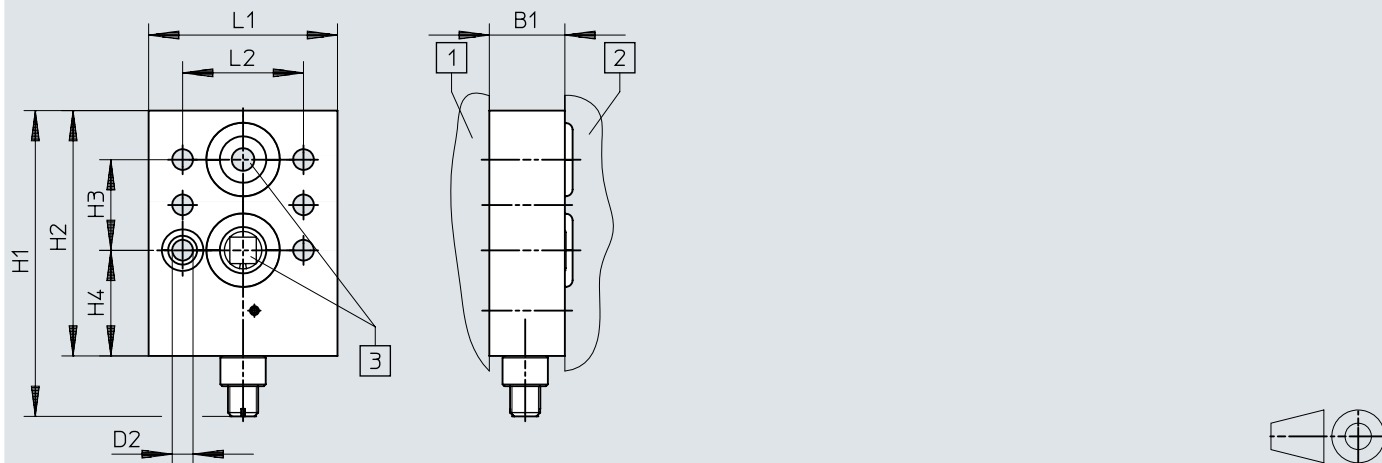
Download CAD data www.festo.com



	B1	B2	B3	D1	D2	D3	H1	H2	H3	H4	H5	L1	L2	L3	L4
VAME-S7-P	10	5	20	6,4	M5	M8	55	32	11,5	40	7,5	70	10	24	11

Dimensions

Dimensions – Throttle plate VABF-S7-F1B5P1-F for single-acting drives

Download CAD data www.festo.com

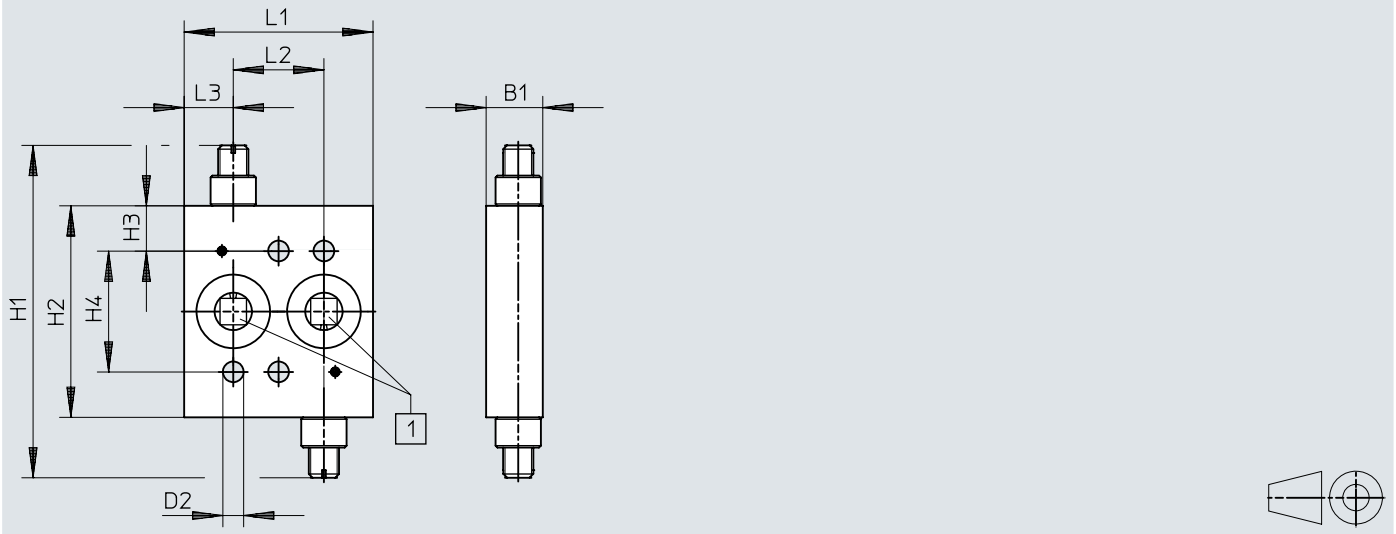
- [1] Drive
 [2] Valve
 [3] Working ports for G1/4 and 1/4 NPT valves

	B1	D2 ∅	H1	H2	H3	H4	L1	L2
VABF-S7-F1B5P1-F	20	5,5	80	65	24	28	50	32

Dimensions

Dimensions – Throttle plate VABF-S7-F1B1P2-F for double-acting drives

Download CAD data www.festo.com



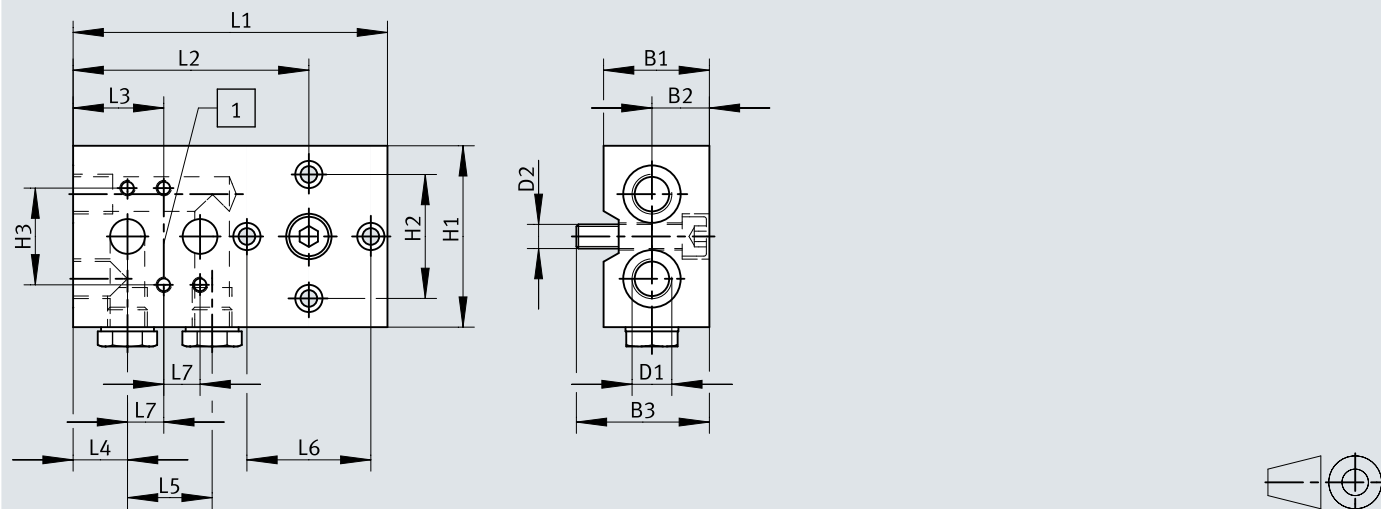
[1] Working ports for G1/4 and 1/4 NPT valves

	B1	D2 ∅	H1	H2	H3	H4	L1	L2	L3
VABF-S7-F1B1P2-F	15	5,5	90	56	12	32	50	24	13

Dimensions

Dimensions – Sub-base VABS-S7-S-G14

Download CAD data www.festo.com



[1] NAMUR flange

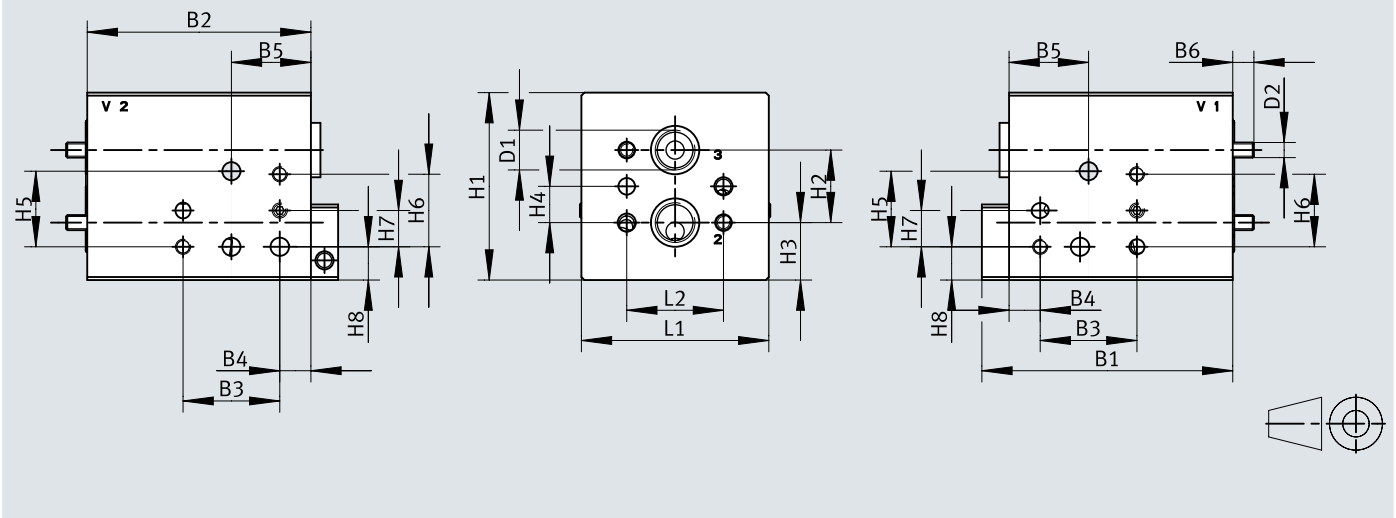
	B1	B2	B3	D1	D2	H1	H2
VABS-S7-S-G14-VDE1	35	19	44	G1/4	M8	60	41

	H3	L1	L2	L3	L4	L5	L6	L7
VABS-S7-S-G14-VDE1	32	104	70	30	18	28	41	12

Dimensions

Dimensions – Sub-base VABS-S7-RB-B

Download CAD data www.festo.com



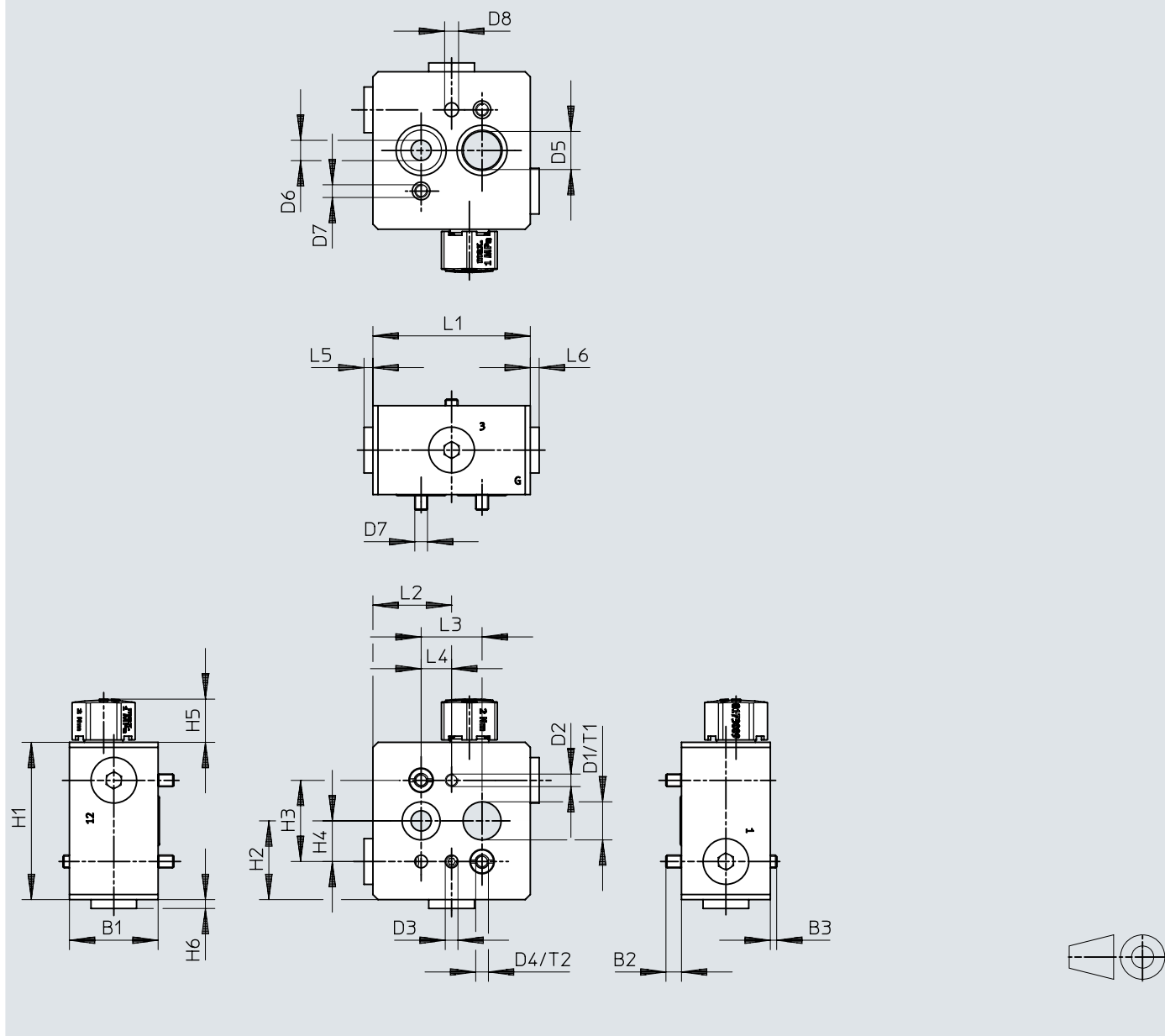
	B1	B2	B3	B4	B5	B6	H3 H8	D1	D2
VABS-S7-RB-B-G14-VDE2-R12	83	74	32	10,3	26,3	7	25,6	G14	M7

	H1	H2	H3	H4	H5	H6	H7	H8	L1	L2
VABS-S7-RB-B-G14-VDE2-R12	62	24	19	12	25	24	12	11	62	32

Dimensions

Dimensions – Sub-base VABS-BE-BS

Download CAD data www.festo.com



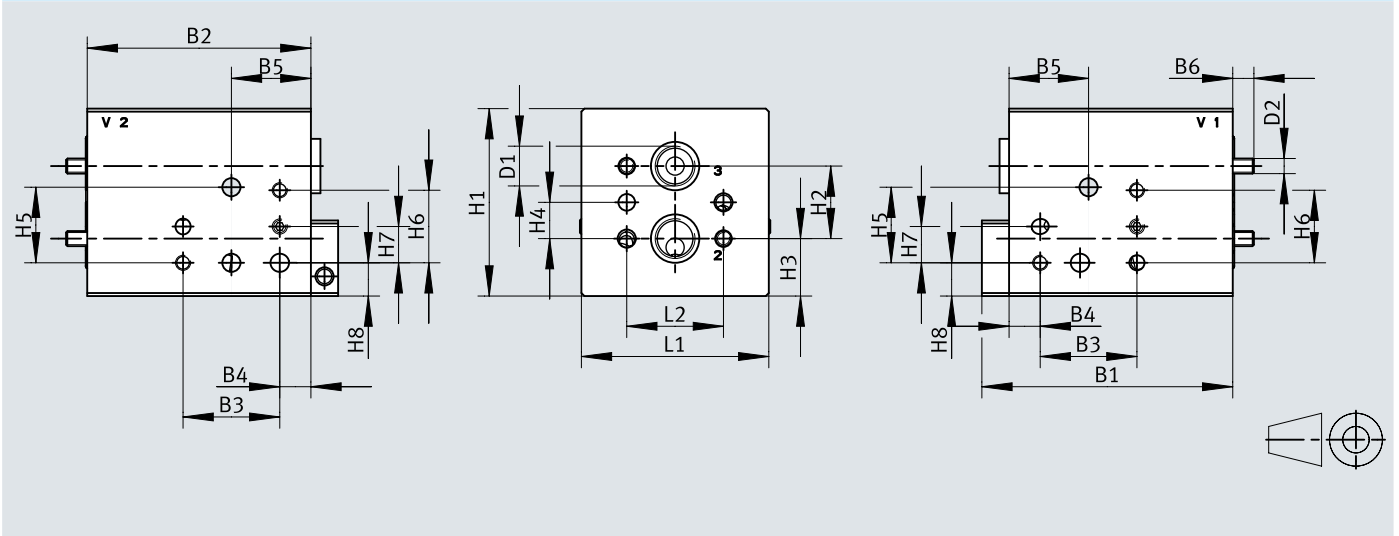
	B1	B2	B3	D1 ∅	D2	D3	D4	D5 ∅	D6 ∅	D7	D8 ∅	H1	H2
VABS-BE-BS-G14-V14	35	6,1	2,5	15	M5	M5	M5	15	8	M5	5,5	62	31

	H3	H4	H5	H6	L1	L2	L3	L4	L5	L6	T1	T2
VABS-BE-BS-G14-V14	32	16	17	3,5	62	31	24	12	3,5	3,5	3	8

Dimensions

Dimensions – Manifold block VABS

Download CAD data www.festo.com

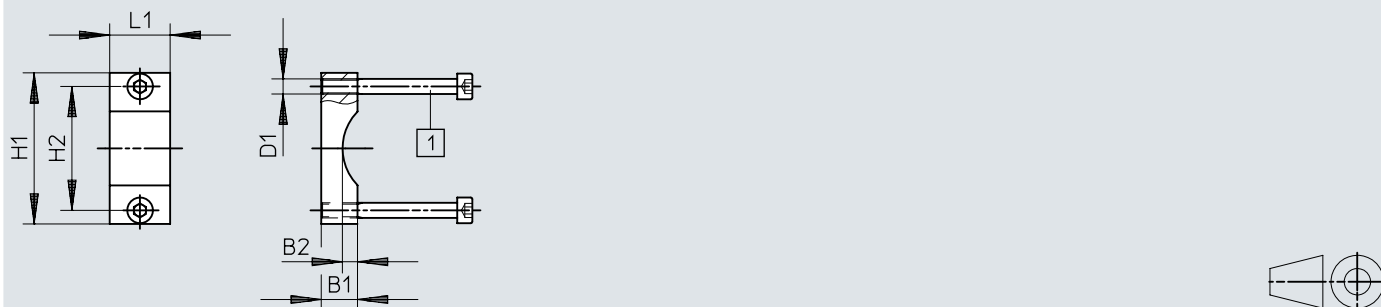


	B1	B2	B3	B4	B5	B6	H3 H8	D1	D2
VABS-S7-RB-B-G14-VDE2-R12	83	74	32	10,3	26,3	7	25,6	G14	M7

	H1	H2	H3	H4	H5	H6	H7	H8	L1	L2
VABS-S7-RB-B-G14-VDE2-R12	62	24	19	12	25	24	12	11	62	32

Dimensions

Dimensions – Mounting bracket VAME-S7-Y

Download CAD data www.festo.com

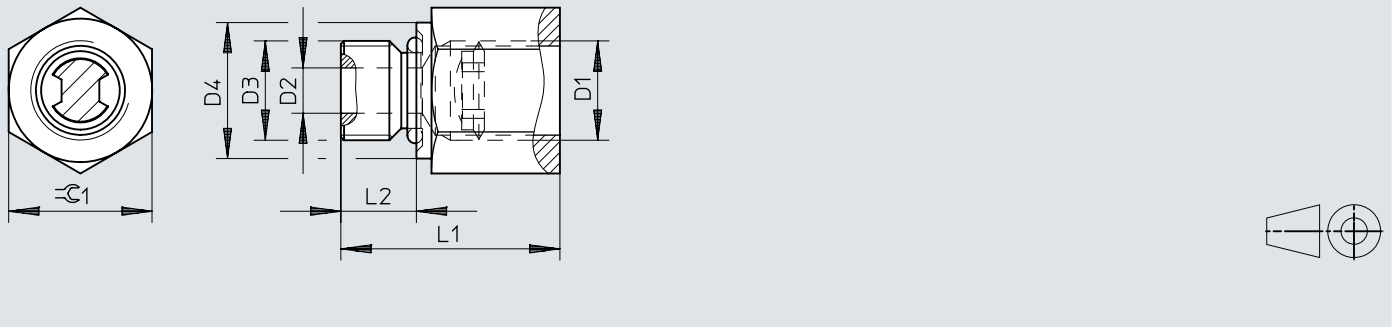
[1] Socket head screw, 2x M5x45 and 2x M5x65

	B1	B2	D1	H1	H2	L1
VAME-S7-Y	12	5	M5	50	41	20

Dimensions

Dimensions – Adapter with filter NPFV-AF-...

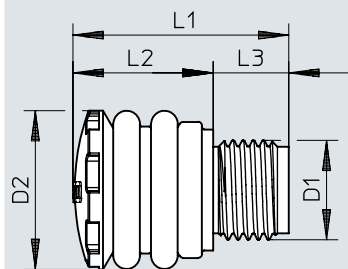
Download CAD data www.festo.com



	D1	D2	D3	D4	L1	L2	$\cong 1$
NPFV-AF-G14-N14-MF	1/4 NPT	6	G1/4	18	29	10	19
NPFV-AF-G14-G14-MF	G1/4	6	G1/4	18	29	10	19
NPFV-AF-N14-N14-MF	1/4 NPT	6	1/4 NPT	18	29	10	19

Dimensions

Dimensions – Exhaust protection VABD-D3-SN-G14

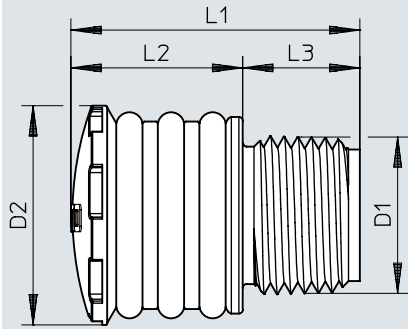
Download CAD data www.festo.com

	D1	D2	L1	L2	L3
VABD-D3-SN-G14	G1/4, 1/4 NPT	21	28,5	18,5	10

Dimensions

Dimensions – Exhaust protection VABD-D3-SN-N12

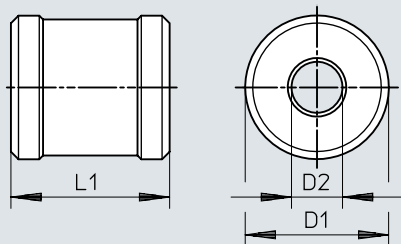
Download CAD data www.festo.com



	D1	D2	L1	L2	L3
VABD-D3-SN-N12	G1/2, 1/2 NPT	29	38	23	15


Dimensions


Dimensions – Manual override VAOH-MB-S7-S13


Download CAD data www.festo.com

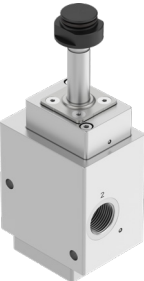
	D1	D2	L1
VAOH-MB-S7-S13	38	13,5	42

Ordering data

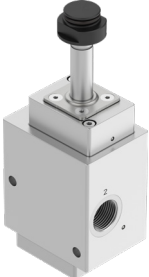
3/2-way valve poppet valve, monostable, G1/4 NAMUR					
	Valve function	pneumatic working port	Product weight	Part no.	Type
	3/2-way, single solenoid, closed	Sub-base, G1/4	600 g	4514738	VOFC-LT-M32C-M-FG14-F19
				4514739	VOFC-LT-M32C-M-FG14-F19A
				4514745	VOFC-LT-M32C-MC-FGP14-F19A
				4514744	VOFC-LT-M32C-MC-FGP14-F19


3/2-way valve poppet valve, monostable, G1/4 pipe socket					
	Valve function	pneumatic working port	Product weight	Part no.	Type
	3/2-way, single solenoid, closed	G1/4	550 g	4514741	VOFC-LT-M32C-MC-G14-F19A
		1/4 NPT		4514740	VOFC-LT-M32C-MC-G14-F19
				4514743	VOFC-LT-M32C-MC-N14-F19A
				4514742	VOFC-LT-M32C-MC-N14-F19


3/2-way valve, poppet valve, monostable, G1/2 NAMUR					
	Valve function	pneumatic working port	Product weight	Part no.	Type
	3/2-way, single solenoid, closed	Sub-base, G1/2	880 g	4514746	VOFC-LT-M32C-M-FG12-F19
			900 g	4514747	VOFC-LT-M32C-M-FG12-F19A
				4527269	VOFC-LT-M32C-MC-FG13-F19A
				4527268	VOFC-LT-M32C-MC-FG13-F19


3/2-way valve, poppet valve, monostable, G1/2 pipe socket					
	Valve function	pneumatic working port	Product weight	Part no.	Type
	3/2-way, single solenoid, closed		880 g	4514748	VOFC-LT-M32C-MC-G12-F19

Ordering data


3/2-way valve, poppet valve, monostable, G1/2 pipe socket					
	Valve function	pneumatic working port	Product weight	Part no.	Type
	3/2-way, single solenoid, closed	G1/2	880 g	4514749	VOFC-LT-M32C-MC-G12-F19A

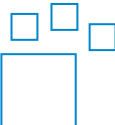
5/2-way valve, piston spool, monostable, G1/4 NAMUR					
	Valve function	pneumatic working port	Product weight	Part no.	Type
	5/2-way, single solenoid	Sub-base, G1/4	520 g	4514923	VOFC-L-M52-M-FG14-F19
				4514924	VOFC-L-M52-M-FG14-F19A

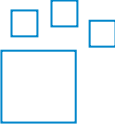
5/2-way valve piston spool, monostable, G1/4 pipe socket					
	Valve function	pneumatic working port	Product weight	Part no.	Type
	5/2-way, single solenoid	G1/4	520 g	4514926	VOFC-L-M52-M-G14-F19A
				4514925	VOFC-L-M52-M-G14-F19
				8155959	VOFC-L-M52-MY-G14-F19-18-1UK4-EX4ME
				8155960	VOFC-L-M52-MY-G14-F19A

5/2-way valve, piston spool, double solenoid, G1/4 NAMUR					
	Valve function	pneumatic working port	Product weight	Part no.	Type
	5/2-way, double solenoid	Sub-base, G1/4	680 g	4514930	VOFC-L-B52-FG14-F19A

Ordering data

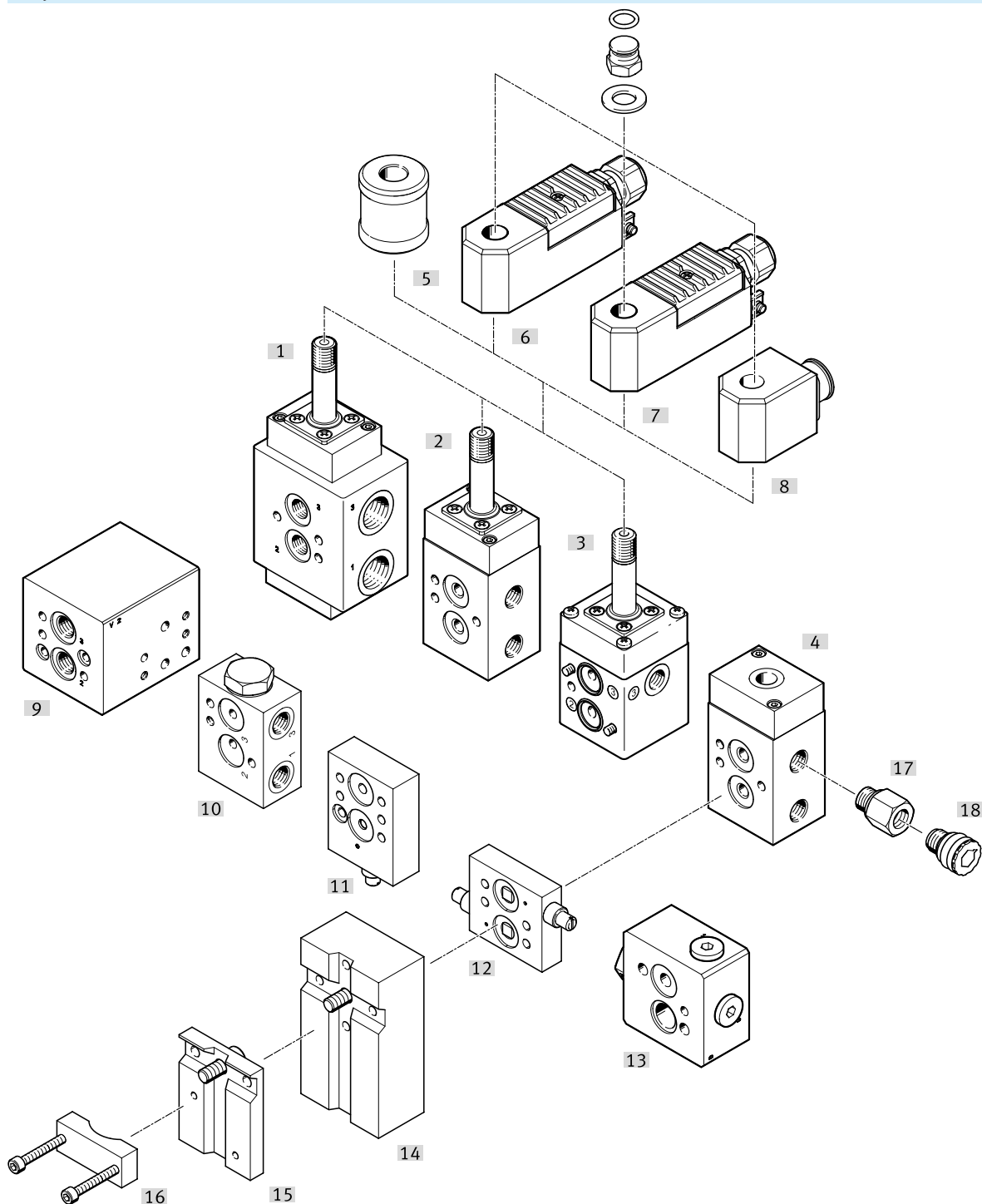
5/2-way valve, piston spool, double solenoid, G1/4 NAMUR					
	Valve function	pneumatic working port	Product weight	Part no.	Type
	5/2-way, double solenoid	Sub-base, G1/4	680 g	4514929	VOFC-L-B52-FG14-F19
		G1/4	790 g	4514928	VOFC-L-B52-G14-F19A
				4514927	VOFC-L-B52-G14-F19

Ordering data – Modular product system, poppet valves					
	Valve function	pneumatic working port	Product weight	Part no.	Type
	3/2-way, single solenoid, closed	Sub-base, G1/4, G1/2, 1/4 NPT, 1/2 NPT	550 ... 985 g	2868687	VOFC-LT-M32C-

Ordering data – Modular product system, piston spool valves					
	Valve function	pneumatic working port	Product weight	Part no.	Type
	3/2-way, single solenoid, closed, 5/2-way, double solenoid, 5/2-way, single solenoid	Sub-base, G1/4, 1/4 NPT	430 ... 960 g	3344863	VOFC-L

Peripherals

Peripherals overview

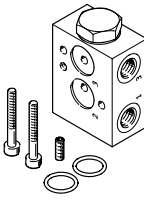


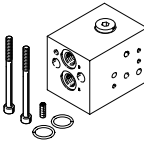
Accessories		→ Link
Type/order code	Description	
[1] Basic valve VOFC-LT-...-FG12-...-F19...	3/2-way valve, connection G1/2, poppet valve → Modular product system - configurable via the online configurator	vofc
[2] Basic valve VOFC-L-...-FG14-...-F19...	3/2-way valve, connection G1/4, piston spool → Modular product system - configurable via the online configurator	vofc
[3] Basic valve VOFC-LT-...-FG14-...-F19...	3/2-way valve, connection G1/4, poppet valve → Modular product system - configurable via the online configurator	vofc
[4] Directional control valve VOFC-L-...-SG14/SN14-...	3/2-way valve, 5/2-way valve, connection G1/4, piston spool → Modular product system - configurable via the online configurator	vofc
[5] Manual override VAOH-MB-S7-S13	Manual override (MO)	vaoh
[6] Solenoid coil VACC-S13-...3A	Type of ignition protection iA = intrinsically safe, for use in Zone 1	vacc

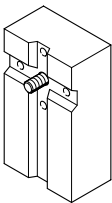
Peripherals

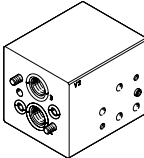
Accessories		→ Link
Type/order code	Description	
[7] Solenoid coil VACC-S13-...ME	Type of ignition protection ME = encapsulated, for use in Zone 1	71
[8] Solenoid coil VACC-S13...A1	IP 65, electrical plug pattern type A according to DIN EN 175-803	72
[9] Sub-base VABS-S7-RB-B-...14-V14-A	For mounting two solenoid valves for redundant circuits, with flange 1/4, connection pattern to NAMUR	69
[10] Sub-base VABS-S7-BE-B-...14-V14-A	Pressurisation and exhaust block, with flange 1/4, connection pattern to NAMUR	69
[11] Throttle plate VABF-S7-F1B5P1-F	Exhaust air throttle plate for NAMUR interface for installation between solenoid valve and single-acting drives	70
[12] Throttle plate VABF-S7-F1B1P2-F	Exhaust air throttle plate for NAMUR interface for installation between solenoid valve and double-acting drives	vabf
[13] Sub-base VABS-...	Sub-base for NAMUR interface for installation between solenoid valve and drives. Interface to the solenoid valve: VDI/VDE 3847. Interface to the drive: VDI/VDE 3845.	vabs
[14] Connection kit VABF-S7-S-G14	Mounting plate for attaching the valve to the NAMUR rib	vabf
[15] Mounting plate VAME-S7-P	Mounting plate for mounting the valve on the NAMUR rib	vame
[16] Mounting bracket VAME-S7-Y	Alternatively, (instead of using a screw) it is possible to fit the valve on the NAMUR rib using a mounting bracket	vame
[17] Adapter NPFV-AF-...-MF	Adapter with filter	npfv
[18] Exhaust protection VABD-D3-SN-...	Exhaust protection IP 65. The spring chamber of the solenoid valve is protected against the ingress of aggressive ambient air and water by the one-way flow control system	vabd

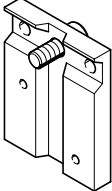
Accessories

Sub-base VABS-S7-BE...						
	Version	Connection direction	Pneumatic connection	Pneumatic connection, port 2	Part no.	Type
	Pressurisation/exhaust block	Underneath	G1/4	VDI/VDE 3845 (NAMUR)	2999476	VABS-S7-BE-B-G14-VDE1
			1/4 NPT		4727328	VABS-S7-BE-B-N14-VDE1
	On the side and underneath	G1/4	VDI/VDE 3847 (NAMUR)	8072668	VABS-S7-BE-BS-G14-VDE2	

Sub-base VABS-S7-RB...					
	Version	Pneumatic connection	Pneumatic connection, port 2	Part no.	Type
	Redundancy block	G1/4	VDI/VDE 3845 (NAMUR)	3580505	VABS-S7-RB-B-G14-VDE1-R12
			VDI/VDE 3847 (NAMUR)	8141067	VABS-S7-RB-B-G14-VDE2-R12
		1/4 NPT	VDI/VDE 3845 (NAMUR)	4727331	VABS-S7-RB-B-N14-VDE1-R12

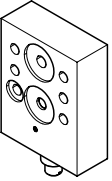
Sub-base VABS-S7-S-G14						
	Material plate	Material seals	LABS (PWIS) conformity	Operating medium	Part no.	Type
	Ematal coated aluminium	NBR	VDMA24364 zone III	Compressed air to ISO 8573-1:2010 [7:...]	563396	VABS-S7-S-G14-VDE1

Manifold block VABS					
	Pneumatic connection, port 1	Pneumatic connection, port 2	Pneumatic connection, port 3	Part no.	Type
	G1/4	VDI/VDE 3847 (NAMUR)	G1/4	8218246	VABS-S7-RB-B-G14-VDE2-R22

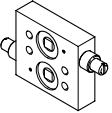
Mounting plate VAME-S7-P				
	Type of mounting	LABS (PWIS) conformity	Part no.	Type
	With through-hole	VDMA24364 zone III	563399	VAME-S7-P

Accessories

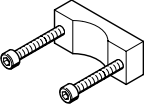
Throttle plate VABF for single-acting drives

	Type of mounting	LABS (PWIS) conformity	Material sub-base	Part no.	Type
	With through-hole	VDMA24364 zone III	Ematal coated aluminium	563401	VABF-S7-F1B5P1-F

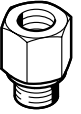
Throttle plate VABF for double-acting drives

	Type of mounting	LABS (PWIS) conformity	Material sub-base	Part no.	Type
	With through-hole	VDMA24364 zone III	Ematal coated aluminium	563395	VABF-S7-F1B1P2-F


Mounting bracket VAME

	Material mounting bracket	Note on materials	LABS (PWIS) conformity	Part no.	Type
	Ematal coated aluminium	RoHS compliant	VDMA24364 zone III	563403	VAME-S7-Y


Adapter with filter NPFV

	Pneumatic connection, port 1	Pneumatic connection, port 2	Material adapter	Material seals	Part no.	Type
	G1/4	G1/4	High-alloy stainless steel	NBR	563398	NPFV-AF-G14-G14-MF
		1/4 NPT			563397	NPFV-AF-G14-N14-MF
	1/4 NPT				4727333	NPFV-AF-N14-N14-MF


Exhaust protection VABD-D3-L-GN14

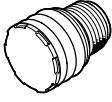
	Ambient temperature	Operating pressure	Operating medium	Part no.	Type
	-50 ... 60 °C	0 ... 10 bar	Compressed air to ISO 8573-1:2010 [7:-:-]	8177960	VABD-D3-L-GN14

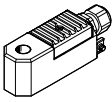
Exhaust protection VABD-D3-L-GN12

	Ambient temperature	Operating pressure	Operating medium	Part no.	Type
	-50 ... 60 °C	0 ... 12 bar	Compressed air to ISO 8573-1:2010 [7:-:-]	8177961	VABD-D3-L-GN12

Accessories

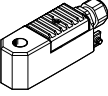
Exhaust protection VABD-D3-SN-G14					
	Ambient temperature	Operating pressure	Operating medium	Part no.	Type
	-50 ... 60 °C	0 ... 10 bar	Compressed air to ISO 8573-1:2010 [7:-:-]	563400	VABD-D3-SN-G14

Exhaust protection VABD-D3-SN-N12					
	Ambient temperature	Operating pressure	Operating medium	Part no.	Type
	-50 ... 60 °C	0 ... 12 bar	Compressed air to ISO 8573-1:2010 [7:-:-]	3535104	VABD-D3-SN-N12

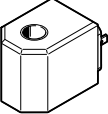
Encapsulated solenoid coil with increased safety, Ex-me, VACC-S13-...								
	Nominal operating voltage	Characteristic coil data	Explosion protection	Certification	Part no.	Type		
	24 V DC and AC	24 V DC: 1.8 W, 24 V AC: 40/65 Hz, power 1.8 VA	Zone 1 (BR), Zone 21 (BR)	INMETRO (Ex certification Brazil, EPL Gb and Db)	8118324	VACC-S13-18-K4-1U-NM4ME		
					8118327	VACC-S13-18-K4-1UF-NM4ME		
			Zone 1 (CN), Zone 21 (CN)	CCC-Ex (Ex certification China, EPL Gb and Db)	8118332	VACC-S13-18-K4-1UF-NE4ME		
					8118329	VACC-S13-18-K4-1U-NE4ME		
			Zone 1 (KR), Zone 21 (KR)	KOSHA (Ex certification Korea, EPL Gb and Db)	8156762	VACC-S13-18-K4-1UF-KS4ME		
					8156759	VACC-S13-18-K4-1U-KS4ME		
	110 V DC and AC	110 V DC: 1.8 W, 110 V AC: 40/65 Hz, power 1.8 VA	Zone 1 (BR), Zone 21 (BR)	INMETRO (Ex certification Brazil, EPL Gb and Db)	8118325	VACC-S13-18-K4-2U-NM4ME		
					Zone 1 (CN), Zone 21 (CN)	CCC-Ex (Ex certification China, EPL Gb and Db)	8118330	VACC-S13-18-K4-2U-NE4ME
							Zone 1 (KR), Zone 21 (KR)	KOSHA (Ex certification Korea, EPL Gb and Db)
	230 V DC and AC	230 V DC: 1.8 W, 230 V AC: 40/65 Hz, power 1.8 VA	Zone 1 (BR), Zone 21 (BR)	INMETRO (Ex certification Brazil, EPL Gb and Db)	8118326	VACC-S13-18-K4-3U-NM4ME		
					Zone 1 (CN), Zone 21 (CN)	CCC-Ex (Ex certification China, EPL Gb and Db)	8118331	VACC-S13-18-K4-3U-NE4ME
							Zone 1 (KR), Zone 21 (KR)	KOSHA (Ex certification Korea, EPL Gb and Db)
60 V DC and AC	60 V AC: 40/65 Hz, power 1.8 VA, 60 V DC: 1.8 W	Zone 1 (BR), Zone 21 (BR)	INMETRO (Ex certification Brazil, EPL Gb and Db)	8118328	VACC-S13-18-K4-27U-NM4ME			
				Zone 1 (CN), Zone 21 (CN)	CCC-Ex (Ex certification China, EPL Gb and Db)	8118333	VACC-S13-18-K4-27U-NE4ME	
						Zone 1 (KR), Zone 21 (KR)	KOSHA (Ex certification Korea, EPL Gb and Db)	8156763

Accessories

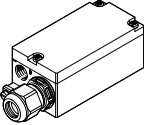
Solenoid coil, intrinsically safe Ex-ia, VACC-S13-11-...

	Nominal operating voltage	Characteristic coil data	Explosion protection	Certification	Part no.	Type
	24 V DC	14 - 32 V DC: 0.22 - 1.1 W	Zone 1 (ATEX), Zone 1 (IEC-EX), Zone 1 (UKEX), Zone 2 (ATEX), Zone 21 (ATEX), Zone 21 (IEC-EX), Zone 21 (UKEX), Zone 22 (ATEX)	None	8109401	VACC-S13-11-K4-1-EX4A
			Zone 1 (BR), Zone 21 (BR)	INMETRO (Ex certification Brazil, EPL Gb and Db)	8114078	VACC-S13-11-K4-1-NM4A
			Zone 1 (CN), Zone 21 (CN)	CCC-Ex (Ex certification China, EPL Gb and Db)	8114135	VACC-S13-11-K4-1-NE4A

Solenoid coil for armature system F19, VACC-S13-18-...

	Nominal operating voltage	Characteristic coil data	Certification	Electrical connection	Part no.	Type
	24 V DC	24 V DC: 2.1 W	None	Type A, Plug, To EN 175301-803	562889	VACC-S13-18-A1-1
	24 V DC and AC	24 V DC: 2.1 W, 24 V AC: 50/60 Hz, Power 2.1 VA			562890	VACC-S13-18-A1-1U
	110 V DC and AC	110 V DC: 1.8 W, 110 V AC: 50/60 Hz, power 1.8 VA			562891	VACC-S13-18-A1-2U
	230 V DC and AC	230 V DC: 1.8 W, 230 V AC: 50/60 Hz, power 1.8 VA			562892	VACC-S13-18-A1-3U

Pilot control for VACC-P2

	Solenoid coil type	Electrical connection	Characteristic coil data	Nominal operating voltage	Part no.	Type
	Pilot valves with CNOMO interface size 30 mm to ISO 152182	Spring-loaded terminal, Terminal box, cable entry thread M20x1.5	14 - 30 V DC: 0.04 - 0.19 W	24 V DC	8204400	VACC-P2-0.4-K4-1-EX4A
			6 - 16 V DC: 0.012 - 0.1 W	12 V DC	8204401	VACC-P2-0.12-K4-5-EX4A