

Ball valve VZBA

FESTO



Characteristics

At a glance

The automatable 3-way ball valve VZBA is made of stainless steel for trouble-free control of aggressive media or gases in piping systems.

- Automated 2- or 3-way ball valve
- Stainless steel design
- Blow-out proof shaft
- Can be operated manually using the hand lever
- Connecting thread according to EN 10226-1
- Mounting flange according to ISO 5211
- Use in zones 1, 21, 2, 22

Type code

001	Series	
VZBA	Ball valve	

002	Nominal diameter DN	
1/4	1/4"	
3/8	3/8"	
1/2	1/2"	
3/4	3/4"	
1	1"	
1 1/4	1 1/4"	
1 1/2	1 1/2"	
2	2"	
2 1/2	2 1/2"	
3	3"	
4	4"	

003	Process valve connection type 1	
G	Rp female thread	
W	Suitable for welding	

004	Process valve connection type 2	
G	Rp female thread	
W	Suitable for welding	

005	Process valve connection type 3	
	None	
G	Rp female thread	

006	Nominal pressure [bar]	
63	63	

007	Design type	
	Standard	
T	Three-part	

008	Valve function	
22	2/2-way	
32L	3/2-way, L-bore	
32T	3/2-way, T-bore	

009	Flanged connection	
F0304	Hole pattern 03 and 04	
F0405	Hole pattern 04 and 05	
F0507	Hole pattern 05 and 07	
F0710	Hole pattern 07 and 10	
F10	Hole pattern 10	

010	Housing material	
V4	Stainless steel (chrome-nickel-molybdenum, austenitic/1.4401, 1.4404 (AISI 316L), 1.4408)	

011	Shut-off element material	
V4	Stainless steel (chrome-nickel-molybdenum, austenitic/1.4401, 1.4404 (AISI 316L), 1.4408)	

012	Sealant	
T	PTFE	

Datasheet

General technical data, process valve with pipe thread, 2-way

Nominal size DN	8	10	15	20	25	32	40	50	65	80	100
Connection Process valve	Rp1/4	Rp3/8	Rp1/2	Rp3/4	Rp1	Rp1 1/4	Rp1 1/2	Rp2	Rp2 1/2	Rp3	Rp4
Nominal pressure PN	63										
Valve function	2/2										
Design	2-way ball valve										
Sealing principle	Soft										
Type of actuation	Mechanical										
Manual override	None										
Switching position indicator	Slot direction = flow direction										
Flow direction	Reversible										
Type of mounting	Inline installation										
Mounting position	Any										
Based on standard	DIN 3202-M3, EN 10226-1, ISO 5211										
Actuating torque	6 Nm		10 Nm	14 Nm	17 Nm	24 Nm	29 Nm	44 Nm	78 Nm	112 Nm	140 Nm
Inside diameter	10 mm	12 mm	16 mm	20 mm	25 mm	32 mm	38 mm	50 mm	65 mm	80 mm	100 mm
Flow rate Kv	7 m3/h	10 m3/h	19.4 m3/h	45.6 m3/h	71.5 m3/h	105 m3/h	170 m3/h	275 m3/h	507 m3/h	905 m3/h	1,414 m3/h

General technical data, process valve with welding ends, 2-way

Nominal size DN	8	10	15	20	25	32	40	50	65	80	100
Connection Process valve	Weld-on ends/weld-on ends										
Nominal pressure PN	63										
Valve function	2/2										
Design	2-way ball valve										
Sealing principle	Soft										
Type of actuation	Mechanical										
Manual override	None										
Switching position indicator	Slot direction = flow direction										
Flow direction	Reversible										
Type of mounting	Inline installation										
Mounting position	Any										
Based on standard	DIN 3202-S13, ISO 5211										
Actuating torque	6 Nm		10 Nm	14 Nm	17 Nm	24 Nm	29 Nm	44 Nm	78 Nm	112 Nm	140 Nm
Inside diameter	10 mm	12 mm	16 mm	20 mm	25 mm	32 mm	38 mm	50 mm	65 mm	80 mm	100 mm
Flow rate Kv	7 m3/h	10 m3/h	19.4 m3/h	45.6 m3/h	71.5 m3/h	105 m3/h	170 m3/h	275 m3/h	507 m3/h	905 m3/h	1,414 m3/h

Operating and environmental conditions, process valve with pipe thread, 2-way

Nominal size DN	8	10	15	20	25	32	40	50	65	80	100
Medium ¹⁾	Compressed air to ISO 8573-1:2010 [:-:-], Inert gases, Water – no steam, Neutral fluids, Other media on request										
Nominal pressure PN	63										
Media temperature	-10 ... 200°C										
Corrosion resistance class CRC ²⁾	3 - high corrosion stress										
CE mark (see declaration of conformity)	–					In accordance with EU Pressure Equipment Directive					
UKCA marking (see declaration of conformity)	–					to UK Pressure Equipment Regulations					

1) Other flow media on request

2) Corrosion resistance class CRC 3 to Festo standard FN 940070 High corrosion stress. Outdoor exposure under moderate corrosive conditions. External visible parts with primarily functional surface requirements that are in direct contact with a normal industrial atmosphere.

Datasheet

Operating and environmental conditions, process valve with welding ends, 2-way											
Nominal size DN	8	10	15	20	25	32	40	50	65	80	100
Medium ¹⁾	Compressed air to ISO 8573-1:2010 [:-:-], Inert gases, Water – no steam, Neutral fluids, Other media on request										
Nominal pressure PN	63										
Media temperature	-10 ... 200°C										
Corrosion resistance class CRC ²⁾	3 - high corrosion stress										
CE mark (see declaration of conformity)	–					In accordance with EU Pressure Equipment Directive					
UKCA marking (see declaration of conformity)	–					to UK Pressure Equipment Regulations					

1) Other flow media on request

2) Corrosion resistance class CRC 3 to Festo standard FN 940070 High corrosion stress. Outdoor exposure under moderate corrosive conditions. External visible parts with primarily functional surface requirements that are in direct contact with a normal industrial atmosphere.

General technical data, 3-way								
Nominal size DN	8	10	15	20	25	32	40	50
Connection Process valve	Rp1/4	Rp3/8	Rp1/2	Rp3/4	Rp1	Rp1 1/4	Rp1 1/2	Rp2
Valve function	3/2							
Design	3-way ball valve, L-bore, T-bore							
Sealing principle	Soft							
Type of actuation	Mechanical							
Manual override	None							
Switching position indicator	Slot direction = flow direction							
Flow direction	Reversible							
Type of mounting	Inline installation							
Mounting position	Any							
Based on standard	EN 10226-1, ISO 5211							
Actuating torque	13 Nm			18 Nm	22 Nm	35 Nm	42 Nm	68 Nm
Inside diameter	11.6 mm	12.7 mm		16 mm	20 mm	25.4 mm	31.8 mm	38.1 mm
Flow rate Kv L hole ¹⁾	4.5 m ³ /h		4.7 m ³ /h	5.1 m ³ /h	11.8 m ³ /h	19.6 m ³ /h	33.2 m ³ /h	53.7 m ³ /h
Flow rate Kv T hole straight ²⁾	8 m ³ /h		8.3 m ³ /h		22.4 m ³ /h	36.5 m ³ /h	62 m ³ /h	100 m ³ /h
Flow rate Kv T hole angled ³⁾	4.5 m ³ /h		4.8 m ³ /h		10.9 m ³ /h	18 m ³ /h	30 m ³ /h	48.8 m ³ /h
Product weight	700 g			1,000 g	1,600 g	2,800 g	3,800 g	7,400 g

1) Ball with L-shaped drilled hole

2) Ball with T-shaped drilled hole, straight flow

3) Ball with T-shaped drilled hole, flow around the corner

Operating and environmental conditions, 3-way								
Nominal size DN	8	10	15	20	25	32	40	50
Medium ¹⁾	Compressed air to ISO 8573-1:2010 [:-:-], Inert gases, Water – no steam, Neutral fluids, Other media on request							
Nominal pressure PN	63							
Media temperature	-10 ... 200°C							
Corrosion resistance class CRC ²⁾	3 - high corrosion stress							
CE mark (see declaration of conformity)	–					In accordance with EU Pressure Equipment Directive		
UKCA marking (see declaration of conformity)	–					to UK Pressure Equipment Regulations		

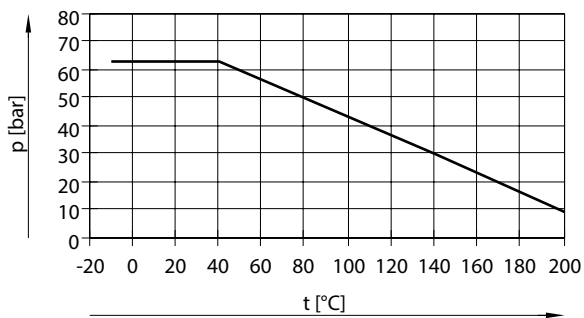
1) Other flow media on request

2) Corrosion resistance class CRC 3 to Festo standard FN 940070 High corrosion stress. Outdoor exposure under moderate corrosive conditions. External visible parts with primarily functional surface requirements that are in direct contact with a normal industrial atmosphere.

Datasheet

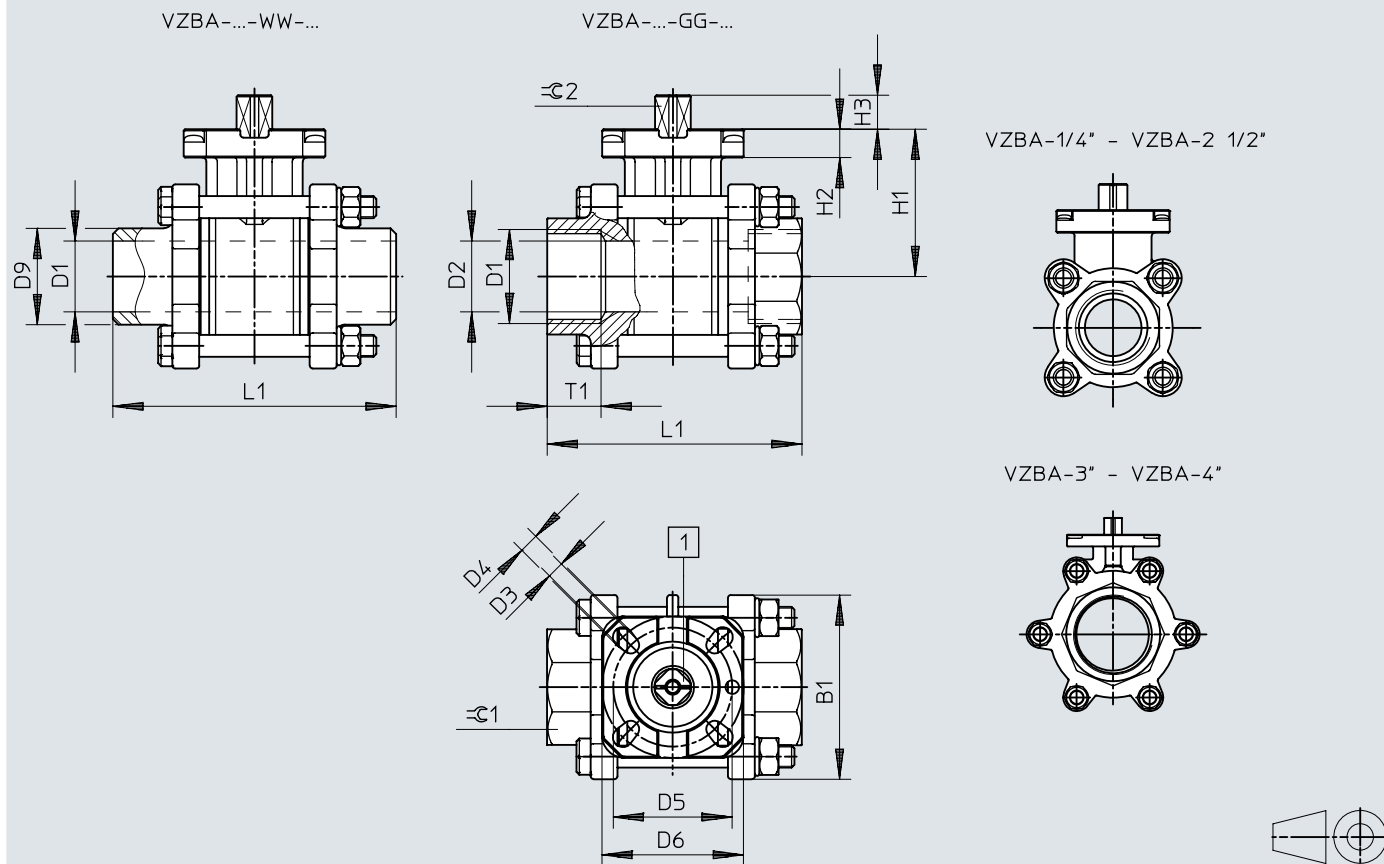
Materials, 2/3-way

Material housing	High-alloy stainless steel
Material number housing	1,4408
Material ball	High-alloy stainless steel
Material number ball	1,4408
Material shaft	High-alloy stainless steel
Material number shaft	1,4401
Material seat seal	PTFE, modified
Material seals	Fluoro rubber, PTFE, PTFE-reinforced
Note on materials	RoHS compliant

Permissible operating pressure p as a function of temperature of medium t 

Dimensions

Dimensions – Ball valves VZBA, 2-way

Download CAD data www.festo.com

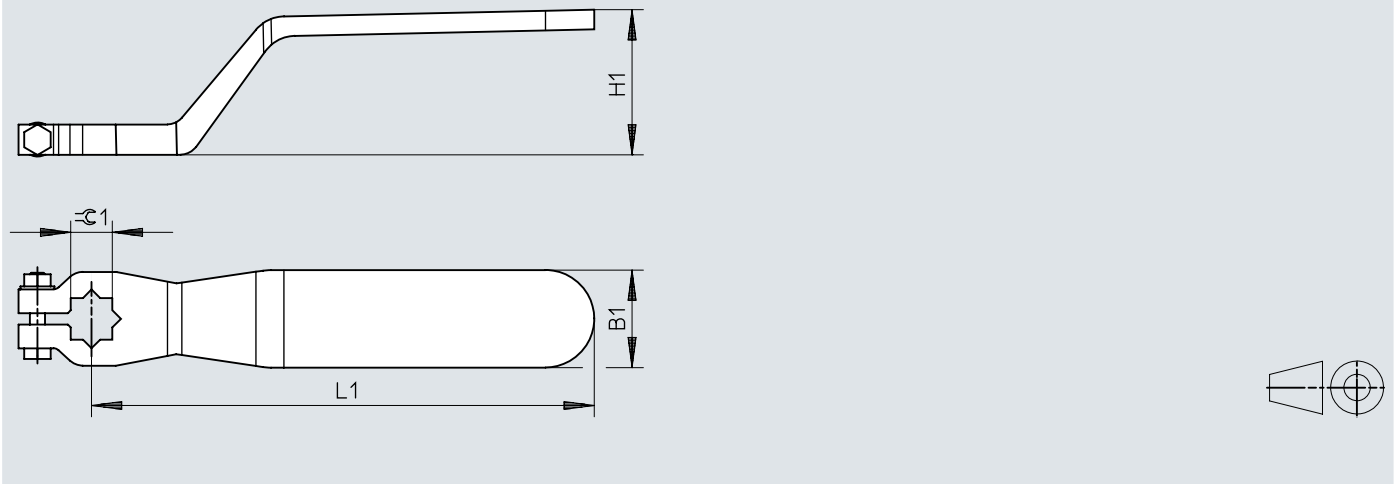
[1] Switching position indicator: the slot direction corresponds to the flow direction

	B1	D1 ø ±0,15	D2	D3 ø	D4 ø	D5 ø	D6 ø	D9 ø	H1	H2	H3 ±0,5	L1 ±2	T1	≡ 1	≡ 2 -0,1
VZBA-1/4"-GG-63-T-22-F0304-V4V4T	42	10	Rp1/4	6	6	36	42	-	40	9	8,5	65	14,5	24	9
VZBA-3/8"-GG-63-T-22-F0304-V4V4T	42	12	Rp3/8	6	6	36	42	-	40	9	8,5	65	14,5	24	9
VZBA-1/2"-GG-63-T-22-F0304-V4V4T	49	16	Rp1/2	6	6	36	42	-	40	9	8,5	75	16	29	9
VZBA-3/4"-GG-63-T-22-F0304-V4V4T	54	20	Rp3/4	6	6	36	42	-	44	9	8,5	80	17	35	9
VZBA-1"-GG-63-T-22-F0405-V4V4T	60,5	25	Rp1	6	7	42	50	-	52	10	11,5	90	19	41	11
VZBA-1 1/4"-GG-63-T-22-F0405-V4V4T	71,5	32	Rp1 1/4	6	7	42	50	-	58	10	11,5	110	23	50	11
VZBA-1 1/2"-GG-63-T-22-F0507-V4V4T	80,5	38	Rp1 1/2	7	9	50	70	-	68	13	15,5	120	24	58	14
VZBA-2"-GG-63-T-22-F0507-V4V4T	99,5	50	Rp2	7	9	50	70	-	77	13	15,5	140	25,8	73	14
VZBA-2 1/2"-GG-63-T-22-F0710-V4V4T	127	65	Rp2 1/2	9	11	70	102	-	98	13	18,5	185	34	90	17
VZBA-3"-GG-63-T-22-F0710-V4V4T	191	80	Rp3	9	11	70	102	-	110	13	18,5	205	36	105	17
VZBA-4"-GG-63-T-22-F10-V4V4T	222	100	Rp4	-	11	-	102	-	138	16	23,5	240	38	135	22
VZBA-1/4"-WW-63-T-22-F0304-V4V4T	42	10	-	6	6	36	42	16	40	9	8,5	70	-	-	9
VZBA-3/8"-WW-63-T-22-F0304-V4V4T	42	12	-	6	6	36	42	18	40	9	8,5	70	-	-	9
VZBA-1/2"-WW-63-T-22-F0304-V4V4T	49	16	-	6	6	36	42	22	40	9	8,5	75	-	-	9
VZBA-3/4"-WW-63-T-22-F0304-V4V4T	54	20	-	6	6	36	42	28	44	9	8,5	90	-	-	9
VZBA-1"-WW-63-T-22-F0405-V4V4T	60,5	25	-	6	7	42	50	35	52	10	11,5	100	-	-	11
VZBA-1 1/4"-WW-63-T-22-F0405-V4V4T	71,5	32	-	6	7	42	50	44	58	10	11,5	110	-	-	11
VZBA-1 1/2"-WW-63-T-22-F0507-V4V4T	80,5	38	-	7	9	50	70	50	68	13	15,5	125	-	-	14
VZBA-2"-WW-63-T-22-F0507-V4V4T	99,5	50	-	7	9	50	70	62	77	13	15,5	150	-	-	14
VZBA-2 1/2"-WW-63-T-22-F0710-V4V4T	127	65	-	9	11	70	102	77	98	13	18,5	190	-	-	17
VZBA-3"-WW-63-T-22-F0710-V4V4T	191	80	-	9	11	70	102	91	110	13	18,5	220	-	-	17
VZBA-4"-WW-63-T-22-F10-V4V4T	222	100	-	-	11	-	102	117	138	16	23,5	270	-	-	22

Dimensions

Dimensions – Hand lever VAOH, 2-way

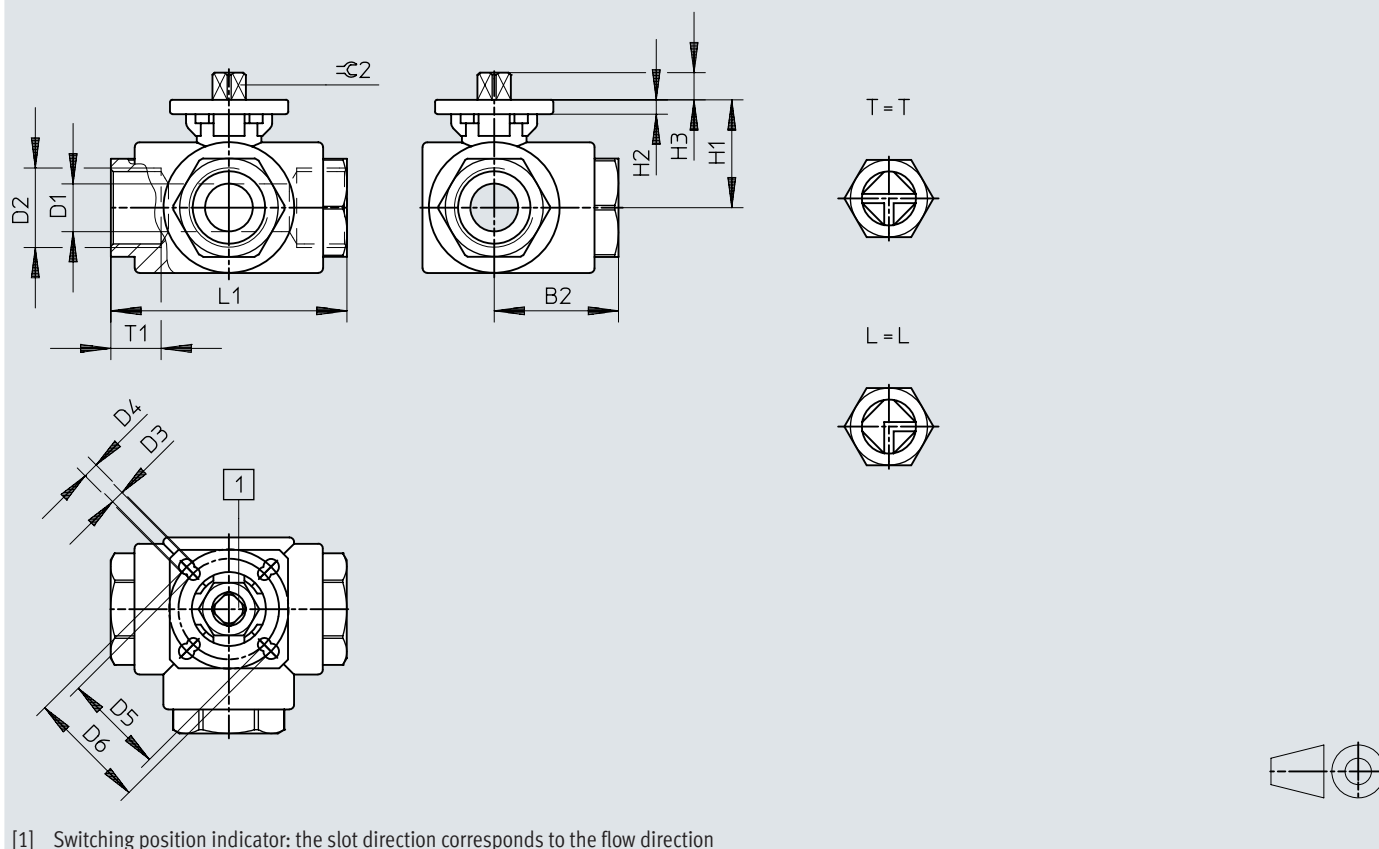
Download CAD data www.festo.com



		B1 ±5	H1 ±5	L1 ±10	$\approx C1$ ±0,5
VAOH-9-H9	Rp1/4 ... Rp3/4	21	36	120	9
VAOH-11-H9	Rp1 ... Rp1 1/4	26	40	140	11
VAOH-14-H9	Rp1 1/2 ... Rp2	31	46	180	14
VAOH-17-H9	Rp2 1/2 ... Rp3	36	55	240	17
VAOH-22-H9	Rp4	36	70	280	22

Dimensions

Dimensions – Ball valves VZBA, 3-way

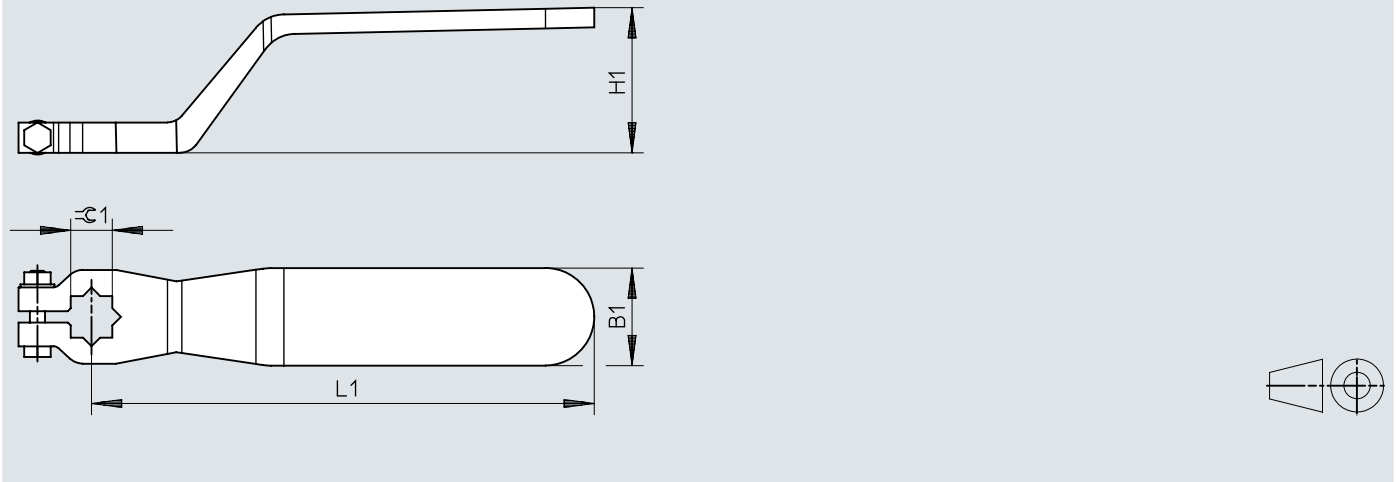
Download CAD data www.festo.com

	B2	D1 ∅	D2	D3 ∅	D4 ∅	D5 ∅	D6 ∅	H1	H2	H3	L1	T1	≈∅ 2 -0,1
VZBA-1/4"-GGG-63-32L-F0304-V4V4T	40	11,6	Rp1/4	5,5	5,5	36	42	35,9	6	7,4	80	15	9
VZBA-1/4"-GGG-63-32T-F0304-V4V4T													
VZBA-3/8"-GGG-63-32L-F0304-V4V4T	40	12,7	Rp3/8	5,5	5,5	36	42	35,9	6	7,4	80	18	9
VZBA-3/8"-GGG-63-32T-F0304-V4V4T													
VZBA-1/2"-GGG-63-32L-F0304-V4V4T	40	12,7	Rp1/2	5,5	5,5	36	42	35,9	6	7,4	80	17,5	9
VZBA-1/2"-GGG-63-32T-F0304-V4V4T													
VZBA-3/4"-GGG-63-32L-F0405-V4V4T	43,8	16	Rp3/4	5,5	6,5	42	50	40,9	6	12,8	87,5	20	11
VZBA-3/4"-GGG-63-32T-F0405-V4V4T													
VZBA-1"-GGG-63-32L-F0405-V4V4T	50	20	Rp1	5,5	6,5	42	50	45,2	6	11,4	100	21	11
VZBA-1"-GGG-63-32T-F0405-V4V4T													
VZBA-1 1/4"-GGG-63-32L-F0405-V4V4T	61,5	25,4	Rp1 1/4	5,5	6,5	42	50	51	6	12,6	123	21	11
VZBA-1 1/4"-GGG-63-32T-F0405-V4V4T													
VZBA-1 1/2"-GGG-63-32L-F0405-V4V4T	71,1	31,8	Rp1 1/2	5,5	6,5	42	50	55,5	6	12,6	142,2	23	11
VZBA-1 1/2"-GGG-63-32T-F0405-V4V4T													
VZBA-2"-GGG-63-32L-F0507-V4V4T	85,3	38,1	Rp2	6,5	8,5	50	70	66	6	14,3	170,6	26	14
VZBA-2"-GGG-63-32T-F0507-V4V4T													

Dimensions

Dimensions – Hand lever VAOH, 3-way

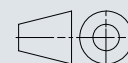
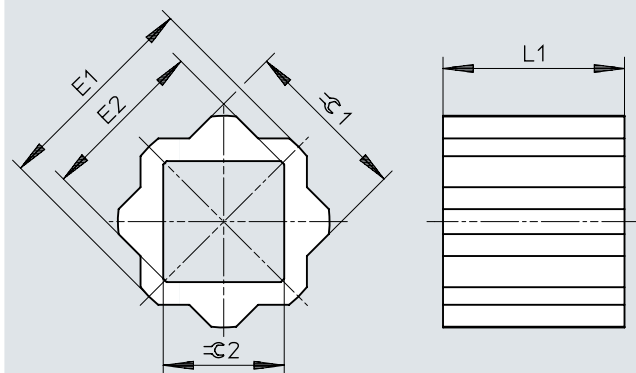
Download CAD data www.festo.com



		B1 ±5	H1 ±5	L1 ±10	$\varnothing 1$ ±0,5
VAOH-9-H9	Rp1/4 ... Rp1/2	21	36	120	9
VAOH-11-H9	Rp3/4 ... Rp1 1/2	26	40	140	11
VAOH-14-H9	Rp2	31	46	180	14

Dimensions

Dimensions – Reducing sleeve DARQ

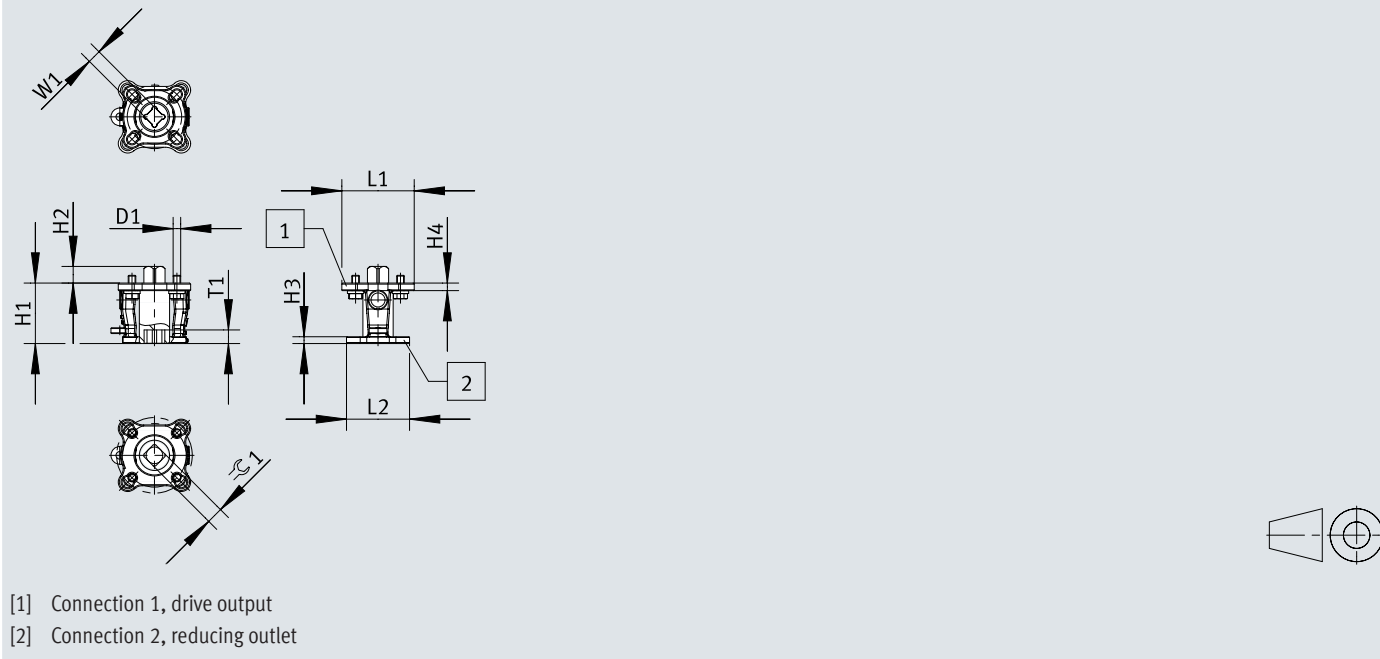
Download CAD data www.festo.com

	E1 +0,1/-0,3	E2 +0,3/-0,1	L1 ±0,2	∅ 1 -0,02/-0,12	∅ 2 +0,04/+0,18
DARQ-R-A-S11-S8-...	14	11	12	11	8
DARQ-R-A-S11-S9-...	14	12,3	11	11	9
DARQ-R-A-S14-S8-...	18	11	16	14	8
DARQ-R-A-S14-S9-...	18	12,3	16	14	9
DARQ-R-A-S14-S10-...	18	13,3	16	14	10
DARQ-R-A-S14-S11-...	18	14,3	16	14	11
DARQ-R-A-S14-S12-...	18	16,3	16	14	12
DARQ-R-A-S17-S8-...	22	11	17	17	8
DARQ-R-A-S17-S9-...	22	12,3	17	17	9
DARQ-R-A-S17-S11-...	22	14,3	17	17	11
DARQ-R-A-S17-S12-...	22	16,3	17	17	12
DARQ-R-A-S17-S14-...	22	18,3	17	17	14
DARQ-R-A-S22-S11-...	28	14,3	22	22	11
DARQ-R-A-S22-S14-...	28	18,3	22	22	14
DARQ-R-A-S22-S16-...	28	21,3	22	22	16
DARQ-R-A-S22-S17-...	28	22,3	22	22	17
DARQ-R-A-S27-S14-...	36	18,3	27	27	14
DARQ-R-A-S27-S17-...	36	22,3	27	27	17
DARQ-R-A-S27-S22-...	36	28,5	27	27	22
DARQ-R-A-S36-S22-...	48	28,5	36	36	22
DARQ-R-A-S36-S27-...	48	36,1	36	36	27
DARQ-R-A-S46-S22-...	59	28,5	46	46	22
DARQ-R-A-S46-S27-...	59	36,1	46	46	27
DARQ-R-A-S46-S36-...	59	48	46	46	36

Dimensions

Dimensions – Mounting kit DARQ

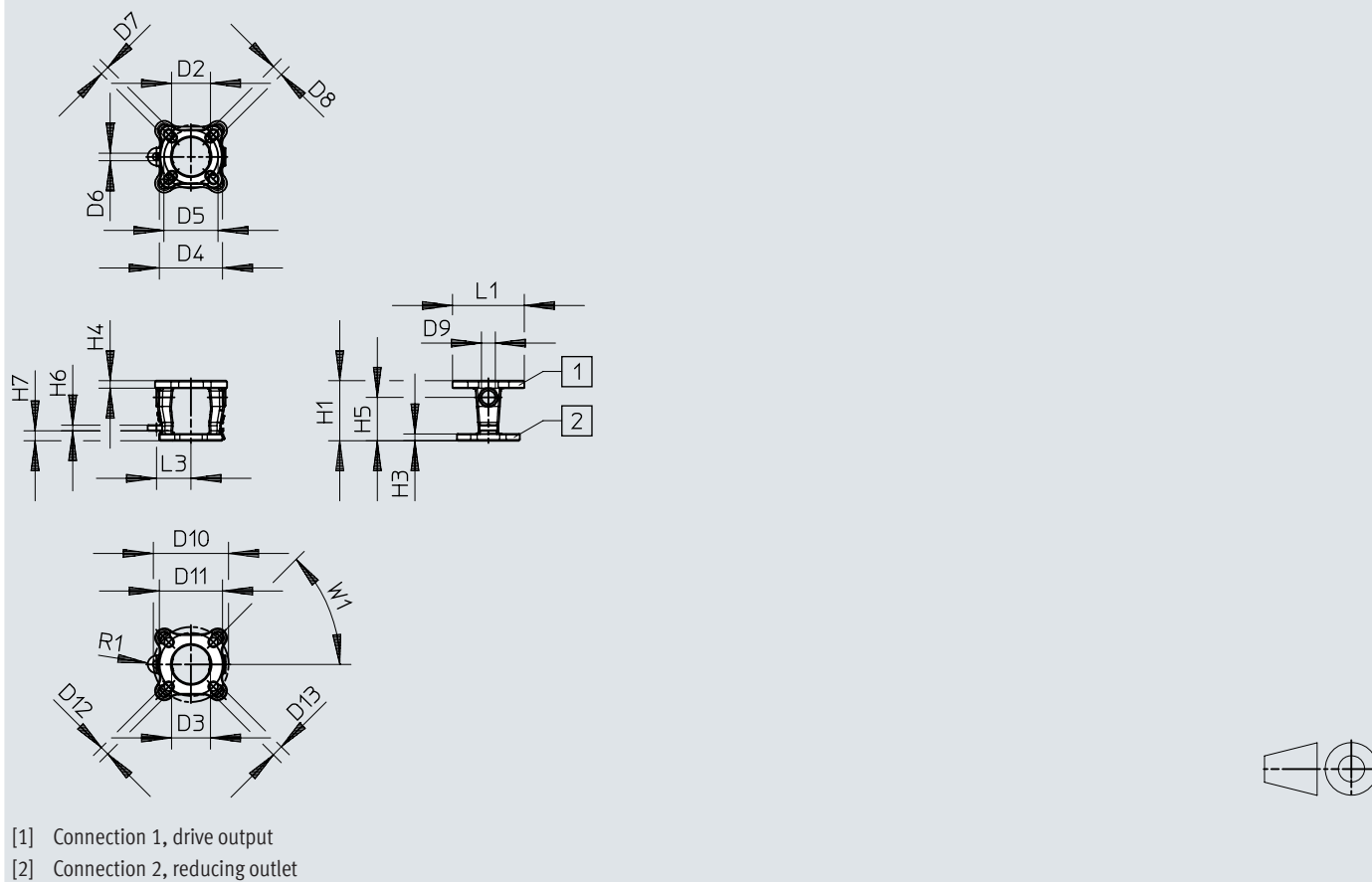
Download CAD data www.festo.com



	D1	H1	H2	H3	H4	L1	L2	T1	W1 H11	≅ 1 h11
DARQ-K-V-F04S11-F03S9-R1	M5	40	11	3,2	5	46	23	9	9	11
DARQ-K-V-F05S14-F03S9-R1	M6	40	15	3,2	5	46	23	9	9	14
DARQ-K-V-F05S14-F04S11-R1	M6	40	15	3,2	5	46	23	11	11	14
DARQ-K-V-F07S17-F04S11-R1	M8	50	18	6	6	66	30,5	11	11	17
DARQ-K-V-F07S17-F05S14-R1	M8	50	18	6	6	66	30,5	15	14	17
DARQ-K-V-F10S22-F05S14-R1	M10	75	23	10	9,5	132,1	63	15	14	22
DARQ-K-V-F10S22-F07S17-R1	M10	75	23	10	9,5	132,1	63	18	17	22
DARQ-K-V-F10S27-F07S17-R1	M10	75	28	10	9,5	132,1	63	18	17	27

Dimensions

Dimensions – Mounting flange adapter DARQ-B-...R1

Download CAD data www.festo.com

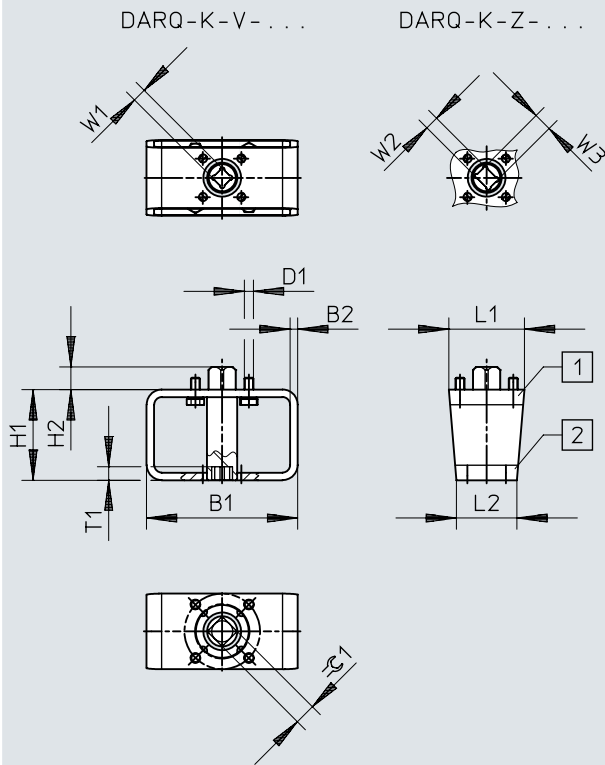
	D2 ø	D3 ø	D4 ø	D5 ø	D6 ø	D7 ø	D8 ø	D9 ø	D10 ø	D11 ø
DARQ-B-F0405-F0304-...	25,9	25,9	42	36	5,1	6,1	6,1	9,4	50	42
DARQ-B-F0507-F0405-...	30,5	36,8	50	42	5,1	7,6	6,6	10,9	70	50
DARQ-B-F0710-F0507-...	38,6	50	70	50	5,1	8,9	7,1	14	102	70
DARQ-B-F1012-F10-...	69,9	76,2	–	102	5,1	–	11,2	17,3	125	102

	D12 ø	D13 ø	H1	H3	H4	H5	H6	H7	L1	L3	W1
DARQ-B-F0405-F0304-...	6,1	7,6	39,9	3,2	5	28,2	3,8	7,1	46	22,9	45°
DARQ-B-F0507-F0405-...	7,6	10,2	50	6	6	36,3	3,8	7,1	66	30,5	45°
DARQ-B-F0710-F0507-...	8,9	10,9	74,9	9,5	9,5	50,5	3,8	7,1	102,1	39,1	45°
DARQ-B-F1012-F10-...	11,2	13	80	10	9,5	58,4	3,8	7,1	132,1	63	45°

Dimensions

Dimensions – Mounting kit DARQ

Download CAD data www.festo.com



- [1] Connection 1, drive output
- [2] Connection 2, reducing outlet

Dimensions

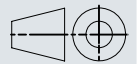
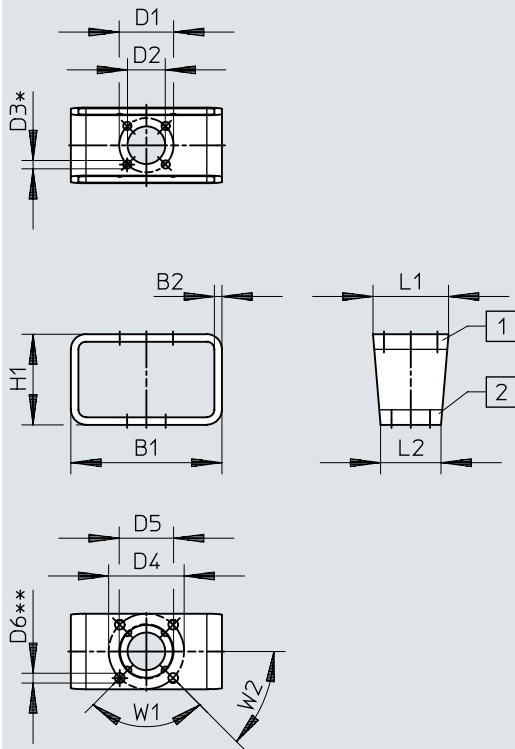
	B1	B2	D1	H1	H2	L1	L2	T1	W1 H11	± 1 h11
DARQ-K-V-F03S9-F03S9-...	80	4	M5	50	9	40	40	9	9	9
DARQ-K-V-F04S11-F03S9-...	80	4	M5	50	11	45	40	9	9	11
DARQ-K-V-F04S11-F04S11-...	80	4	M5	50	11	45	45	11	11	11
DARQ-K-V-F05S14-F03S9-...	100	5	M6	60	15	50	40	9	9	14
DARQ-K-V-F05S14-F04S11-...	100	5	M6	60	15	50	45	11	11	14
DARQ-K-V-F05S14-F05S14-...	100	5	M6	60	15	50	50	15	14	14
DARQ-K-V-F07S17-F03S9	100	5	M8	60	18	70	45	9	9	17
DARQ-K-V-F07S17-F04S11-...	100	5	M8	60	18	70	45	11	11	17
DARQ-K-V-F07S17-F05S14-...	100	5	M8	60	18	70	50	15	14	17
DARQ-K-V-F07S17-F07S14-...	100	5	M8	60	18	70	70	15	14	17
DARQ-K-V-F07S22-F05S11-...	100	5	M8	60	23	70	50	11	11	22
DARQ-K-V-F10S22-F04S11	120	5	M10	80	22	95	50	11	11	22
DARQ-K-V-F10S22-F05S14-...	120	5	M10	80	22,5	95	50	15	14	22
DARQ-K-V-F10S22-F07S17-...	120	5	M10	80	22,5	95	70	18	17	22
DARQ-K-V-F10S22-F10S22-...	120	5	M10	80	22,5	95	95	22,5	22	22
DARQ-K-V-F10S27-F05S14-...	120	5	M10	80	27,5	95	50	15	14	27
DARQ-K-V-F10S27-F07S14-...	120	5	M10	80	27,5	95	70	15	14	27
DARQ-K-V-F10S27-F07S17-...	120	5	M10	80	27,5	95	70	18	17	27
DARQ-K-V-F12S27-F05S14	160	6	M12	80	27	115	70	15	14	27
DARQ-K-V-F12S27-F07S14	160	6	M12	80	27	115	70	15	14	27
DARQ-K-V-F12S27-F07S17-...	160	6	M12	80	27	115	70	18	17	27
DARQ-K-V-F12S27-F10S22-...	160	6	M12	80	27	115	95	22,5	22	27
DARQ-K-V-F12S27-F12S27-...	160	6	M12	80	27	115	115	27,5	27	27

	B1	B2	D1	H1	H2	L1	L2	T1	W2 -0,1	W3 H11	± 1 h11
DARQ-K-Z-F03S9-F03S9-...	80	4	M5	50	9	40	40	14	9	12,1	9
DARQ-K-Z-F04S11-F03S9-...	80	4	M5	50	11	45	40	14	9	12,1	11
DARQ-K-Z-F04S11-F04S11-...	80	4	M5	50	11	45	45	17	11	14,1	11
DARQ-K-Z-F05S14-F03S9-...	100	5	M6	60	15	50	40	14	9	12,1	14
DARQ-K-Z-F05S14-F04S11-...	100	5	M6	60	15	50	45	17	11	14,1	14
DARQ-K-Z-F05S14-F05S14-...	100	5	M6	60	15	50	50	21	14	18,1	14
DARQ-K-Z-F07S17-F04S11-...	100	5	M8	60	18	70	45	17	11	14,1	17
DARQ-K-Z-F07S17-F05S14-...	100	5	M8	60	18	70	50	21	14	18,1	17
DARQ-K-Z-F07S17-F07S14-...	100	5	M8	60	18	70	70	21	14	18,1	17
DARQ-K-Z-F10S22-F05S14-...	120	5	M10	80	22,5	95	50	21	14	18,1	22
DARQ-K-Z-F10S22-F07S17-...	120	5	M10	80	22,5	95	70	26	17	22,2	22
DARQ-K-Z-F10S22-F10S22-...	120	5	M10	80	22,5	95	95	33	22	28,2	22

Dimensions

Dimensions – Mounting adapter DARQ

Download CAD data www.festo.com




- [1] Drive outlet flange 1
- [2] Reducing outlet flange 2
- [3] * = N1 (number of holes flange 1)
- [4] ** = N2 (number of holes flange 2)


Dimensions


	B1	B2	D1 ∅	D2 ∅	D3 ∅	D4 ∅	D5 ∅	D6 ∅	H1	L1	L2	*N1	**N2	W1	W2
DARQ-B-F03-F03-...	80	4	36	25	5,5	36	25	5,5	50	40	40	4	4	90°	45°
DARQ-B-F04-F03-...	80	4	36	25	5,5	42	30	5,5	50	45	40	4	4	90°	45°
DARQ-B-F04-F04-...	80	4	42	30	5,5	42	30	5,5	50	45	45	4	4	90°	45°
DARQ-B-F05-F03-...	100	5	36	25	5,5	50	35	6,5	60	50	40	4	4	90°	45°
DARQ-B-F05-F04-...	100	5	42	30	5,5	50	35	6,5	60	50	45	4	4	90°	45°
DARQ-B-F05-F05-...	100	5	50	35	6,5	50	35	6,5	60	50	50	4	4	90°	45°
DARQ-B-F07-F04-...	100	5	42	30	5,5	70	55	9	60	70	45	4	4	90°	45°
DARQ-B-F07-F05-...	100	5	50	35	6,5	70	55	9	60	70	50	4	4	90°	45°
DARQ-B-F07-F07-...	100	5	70	55	9	70	55	9	60	70	70	4	4	90°	45°
DARQ-B-F10-F05-...	120	5	50	35	6,5	102	70	11	80	95	50	4	4	90°	45°
DARQ-B-F10-F07-...	120	5	70	55	9	102	70	11	80	95	70	4	4	90°	45°
DARQ-B-F10-F10-...	120	5	102	70	11	102	70	11	80	95	95	4	4	90°	45°
DARQ-B-F12-F07-...	160	6	70	55	9	125	85	13	80	115	70	4	4	90°	45°
DARQ-B-F12-F10-...	160	6	102	70	11	125	85	13	80	115	95	4	4	90°	45°
DARQ-B-F12-F12-...	160	6	125	85	13	125	85	13	80	115	115	4	4	90°	45°


	B1	B2	D1 ∅	D2 ∅	D3 ∅	D4 ∅	D5 ∅	D6 ∅	H1	L1	L2	*N1	**N2	W1	W2
DARQ-B-F14-F10-...	160	6	102	70	11	140	100	17	80	135	95	4	4	90°	45°
DARQ-B-F14-F12-...	160	6	125	85	13	140	100	17	80	135	115	4	4	90°	45°
DARQ-B-F14-F14-...	160	6	140	100	17	140	100	17	80	135	135	4	4	90°	45°
DARQ-B-F16-F12-...	200	6	125	85	13	165	130	21	100	160	115	4	4	90°	45°
DARQ-B-F16-F14-...	200	6	140	100	17	165	130	21	100	160	135	4	4	90°	45°
DARQ-B-F16-F16-...	200	6	165	130	21	165	130	21	100	160	160	4	4	90°	45°
DARQ-B-F25-F14-...	400	10	140	100	17	254	200	17	200	270	135	8	4	45°	22,5°
DARQ-B-F25-F16-...	400	10	165	130	21	254	200	17	200	270	160	8	4	45°	22,5°
DARQ-B-F25-F25-...	400	10	254	200	17	254	200	17	200	270	270	8	4	45°	22,5°
DARQ-B-F30-F16-...	400	10	165	130	21	298	230	21	200	320	160	8	4	45°	22,5°
DARQ-B-F30-F25-...	400	10	254	200	17	298	230	21	200	320	270	8	4	45°	22,5°
DARQ-B-F30-F30-...	400	10	298	200	21	298	230	21	200	320	320	8	4	45°	22,5°

Ordering data

Process valve with pipe thread				
	Connection Process valve	Product weight	Part no.	Type
	Rp1/4	600 g	1686625	VZBA-1/4"-GG-63-T-22-F0304-V4V4T
	Rp3/8		1686632	VZBA-3/8"-GG-63-T-22-F0304-V4V4T
	Rp1/2	650 g	1686636	VZBA-1/2"-GG-63-T-22-F0304-V4V4T
	Rp3/4	850 g	1686639	VZBA-3/4"-GG-63-T-22-F0304-V4V4T
	Rp1	1,250 g	1686640	VZBA-1"-GG-63-T-22-F0405-V4V4T
	Rp1 1/4	1,900 g	1686641	VZBA-1 1/4"-GG-63-T-22-F0405-V4V4T
	Rp1 1/2	2,900 g	1686643	VZBA-1 1/2"-GG-63-T-22-F0507-V4V4T
	Rp2	4,500 g	1686646	VZBA-2"-GG-63-T-22-F0507-V4V4T
	Rp2 1/2	9,300 g	1686648	VZBA-2 1/2"-GG-63-T-22-F0710-V4V4T
	Rp3	14,400 g	1686651	VZBA-3"-GG-63-T-22-F0710-V4V4T
Rp4	22,000 g	1686654	VZBA-4"-GG-63-T-22-F10-V4V4T	

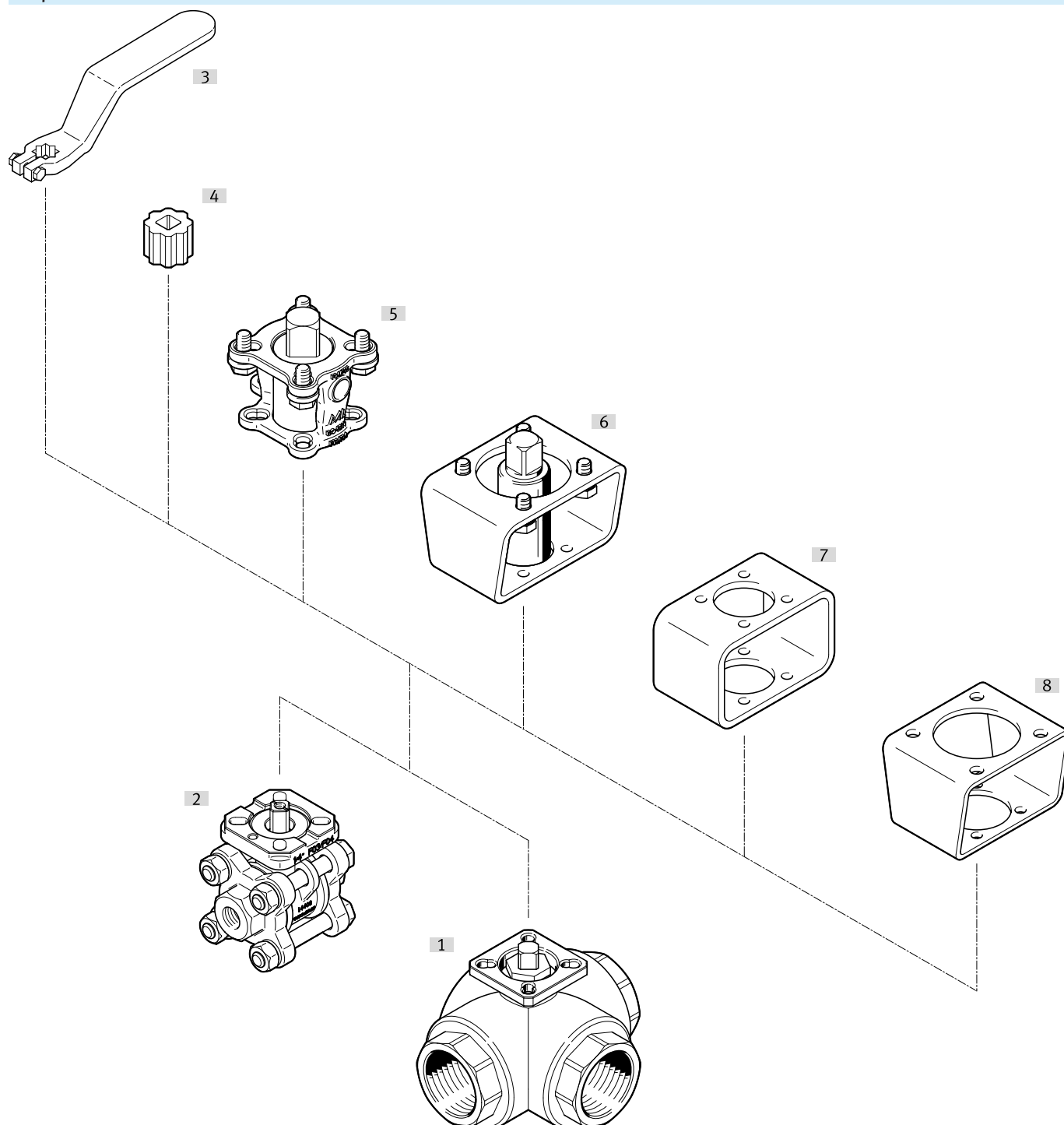
Process valve with welding ends					
	Connection Process valve	Product weight	Part no.	Type	
	Weld-on ends/weld-on ends	600 g	1686656	VZBA-1/4"-WW-63-T-22-F0304-V4V4T	
			1686662	VZBA-3/8"-WW-63-T-22-F0304-V4V4T	
			1686663	VZBA-1/2"-WW-63-T-22-F0304-V4V4T	
			900 g	1686665	VZBA-3/4"-WW-63-T-22-F0304-V4V4T
			1,250 g	1686689	VZBA-1"-WW-63-T-22-F0405-V4V4T
			1,900 g	1686696	VZBA-1 1/4"-WW-63-T-22-F0405-V4V4T
			2,800 g	1686697	VZBA-1 1/2"-WW-63-T-22-F0507-V4V4T
			4,500 g	1686699	VZBA-2"-WW-63-T-22-F0507-V4V4T
			9,100 g	1686702	VZBA-2 1/2"-WW-63-T-22-F0710-V4V4T
			14,100 g	1686704	VZBA-3"-WW-63-T-22-F0710-V4V4T
		23,300 g	1686705	VZBA-4"-WW-63-T-22-F10-V4V4T	

Process valve with pipe thread, L-shaped drilled hole				
	Connection Process valve	Product weight	Part no.	Type
	Rp1/4	700 g	1692210	VZBA-1/4"-GGG-63-32L-F0304-V4V4T
	Rp3/8		1692211	VZBA-3/8"-GGG-63-32L-F0304-V4V4T
	Rp1/2		1692212	VZBA-1/2"-GGG-63-32L-F0304-V4V4T
	Rp3/4	1,000 g	1692214	VZBA-3/4"-GGG-63-32L-F0405-V4V4T
	Rp1	1,600 g	1692215	VZBA-1"-GGG-63-32L-F0405-V4V4T
	Rp1 1/4	2,800 g	1692217	VZBA-1 1/4"-GGG-63-32L-F0405-V4V4T
	Rp1 1/2	3,800 g	1692218	VZBA-1 1/2"-GGG-63-32L-F0405-V4V4T
	Rp2	7,400 g	1692219	VZBA-2"-GGG-63-32L-F0507-V4V4T

Process valve with pipe thread, T-shaped drilled hole				
	Connection Process valve	Product weight	Part no.	Type
	Rp1/4	700 g	1692220	VZBA-1/4"-GGG-63-32T-F0304-V4V4T
	Rp3/8		1692221	VZBA-3/8"-GGG-63-32T-F0304-V4V4T
	Rp1/2		1692224	VZBA-1/2"-GGG-63-32T-F0304-V4V4T
	Rp3/4	1,000 g	1692226	VZBA-3/4"-GGG-63-32T-F0405-V4V4T
	Rp1	1,600 g	1692227	VZBA-1"-GGG-63-32T-F0405-V4V4T
	Rp1 1/4	2,800 g	1692228	VZBA-1 1/4"-GGG-63-32T-F0405-V4V4T
	Rp1 1/2	3,800 g	1692229	VZBA-1 1/2"-GGG-63-32T-F0405-V4V4T
	Rp2	7,400 g	1692230	VZBA-2"-GGG-63-32T-F0507-V4V4T

Peripherals

Peripherals overview

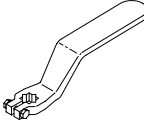


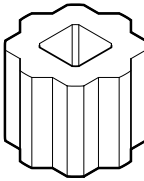
Accessories			→ Link
Type/order code	Description		
[1] Ball valve VZBA	Ball valve, 3-way, brass, L-bore or T-bore design		vzba
[2] Ball valve VZBA	Ball valve, 2-way, brass		vzba
[3] Hand lever VAOH	High-alloy stainless steel		21
[4] Reducing sleeve DARQ	<ul style="list-style-type: none"> • Connection 1, drive outlet function • Connection 2, reducing outlet function 		21
[5] Mounting kit DARQ	<ul style="list-style-type: none"> • Connection 1, drive outlet function • Connection 2, reducing outlet function 		22
[6] Mounting kit DARQ-K...R13	<ul style="list-style-type: none"> • DARQ-K-V... (female square and male square) • DARQ-K-V... (two-flats and male square) 		23
[7] Mounting flange adapter DARQ	Drive outlet function		23

Peripherals

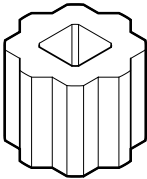
Accessories		→ Link
Type/order code	Description	
[8] Mounting flange adapter DARQ	Reducing outletfunction	23

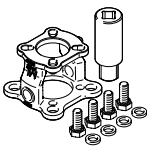
Accessories

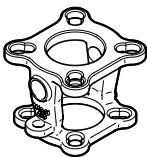
Hand lever VAOH				
	Description	Product weight	Part no.	Type
	For connection Rp1/4...Rp3/4	100 g	542702	VAOH-9-H9
	For connection Rp1...Rp1 1/4	200 g	542703	VAOH-11-H9
	For connection Rp1 1/2...2	300 g	542704	VAOH-14-H9
	For connection Rp2 1/2...Rp3	500 g	542705	VAOH-17-H9
	For connection Rp4	800 g	542706	VAOH-22-H9

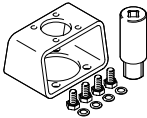
Reducing sleeve DARQ				
	Length	Product weight	Part no.	Type
	11 mm	5 g	8082117	DARQ-R-A-S11-S9-11
		25 g	8082131	DARQ-R-A-S11-S9-11-P5
		50 g	8082140	DARQ-R-A-S11-S9-11-P10
		250 g	8082145	DARQ-R-A-S11-S9-11-P50
	12 mm	7 g	8082116	DARQ-R-A-S11-S8-12
		35 g	8082130	DARQ-R-A-S11-S8-12-P5
	16 mm	10 g	8082121	DARQ-R-A-S14-S12-16
		13 g	8082120	DARQ-R-A-S14-S11-16
		16 g	8082119	DARQ-R-A-S14-S10-16
		18 g	8082118	DARQ-R-A-S14-S9-16
		20 g	8086383	DARQ-R-A-S14-S8-16
		65 g	8082133	DARQ-R-A-S14-S11-16-P5
		90 g	8082132	DARQ-R-A-S14-S9-16-P5
		100 g	8086388	DARQ-R-A-S14-S8-16-P5
		130 g	8082142	DARQ-R-A-S14-S11-16-P10
		180 g	8082141	DARQ-R-A-S14-S9-16-P10
		650 g	8082147	DARQ-R-A-S14-S11-16-P50
	17 mm	900 g	8082146	DARQ-R-A-S14-S9-16-P50
		19 g	8082123	DARQ-R-A-S17-S14-17
		25 g	8086385	DARQ-R-A-S17-S12-17
		29 g	8082122	DARQ-R-A-S17-S11-17
		34 g	8096914	DARQ-R-A-S17-S9-17
		36 g	8086384	DARQ-R-A-S17-S8-17
		95 g	8082135	DARQ-R-A-S17-S14-17-P5
		125 g	8086389	DARQ-R-A-S17-S12-17-P5
		145 g	8082134	DARQ-R-A-S17-S11-17-P5
	22 mm	190 g	8082143	DARQ-R-A-S17-S14-17-P10
		1,450 g	8082148	DARQ-R-A-S17-S11-17-P50
		46 g	8082126	DARQ-R-A-S22-S17-22
		52 g	8082125	DARQ-R-A-S22-S16-22
		62 g	8082124	DARQ-R-A-S22-S14-22
		75 g	8086386	DARQ-R-A-S22-S11-22
		230 g	8082137	DARQ-R-A-S22-S17-22-P5
	27 mm	310 g	8082136	DARQ-R-A-S22-S14-22-P5
		460 g	8082144	DARQ-R-A-S22-S17-22-P10
		2,300 g	8082149	DARQ-R-A-S22-S17-22-P50
		80 g	8082127	DARQ-R-A-S27-S22-27
		121 g	8086387	DARQ-R-A-S27-S17-27
	36 mm	400 g	8082138	DARQ-R-A-S27-S22-27-P5
		140 g	8096913	DARQ-R-A-S27-S14-27
		215 g	8082128	DARQ-R-A-S36-S27-36
		286 g	8096915	DARQ-R-A-S36-S22-36
	46 mm	1,075 g	8082139	DARQ-R-A-S36-S27-36-P5
		410 g	8082129	DARQ-R-A-S46-S36-46
		618 g	8215769	DARQ-R-A-S46-S27-46

Accessories

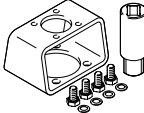
Reducing sleeve DARQ				
	Length	Product weight	Part no.	Type
	46 mm	709 g	8215771	DARQ-R-A-S46-S22-46

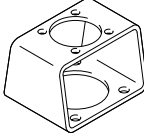
Mounting kit DARQ				
	Product weight	Part no.	Type	
	232 g	8088299	DARQ-K-V-F04S11-F03S9-R1	
	255 g	8088301	DARQ-K-V-F05S14-F03S9-R1	
	342 g	8088297	DARQ-K-V-F05S14-F04S11-R1	
	563 g	8088302	DARQ-K-V-F07S17-F04S11-R1	
	771 g	8088303	DARQ-K-V-F07S17-F05S14-R1	
	1,515 g	8088300	DARQ-K-V-F10S22-F05S14-R1	
	1,977 g	8215767	DARQ-K-V-F10S27-F07S17-R1	
	2,010 g	8088298	DARQ-K-V-F10S22-F07S17-R1	

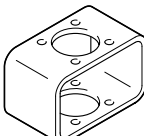
Mounting flange adapter DARQ				
	Product weight	Part no.	Type	
	120 g	8087462	DARQ-B-F0405-F0304-R1	
	300 g	8087463	DARQ-B-F0507-F0405-R1	
	950 g	8087464	DARQ-B-F1012-F10-R1	
	1,610 g	8087465	DARQ-B-F0710-F0507-R1	

Mounting kit DARQ-K-V				
	Product weight	Part no.	Type	
	392 g	8084186	DARQ-K-V-F03S9-F03S9-R13	
	410 g	8084187	DARQ-K-V-F04S11-F03S9-R13	
	480 g	8084188	DARQ-K-V-F04S11-F04S11-R13	
	630 g	8084189	DARQ-K-V-F05S14-F03S9-R13	
	725 g	8084190	DARQ-K-V-F05S14-F04S11-R13	
	823 g	8084192	DARQ-K-V-F07S17-F04S11-R13	
	830 g	8084191	DARQ-K-V-F05S14-F05S14-R13	
	866 g	8132814	DARQ-K-V-F07S17-F03S9-R13	
	926 g	8084193	DARQ-K-V-F07S17-F05S14-R13	
	980 g	8084194	DARQ-K-V-F07S17-F07S14-R13	
	986 g	8084195	DARQ-K-V-F07S22-F05S11-R13	
	1,410 g	8133487	DARQ-K-V-F10S22-F04S11-R13	
	1,432 g	8084196	DARQ-K-V-F10S22-F05S14-R13	
	1,935 g	8084199	DARQ-K-V-F10S27-F05S14-R13	
	2,045 g	8084197	DARQ-K-V-F10S22-F07S17-R13	
	2,113 g	8084198	DARQ-K-V-F10S22-F10S22-R13	
	2,116 g	8084200	DARQ-K-V-F10S27-F07S17-R13	
	2,134 g	8086439	DARQ-K-V-F10S27-F07S14-R13	
	2,615 g	8084201	DARQ-K-V-F12S27-F07S17-R13	
	2,655 g	8131545	DARQ-K-V-F12S27-F07S14-R13	
2,728 g	8133486	DARQ-K-V-F12S27-F05S14-R13		
2,753 g	8084202	DARQ-K-V-F12S27-F10S22-R13		
3,552 g	8084203	DARQ-K-V-F12S27-F12S27-R13		

Accessories

Mounting kit DARQ-K-Z			
	Product weight	Part no.	Type
	385 g	8085017	DARQ-K-Z-F03S9-F03S9-R13
	400 g	8085016	DARQ-K-Z-F04S11-F03S9-R13
	465 g	8085018	DARQ-K-Z-F04S11-F04S11-R13
	620 g	8085019	DARQ-K-Z-F05S14-F03S9-R13
	710 g	8085020	DARQ-K-Z-F05S14-F04S11-R13
	795 g	8085021	DARQ-K-Z-F05S14-F05S14-R13
	810 g	8085022	DARQ-K-Z-F07S17-F04S11-R13
	890 g	8085023	DARQ-K-Z-F07S17-F05S14-R13
	945 g	8085024	DARQ-K-Z-F07S17-F07S14-R13
	1,396 g	8085026	DARQ-K-Z-F10S22-F05S14-R13
	1,970 g	8085027	DARQ-K-Z-F10S22-F07S17-R13
	1,980 g	8085025	DARQ-K-Z-F10S22-F10S22-R13

Mounting flange adapter DARQ, function drive outlet			
	Product weight	Part no.	Type
	270 g	8082978	DARQ-B-F04-F03-R13
	442 g	8082980	DARQ-B-F05-F03-R13
	461 g	8082981	DARQ-B-F05-F04-R13
	514 g	8082983	DARQ-B-F07-F04-R13
	530 g	8082984	DARQ-B-F07-F05-R13
	836 g	8082986	DARQ-B-F10-F05-R13
	920 g	8082987	DARQ-B-F10-F07-R13
	1,504 g	8082989	DARQ-B-F12-F07-R13
	1,688 g	8082990	DARQ-B-F12-F10-R13
	1,775 g	8082992	DARQ-B-F14-F10-R13
	1,889 g	8082993	DARQ-B-F14-F12-R13
	2,305 g	8083005	DARQ-B-F05-F04-R13-P5
	2,648 g	8082995	DARQ-B-F16-F12-R13
	2,650 g	8083007	DARQ-B-F07-F05-R13-P5
	2,792 g	8082996	DARQ-B-F16-F14-R13
	4,600 g	8083009	DARQ-B-F10-F07-R13-P5
	14,734 g	8082998	DARQ-B-F25-F14-R13
	15,384 g	8082999	DARQ-B-F25-F16-R13
	16,740 g	8083001	DARQ-B-F30-F16-R13
20,250 g	8083002	DARQ-B-F30-F25-R13	

Mounting flange adapter DARQ, function reducing outlet			
	Product weight	Part no.	Type
	260 g	8082977	DARQ-B-F03-F03-R13
	275 g	8082979	DARQ-B-F04-F04-R13
	478 g	8082982	DARQ-B-F05-F05-R13
	583 g	8082985	DARQ-B-F07-F07-R13
	1,037 g	8082988	DARQ-B-F10-F10-R13
	1,375 g	8083004	DARQ-B-F04-F04-R13-P5
	1,802 g	8082991	DARQ-B-F12-F12-R13
	1,976 g	8082994	DARQ-B-F14-F14-R13
	2,390 g	8083006	DARQ-B-F05-F05-R13-P5
	2,844 g	8082997	DARQ-B-F16-F16-R13
	2,915 g	8083008	DARQ-B-F07-F07-R13-P5
	5,185 g	8083010	DARQ-B-F10-F10-R13-P5
	18,895 g	8083000	DARQ-B-F25-F25-R13
	21,644 g	8083003	DARQ-B-F30-F30-R13