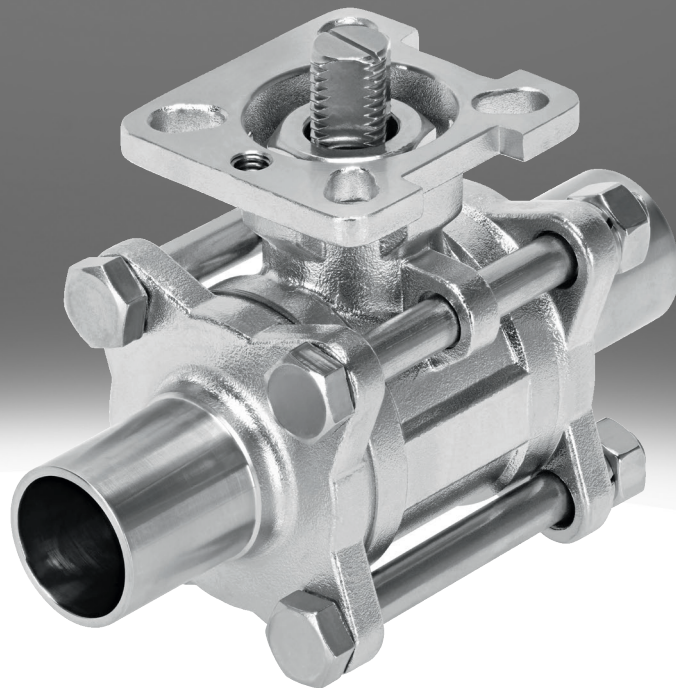


## Ball valve VZBD

**FESTO**



## Characteristics

### At a glance

The 2-way stainless steel ball valve is the perfect solution for the pharmaceutical and cosmetics industry: it has a FDA-compliant seal, electropolished surfaces, long weld-on ends or tri clamps.

- Electropolished surfaces SFV4
- PTFE seal with minimal dead space
- The powerful ball valve for the pharmaceutical and cosmetic industries

## Type code

001	Series
VZBD	Ball valve

002	Nominal diameter DN
1/2	1/2"
3/4	3/4"
1	1"
1 1/4	1 1/4"
1 1/2	1 1/2"
2	2"
2 1/2	2 1/2"
3	3"
4	4"

003	Process valve connection
S1	Clamp to ASME-BPE
S5	Clamp ferrule to DIN 32676
W1	Extended welded ends to ASME-BPE
W3	Extended welded ends to EN ISO 1127

004	Nominal pressure [bar]
16	16

005	Design type
T	Three-part

006	Valve function
2	2/2-way

007	Flanged connection
F0304	Hole pattern 03 and 04
F0405	Hole pattern 04 and 05
F0507	Hole pattern 05 and 07
F0710	Hole pattern 07 and 10
F1012	Hole pattern 10 and 12

008	Actuation type
	Via drive

009	Housing material
V14	Stainless steel ASTM A351-CF3M

010	Shut-off element material
V14	Stainless steel ASTM A351-CF3M

## Datasheet

## General technical data Welding end according to ISO 1127 and clamping spigot according to DIN 32676-B

Nominal size DN	15	20	25	32	40	50	65
Valve function	2/2						
Design	2-way ball valve						
Sealing principle	Soft						
Type of actuation	Mechanical						
Switching position indicator	Slot direction = flow direction						
Flow direction	Reversible						
Type of mounting	Inline installation						
Mounting position	Any						
Based on standard	DIN 32676, ISO 1127, ISO 5211						
Breakaway torque at differential pressure, nominal pressure, process valve PN	7 Nm	9 Nm	15 Nm	23 Nm	30 Nm	44 Nm	79 Nm
Inside diameter	18.1 mm	23.7 mm	29.7 mm	38.4 mm	44.3 mm	56.3 mm	72.1 mm
Flow rate Kv	46 m <sup>3</sup> /h	82 m <sup>3</sup> /h	135 m <sup>3</sup> /h	230 m <sup>3</sup> /h	313 m <sup>3</sup> /h	532 m <sup>3</sup> /h	897 m <sup>3</sup> /h

## General technical data Welding end according to ASME-BPE and tri clamp according to ASME-BPE

Nominal size DN	15	20	25	40	50	65	80	100
Valve function	2/2							
Design	2-way ball valve							
Sealing principle	Soft							
Type of actuation	Mechanical							
Switching position indicator	Slot direction = flow direction							
Flow direction	Reversible							
Type of mounting	Inline installation							
Mounting position	Any							
Based on standard	ASME BPE, ISO 5211							
Breakaway torque at differential pressure, nominal pressure, process valve PN	7 Nm	9 Nm	15 Nm	30 Nm	44 Nm	79 Nm	140 Nm	170 Nm
Inside diameter	9.6 mm	15.8 mm	22.1 mm	34.8 mm	47.7 mm	60.3 mm	72.9 mm	97.5 mm
Flow rate Kv	13 m <sup>3</sup> /h	36 m <sup>3</sup> /h	74 m <sup>3</sup> /h	189 m <sup>3</sup> /h	364 m <sup>3</sup> /h	608 m <sup>3</sup> /h	917 m <sup>3</sup> /h	1,641 m <sup>3</sup> /h

## Operating and environmental conditions

Nominal size DN	15	20	25	32	40	50	65	80	100
Nominal pressure PN	16								
Media temperature	-20 ... 200°C								
Corrosion resistance class CRC <sup>1)</sup>	4 - Very high corrosion stress								
CE mark (see declaration of conformity) <sup>2)</sup>	-			In accordance with EU Pressure Equipment Directive					
Suitable for use with food	See supplementary material information								
Approval	3-A Sanitary, CRN								

1) Surfaces in contact with media to ASME-BPE SF4, electropolished

Corrosion resistance class CRC 4 to Festo standard FN 940070 Particularly high corrosion stress. Outdoor exposure under extreme corrosive conditions. Parts exposed to aggressive media, e.g. in the food or chemical industries. If necessary, these applications may need to be supported by special tests (see also FN 940082) using appropriate media.

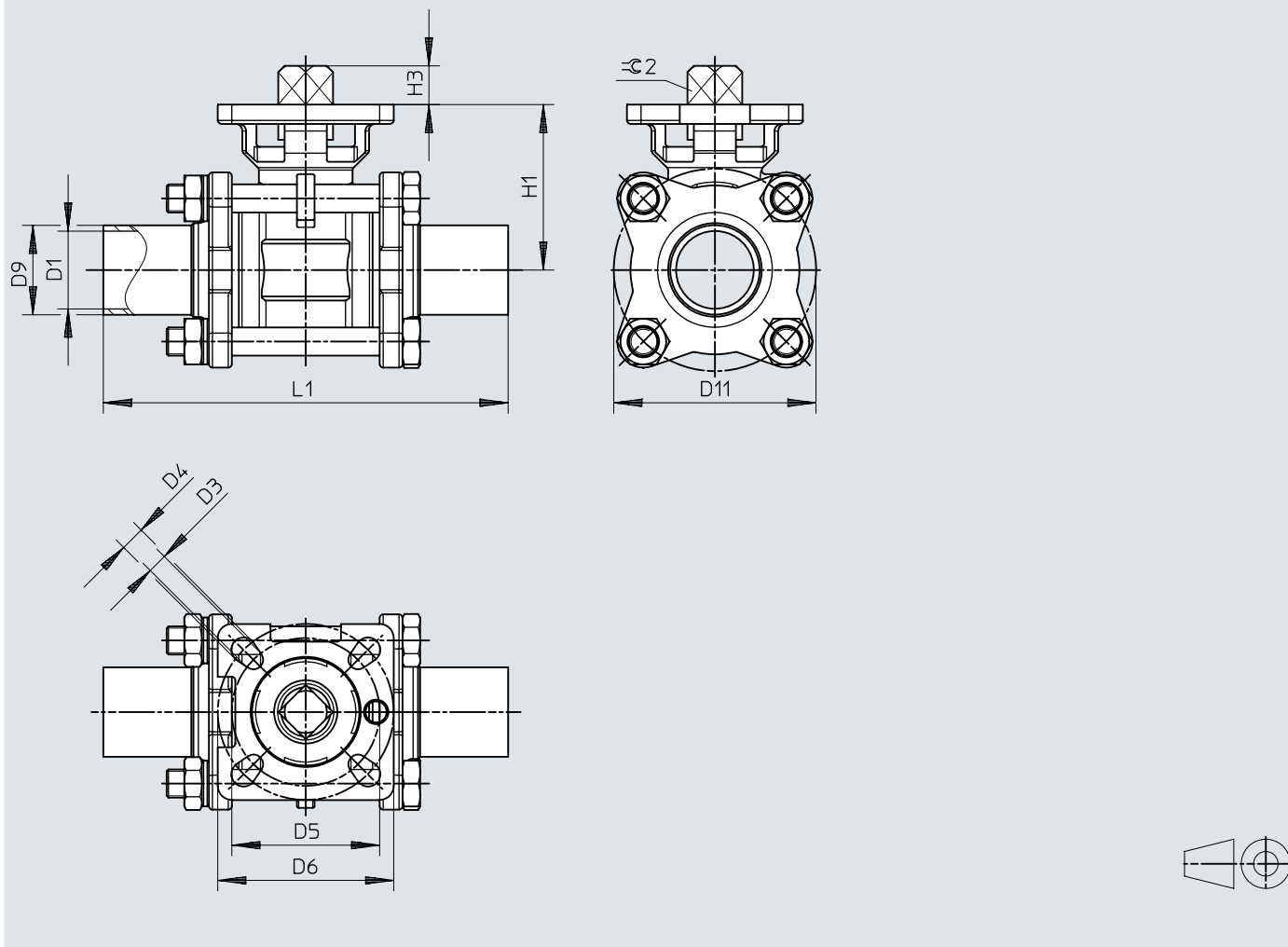
2) More information [www.festo.com/sp](http://www.festo.com/sp) see Certificates.

## Materials

Material housing	Cast stainless steel
Material ball	Cast stainless steel
Material shaft	High-alloy stainless steel
Material seat seal	PTFE, modified
Material seals	Fluoro rubber, PTFE
Note on materials	RoHS compliant

## Dimensions

Dimensions – With extended welded ends to ISO 1127 (W3) or ASME-BPE (W1)

Download CAD data [www.festo.com](http://www.festo.com)

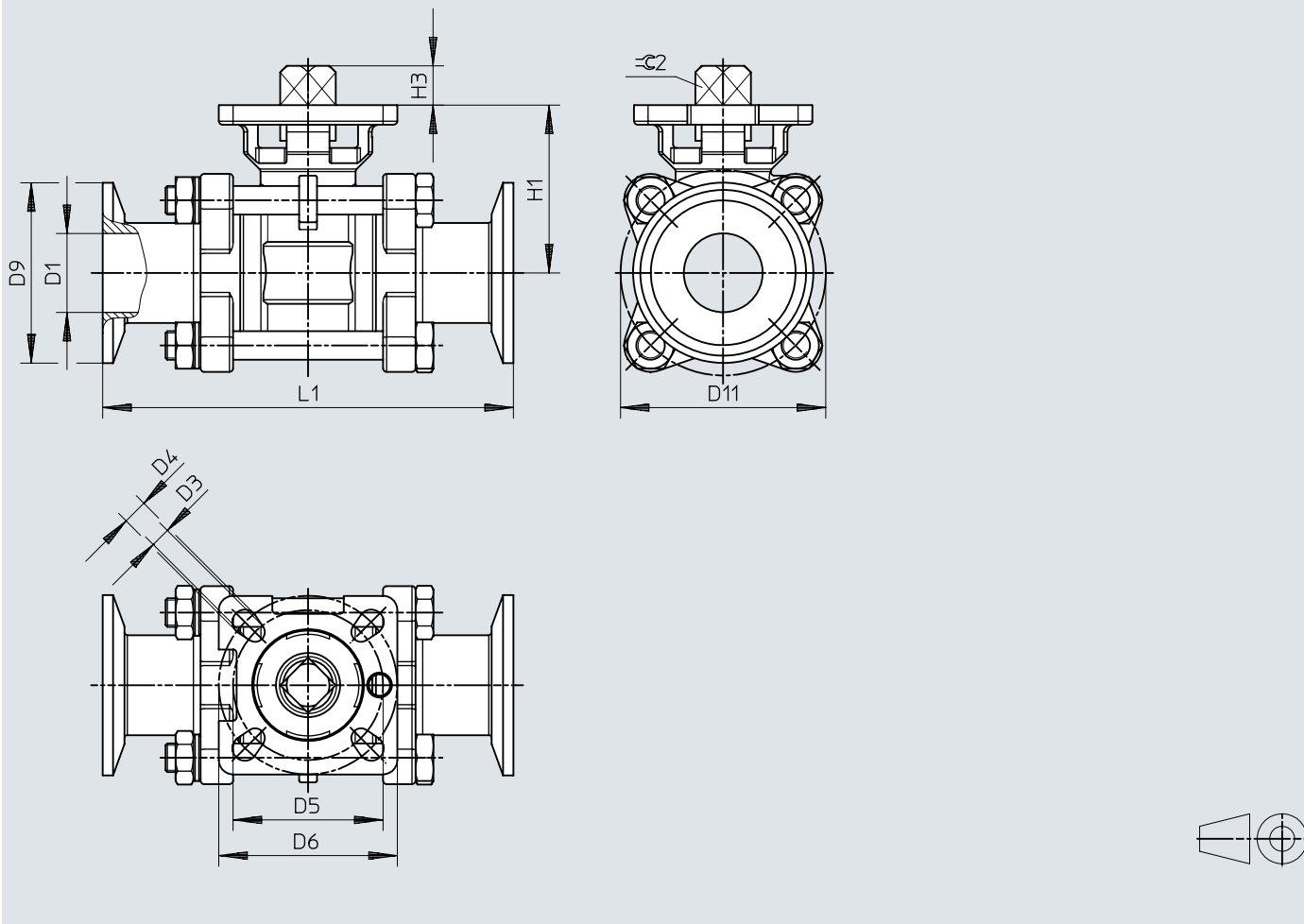
	D1 ø	D3 ø	D4 ø	D5 ø	D6 ø	D9 ø	D11 ø	H1	H3	L1 ±2	±2
VZBD-1/2-W3-...	18,1	5,5	5,5	36	42	21,3	52	38,5	9	130	9
VZBD-3/4-W3-...	23,7	5,5	5,5	36	42	26,9	61,9	42,7	9	150	9
VZBD-1-W3-...	29,7	5,5	7	42	50	33,7	70	53,5	11	160	11
VZBD-1 1/4-W3-...	38,4	5,5	7	42	50	42,4	85	60,1	11	180	11
VZBD-1 1/2-W3-...	44,3	7	9	50	70	48,3	98,8	70,6	14	200	14
VZBD-2-W3-...	56,3	7	9	50	70	60,3	120	79,8	14	230	14
VZBD-2 1/2-W3-...	72,1	9	11	70	102	76,1	147	99,4	17	290	17

	D1 ø	D3 ø	D4 ø	D5 ø	D6 ø	D9 ø	D11 ø	H1	H3	L1 ±2	±2
VZBD-1/2-W1-...	9,6	5,5	5,5	36	42	12,7	45,5	34	9	90,7	9
VZBD-3/4-W1-...	15,8	5,5	5,5	36	42	19,1	47	35,3	9	103	9
VZBD-1-W1-...	22,1	5,5	7	42	50	25,4	57,5	47	11	115	11
VZBD-1 1/4-W1-...	34,8	7	9	50	70	38,1	83	63,5	14	139	14
VZBD-2-W1-...	47,7	7	9	50	70	50,8	100	72	14	158	14
VZBD-2 1/2-W1-...	60,3	9	11	70	102	63,5	126	90	17	197	17
VZBD-3-W1-...	72,9	9	11	70	102	76,2	148	99	17	228	17
VZBD-4-W1-...	97,5	11	13	102	125	101,6	183	127,5	22	241,8	22

## Dimensions

Dimensions – With clamp ferrule to DIN 32676-B (S5) or ASME BPE (S1)

Download CAD data [www.festo.com](http://www.festo.com)

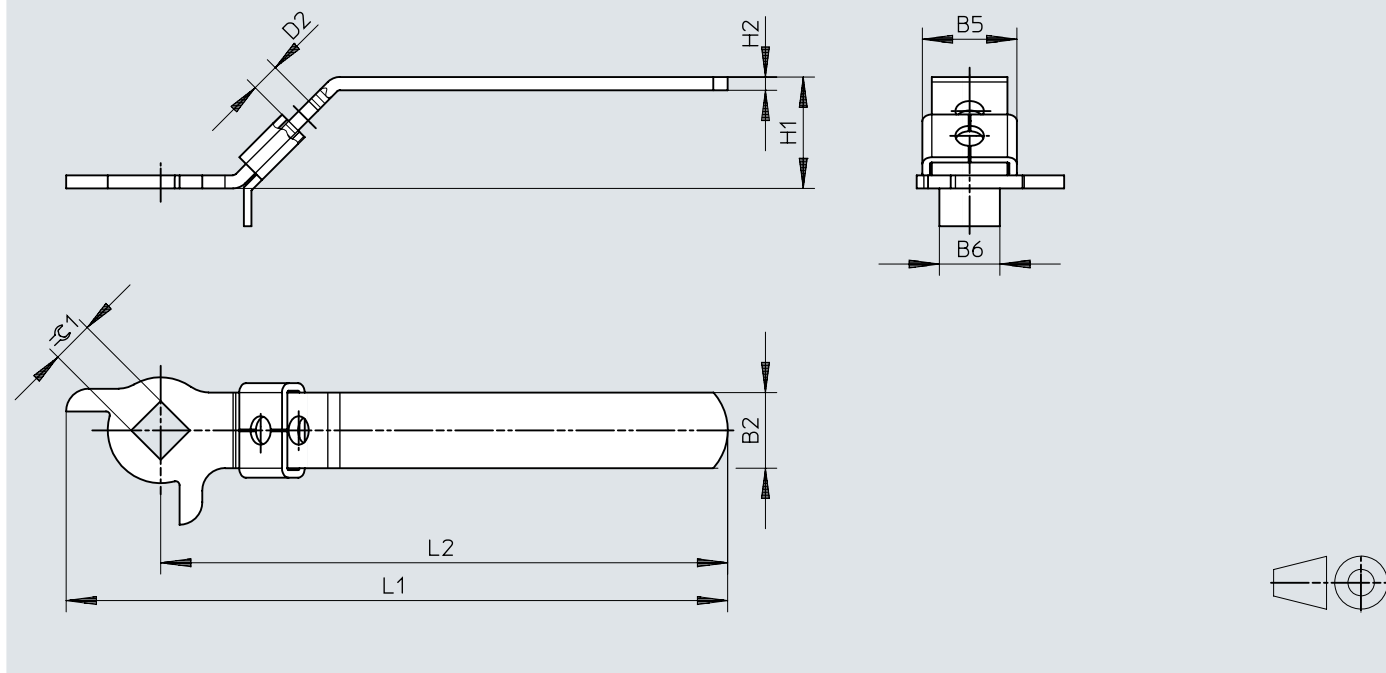


	D1 ø	D3 ø	D4 ø	D5 ø	D6 ø	D9 ø	D11 ø	H1	H3	L1 ±2	☉
VZBD-1/2-S5-...	18,1	5,5	5,5	36	42	50,5	52	38,5	9	130	9
VZBD-3/4-S5-...	23,7	5,5	5,5	36	42	50,5	61,9	42,7	9	150	9
VZBD-1-S5-...	29,7	5,5	7	42	50	50,5	70	53,5	11	160	11
VZBD-1 1/4-S5-...	38,4	5,5	7	42	50	64	85	60,1	11	180	11
VZBD-1 1/2-S5-...	44,3	7	9	50	70	64	98,8	70,6	14	200	14
VZBD-2-S5-...	56,3	7	9	50	70	77,5	120	79,8	14	230	14
VZBD-2 1/2-S5-...	72,1	9	11	70	102	91	147	99,4	17	290	17

	D1 ø	D3 ø	D4 ø	D5 ø	D6 ø	D9 ø	D11 ø	H1	H3	L1 ±2	☉
VZBD-1/2-S1-...	9,6	5,5	5,5	36	42	25,4	45,5	34	9	90,7	9
VZBD-3/4-S1-...	15,8	5,5	5,5	36	42	25,4	47	35,3	9	103	9
VZBD-1-S1-...	22,1	5,5	7	42	50	50,5	57,5	47	11	115	11
VZBD-1 1/2-S1-...	34,8	7	9	50	70	50,5	83	63,5	14	139	14
VZBD-2-S1-...	47,7	7	9	50	70	64	100	72	14	158	14
VZBD-2 1/2-S1-...	60,3	9	11	70	102	77,5	126	90	17	197	17
VZBD-3-S1-...	72,9	9	11	70	102	91	148	99	17	228	17
VZBD-4-S1-...	97,5	11	13	102	125	119	183	127,5	22	241,8	22

## Dimensions

Dimensions – Hand lever VAOH, DN15 ... DN50

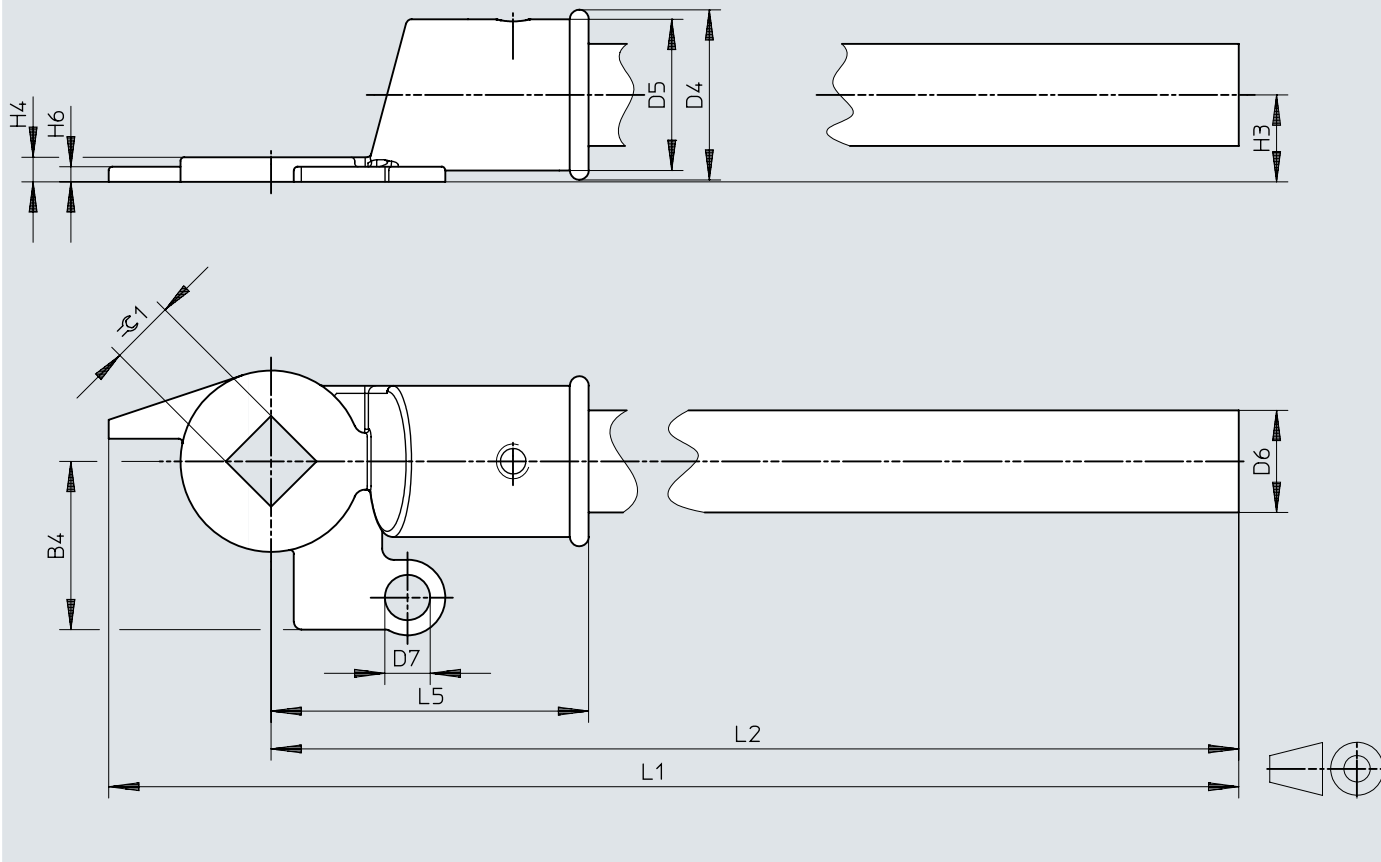
Download CAD data [www.festo.com](http://www.festo.com)

		B2	B5	B6	D2 ∅	H1	H2	L1	L2	⊕1
VAOH-F8-9-H9-A	DN15 ... DN20	19	23,8	13	7,5	29	3	144,2	123	9
VAOH-F8-11-H9-A	DN25 ... DN32	20	24,8	16	7,5	30	3,5	176,5	151,5	11
VAOH-F8-14-H9-A	DN40 ... DN50	25	31	22	7,5	31	4	214	182	14

## Dimensions

Dimensions – Hand lever VAOH, DN65 ... DN100

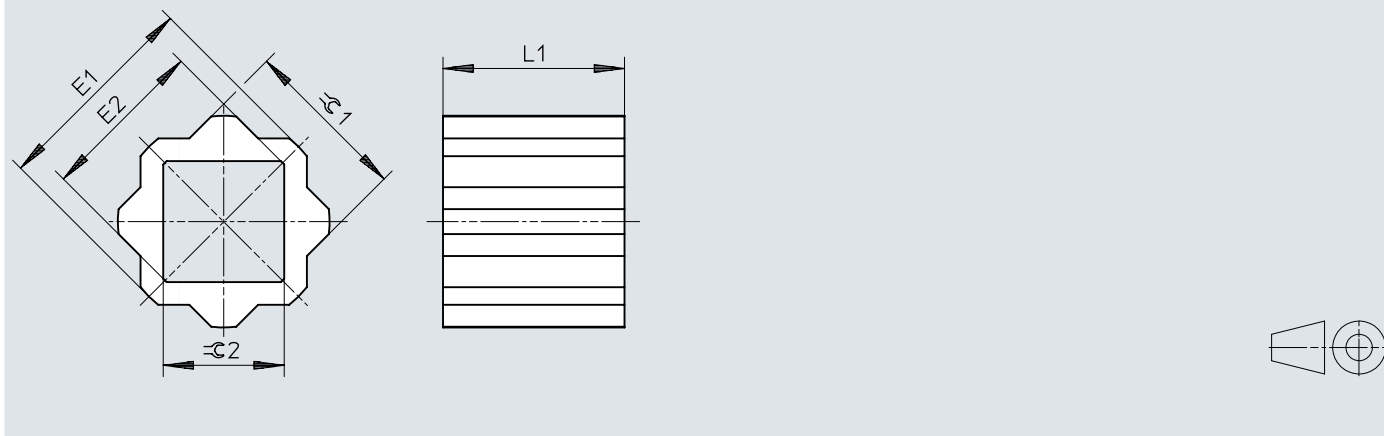
Download CAD data [www.festo.com](http://www.festo.com)



		B4	D4 ø	D5 ø	D6 ø	D7 ø	H3	H4	H6	L1	L2	L5	≈G1
VAOH-F8-17-H9-A	DN65 ... DN80	44,5	45	40	27	12	23	6,5	4	387	344	84	17
VAOH-F8-22-H9-A	DN100	53,5	45	40	27	14	25	8	5	442,5	389	89,5	22

## Dimensions

## Dimensions – Reducing sleeve DARQ

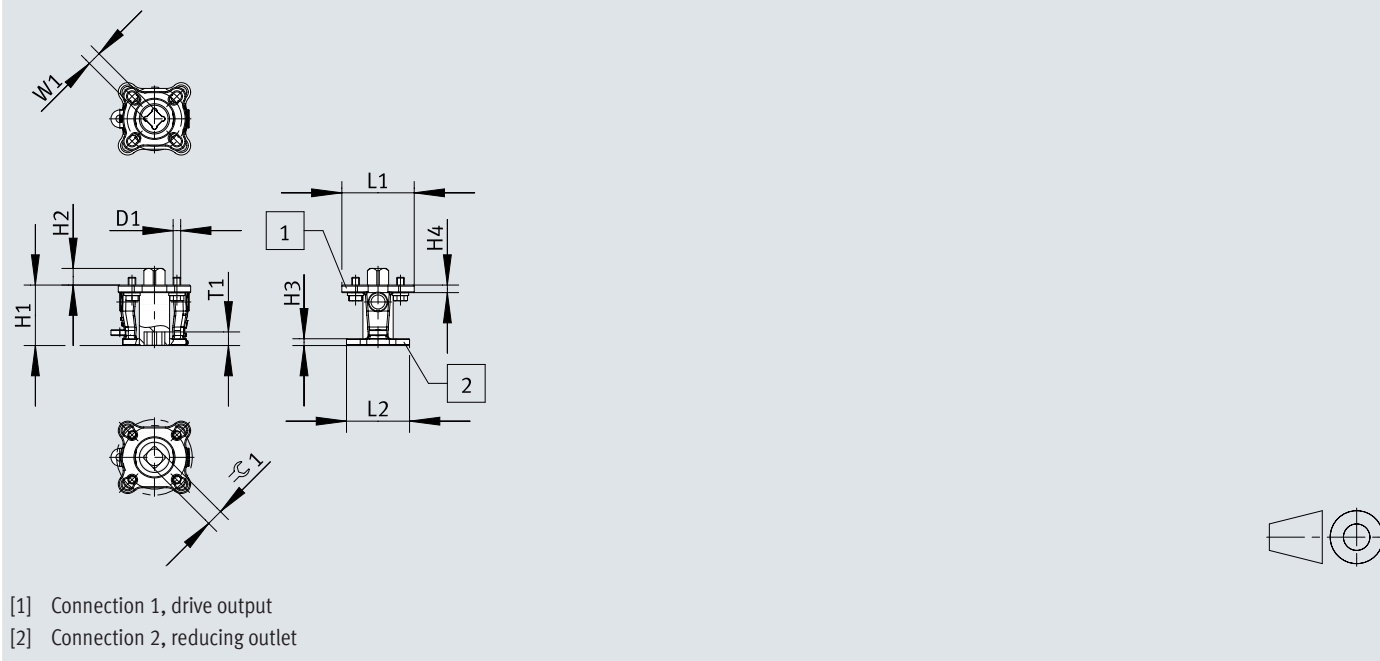
Download CAD data [www.festo.com](http://www.festo.com)

	E1 +0,1/-0,3	E2 +0,3/-0,1	L1 $\pm 0,2$	$\varnothing 1$ -0,02/-0,12	$\varnothing 2$ +0,04/+0,18
DARQ-R-A-S11-S8-...	14	11	12	11	8
DARQ-R-A-S11-S9-...	14	12,3	11	11	9
DARQ-R-A-S14-S8-...	18	11	16	14	8
DARQ-R-A-S14-S9-...	18	12,3	16	14	9
DARQ-R-A-S14-S10-...	18	13,3	16	14	10
DARQ-R-A-S14-S11-...	18	14,3	16	14	11
DARQ-R-A-S14-S12-...	18	16,3	16	14	12
DARQ-R-A-S17-S8-...	22	11	17	17	8
DARQ-R-A-S17-S9-...	22	12,3	17	17	9
DARQ-R-A-S17-S11-...	22	14,3	17	17	11
DARQ-R-A-S17-S12-...	22	16,3	17	17	12
DARQ-R-A-S17-S14-...	22	18,3	17	17	14
DARQ-R-A-S22-S11-...	28	14,3	22	22	11
DARQ-R-A-S22-S14-...	28	18,3	22	22	14
DARQ-R-A-S22-S16-...	28	21,3	22	22	16
DARQ-R-A-S22-S17-...	28	22,3	22	22	17
DARQ-R-A-S27-S14-...	36	18,3	27	27	14
DARQ-R-A-S27-S17-...	36	22,3	27	27	17
DARQ-R-A-S27-S22-...	36	28,5	27	27	22
DARQ-R-A-S36-S22-...	48	28,5	36	36	22
DARQ-R-A-S36-S27-...	48	36,1	36	36	27
DARQ-R-A-S46-S22-...	59	28,5	46	46	22
DARQ-R-A-S46-S27-...	59	36,1	46	46	27
DARQ-R-A-S46-S36-...	59	48	46	46	36

## Dimensions

### Dimensions – Mounting kit DARQ

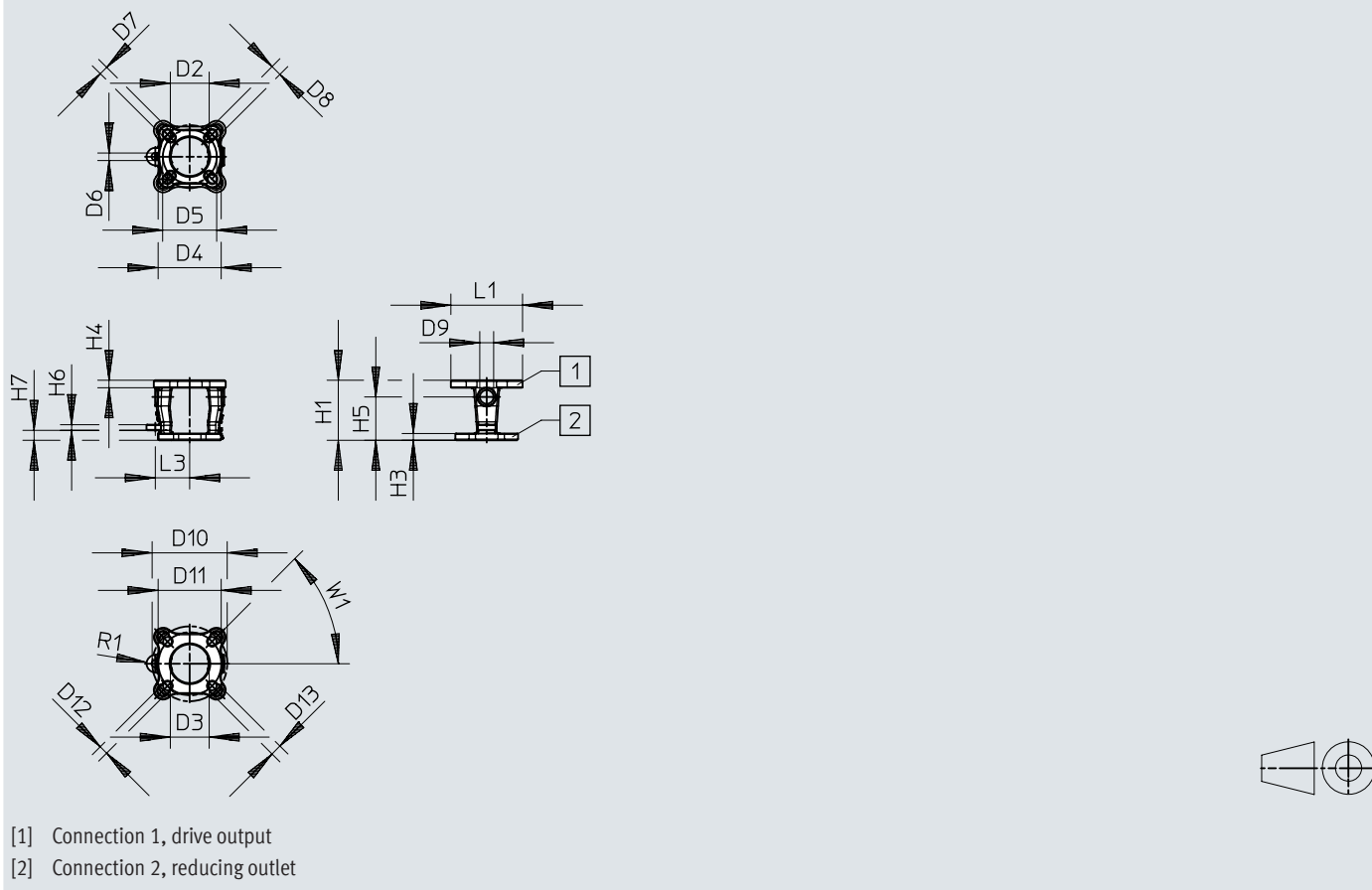
Download CAD data [www.festo.com](http://www.festo.com)



	D1	H1	H2	H3	H4	L1	L2	T1	W1 H11	± 1 h11
DARQ-K-V-F04S11-F03S9-R1	M5	40	11	3,2	5	46	23	9	9	11
DARQ-K-V-F05S14-F03S9-R1	M6	40	15	3,2	5	46	23	9	9	14
DARQ-K-V-F05S14-F04S11-R1	M6	40	15	3,2	5	46	23	11	11	14
DARQ-K-V-F07S17-F04S11-R1	M8	50	18	6	6	66	30,5	11	11	17
DARQ-K-V-F07S17-F05S14-R1	M8	50	18	6	6	66	30,5	15	14	17
DARQ-K-V-F10S22-F05S14-R1	M10	75	23	10	9,5	132,1	63	15	14	22
DARQ-K-V-F10S22-F07S17-R1	M10	75	23	10	9,5	132,1	63	18	17	22
DARQ-K-V-F10S27-F07S17-R1	M10	75	28	10	9,5	132,1	63	18	17	27

## Dimensions

## Dimensions – Mounting flange adapter DARQ-B-...R1

Download CAD data [www.festo.com](http://www.festo.com)

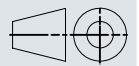
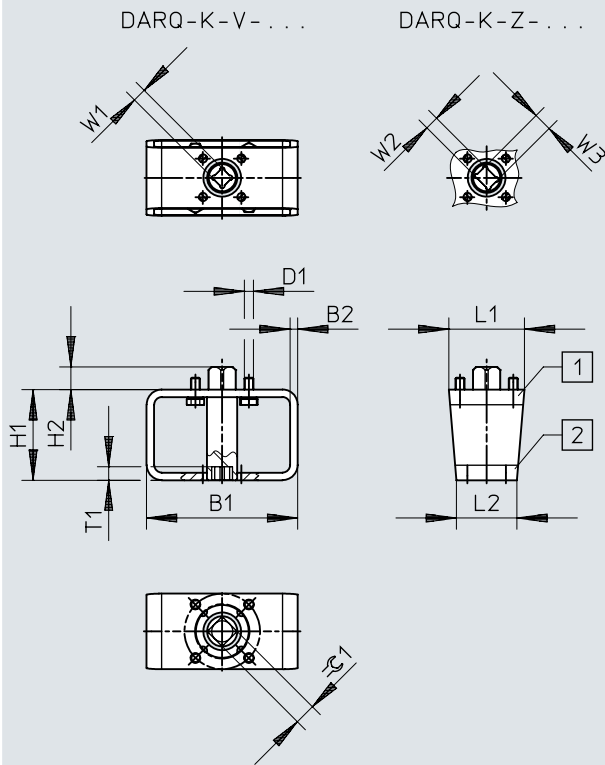
	D2 ø	D3 ø	D4 ø	D5 ø	D6 ø	D7 ø	D8 ø	D9 ø	D10 ø	D11 ø
DARQ-B-F0405-F0304-...	25,9	25,9	42	36	5,1	6,1	6,1	9,4	50	42
DARQ-B-F0507-F0405-...	30,5	36,8	50	42	5,1	7,6	6,6	10,9	70	50
DARQ-B-F0710-F0507-...	38,6	50	70	50	5,1	8,9	7,1	14	102	70
DARQ-B-F1012-F10-...	69,9	76,2	–	102	5,1	–	11,2	17,3	125	102

	D12 ø	D13 ø	H1	H3	H4	H5	H6	H7	L1	L3	W1
DARQ-B-F0405-F0304-...	6,1	7,6	39,9	3,2	5	28,2	3,8	7,1	46	22,9	45°
DARQ-B-F0507-F0405-...	7,6	10,2	50	6	6	36,3	3,8	7,1	66	30,5	45°
DARQ-B-F0710-F0507-...	8,9	10,9	74,9	9,5	9,5	50,5	3,8	7,1	102,1	39,1	45°
DARQ-B-F1012-F10-...	11,2	13	80	10	9,5	58,4	3,8	7,1	132,1	63	45°

## Dimensions

### Dimensions – Mounting kit DARQ

Download CAD data [www.festo.com](http://www.festo.com)



## Dimensions

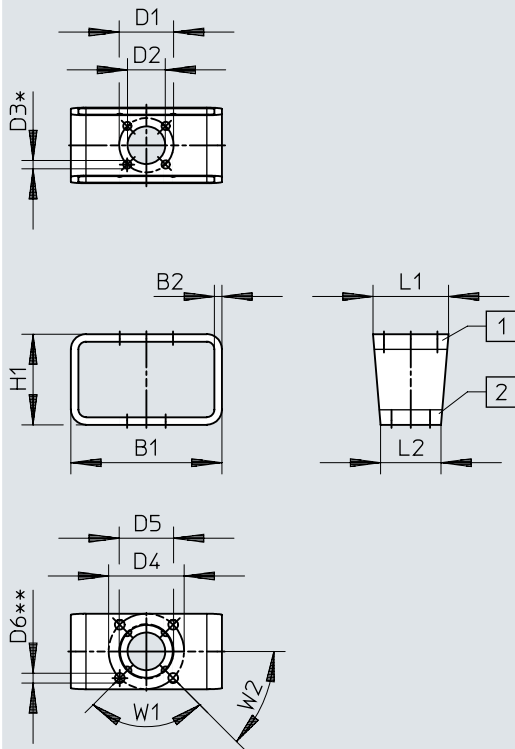
	B1	B2	D1	H1	H2	L1	L2	T1	W1 H11	± 1 h11
DARQ-K-V-F03S9-F03S9-...	80	4	M5	50	9	40	40	9	9	9
DARQ-K-V-F04S11-F03S9-...	80	4	M5	50	11	45	40	9	9	11
DARQ-K-V-F04S11-F04S11-...	80	4	M5	50	11	45	45	11	11	11
DARQ-K-V-F05S14-F03S9-...	100	5	M6	60	15	50	40	9	9	14
DARQ-K-V-F05S14-F04S11-...	100	5	M6	60	15	50	45	11	11	14
DARQ-K-V-F05S14-F05S14-...	100	5	M6	60	15	50	50	15	14	14
DARQ-K-V-F07S17-F03S9	100	5	M8	60	18	70	45	9	9	17
DARQ-K-V-F07S17-F04S11-...	100	5	M8	60	18	70	45	11	11	17
DARQ-K-V-F07S17-F05S14-...	100	5	M8	60	18	70	50	15	14	17
DARQ-K-V-F07S17-F07S14-...	100	5	M8	60	18	70	70	15	14	17
DARQ-K-V-F07S22-F05S11-...	100	5	M8	60	23	70	50	11	11	22
DARQ-K-V-F10S22-F04S11	120	5	M10	80	22	95	50	11	11	22
DARQ-K-V-F10S22-F05S14-...	120	5	M10	80	22,5	95	50	15	14	22
DARQ-K-V-F10S22-F07S17-...	120	5	M10	80	22,5	95	70	18	17	22
DARQ-K-V-F10S22-F10S22-...	120	5	M10	80	22,5	95	95	22,5	22	22
DARQ-K-V-F10S27-F05S14-...	120	5	M10	80	27,5	95	50	15	14	27
DARQ-K-V-F10S27-F07S14-...	120	5	M10	80	27,5	95	70	15	14	27
DARQ-K-V-F10S27-F07S17-...	120	5	M10	80	27,5	95	70	18	17	27
DARQ-K-V-F12S27-F05S14	160	6	M12	80	27	115	70	15	14	27
DARQ-K-V-F12S27-F07S14	160	6	M12	80	27	115	70	15	14	27
DARQ-K-V-F12S27-F07S17-...	160	6	M12	80	27	115	70	18	17	27
DARQ-K-V-F12S27-F10S22-...	160	6	M12	80	27	115	95	22,5	22	27
DARQ-K-V-F12S27-F12S27-...	160	6	M12	80	27	115	115	27,5	27	27

	B1	B2	D1	H1	H2	L1	L2	T1	W2 -0,1	W3 H11	± 1 h11
DARQ-K-Z-F03S9-F03S9-...	80	4	M5	50	9	40	40	14	9	12,1	9
DARQ-K-Z-F04S11-F03S9-...	80	4	M5	50	11	45	40	14	9	12,1	11
DARQ-K-Z-F04S11-F04S11-...	80	4	M5	50	11	45	45	17	11	14,1	11
DARQ-K-Z-F05S14-F03S9-...	100	5	M6	60	15	50	40	14	9	12,1	14
DARQ-K-Z-F05S14-F04S11-...	100	5	M6	60	15	50	45	17	11	14,1	14
DARQ-K-Z-F05S14-F05S14-...	100	5	M6	60	15	50	50	21	14	18,1	14
DARQ-K-Z-F07S17-F04S11-...	100	5	M8	60	18	70	45	17	11	14,1	17
DARQ-K-Z-F07S17-F05S14-...	100	5	M8	60	18	70	50	21	14	18,1	17
DARQ-K-Z-F07S17-F07S14-...	100	5	M8	60	18	70	70	21	14	18,1	17
DARQ-K-Z-F10S22-F05S14-...	120	5	M10	80	22,5	95	50	21	14	18,1	22
DARQ-K-Z-F10S22-F07S17-...	120	5	M10	80	22,5	95	70	26	17	22,2	22
DARQ-K-Z-F10S22-F10S22-...	120	5	M10	80	22,5	95	95	33	22	28,2	22

## Dimensions

### Dimensions – Mounting adapter DARQ

Download CAD data [www.festo.com](http://www.festo.com)




- [1] Drive outlet flange 1
- [2] Reducing outlet flange 2
- [3] \* = N1 (number of holes flange 1)
- [4] \*\* = N2 (number of holes flange 2)


## Dimensions

	B1	B2	D1 ∅	D2 ∅	D3 ∅	D4 ∅	D5 ∅	D6 ∅	H1	L1	L2	*N1	**N2	W1	W2
DARQ-B-F03-F03-...	80	4	36	25	5,5	36	25	5,5	50	40	40	4	4	90°	45°
DARQ-B-F04-F03-...	80	4	36	25	5,5	42	30	5,5	50	45	40	4	4	90°	45°
DARQ-B-F04-F04-...	80	4	42	30	5,5	42	30	5,5	50	45	45	4	4	90°	45°
DARQ-B-F05-F03-...	100	5	36	25	5,5	50	35	6,5	60	50	40	4	4	90°	45°
DARQ-B-F05-F04-...	100	5	42	30	5,5	50	35	6,5	60	50	45	4	4	90°	45°
DARQ-B-F05-F05-...	100	5	50	35	6,5	50	35	6,5	60	50	50	4	4	90°	45°
DARQ-B-F07-F04-...	100	5	42	30	5,5	70	55	9	60	70	45	4	4	90°	45°
DARQ-B-F07-F05-...	100	5	50	35	6,5	70	55	9	60	70	50	4	4	90°	45°
DARQ-B-F07-F07-...	100	5	70	55	9	70	55	9	60	70	70	4	4	90°	45°
DARQ-B-F10-F05-...	120	5	50	35	6,5	102	70	11	80	95	50	4	4	90°	45°
DARQ-B-F10-F07-...	120	5	70	55	9	102	70	11	80	95	70	4	4	90°	45°
DARQ-B-F10-F10-...	120	5	102	70	11	102	70	11	80	95	95	4	4	90°	45°
DARQ-B-F12-F07-...	160	6	70	55	9	125	85	13	80	115	70	4	4	90°	45°
DARQ-B-F12-F10-...	160	6	102	70	11	125	85	13	80	115	95	4	4	90°	45°
DARQ-B-F12-F12-...	160	6	125	85	13	125	85	13	80	115	115	4	4	90°	45°

	B1	B2	D1 ∅	D2 ∅	D3 ∅	D4 ∅	D5 ∅	D6 ∅	H1	L1	L2	*N1	**N2	W1	W2
DARQ-B-F14-F10-...	160	6	102	70	11	140	100	17	80	135	95	4	4	90°	45°
DARQ-B-F14-F12-...	160	6	125	85	13	140	100	17	80	135	115	4	4	90°	45°
DARQ-B-F14-F14-...	160	6	140	100	17	140	100	17	80	135	135	4	4	90°	45°
DARQ-B-F16-F12-...	200	6	125	85	13	165	130	21	100	160	115	4	4	90°	45°
DARQ-B-F16-F14-...	200	6	140	100	17	165	130	21	100	160	135	4	4	90°	45°
DARQ-B-F16-F16-...	200	6	165	130	21	165	130	21	100	160	160	4	4	90°	45°
DARQ-B-F25-F14-...	400	10	140	100	17	254	200	17	200	270	135	8	4	45°	22,5°
DARQ-B-F25-F16-...	400	10	165	130	21	254	200	17	200	270	160	8	4	45°	22,5°
DARQ-B-F25-F25-...	400	10	254	200	17	254	200	17	200	270	270	8	4	45°	22,5°
DARQ-B-F30-F16-...	400	10	165	130	21	298	230	21	200	320	160	8	4	45°	22,5°
DARQ-B-F30-F25-...	400	10	254	200	17	298	230	21	200	320	270	8	4	45°	22,5°
DARQ-B-F30-F30-...	400	10	298	200	21	298	230	21	200	320	320	8	4	45°	22,5°

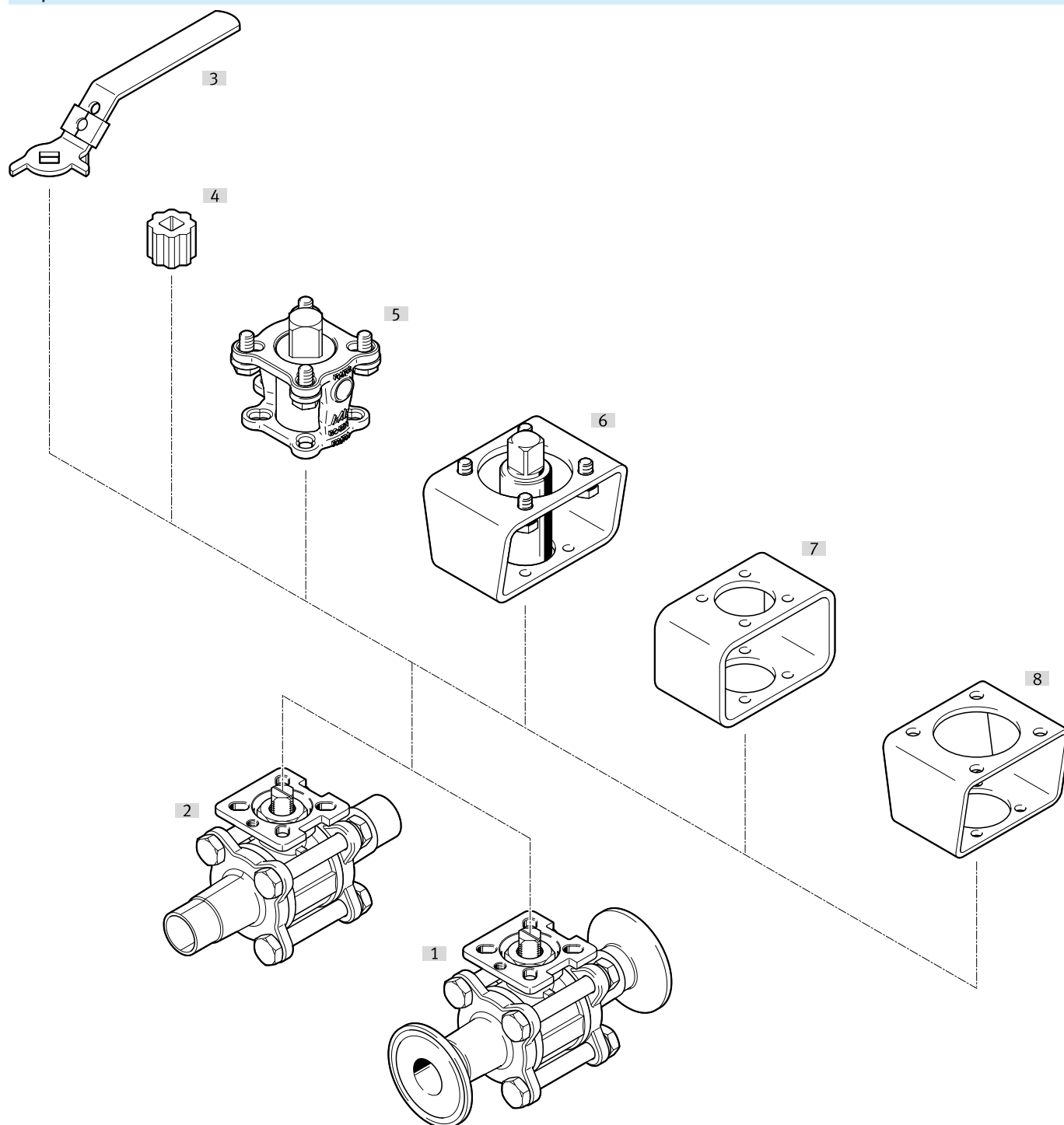
## Ordering data

extended welded ends					
	Nominal size DN	Flange hole pattern	Product weight	Part no.	Type
	15	F0304	430 g	4762847	VZBD-1/2-W1-16-T-2-F0304-V14V14
			730 g	4783595	VZBD-1/2-W3-16-T-2-F0304-V14V14
	20		530 g	4762848	VZBD-3/4-W1-16-T-2-F0304-V14V14
			930 g	4783596	VZBD-3/4-W3-16-T-2-F0304-V14V14
	25	F0405	950 g	4762849	VZBD-1-W1-16-T-2-F0405-V14V14
			1,350 g	4783597	VZBD-1-W3-16-T-2-F0405-V14V14
	32	F0507	2,050 g	4783598	VZBD-11/4-W3-16-T-2-F0405-V14V14
	40		1,970 g	4762850	VZBD-11/2-W1-16-T-2-F0507-V14V14
			3,270 g	4783599	VZBD-11/2-W3-16-T-2-F0507-V14V14
	50		3,070 g	4762851	VZBD-2-W1-16-T-2-F0507-V14V14
		5,470 g	4783600	VZBD-2-W3-16-T-2-F0507-V14V14	
	65	F0710	6,180 g	4762852	VZBD-21/2-W1-16-T-2-F0710-V14V14
			10,080 g	4783601	VZBD-21/2-W3-16-T-2-F0710-V14V14
	80	F1012	9,080 g	4762853	VZBD-3-W1-16-T-2-F0710-V14V14
100	16,180 g		4762854	VZBD-4-W1-16-T-2-F1012-V14V14	

Clamping sleeve					
	Nominal size DN	Flange hole pattern	Product weight	Part no.	Type
	15	F0304	430 g	4795666	VZBD-1/2-S1-16-T-2-F0304-V14V14
			830 g	4802244	VZBD-1/2-S5-16-T-2-F0304-V14V14
	20		530 g	4795667	VZBD-3/4-S1-16-T-2-F0304-V14V14
			1,130 g	4802245	VZBD-3/4-S5-16-T-2-F0304-V14V14
	25	F0405	950 g	4795668	VZBD-1-S1-16-T-2-F0405-V14V14
			1,550 g	4802246	VZBD-1-S5-16-T-2-F0405-V14V14
	32	F0507	2,250 g	4802247	VZBD-11/4-S5-16-T-2-F0405-V14V14
	40		1,970 g	4795669	VZBD-11/2-S1-16-T-2-F0507-V14V14
			3,370 g	4802248	VZBD-11/2-S5-16-T-2-F0507-V14V14
	50		3,070 g	4795670	VZBD-2-S1-16-T-2-F0507-V14V14
		5,670 g	4802249	VZBD-2-S5-16-T-2-F0507-V14V14	
	65	F0710	6,180 g	4795671	VZBD-21/2-S1-16-T-2-F0710-V14V14
			10,680 g	4802250	VZBD-21/2-S5-16-T-2-F0710-V14V14
	80	F1012	9,080 g	4795672	VZBD-3-S1-16-T-2-F0710-V14V14
100	16,180 g		4795673	VZBD-4-S1-16-T-2-F1012-V14V14	

## Peripherals

## Peripherals overview

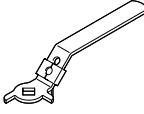


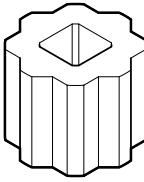
Accessories			→ Link
Type/order code	Description		
[1] Ball valve VZBD	2-way stainless steel ball valve, clamp ferrule		<a href="#">vzbd</a>
[2] Ball valve VZBD	2-way stainless steel ball valve, extended welded ends		<a href="#">vzbd</a>
[3] Hand lever VAOH	High-alloy stainless steel		19
[4] Reducing sleeve DARQ	<ul style="list-style-type: none"> <li>• Connection 1, drive outlet function</li> <li>• Connection 2, reducing outlet function</li> </ul>		19
[5] Mounting kit DARQ	<ul style="list-style-type: none"> <li>• Connection 1, drive outlet function</li> <li>• Connection 2, reducing outlet function</li> </ul>		20
[6] Mounting kit DARQ-K...R13	<ul style="list-style-type: none"> <li>• DARQ-K-V... (female square and male square)</li> <li>• DARQ-K-V... (two-flats and male square)</li> </ul>		21
[7] Mounting flange adapter DARQ	Drive outlet function		21

## Peripherals


Accessories		→ Link
Type/order code	Description	
[8] Mounting flange adapter DARQ	Reducing outletfunction	<a href="#">21</a>

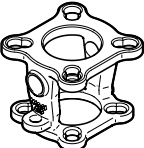
## Accessories

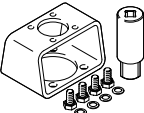
Hand lever VAOH				
	Description	Product weight	Part no.	Type
	For connection DN15...DN20	170 g	4895358	VAOH-F8-9-H9-A
	For connection DN25...DN32	250 g	4895359	VAOH-F8-11-H9-A
	For connection DN40...DN50	530 g	4895360	VAOH-F8-14-H9-A
	For connection DN65 ... DN80	820 g	4895361	VAOH-F8-17-H9-A
	For connection DN100	920 g	4895363	VAOH-F8-22-H9-A

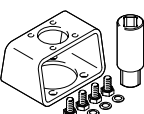
Reducing sleeve DARQ					
	Length	Product weight	Part no.	Type	
	11 mm	5 g	8082117	DARQ-R-A-S11-S9-11	
		25 g	8082131	DARQ-R-A-S11-S9-11-P5	
		50 g	8082140	DARQ-R-A-S11-S9-11-P10	
		250 g	8082145	DARQ-R-A-S11-S9-11-P50	
	12 mm	7 g	8082116	DARQ-R-A-S11-S8-12	
		35 g	8082130	DARQ-R-A-S11-S8-12-P5	
		16 mm	10 g	8082121	DARQ-R-A-S14-S12-16
			13 g	8082120	DARQ-R-A-S14-S11-16
			16 g	8082119	DARQ-R-A-S14-S10-16
			18 g	8082118	DARQ-R-A-S14-S9-16
	16 mm	20 g	8086383	DARQ-R-A-S14-S8-16	
		65 g	8082133	DARQ-R-A-S14-S11-16-P5	
		90 g	8082132	DARQ-R-A-S14-S9-16-P5	
		100 g	8086388	DARQ-R-A-S14-S8-16-P5	
		130 g	8082142	DARQ-R-A-S14-S11-16-P10	
		180 g	8082141	DARQ-R-A-S14-S9-16-P10	
		650 g	8082147	DARQ-R-A-S14-S11-16-P50	
		900 g	8082146	DARQ-R-A-S14-S9-16-P50	
		17 mm	19 g	8082123	DARQ-R-A-S17-S14-17
			25 g	8086385	DARQ-R-A-S17-S12-17
	29 g		8082122	DARQ-R-A-S17-S11-17	
	34 g		8096914	DARQ-R-A-S17-S9-17	
	36 g		8086384	DARQ-R-A-S17-S8-17	
	95 g		8082135	DARQ-R-A-S17-S14-17-P5	
	125 g		8086389	DARQ-R-A-S17-S12-17-P5	
	145 g		8082134	DARQ-R-A-S17-S11-17-P5	
	190 g		8082143	DARQ-R-A-S17-S14-17-P10	
	1,450 g		8082148	DARQ-R-A-S17-S11-17-P50	
	22 mm		46 g	8082126	DARQ-R-A-S22-S17-22
		52 g	8082125	DARQ-R-A-S22-S16-22	
		62 g	8082124	DARQ-R-A-S22-S14-22	
		75 g	8086386	DARQ-R-A-S22-S11-22	
		230 g	8082137	DARQ-R-A-S22-S17-22-P5	
		310 g	8082136	DARQ-R-A-S22-S14-22-P5	
		460 g	8082144	DARQ-R-A-S22-S17-22-P10	
		2,300 g	8082149	DARQ-R-A-S22-S17-22-P50	
	27 mm	80 g	8082127	DARQ-R-A-S27-S22-27	
		121 g	8086387	DARQ-R-A-S27-S17-27	
		400 g	8082138	DARQ-R-A-S27-S22-27-P5	
	36 mm	140 g	8096913	DARQ-R-A-S27-S14-27	
		215 g	8082128	DARQ-R-A-S36-S27-36	
		286 g	8096915	DARQ-R-A-S36-S22-36	
		1,075 g	8082139	DARQ-R-A-S36-S27-36-P5	
	46 mm	410 g	8082129	DARQ-R-A-S46-S36-46	
		618 g	8215769	DARQ-R-A-S46-S27-46	
		709 g	8215771	DARQ-R-A-S46-S22-46	

## Accessories

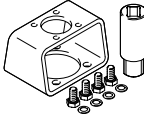
Mounting kit DARQ			
	Product weight	Part no.	Type
	232 g	8088299	DARQ-K-V-F04S11-F03S9-R1
	255 g	8088301	DARQ-K-V-F05S14-F03S9-R1
	342 g	8088297	DARQ-K-V-F05S14-F04S11-R1
	563 g	8088302	DARQ-K-V-F07S17-F04S11-R1
	771 g	8088303	DARQ-K-V-F07S17-F05S14-R1
	1,515 g	8088300	DARQ-K-V-F10S22-F05S14-R1
	1,977 g	8215767	DARQ-K-V-F10S27-F07S17-R1
	2,010 g	8088298	DARQ-K-V-F10S22-F07S17-R1

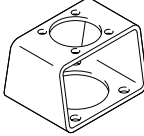
Mounting flange adapter DARQ			
	Product weight	Part no.	Type
	120 g	8087462	DARQ-B-F0405-F0304-R1
	300 g	8087463	DARQ-B-F0507-F0405-R1
	950 g	8087464	DARQ-B-F1012-F10-R1
	1,610 g	8087465	DARQ-B-F0710-F0507-R1

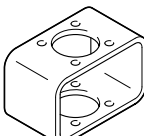
Mounting kit DARQ-K-V			
	Product weight	Part no.	Type
	392 g	8084186	DARQ-K-V-F03S9-F03S9-R13
	410 g	8084187	DARQ-K-V-F04S11-F03S9-R13
	480 g	8084188	DARQ-K-V-F04S11-F04S11-R13
	630 g	8084189	DARQ-K-V-F05S14-F03S9-R13
	725 g	8084190	DARQ-K-V-F05S14-F04S11-R13
	823 g	8084192	DARQ-K-V-F07S17-F04S11-R13
	830 g	8084191	DARQ-K-V-F05S14-F05S14-R13
	866 g	8132814	DARQ-K-V-F07S17-F03S9-R13
	926 g	8084193	DARQ-K-V-F07S17-F05S14-R13
	980 g	8084194	DARQ-K-V-F07S17-F07S14-R13
	986 g	8084195	DARQ-K-V-F07S22-F05S11-R13
	1,410 g	8133487	DARQ-K-V-F10S22-F04S11-R13
	1,432 g	8084196	DARQ-K-V-F10S22-F05S14-R13
	1,935 g	8084199	DARQ-K-V-F10S27-F05S14-R13
	2,045 g	8084197	DARQ-K-V-F10S22-F07S17-R13
	2,113 g	8084198	DARQ-K-V-F10S22-F10S22-R13
	2,116 g	8084200	DARQ-K-V-F10S27-F07S17-R13
	2,134 g	8086439	DARQ-K-V-F10S27-F07S14-R13
	2,615 g	8084201	DARQ-K-V-F12S27-F07S17-R13
	2,655 g	8131545	DARQ-K-V-F12S27-F07S14-R13
	2,728 g	8133486	DARQ-K-V-F12S27-F05S14-R13
	2,753 g	8084202	DARQ-K-V-F12S27-F10S22-R13
	3,552 g	8084203	DARQ-K-V-F12S27-F12S27-R13

Mounting kit DARQ-K-Z			
	Product weight	Part no.	Type
	385 g	8085017	DARQ-K-Z-F03S9-F03S9-R13
	400 g	8085016	DARQ-K-Z-F04S11-F03S9-R13
	465 g	8085018	DARQ-K-Z-F04S11-F04S11-R13
	620 g	8085019	DARQ-K-Z-F05S14-F03S9-R13
	710 g	8085020	DARQ-K-Z-F05S14-F04S11-R13
	795 g	8085021	DARQ-K-Z-F05S14-F05S14-R13
	810 g	8085022	DARQ-K-Z-F07S17-F04S11-R13
	890 g	8085023	DARQ-K-Z-F07S17-F05S14-R13

## Accessories

Mounting kit DARQ-K-Z			
	Product weight	Part no.	Type
	945 g	8085024	DARQ-K-Z-F07S17-F07S14-R13
	1,396 g	8085026	DARQ-K-Z-F10S22-F05S14-R13
	1,970 g	8085027	DARQ-K-Z-F10S22-F07S17-R13
	1,980 g	8085025	DARQ-K-Z-F10S22-F10S22-R13

Mounting bridge DARQ., Drive outlet function			
	Product weight	Part no.	Type
	270 g	8082978	DARQ-B-F04-F03-R13
	442 g	8082980	DARQ-B-F05-F03-R13
	461 g	8082981	DARQ-B-F05-F04-R13
	514 g	8082983	DARQ-B-F07-F04-R13
	530 g	8082984	DARQ-B-F07-F05-R13
	836 g	8082986	DARQ-B-F10-F05-R13
	920 g	8082987	DARQ-B-F10-F07-R13
	1,504 g	8082989	DARQ-B-F12-F07-R13
	1,688 g	8082990	DARQ-B-F12-F10-R13
	1,775 g	8082992	DARQ-B-F14-F10-R13
	1,889 g	8082993	DARQ-B-F14-F12-R13
	2,305 g	8083005	DARQ-B-F05-F04-R13-P5
	2,648 g	8082995	DARQ-B-F16-F12-R13
	2,650 g	8083007	DARQ-B-F07-F05-R13-P5
	2,792 g	8082996	DARQ-B-F16-F14-R13
	4,600 g	8083009	DARQ-B-F10-F07-R13-P5
	14,734 g	8082998	DARQ-B-F25-F14-R13
	15,384 g	8082999	DARQ-B-F25-F16-R13
16,740 g	8083001	DARQ-B-F30-F16-R13	
20,250 g	8083002	DARQ-B-F30-F25-R13	

Mounting flange adapter DARQ, reducing outlet function			
	Product weight	Part no.	Type
	260 g	8082977	DARQ-B-F03-F03-R13
	275 g	8082979	DARQ-B-F04-F04-R13
	478 g	8082982	DARQ-B-F05-F05-R13
	583 g	8082985	DARQ-B-F07-F07-R13
	1,037 g	8082988	DARQ-B-F10-F10-R13
	1,375 g	8083004	DARQ-B-F04-F04-R13-P5
	1,802 g	8082991	DARQ-B-F12-F12-R13
	1,976 g	8082994	DARQ-B-F14-F14-R13
	2,390 g	8083006	DARQ-B-F05-F05-R13-P5
	2,844 g	8082997	DARQ-B-F16-F16-R13
	2,915 g	8083008	DARQ-B-F07-F07-R13-P5
	5,185 g	8083010	DARQ-B-F10-F10-R13-P5
	18,895 g	8083000	DARQ-B-F25-F25-R13
	21,644 g	8083003	DARQ-B-F30-F30-R13