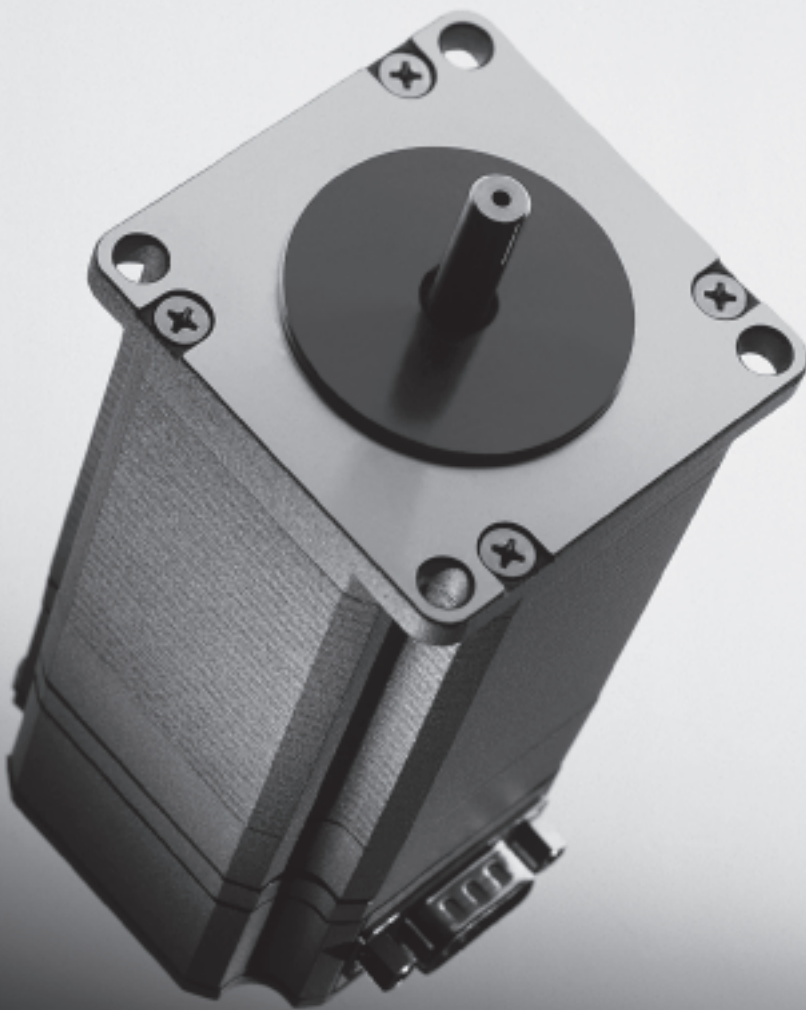


- 1 - Type discontinued  
Available up until 2008

## Stepper motors MTR-ST

FESTO



- Low-cost drive solutions
- Simple commissioning
- Co-ordinated motor controller combinations

- I - Type discontinued  
Available up until 2008

FESTO

## Stepper motors MTR-ST

Key features

### At a glance

Motor MTR-ST

→ 6

- System product for positioning applications
- Without/with brake
- Without/with gear unit
- Controlled operation
- High torque at low angle velocity or during single steps
- Step-accurate positioning through specified number of control pulses
- High holding torque and resolution



Motor flange MTR-FL

→ 10

- The right motor flange for every motor axis combination



Motor cable KMTR-ST

→ 11

- Screened cable
- Can be used at -40 ... +125 °C
- Suitable for chain link trunking
- Protection class IP67



Motor controller SEC-ST

→ 12

- System product for positioning applications
- Compact unit, ready for installation
- Adjustable power range for all motors
- Full, half, quarter, fifth, eighth, tenth, thirty-second step mode
- Selectable current reduction
- Pre-assembled electrical connection accessories



Power supply unit SVG

→ 13

- Robust hardware
- Input voltage 230 V AC/115 V AC
- Output voltage 48 V DC
- Nominal output current 5/10/20 A

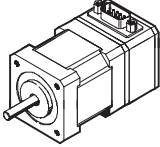


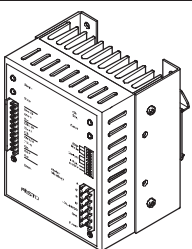
- 1 - Type discontinued  
Available up until 2008

FESTO

## Stepper motors MTR-ST

Selection aid

	Motor version	Holding torque $M_H$ in Nm	With integrated controller	With gear unit, unit ratio 4:1	With brake	→ Page/Internet
	MTR-ST-42-48S-AA	0.34	-	-	-	6
	MTR-ST-42-48S-AB	0.34	-	-	■	
	MTR-ST-57-48S-AA	1.27	-	-	-	
	MTR-ST-57-48S-AB	1.27	-	-	■	
	MTR-ST-87-48S-AA	6.47	-	-	-	
	MTR-ST-87-48S-AB	6.47	-	-	■	
	MTR-ST-87-48S-GA	23.29	-	■	-	
	MTR-ST-87-48S-GB	23.29	-	■	■	

	Motor controller version	Supply voltage	Nominal current	Operating mode	Interface	→ Page/Internet
	SEC-ST-48-6-P01	24 ... 48 V DC	1.25 ... 6 A	1/1; 1/2; 1/4; 1/5; 1/8, 1/10; 1/32	Pulse/direction	12

- I - Type discontinued  
Available up until 2008

## Stepper motors MTR-ST

Selection aid

FESTO

Permissible combinations			
Motor	MTR-ST-42-48S-AA <sup>1)</sup> MTR-ST-42-48S-AB <sup>1)</sup>	MTR-ST-57-48S-AA MTR-ST-57-48S-AB	→ Page/Internet
<b>Motor controller</b>			
SEC-ST-48-6-P01	■	■	12
<b>Cable</b>			
KMTR-ST-...	■	■	11
KMTRE-ST-...	-	-	
<b>Motor flange</b>			
MTR-FL28-ST42	■	-	10
MTR-FL30-ST42	■	-	
MTR-FL44-ST57	-	■	
<b>Electro-mechanical drive</b>			
DGE-8-...-ZR	■	-	dge-zr
DGE-12-...-ZR	■	-	
DGE-18-...-ZR	-	■	
DGE-25-...-ZR	-	■	
DGE-18-...-SP	■	-	dge-sp
DGE-25-...-SP	-	■	

- 1) The flange MTR-FL30-ST42 must be used in combination with the axis DGE-12-...-ZR  
The flange MTR-FL28-ST42 must be used in combination with the axis DGE-8-...-ZR or DGE-18-...-SP

Permissible combinations			
Motor	MTR-ST-87-48S-AA <sup>1)</sup> MTR-ST-87-48S-AB <sup>1)</sup>	MTR-ST-87-48S-GA MTR-ST-87-48S-GB	→ Page/Internet
<b>Motor controller</b>			
SEC-ST-48-6-P01	■	■	12
<b>Cable</b>			
KMTR-ST-...	■	■	11
KMTRE-ST-...	-	-	
<b>Motor flange</b>			
MTR-FL44-ST87	■	-	10
MTR-FL64-ST87	■	-	
MTR-FL64-PL80	-	■	
<b>Electro-mechanical drive</b>			
DGE-25-...-ZR	■	-	dge-zr
DGE-40-...-ZR	-	■	
DGE-40-...-SP	■	-	dge-sp
DGE-63-...-SP	-	■	
DGEA-18-...-ZR	■	-	dgea
DGEA-25-...-ZR	■	-	
DGEA-40-...-ZR	-	■	

- 1) The flange MTR-FL44-ST87 must be used in combination with the axis DGE-25-...-ZR or DGEA-18-...-ZR  
The flange MTR-FL64-ST87 must be used in combination with the axis DGE-40-...-SP or DGEA-25-...-ZR

## Stepper motors MTR-ST

Type code

		MTR	-	ST	-	42	-	48S	-	AB
<b>Type</b>										
MTR	Motor									
<b>Motor type</b>										
ST	Stepper motor									
<b>Flange dimensions</b>										
42	42 mm									
57	57 mm									
87	87 mm									
<b>Nominal voltage/connection type</b>										
48	24 ... 48 V DC									
S	Plug connection									
<b>Additional function</b>										
A	No additional function									
G	Gear unit									
B	Brake									

- I - Type discontinued  
Available up until 2008

## Stepper motors MTR-ST

Technical data

FESTO



Electrical and mechanical data for MTR-ST-42-48S-...		
	MTR-ST-42-48S-AA	MTR-ST-42-48S-AB
Nominal voltage [V]	48	
Nominal current, motor [A]	1.8	
Holding torque, motor [Nm]	0.34	
Stepper angle (full step) [°]	1.8 ±5%	
Winding resistance [Ω]	1.75 ±10%	
Winding inductance [mH]	3.0	
Drive mass moment of inertia [kg cm <sup>2</sup> ]	0.068	0.07
Voltage, brake [V]	–	24
Power, brake [W]	–	6
Holding torque, brake [Nm]	–	0.4
Radial shaft load [N]	18	18
Axial shaft load [N]	7	7
Product weight [kg]	0.39	0.49

Electrical and mechanical data for MTR-ST-57-48S-...		
	MTR-ST-57-48S-AA	MTR-ST-57-48S-AB
Nominal voltage [V]	48	
Nominal current, motor [A]	3.1	
Holding torque, motor [Nm]	1.27	
Stepper angle (full step) [°]	1.8 ±5%	
Winding resistance [Ω]	1 ±10%	
Winding inductance [mH]	3.8 ±20%	
Drive mass moment of inertia [kg cm <sup>2</sup> ]	0.48	0.5
Voltage, brake [V]	–	24
Power, brake [W]	–	6
Holding torque, brake [Nm]	–	0.4
Radial shaft load [N]	71	71
Axial shaft load [N]	10	10
Product weight [kg]	1.2	1.4

## Stepper motors MTR-ST

Technical data


Electrical and mechanical data for MTR-ST-87-48S-...				
	MTR-ST-87-48S-AA	MTR-ST-87-48S-AB	MTR-ST-87-48S-GA	MTR-ST-87-48S-GB
Nominal voltage [V]	48			
Nominal current, motor [A]	4.7			
Holding torque, motor [Nm]	6.47		23.29	
Stepper angle (full step) [°]	1.8 ±5%			
Winding resistance [Ω]	0.9 ±10%			
Winding inductance [mH]	10.8 ±20%			
Gear unit ratio	-		4:1	4:1
Gear unit efficiency	-		0.9	0.9
Torsional backlash [arcmin]	-		15	15
Torsional resistance [Nm/arcmin]	-		5.2	5.2
Drive mass moment of inertia [kg cm <sup>2</sup> ]	4	4.05	4.52	4.6
Voltage, brake [V]	-	24	-	24
Power, brake [W]	-	9	-	9
Holding torque, brake [Nm]	-	1.4	-	1.4
Radial shaft load [N]	130	130	950	950
Axial shaft load [N]	50	50	1 200	1 200
Product weight [kg]	4.2	5.0	6.4	7.2

Operating and environmental conditions				
	MTR-ST-42-...	MTR-ST-57-...	MTR-ST-87-...-A...	MTR-ST-87-...-G...
Insulation protection class to VDE 60034	B			
Protection class without/with gear unit	IP54		IP54	IP43
Ambient temperature [°C]	0 ... +50			
CE marking symbol (see conformity declaration)	As per EU EMC directive			
Storage temperature [°C]	-25 ... +60			
Relative air humidity (non-condensing) [%]	45 ... 80			

- 1 - Note

Specifications are valid for full step operation, 48 V and maximum continuous output.

Technical data for cables				
	Cable composition	Ambient temperature	Suitable for chain link trunking	Protection class, motor plug
KMTR-ST-...	7 x 0.34 mm <sup>2</sup> , screened	-40 ... +125 °C	■	IP67

-  - Type discontinued  
Available up until 2008

## Stepper motors MTR-ST

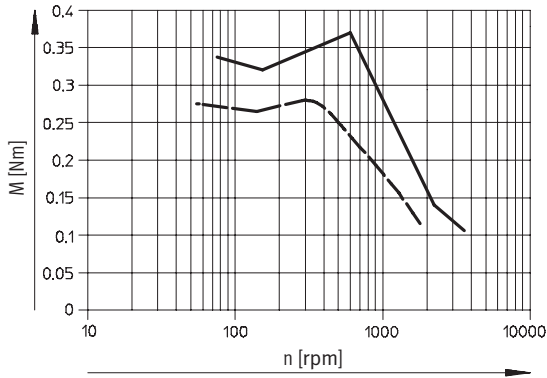
Technical data

FESTO

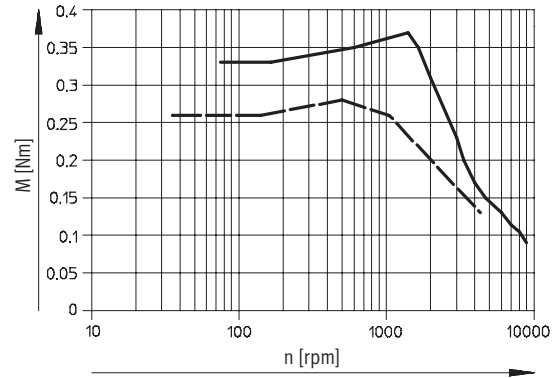
### Torque M as a function of n (r.p.m.)

at nominal voltage 24 V

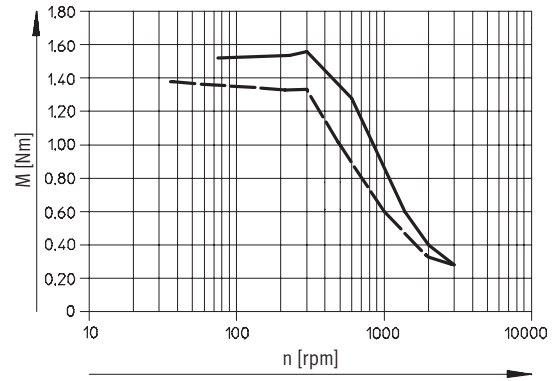
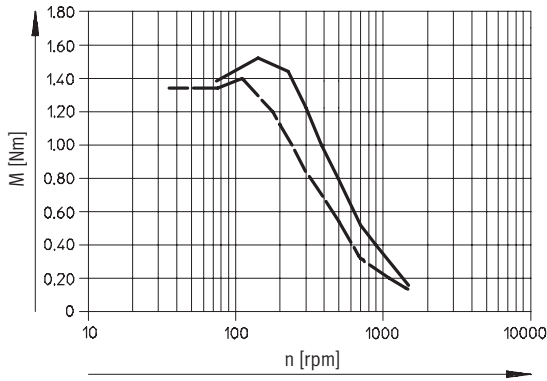
MTR-ST-42-48S...



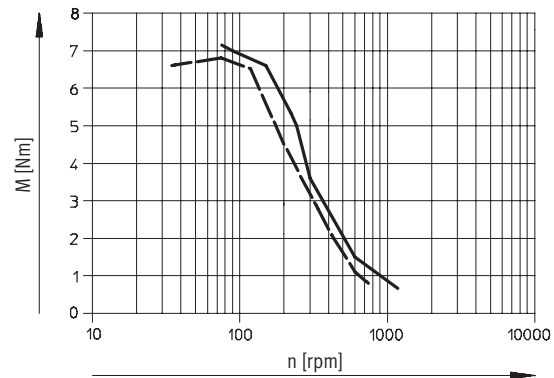
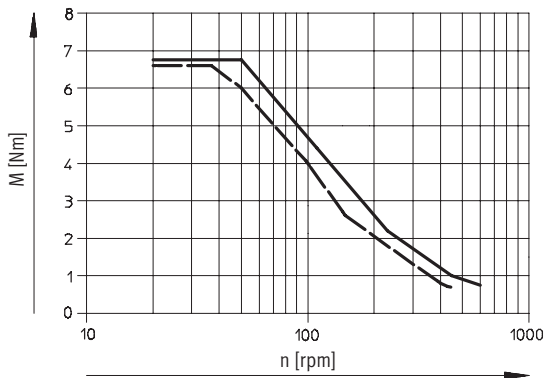
at nominal voltage 48 V




MTR-ST-57-48S...



MTR-ST-87-48S...



— Full step  
- - - Half step

-  - Note

Characteristic curves apply to motors without gear unit.  
The gear unit data must be taken into consideration for motors with gear unit.

Example:  
Holding torque for motor MTR-ST-87-48S...

without gear unit:  
Holding torque = 6.47 Nm  
(see characteristic curve)

with gear unit:  
Gear unit ratio = 4:1  
Gear unit efficiency = 0.9  
Holding torque =  
 $6.47 \text{ Nm} \times 4 \times 0.9 = 23.29 \text{ Nm}$



- 2 - Type discontinued  
Available up until 2008

# Stepper motors MTR-ST

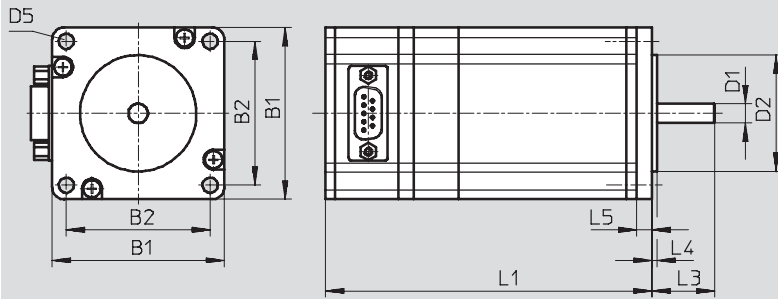
Technical data



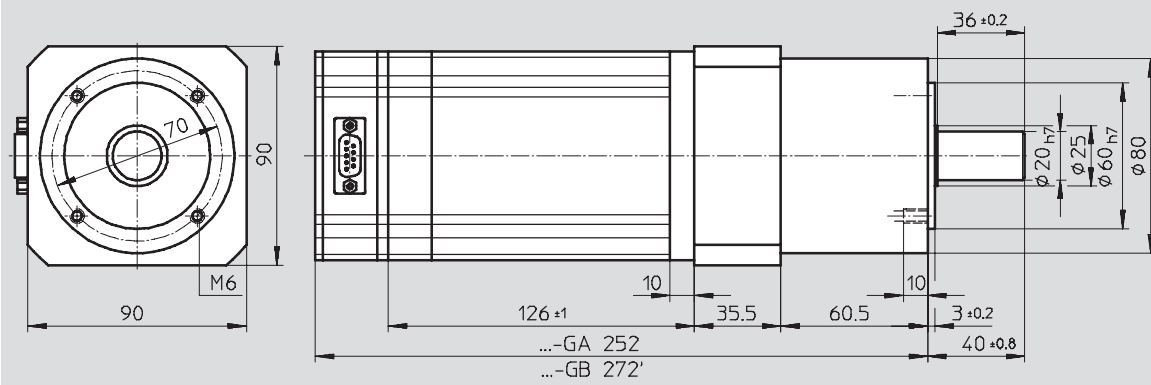
## Dimensions

Download CAD data → [www.festo.com](http://www.festo.com)


Motor  
MTR-ST...-A... (without gear unit)



MTR-ST-87-48S-G... (with gear unit)



Type	B1	B2	D1 ∅	D2 ∅	D5	L1	L3	L4	L5
MTR-ST-42-48S-AA	42	31	5	22	M3	73	24	2	-
MTR-ST-42-48S-AB						94			
MTR-ST-57-48S-AA	56.4	47.14	6.35	38.1	∅ 5	107	20.6	1.6	5
MTR-ST-57-48S-AB						128			
MTR-ST-87-48S-AA	85.8	69.6	11	73.025	∅ 6.6	156	27	2	10
MTR-ST-87-48S-AA						176			

-  - Type discontinued  
Available up until 2008

## Stepper motors MTR-ST

Technical data

FESTO

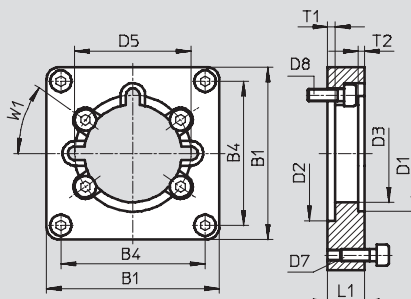
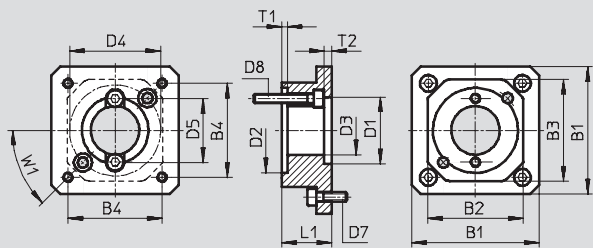
### Dimensions

Download CAD data → [www.festo.com](http://www.festo.com)

Motor flange

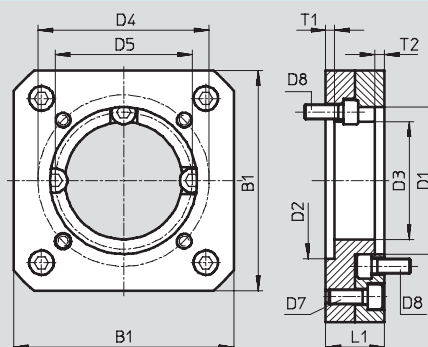
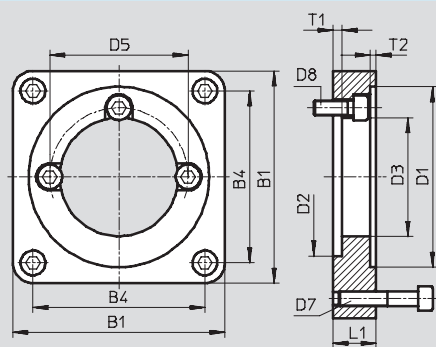
MTR-FL28-ST42

MTR-FL30-ST42 / MTR-FL44-ST57 / MTR-FL44-ST87



MTR-FL64-ST87

MTR-FL64-PL80



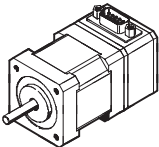
Type	B1	B2	B3	B4	D1 Ø G7	D2 Ø H7	D3 Ø	D4 Ø	D5 Ø	D7	D8	L1	T1	T2	W1
MTR-FL28-ST42	42	31.5	33.5	31	22	28	16	30	21	M3	M3	16.5	1.8	2.5	45°
MTR-FL30-ST42	42	-	-	31	22	30	16	-	26.2	M3	M3	18	4.6	2.5	30°
MTR-FL44-ST57	56.4	-	-	47.14	38.125	44	32	-	38	M4	M4	12	2.5	2	35°
MTR-FL44-ST87	85.8	-	-	69.6	73.05	44	32	-	38	M6	M4	15.5	2.5	2.5	35°
MTR-FL64-ST87	85.8	-	-	69.6	73.05	64	48	-	56	M6	M6	17.5	3.8	2.5	-
MTR-FL64-PL80	90	-	-	69.6	60	64	48	70	56	M6	M6	24	3.6	4	-

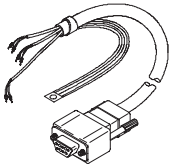
- 1 - Type discontinued  
Available up until 2008

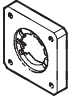
FESTO


## Stepper motors MTR-ST

Technical data

Ordering data for motor MTR...-ST-...		Part No.	Type
	MTR-ST-42-48S-...	530 057	MTR-ST-42-48S-AA
		530 058	MTR-ST-42-48S-AB
	MTR-ST-57-48S-...	530 061	MTR-ST-57-48S-AA
		530 062	MTR-ST-57-48S-AB
	MTR-ST-87-48S-...	530 065	MTR-ST-87-48S-AA
		530 066	MTR-ST-87-48S-AB
		530 067	MTR-ST-87-48S-GA
		530 068	MTR-ST-87-48S-GB

Ordering data for cable KMTR-ST-...				
	Part No.	Type	Cable length	
	Motor cable KMTR-ST-...	530 071	KMTR-ST-5	5 m
		530 072	KMTR-ST-10	10 m
		530 073	KMTR-ST-X	X length (max. 25 m)

Ordering data for flange MTR-FL-...			
	Part No.	Type	
	MTR-FL28-...	530 080	MTR-FL28-ST42
	MTR-FL30-...	530 079	MTR-FL30-ST42
	MTR-FL44-...	530 081	MTR-FL44-ST57
		530 082	MTR-FL-44-ST87
	MTR-FL64-...	533 140	MTR-FL64-ST87
		533 139	MTR-FL64-PL80

-  - Type discontinued  
Available up until 2008

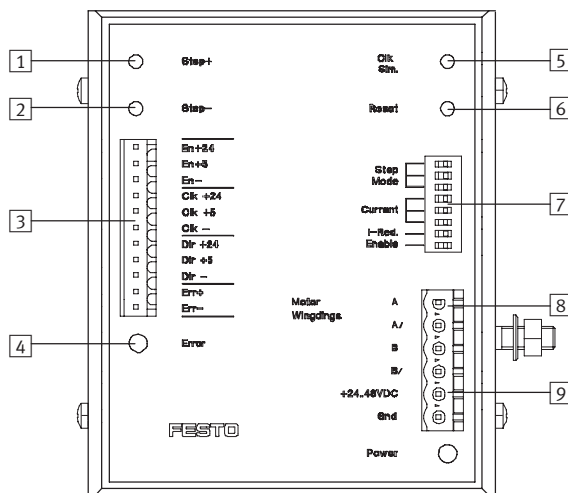
## Motor controller SEC-ST, for stepper motors

Technical data

FESTO



### Explanation of the functions/interfaces



- 1 "Step +" button
- 2 "Step -" button
- 3 Plug X1 for control cable (step, direction, etc.)
- 4 LED, indicates an error
- 5 "CLK, Sim." button
- 6 "Reset" button
- 7 DIP switch for setting the operating mode, current value and current reduction
- 8 Plug X2 for motor connection
- 9 Plug X3 for supply voltage

### General electrical data

General electrical data		SEC-ST-48-6-P01
Nominal operating voltage $V_{\text{nominal}}$	[V DC]	24 ... 48
Nominal current (adjustable) $I_{\text{nominal}}$	[A]	1.25 ... 6 via DIP switch
Max. step frequency	[kHz]	40
Current reduction (adjustable)	[%]	0 or 70 via DIP switch
Operating range Logic input	[V DC]	12 ... 30
System mode		Bipolar chopper driver
Operating mode		Full step = 200 steps/revolution Half step = 400 steps/revolution (recommended) Quarter step = 800 steps/revolution Fifth step = 1000 steps/revolution Eighth step = 1600 steps/revolution Tenth step = 2000 steps/revolution Thirty-second step = 6400 steps/revolution
Step adjustment		Via DIP switch

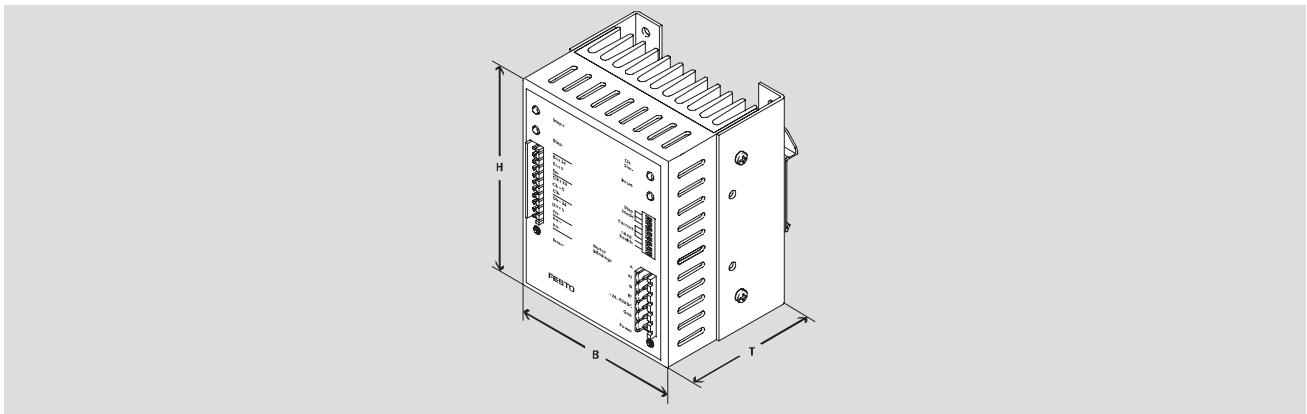
- 2 - Type discontinued  
Available up until 2008

## Motor controller SEC-ST, for stepper motors

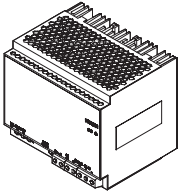
FESTO

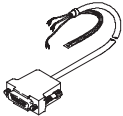
Technical data and accessories

Operating and environmental conditions		
Ambient temperature	[°C]	0 ... +40
Storage temperature	[°C]	-10 ... +60
Weight	[g]	660
Protection class		IP20
CE symbol (declaration of conformance)		In accordance with EU EMC Directive
Connection type		Screw terminal
Type of mounting		TS 35 DIN H-rail



Dimensions and ordering data					
	H	W	D	Part No.	Type
Motor controller	106	89	70	548 945	SEC-ST-48-6-P01

Ordering data for accessories						
	Brief description	Input voltage range [V AC]	Output voltage [V DC]	Nominal current [A]	Part No.	Type
						Technical data → Internet: svg
	Power supply for motor controller	100 ... 240	48	5	542 403	SVG-1/230VAC-48VDC-5A
				10	542 404	SVG-1/230VAC-48VDC-10A
		20		542 405	SVG-3/400VAC-48VDC-20A	
		400 ... 500				

Ordering data			
	Brief description	Part No.	Type
	Control cable for connecting to the axis controller SPC200 Cable length 1.5 m	530 077	KSPC-SECST-1,5

# Festo North America

## United States

### Customer Resource Center

502 Earth City Expy., Suite 125  
Earth City, MO 63045

For ordering assistance, or to find  
your nearest Festo Distributor,

**Call:** 1.800.99.FESTO

**Fax:** 1.800.96.FESTO

**Email:** [customer.service@us.festo.com](mailto:customer.service@us.festo.com)

For technical support,

**Call:** 1.866.GO.FESTO

**Fax:** 1.800.96.FESTO

**Email:** [product.support@us.festo.com](mailto:product.support@us.festo.com)

### Headquarters

Festo Corporation  
395 Moreland Road  
P.O. Box 18023  
Hauppauge, NY 11788  
[www.festo.com/us](http://www.festo.com/us)

---

### Sales Offices

#### Appleton

N. 922 Tower View Drive, Suite N  
Greenville, WI 54942

#### Boston

120 Presidential Way, Suite 330  
Woburn, MA 01801

#### Chicago

1441 East Business Center Drive  
Mt. Prospect, IL 60056

#### Dallas

1825 Lakeway Drive, Suite 600  
Lewisville, TX 75057

#### Detroit - Automotive Engineering Center

2601 Cambridge Court, Suite 320  
Auburn Hills, MI 48326

#### New York

395 Moreland Road  
Hauppauge, NY 11788

#### Silicon Valley

2800 Collier Canyon Road  
Livermore, CA 94550

## Design and Manufacturing Operations



**East:** 395 Moreland Road, Hauppauge, NY 11788



**Central:** 1441 East Business Center Drive, Mt. Prospect, IL 60056



**West:** 2800 Collier Canyon Road, Livermore, CA 94550

---

## Mexico

### Headquarters

Festo Pneumatic, S.A.  
Av. Ceylán 3, Col. Tequesquahuac  
54020 Tlalnepantla, Edo. de México  
Phone: 011 52 [55] 53 21 66 00  
Fax: 011 52 [55] 53 21 66 65  
Email: [festo.mexico@mx.festo.com](mailto:festo.mexico@mx.festo.com)  
[www.festo.com/mx](http://www.festo.com/mx)



## Canada

### Headquarters

Festo Inc.  
5300 Explorer Drive  
Mississauga, Ontario L4W 5G4  
Phone: 1.905.624.9000  
Fax: 1.905.624.9001  
Email: [info.ca@ca.festo.com](mailto:info.ca@ca.festo.com)  
[www.festo.com/ca](http://www.festo.com/ca)



---

## Festo Worldwide

Argentina Australia Austria Belarus Belgium Brazil Bulgaria Canada Chile China Colombia Croatia Czech Republic Denmark  
Estonia Finland France Germany Great Britain Greece Hong Kong Hungary India Indonesia Iran Ireland Israel Italy Japan  
Latvia Lithuania Malaysia Mexico Netherlands New Zealand Norway Peru Philippines Poland Romania Russia Serbia Singapore  
Slovakia Slovenia South Africa South Korea Spain Sweden Switzerland Taiwan Thailand Turkey Ukraine United States Venezuela

[www.festo.com](http://www.festo.com)