

CPX Terminal

EtherCAT Fieldbus Node CPX-FB38

FESTO



Fast and Easy

Uses the Communication Advantages of EtherCAT for Pneumatic Valves

Better use of the options offered by the MPA and VTSA valve terminals: thanks to its integration in a Beckhoff automation environment via TwinCAT controller software. EtherCAT provides < 1ms, deterministic response using Ethernet technology. An integrated switch provides a “fieldbus” line topology. This is associated with ease of installation and support.

Optimized Pneumatics, Electronics and Networks

The entire electropneumatic control chain integrated at one point: IP65/67 digital and analogue I/O, valves, sensor technology and proportional pneumatics.

Easily Installed and Parametrized

Pure choice: 10 connection technologies are available for I/O. Simple on site operation and parametrization via CPX-MMI and CPX-FMT.

Easily Integrated

Highly integrative and highly flexible:

- Local I/O to support up to 512 bits In/ 512 bits Out
- This includes analog and digital I/O, plus pneumatics
- De-centralize I/O and valves via the CPI system
- Additional option of integrated controller for “intelligent slave” applications
- Comprehensive diagnostic plus function integrations

CPX Terminal

EtherCAT Fieldbus Node CPX-FB38

Technical Data

| Type | CPX-FB38 |
|------------------------|---|
| Fieldbus protocol | EtherCAT |
| EtherCAT interface | <ul style="list-style-type: none"> • 2 Ethernet ports, 4-pin M12, D-coded • Integrated switch |
| Transmission rate | 100 Mbits/s |
| Additional connections | M12 service interface for CPX-MMI |
| Control elements | DIL switch: for setting the device type and system diagnostics |
| Display components | 4 x LED for system status 4 x LED for network status |
| System capacity | <ul style="list-style-type: none"> • Remote I/O or remote controller • Supports full expansion of all CPX periphery |
| Protection class | IP65/IP67 |
| Configuration support | <ul style="list-style-type: none"> • EtherCAT Device Description File (XML) • Operator unit: CPX-MMI • PC software with USB adapter: CPX-FMT |

Even More Features for Maximum Modularity and Flexibility



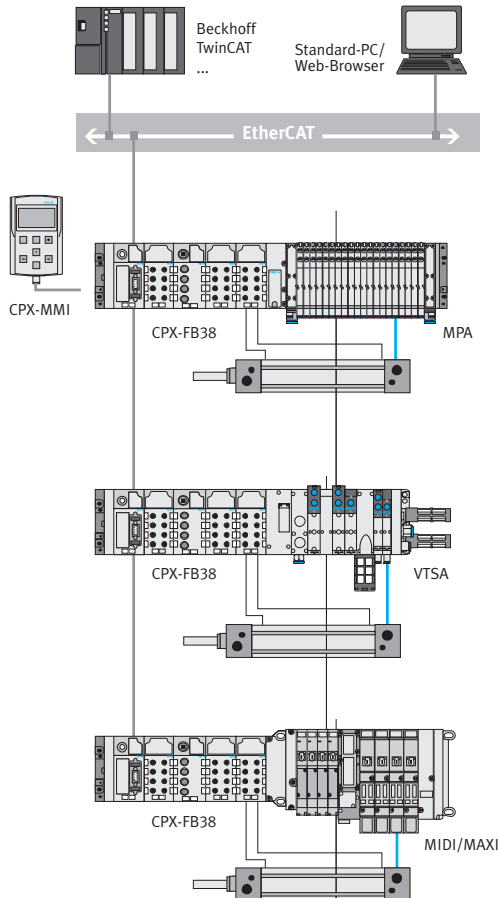
EtherCAT node CPX-FB32

Integrated Ethernet Switch

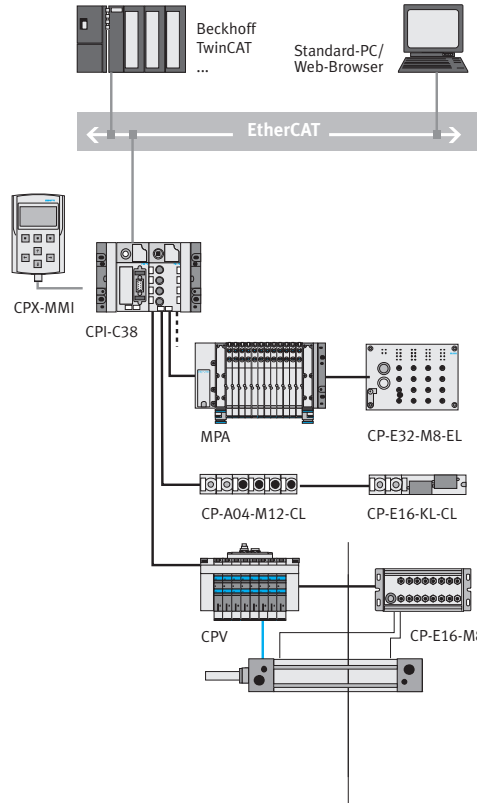
Highly flexible for network expansion: made possible by 2 EtherCAT ports on the CPX-FB38. Ring, star and line topologies offer the user a wide range of installation variants.

Control Architecture

Modular Terminal (central)



Distributed System (decentralized) CP Installation System



Electronics and Pneumatics Function Integration

Several technology modules can be integrated in the control environment via the CPX terminal:

- Pressure sensors
- Proportional pressure regulators
- Temperature measurement using RTD sensors and thermo-couples
- Servo-pneumatic positioning
- Multi-axis controllers for electromechanical actuators

Festo Corporation

For ordering assistance, or to find your nearest Festo Distributor,
Call: 1.800.99.FESTO
Fax: 1.800.96.FESTO
Email: customer.service@us.festo.com
Visit: www.festo.com/us

For technical support,
Call: 1.866.G0.FESTO
Fax: 1.800.96.FESTO
Email: product.support@us.festo.com