

Non-return valves HGL, pneumatically controlled

FESTO



STOP & GO

Stopping

With this non-return valve, the flow rate is consistently and completely blocked in one direction. The blocked port can be opened by a pneumatic control signal.

How it works

Compressed air flows in and out of the cylinder as long as the control signal is applied. If the control signal is reset, the valve blocks the compressed air and motion of the piston rod is stopped.

Advantages

- **Shutting off compressed air:**
Safeguarding against a sagging load. Stop function in the case of a horizontal motion
- **Quick push-in connector:**
Fast and easy installation/fitting
- **Robust design:**
Long service life



Stopping ...

running, moving ...

stopping.

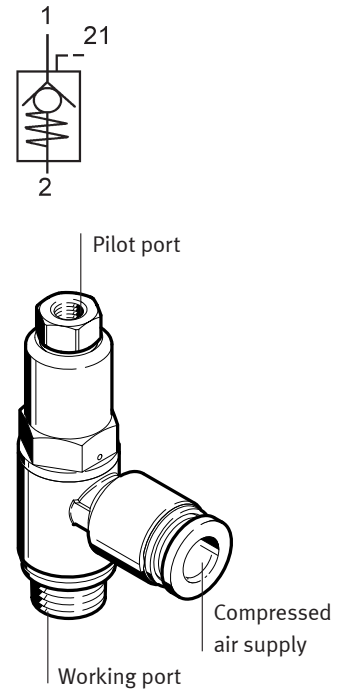
225.2.PSI →

Product Short Information

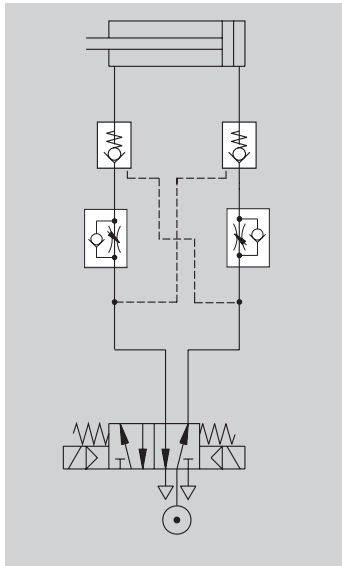
Non-return valves HGL, pneumatically controlled

Technical specifications

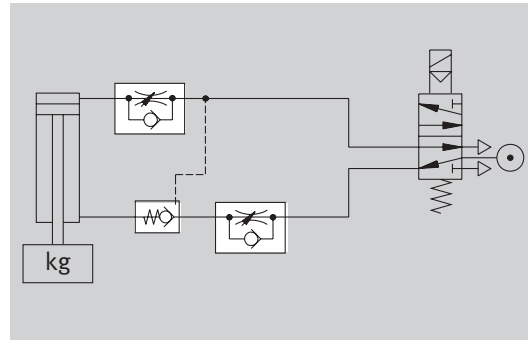
Function		Non-return function, piloted				
Type of mounting		Can be screwed in				
Variants with QS-push-in connector	Pneumatic connection 1	QS-4	QS-4; 6	QS-8; 10	QS-8; 10	QS-12
	Pneumatic connection 2	M5	G1/8	G1/4	G3/8	G1/2
	Pneumatic connection 21 (pilot air ON)	QS-4	M5	G1/8	G1/4	G3/8
Variants with internal thread connector	Pneumatic connection 1	M5	G1/8	G1/4	G3/8	G1/2
	Pneumatic connection 2	M5	G1/8	G1/4	G3/8	G1/2
	Pneumatic connection 21 (pilot air ON)	M5	M5; G1/8	G1/8	G1/4	G3/8
Flow rate qnN 6->5 bar		200 ... 1400 l/min				
Pilot pressure		2 ... 10 bar				
Operating pressure		0.5 ... 10 bar				
Operating medium		Compressed air, filtered, lubricated or unlubricated				
Ambient temperature		-10 ... +60 °C				
Material of hollow bolt		Anodised colourless aluminium				
Material of swivel connection		Die-cast zinc				



In the event of pressure failure, stop function of a horizontal motion



Safeguarding against sagging of a load in the event of pressure failure



Note

This product family, in all variants, may be used in safety-oriented applications **ONLY** in combination with additional measures detailed in EN 954-1 and after a detailed risk analysis by the user/designer. Attention is drawn to the respective product accompanying leaflet.

Festo AG & Co. KG

Ruiter Strasse 82
73734 Esslingen
Internet www.festo.com
Tel. ++49 (0)711 347-0
Fax ++49 (0)711 347-2144
E-mail service_international@festo.com