

Valve terminal CPV-SC Smart Cubic with DeviceNet

FESTO



Direct connection of the CPV-SC valve terminal to the DeviceNet

The CPV-SC is a valve terminal with a revolutionary smart format of 4 x 4 cm. Condensed technical data: 10 mm grid size, manifold integrated valves, flow rates of up to 170 l/min, up to 16 solenoid coils with multi-pin plug connection. Integrated DeviceNet node for integration into DeviceNet controlled systems.

Convincing technology

- Space-saving pneumatic connection technology – installation-optimised tubing
- Expansion via CP connection with “CompactLine” CP-I/O modules
- Complies with SEMI specifications, e.g. M12 connector technology, rotary switch used as addressing switch
- Compact pneumatic and electronic solution for optimised space utilisation within the system
- Installation-saving solution thanks to DeviceNet fieldbus interface for reduced wiring expenses



4 x 4 cm ...

+ a flow rate of 170 l/min

= Smart Cubic space-saving miracle!

226.2.PSI →

Product Short Information

Valve terminal CPV-SC

Smart Cubic with DeviceNet

Technical Data

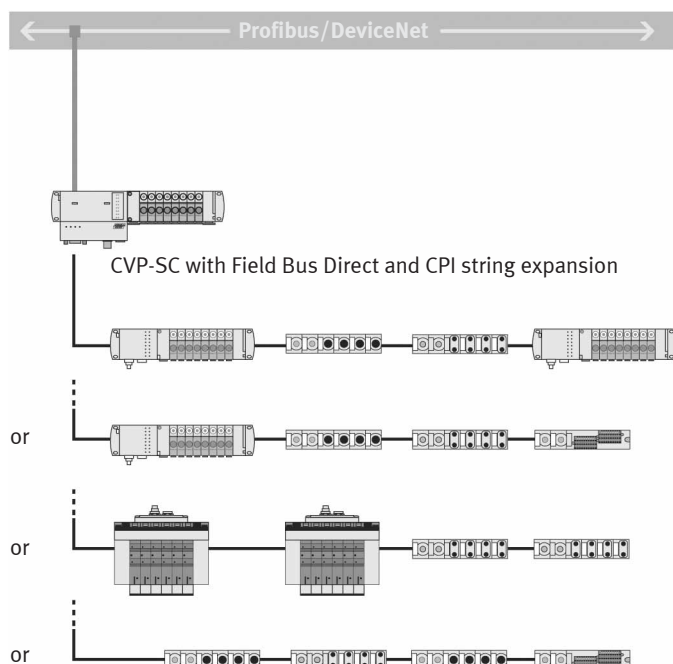
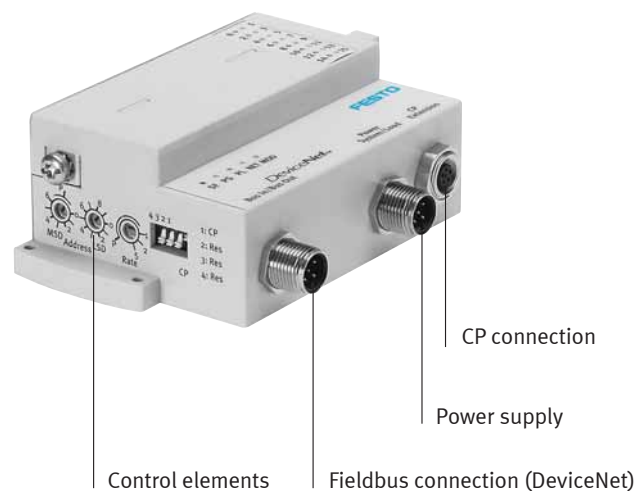
Designation	CPVSC1-AE16-DN
Protection	IP20 (IP40 with covered control elements)
Display	5 LEDs for DeviceNet, supply power and CP system
Control elements	DIL switch for operating modes Rotary switch for DeviceNet address and baud rate
Interface/connection	“DeviceNet” (M12, A coded) for bus in/out
	“Power” (M12, B coded) for system and auxiliary power supply
	“CP” (M9) for expansion with CP I/O modules
System expansion	up to 16 solenoid coils on 16 valve positions Expansion possible via CP connection with modules included in the CP installation system
Standards	Complies with DeviceNet SEMI specification (ODVA Interface Guidelines and E54-0997 Sensor/Actuator Network Standard)



Smart Cubic applications

- Expansion of the CPV-SC valve terminal's range of applications for fieldbus users to include handling and compact applications
- CPV-SC is targeted primarily at the electronics industry and light assembly (e.g. manufacturing and assembly of small, lightweight parts), and the semiconductor industry (e.g. chip manufacturing and processing)

Smart Cubic connections



Festo AG & Co. KG

Ruiter Strasse 82
73734 Esslingen
www.festo.com
Tel. +49 711 347-0
Fax +49 711 347-2144
service_international@festo.com