

Valve terminal CPV-SC CPI interface



On site in miniature

Direct connection of CPV-SC valve terminal to the installation system

CPI. So compact pneumatics can be installed precisely at the point of action. The effect: extremely compact solutions for pneumatics and electronics, meaning even the tightest of fitting spaces can be used to best effect – without impairing the efficiency or the communication. And without oversized valve terminals – thanks to CPV-SC, the intelligent, space-saving miracle in the format 4 x 4 cm. Complete with diagnostics.

Extremely communicative

Supports more than 90% of all internationally available automation systems via CPX-CP interface.

Compact and competent

- Shortest cycle times due to valves located close to the drives for up to 128 drive units on a CP string.
- Electrical installation optimised for the fitting space thanks to preassembled CP cable
- Can be combined with electrical CPI/O modules

Easy and safe to install

- Reduction in the wiring required
- Reduction in the installation work for field bus and power supply: a CP cable helps prevent malfunctions

Installation system CPI

- More I/Os: 512 inputs and 512 outputs! Each fieldbus node can be connected to up to 4 CPX-CP interface modules. With Festo plug and work®, for up to 16 modules, configured at the touch of a button.



Installed decentrally,



networked centrally,



in the whole wide fieldbus world!

226.3.PSI →

Product Short Information

Valve terminal CPV-SC CPI interface

Technical Data

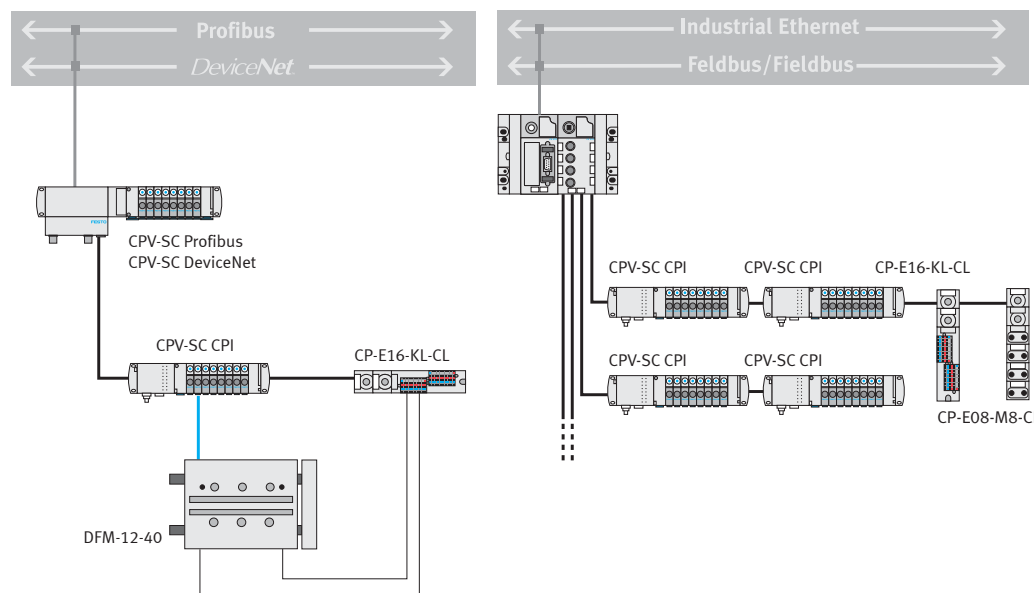
Designation	CPV-SC with CP interface
Protection class	IP40
Flow rate	Up to 170 l/min
Pressure range	-0.9 ... 7 bar
Valve positions	Up to 16 solenoid coils
Display component	1 x LED for operating status 16 x LEDs for switching status
Dimensions of the CP node in mm	70 x 40 x 40
Interface/Connector	2 x "CP" (M9) for connection to the installation system CPI, expansion with CP IO modules (CL)
Maximum expansion	512 inputs and 512 outputs 4 CPX-CP interface x 4 CP strings x 32 inputs = 512 inputs and 4 CPX-CP interface x 4 CP strings x 32 outputs = 512 outputs
Functions	<ul style="list-style-type: none"> • Vacuum-compatible, including ejector pulse • Supports the installation system CPI • Power supply and communication via pre-assembled CP cables

True miniaturisation bears the name CPV-SC with CPI interface

Only when pneumatics and electronics are miniaturised together can a system truly be called "mini". As is the case with CPV-SC with CPI interface. Often, "bigger" valve terminals with significantly higher flow rates or more electronics are used than is actually need by the actuator.

The installation system CPI makes it possible to install the valve terminal in the closest proximity to the actuator – meaning that the system really can be as compact as possible and thereby achieve much better cycle times. The principle is as follows: install decentrally, network centrally – to the whole wide fieldbus world.

Control architecture



The conclusion that must be drawn:

CPV-SC with CPI interface is the ideal solution for

- Handling of small parts with small drive units
- Applications with a high number of pneumatic drive units
- Compact applications
- Applications in which the pneumatics travel with the unit, e. g. on handling axes or robotic arms

Festo AG & Co. KG

Ruiter Strasse 82
D-73734 Esslingen
Internet www.festo.com
Tel. ++49 (0)711 347-0
Fax ++49 (0)711 347-2144
E-mail service_international@festo.com