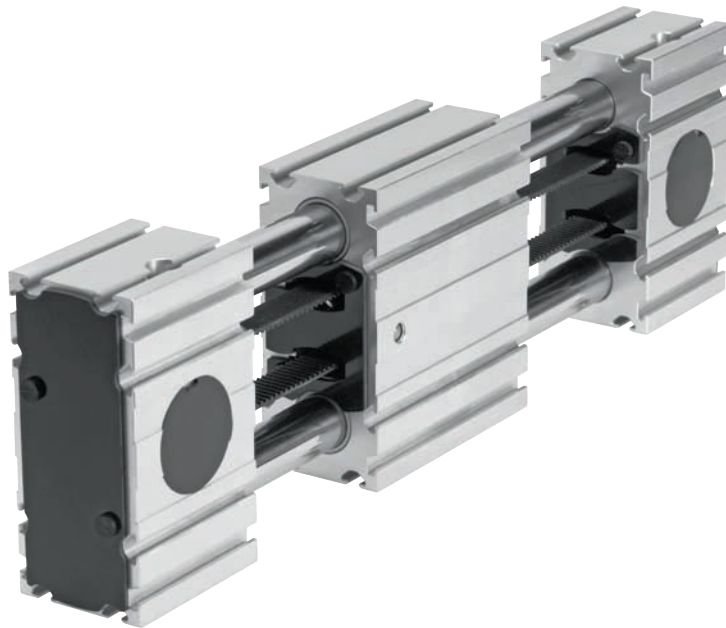


ELGR Toothed Belt Actuator

FESTO



Simple and Cost Effective

Optimal Design

The design of the ELGR actuator with standard profile construction and mounting ensures simple integration in to existing designs or for construction of cost effective gantry assemblies. The ELGR comes in three sizes with strokes up to 1.5 m, speeds of 3 m/s and a repeatability of $\pm 0.1\text{mm}$.

A variety of motor mounting kits are available and it's design provides motor mounting interfaces on all 4 sides of the actuator.

A number of options are offered with the ELGR actuator - ball bearing or plain bearing guide, X-stroke and additional slides (1-2) either standard or extended. The ELGR has a tested service life of 5,000 km

Suitability

Toothed belt axis is ideal for applications with minimal demands on forces, precision and speed. This cost effective tooth belt actuator is well suited for simple electromechanical positioning solutions where cost constraints are a deciding factor.

Reduce Engineering Time

Ready-to-install unit with guiding and mechanical interfaces. No in-house engineering is required. The ELGR actuator is integrated in the Festo sizing tool – PositioningDrives which guarantees quick and reliable selection and performance.

ELGR.PSI.US

Product Short Information

ELGR Toothed Belt Actuator

Options

- Sliding bushings
- Ball bearings for higher speeds and loads
- Extended slide for higher loads
- 1 or 2 additional slides
- Sensor bracket and switch lug for end position sensing
- Axial kits for Festo servo and stepper motors
- Profile mountings

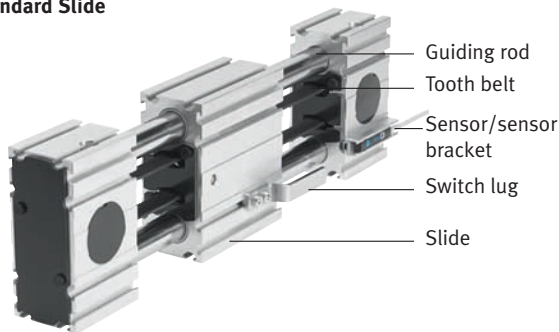
Typical Application

- Pick & Place tasks and transportation of small masses (< 15 kg) with low requirements for repetition accuracy and process forces
- Centering packages on conveyor belts with slides running in opposite directions
- Positioning packages on conveyor belts
- Activating safety doors in processing machines
- Pusher function on conveyor belts

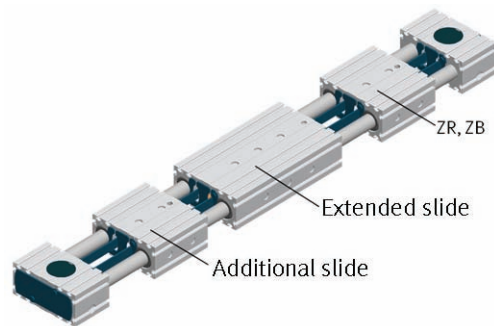
Potential Industries

- Semiconductor industry
- Electronics industry
- Light assembly industry
- Metalwork industry
- Mounting small parts
- Optical industry
- Precision mechanics
- Laboratory automation
- Industrial packing machines

Standard Slide



Extended Slide



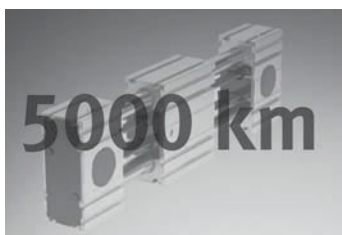
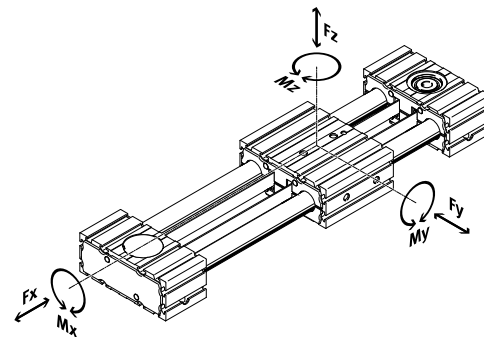
Technical Data

Size (= width of the axis profile)	35		45		55	
Guide type	BBG	PBG	BBG	PBG	BBG	PBG
Stroke [mm]	50 to 500		50 to 1000		50 to 1500	
Max. feed force F_{max} [N]	50		100		350	
Max. speed [m/s]	3	1	3	1	3	1
M_x [Nm]	2.5	1	5	2.5	10	5
M_y [Nm]	6	3	12	6	24	12
M_z [Nm]	6	3	12	6	24	12
Accuracy [mm]	±0.1					

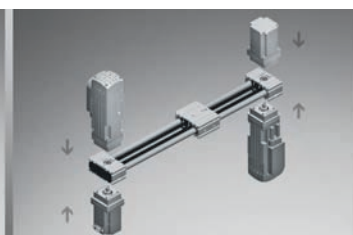
BBG = ball bearing guide, PBG = plain-bearing guide

Order Data

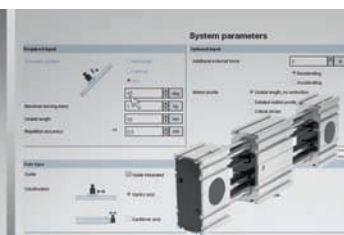
ELGR-TB-...-35-...	560505	Tooth belt actuator
ELGR-TB-...-45-...	560506	Tooth belt actuator
ELGR-TB-...-55-...	560507	Tooth belt actuator



Durable



Flexible



Simple

Festo Corporation

For ordering assistance, or to find your nearest Festo Distributor,

Call: 1.800.99.FESTO

Fax: 1.800.96.FESTO

Email: customer.service@us.festo.com

Visit: www.festo.com/us

For technical support,

Call: 1.866.G0.FESTO

Fax: 1.800.96.FESTO

Email: product.support@us.festo.com