





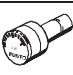




# Pressure gauges



# Pressure gauges

Product range overview

**FESTO**

Type	Pneumatic connection	Nominal size							Display unit			Red/green range	→ Page/Internet
		15	23	26	27	40	50	63	bar	MPa	psi		
Pressure gauge <b>MA-...-EN</b>	 R1/8, R1/4, G1/4	-	-	-	-	■	■	■	■	-	■	-	3
Pressure gauge with red/green range <b>MA-...-RG</b>	 R1/8, R1/4	-	-	-	-	■	■	■	■	■	■	■	6
Pressure gauge <b>MA</b>	 M5, R1/8, G1/8, G1/4	-	■	-	■	■	■	■	■	■	■	-	9
Precision pressure gauge <b>MAP</b>	 R1/8	-	-	-	-	■	-	-	■	-	■	-	13
Pressure gauge <b>MA-...-QS</b>	 QS-4, QS-6, QS-8	■	-	-	-	-	-	-	■	-	-	-	14
Flanged pressure gauge <b>FMA-...-EN</b>	 G1/4	-	-	-	-	■	■	■	■	-	■	-	15
Flanged pressure gauge <b>FMA</b>	 G1/4	-	-	-	-	-	-	■	■	-	■	-	17
Precision flanged pressure gauge <b>FMAP</b>	 G1/4	-	-	-	-	-	-	■	■	-	■	-	18
Pressure gauge <b>PAGN</b>	 For QSP10	-	-	■	-	■	-	-	■	■	■	-	20

# Pressure gauges MA-EN

Technical data

FESTO

Function




 - Temperature range  
 -20 ... +60 °C



Technical data					
Nominal size	40			50	63
Pneumatic connection	R $\frac{1}{8}$	R $\frac{1}{4}$	G $\frac{1}{4}$	G $\frac{1}{4}$	G $\frac{1}{4}$
Operating medium	Neutral liquids				
	Neutral gases				
	Not permitted: oxygen				
	Not permitted: acetylene				
Design	Bourdon tube pressure gauge				
Conforms to	EN 837-1				
Type of mounting	Inline installation				
Connection position	Centred, rear side				
Ambient temperature [°C]	-20 ... +60				
Temperature of medium [°C]	-20 ... +60 <sup>1)</sup>				
Measurement accuracy class	2.5				
Continuous load factor	0.75				
Intermittent load factor	0.66				
Protection class	IP43				
For MS series service units	MS4	MS4/MS6/MS9/MS12		-	-
Weight [g]	60	70	70	70	80

1) With a media temperature below 0 °C, the operating medium should be dry.

Materials					
Nominal size	40			50	63
Pneumatic connection	R $\frac{1}{8}$	R $\frac{1}{4}$	G $\frac{1}{4}$	G $\frac{1}{4}$	G $\frac{1}{4}$
Housing	Acrylic butadiene styrene (colour: black)				
Inspection window	Polystyrene				
Threaded plug	Brass				
Materials in contact with the medium	Brass				
Note on materials	RoHS-compliant				

Display range					
Nominal size	40			50	63
Pneumatic connection	R $\frac{1}{8}$	R $\frac{1}{4}$	G $\frac{1}{4}$	G $\frac{1}{4}$	G $\frac{1}{4}$
[bar]	[psi]				
0 ... 1	0 ... 14.5	-	-	-	■
0 ... 2.5	0 ... 36	-	-	-	■
0 ... 6	0 ... 87	-	■	■	-
0 ... 10	0 ... 145	■	■	■	■
0 ... 16	0 ... 232	■	■	■	■
0 ... 25	0 ... 360	■	■	■	-

# Pressure gauges MA-EN

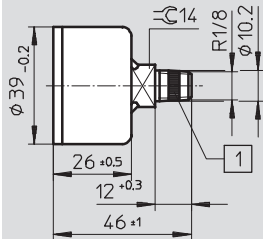
Technical data

FESTO

## Dimensions

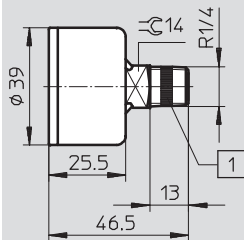
Download CAD data → [www.festo.com](http://www.festo.com)

MA-40, R<sup>1</sup>/<sub>8</sub>



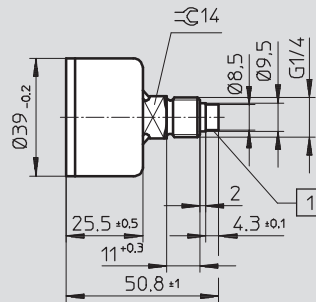
1 PTFE seal with  
MA-40-25-1/8-EN

MA-40, R<sup>1</sup>/<sub>4</sub>



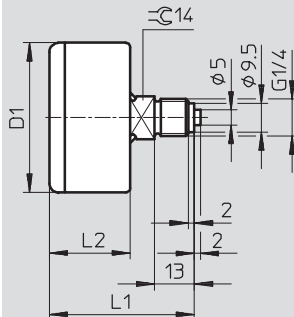
1 PTFE seal

MA-40, G<sup>1</sup>/<sub>4</sub>



1 With pre-assembled PTFE  
sealing ring

MA-50/63, G<sup>1</sup>/<sub>4</sub>



Type	D1 Ø	L1	L2
MA-50	49	47.5	26.5
MA-63	61.5	48.5	27.5

# Pressure gauges MA-EN

Technical data

**FESTO**

Ordering data						
Nominal size	Pneumatic connection	Operating pressure	Display range		Part No.	Type
			[bar]	[psi]		
40	R $\frac{1}{8}$	0 ... 10 bar	0 ... 10	0 ... 145	162835	MA-40-10- $\frac{1}{8}$ -EN
		0 ... 16 bar	0 ... 16	0 ... 232	162836	MA-40-16- $\frac{1}{8}$ -EN
		0 ... 25 bar	0 ... 25	0 ... 360	526167	MA-40-25- $\frac{1}{8}$ -EN
	R $\frac{1}{4}$	0 ... 6 bar	0 ... 6	0 ... 87	187078	MA-40-6-R $\frac{1}{4}$ -EN
		0 ... 10 bar	0 ... 10	0 ... 145	187079	MA-40-10-R $\frac{1}{4}$ -EN
		0 ... 16 bar	0 ... 16	0 ... 232	187080	MA-40-16-R $\frac{1}{4}$ -EN
		0 ... 25 bar	0 ... 25	0 ... 360	187081	MA-40-25-R $\frac{1}{4}$ -EN
	G $\frac{1}{4}$	0 ... 6 bar	0 ... 6	0 ... 87	183899	MA-40-6-G $\frac{1}{4}$ -EN
		0 ... 10 bar	0 ... 10	0 ... 145	183900	MA-40-10-G $\frac{1}{4}$ -EN
		0 ... 16 bar	0 ... 16	0 ... 232	183901	MA-40-16-G $\frac{1}{4}$ -EN
		0 ... 25 bar	0 ... 25	0 ... 360	183902	MA-40-25-G $\frac{1}{4}$ -EN
	50	G $\frac{1}{4}$	0 ... 2.5 bar	0 ... 2.5	0 ... 36	162837
0 ... 10 bar			0 ... 10	0 ... 145	162838	MA-50-10- $\frac{1}{4}$ -EN
0 ... 16 bar			0 ... 16	0 ... 232	162839	MA-50-16- $\frac{1}{4}$ -EN
63	G $\frac{1}{4}$	0 ... 1 bar	0 ... 1	0 ... 14.5	162844	MA-63-1- $\frac{1}{4}$ -EN
		0 ... 2.5 bar	0 ... 2.5	0 ... 36	162845	MA-63-2,5- $\frac{1}{4}$ -EN
		0 ... 10 bar	0 ... 10	0 ... 145	162840	MA-63-10- $\frac{1}{4}$ -EN
		0 ... 16 bar	0 ... 16	0 ... 232	162841	MA-63-16- $\frac{1}{4}$ -EN


# Pressure gauges MA-RG, with red/green range

Technical data

FESTO

Function



-  - Temperature range  
-20 ... +60 °C



The adjustable red/green range provides additional safety when monitoring compressed air.

With the two red segments above the pressure gauge scale along with the printed green segment it is possible to

individually limit the desired pressure range. This coloured demarcation enables you to recognise immediately

whether or not the pressure is in the permitted tolerance range.

Technical data			
Nominal size	40	50	63
Pneumatic connection	R $\frac{1}{8}$	R $\frac{1}{4}$	R $\frac{1}{4}$
Operating medium	Neutral liquids		
	Neutral gases		
	Not permitted: oxygen		
	Not permitted: acetylene		
Design	Bourdon tube pressure gauge		
Conforms to	EN 837-1		
Type of mounting	Inline installation		
Connection position	Centred, rear side		
Ambient temperature [°C]	-20 ... +60		
Temperature of medium [°C]	-20 ... +60 <sup>1)</sup>		
Measurement accuracy class	2.5		
Continuous load factor	0.75		
Intermittent load factor	0.66		
Protection class	IP43		
For MS series service units	MS4	MS4/MS6/MS9/MS12	-
Weight [g]	60	75	90

1) With a media temperature below 0 °C, the operating medium should be dry.

Materials	
Housing	Acrylic butadiene styrene (colour: black)
Inspection window	Polymethyl methacrylate
Threaded plug/ materials in contact with the medium	Brass
Note on materials	RoHS-compliant

# Pressure gauges MA-RG, with red/green range

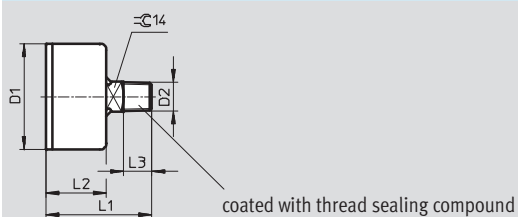
Technical data

Display range			
Nominal size	40	50	63
Pneumatic connection	R $\frac{1}{8}$	R $\frac{1}{4}$	R $\frac{1}{4}$
[bar]			
0 ... 2.5	■	■	■
0 ... 10	■	■	■
0 ... 16	■	■	■
[MPa]			
0 ... 0.25	-	■	■
0 ... 1	■	■	■
0 ... 1.6	■	■	■
[psi]			
0 ... 36	-	■	■
0 ... 145	■	■	■
0 ... 232	■	■	■

## Dimensions

Download CAD data → [www.festo.com](http://www.festo.com)

MA-...-E-RG



Type	D1 ∅ ±0.5	D2	L1 ±1	L2 ±0.5	L3
MA-40-...-E-RG	39	R $\frac{1}{8}$	46	28	10
MA-50-...-E-RG	49	R $\frac{1}{4}$	49	28	13
MA-63-...-E-RG	61.5	R $\frac{1}{4}$	50.5	29.5	13

# Pressure gauges MA-RG, with red/green range

FESTO

Technical data

Ordering data					
Nominal size	Pneumatic connection	Operating pressure	Display range	Part No.	Type
Display unit [bar]					
40	R $\frac{1}{8}$	0 ... 2.5 bar	0 ... 2.5	546963	MA-40-2,5-R $\frac{1}{8}$ -E-RG
		0 ... 10 bar	0 ... 10	525725	MA-40-10-R $\frac{1}{8}$ -E-RG
		0 ... 16 bar	0 ... 16	525726	MA-40-16-R $\frac{1}{8}$ -E-RG
50	R $\frac{1}{4}$	0 ... 2.5 bar	0 ... 2.5	525727	MA-50-2,5-R $\frac{1}{4}$ -E-RG
		0 ... 10 bar	0 ... 10	525728	MA-50-10-R $\frac{1}{4}$ -E-RG
		0 ... 16 bar	0 ... 16	525729	MA-50-16-R $\frac{1}{4}$ -E-RG
63	R $\frac{1}{4}$	0 ... 2.5 bar	0 ... 2.5	525730	MA-63-2,5-R $\frac{1}{4}$ -E-RG
		0 ... 10 bar	0 ... 10	525731	MA-63-10-R $\frac{1}{4}$ -E-RG
		0 ... 16 bar	0 ... 16	525732	MA-63-16-R $\frac{1}{4}$ -E-RG
Display unit [MPa]					
40	R $\frac{1}{8}$	0 ... 1 MPa	0 ... 1	526778	MA-40-1,0-R $\frac{1}{8}$ -MPA-E-RG
		0 ... 1.6 MPa	0 ... 1.6	526779	MA-40-1,6-R $\frac{1}{8}$ -MPA-E-RG
		0 ... 0.25 MPa	0 ... 0.25	526780	MA-50-0,25-R $\frac{1}{4}$ -MPA-E-RG
50	R $\frac{1}{4}$	0 ... 1 MPa	0 ... 1	526781	MA-50-1,0-R $\frac{1}{4}$ -MPA-E-RG
		0 ... 1.6 MPa	0 ... 1.6	526782	MA-50-1,6-R $\frac{1}{4}$ -MPA-E-RG
		0 ... 0.25 MPa	0 ... 0.25	526783	MA-63-0,25-R $\frac{1}{4}$ -MPA-E-RG
63	R $\frac{1}{4}$	0 ... 1 MPa	0 ... 1	526784	MA-63-1,0-R $\frac{1}{4}$ -MPA-E-RG
		0 ... 1.6 MPa	0 ... 1.6	526785	MA-63-1,6-R $\frac{1}{4}$ -MPA-E-RG
Display unit [psi]					
40	R $\frac{1}{8}$	0 ... 145 psi	0 ... 145	526786	MA-40-145-R $\frac{1}{8}$ -PSI-E-RG
		0 ... 232 psi	0 ... 232	526787	MA-40-232-R $\frac{1}{8}$ -PSI-E-RG
50	R $\frac{1}{4}$	0 ... 36 psi	0 ... 36	526788	MA-50-36-R $\frac{1}{4}$ -PSI-E-RG
		0 ... 145 psi	0 ... 145	526789	MA-50-145-R $\frac{1}{4}$ -PSI-E-RG
		0 ... 232 psi	0 ... 232	526790	MA-50-232-R $\frac{1}{4}$ -PSI-E-RG
63	R $\frac{1}{4}$	0 ... 36 psi	0 ... 36	526791	MA-63-36-R $\frac{1}{4}$ -PSI-E-RG
		0 ... 145 psi	0 ... 145	526792	MA-63-145-R $\frac{1}{4}$ -PSI-E-RG
		0 ... 232 psi	0 ... 232	526793	MA-63-232-R $\frac{1}{4}$ -PSI-E-RG



# Pressure gauges MA

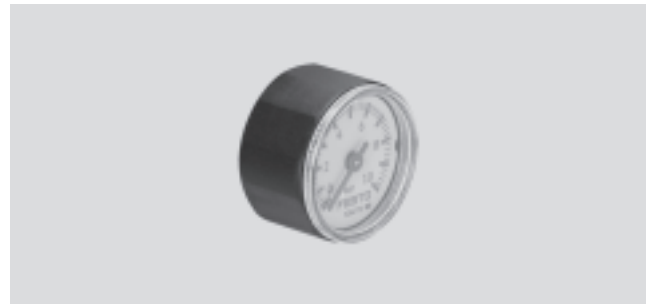
Technical data

FESTO

Function



— — Temperature range  
–20 ... +60 °C



Technical data							
Nominal size	23	27	40	50	63		
Pneumatic connection	R $\frac{1}{8}$	M5	R $\frac{1}{8}$	G $\frac{1}{8}$	G $\frac{1}{4}$	G $\frac{1}{4}$	G $\frac{1}{4}$
Operating medium	Neutral liquids						–
	Neutral gases						
	Not permitted: oxygen						
	Not permitted: acetylene						
Design	Bourdon tube pressure gauge					Capsule pressure gauge	
Conforms to	EN 837-1					EN 837-3	
Type of mounting	Inline installation						
Connection position	Centred, rear side						
Ambient temperature [°C]	–20 ... +60	0 ... +60	–20 ... +60	–20 ... +60	–20 ... +60	–20 ... +60	–20 ... +60
Temperature of medium [°C]	–20 ... +60 <sup>1)</sup>	0 ... +60	–20 ... +60 <sup>1)</sup>	–20 ... +60 <sup>1)</sup>	–20 ... +60 <sup>1)</sup>	–20 ... +60 <sup>1)</sup>	–20 ... +60 <sup>1)</sup>
Measurement accuracy class	5	4	2.5				
Continuous load factor	0.75	0.75					0.75
Intermittent load factor	0.6	0.66					0.9
Protection class	IP44	IP43					IP43
For D series service units	–	MICRO	–	MINI	–	MIDI/MAXI	–
Weight [g]	27	11	8	60	70	70	180

1) With a media temperature below 0 °C, the operating medium should be dry.

Materials							
Nominal size	23	27	40	50	63		
Pneumatic connection	R $\frac{1}{8}$	M5	R $\frac{1}{8}$	G $\frac{1}{8}$	G $\frac{1}{4}$	G $\frac{1}{4}$	G $\frac{1}{4}$
Housing	Brass (colour: black)	Polyamide (colour: black)	Acrylic butadiene styrene (colour: black)		Steel		
Inspection window	Polycarbonate	Polystyrene	Polystyrene		Polymethyl methacrylate		
Threaded plug/ materials in contact with the medium	Brass	Brass	Reinforced polyamide	Brass	Brass		
Note on materials	RoHS-compliant						

# Pressure gauges MA

Technical data

FESTO

Display range								
Nominal size		23	27	40		50	63	
Pneumatic connection		R <sup>1</sup> / <sub>8</sub>	M5	R <sup>1</sup> / <sub>8</sub>	G <sup>1</sup> / <sub>8</sub>	G <sup>1</sup> / <sub>4</sub>	G <sup>1</sup> / <sub>4</sub>	G <sup>1</sup> / <sub>4</sub>
[bar]	[psi]							
0 ... 0.25	0 ... 3.6	-	-	-	-	-	-	■
0 ... 6	0 ... 87	■	-	-	-	-	-	-
0 ... 10	0 ... 145	■	-	-	■	-	■	-
0 ... 16	0 ... 232	■	-	■	■	-	■	-
0 ... 25	0 ... 360	-	-	■	-	-	-	-
[bar]								
0 ... 10		-	■	-	-	-	-	-
[MPa]								
0 ... 0.6		-	-	-	-	■	-	-
0 ... 1		-	■	-	■	■	■	-
0 ... 1.6		-	-	-	■	■	■	-
0 ... 2.5		-	-	-	-	■	-	-
[psi]								
0 ... 160		-	■	-	-	-	-	-

# Pressure gauges MA

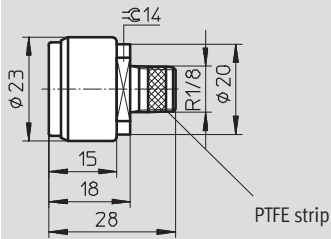
Technical data

FESTO

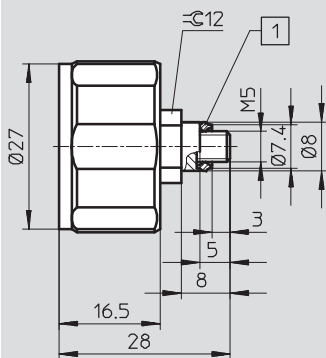
## Dimensions

Download CAD data → [www.festo.com](http://www.festo.com)

### MA-23

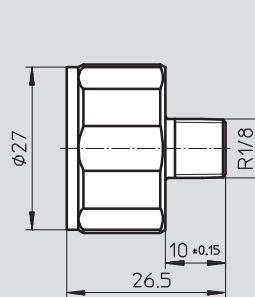


### MA-27, M5

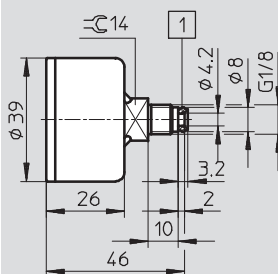


1 With pre-assembled polyamide sealing ring

### MA-27, R1/8

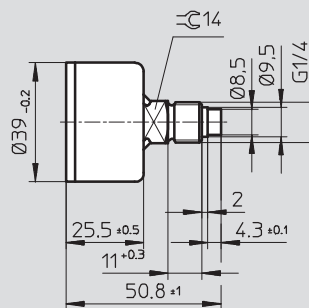


### MA-40, G1/8

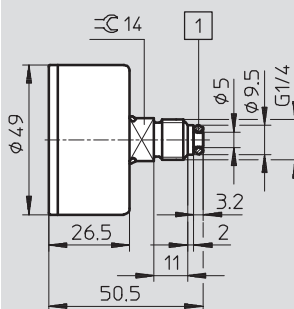


1 With pre-assembled aluminium sealing ring with MA-40-...-G1/8-MPA

### MA-40, G1/4

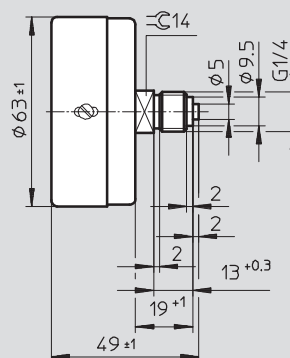


### MA-50



1 With pre-assembled aluminium sealing ring with MA-50-...-G1/4-MPA

### MA-63



# Pressure gauges MA

Technical data

**FESTO**

Ordering data						
Nominal size	Pneumatic connection	Operating pressure	Display range		Part No.	Type
			[bar]	[psi]		
23	R $\frac{1}{8}$	0 ... 6 bar	0 ... 6	0 ... 87	183896	MA-23-6-R $\frac{1}{8}$
		0 ... 10 bar	0 ... 10	0 ... 145	183897	MA-23-10-R $\frac{1}{8}$
		0 ... 16 bar	0 ... 16	0 ... 232	183898	MA-23-16-R $\frac{1}{8}$
27	R $\frac{1}{8}$	0 ... 16 bar	0 ... 16	0 ... 232	541733	MA-27-16-R $\frac{1}{8}$
		0 ... 25 bar	0 ... 25	0 ... 360	541734	MA-27-25-R $\frac{1}{8}$
40	G $\frac{1}{8}$	0 ... 10 bar	0 ... 10	0 ... 145	359874	MA-40-10- $\frac{1}{8}$
		0 ... 16 bar	0 ... 16	0 ... 232	345395	MA-40-16- $\frac{1}{8}$
50	G $\frac{1}{4}$	0 ... 10 bar	0 ... 10	0 ... 145	359873	MA-50-10- $\frac{1}{4}$
		0 ... 16 bar	0 ... 16	0 ... 232	356759	MA-50-16- $\frac{1}{4}$
63	G $\frac{1}{4}$	0 ... 0.25 bar	0 ... 0.25	0 ... 3.6	7169	MA-63-0,25

Ordering data						
Nominal size	Pneumatic connection	Operating pressure	Display range		Part No.	Type
			[bar]	[psi]		
Display unit [bar]						
27	M5	0 ... 10 bar	0 ... 10		526323	MA-27-10-M5
Display unit [MPa]						
27	M5	0 ... 1 MPa	0 ... 1		526324	MA-27-1,0-M5-MPA
40	G $\frac{1}{8}$	0 ... 1 MPa	0 ... 1		192732	MA-40-1-G $\frac{1}{8}$ -MPA
		0 ... 1.6 MPa	0 ... 1.6		192733	MA-40-1,6-G $\frac{1}{8}$ -MPA
	G $\frac{1}{4}$	0 ... 0.6 MPa	0 ... 0.6		184285	MA-40-0,6-G $\frac{1}{4}$ -MPA
		0 ... 1 MPa	0 ... 1		184286	MA-40-1,0-G $\frac{1}{4}$ -MPA
		0 ... 1.6 MPa	0 ... 1.6		184287	MA-40-1,6-G $\frac{1}{4}$ -MPA
		0 ... 2.5 MPa	0 ... 2.5		184288	MA-40-2,5-G $\frac{1}{4}$ -MPA
50	G $\frac{1}{4}$	0 ... 1 MPa	0 ... 1		192734	MA-50-1-G $\frac{1}{4}$ -MPA
		0 ... 1.6 MPa	0 ... 1.6		192735	MA-50-1,6-G $\frac{1}{4}$ -MPA
Display unit [psi]						
27	M5	0 ... 160 psi	0 ... 160		527405	MA-27-160-M5-PSI

# Precision pressure gauges MAP

FESTO

Technical data

Function



-  - Temperature range  
-20 ... +60 °C



Technical data	
Nominal size	40
Pneumatic connection	R1/8
Operating medium	Neutral liquids
	Neutral gases
	Not permitted: oxygen
	Not permitted: acetylene
Design	Bourdon tube pressure gauge
Conforms to	EN 837-1
Type of mounting	Inline installation
Connection position	Centred, rear side
Ambient temperature [°C]	-20 ... +60
Temperature of medium [°C]	-20 ... +60 <sup>1)</sup>
Measurement accuracy class	1.6
Continuous load factor	0.75
Intermittent load factor	0.66
Protection class	IP43
Weight [g]	60

1) With a media temperature below 0 °C, the operating medium should be dry.

Materials	
Housing	Acrylic butadiene styrene (colour: black)
Inspection window	Polystyrene
Threaded plug/ materials in contact with the medium	Brass
Note on materials	RoHS-compliant

**Dimensions** Download CAD data → [www.festo.com](http://www.festo.com)

Ordering data					
Nominal size	Pneumatic connection	Operating pressure	Display range		Part No. Type
			[bar]	[psi]	
40	R1/8	0 ... 1 bar	0 ... 1	0 ... 15	161126 MAP-40-1-1/8-EN
		0 ... 4 bar	0 ... 4	0 ... 58	162842 MAP-40-4-1/8-EN
		0 ... 6 bar	0 ... 6	0 ... 87	161127 MAP-40-6-1/8-EN
		0 ... 16 bar	0 ... 16	0 ... 232	161128 MAP-40-16-1/8-EN


# Pressure gauges MA-QS

Technical data

FESTO

Function



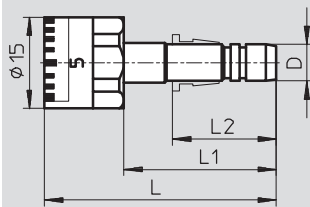
-  - Temperature range  
-20 ... +60 °C



Technical data	
Nominal size	15
Pneumatic connection	QS-4      QS-6      QS-8
Operating medium	Neutral liquids
	Neutral gases
	Not permitted: oxygen
	Not permitted: acetylene
Design	Bourdon tube pressure gauge without measuring mechanism
Conforms to	EN 837-1
Type of mounting	Inline installation
Connection position	Centred, rear side
Ambient temperature [°C]	-20 ... +60
Temperature of medium [°C]	-20 ... +60
Measurement accuracy class	5
Continuous load factor	0.75
Intermittent load factor	0.66
Protection class	IP53
Weight [g]	10

Materials	
Housing	Steel (colour: black)
Inspection window	Polycarbonate
Threaded plug/ materials in contact with the medium	Brass
Note on materials	RoHS-compliant

## Dimensions Download CAD data → [www.festo.com](http://www.festo.com)



Dimensions and ordering data								
Nominal size	Pneumatic connection D	L	L1	L2	Operating pressure	Display range	Part No.	Type
						[bar]		
15	QS-4	36	23	15	0 ... 10 bar	0 ... 10	153383	MA-15-10-QS-4
	QS-6	38	25	17	0 ... 10 bar	0 ... 10	153384	MA-15-10-QS-6
	QS-8	34	21	18.5	0 ... 10 bar	0 ... 10	153385	MA-15-10-QS-8

# Flanged pressure gauges FMA-EN

Technical data

FESTO

Function



-  - Temperature range  
-20 ... +60 °C



Technical data			
Nominal size	40	50	63
Pneumatic connection	G $\frac{1}{4}$	G $\frac{1}{4}$	G $\frac{1}{4}$
Operating medium	Neutral liquids		
	Neutral gases		
	Not permitted: oxygen		
	Not permitted: acetylene		
Design	Bourdon tube pressure gauge		
Conforms to	EN 837-1		
Type of mounting	Front panel mounting		
Connection position	Centred, rear side		
Ambient temperature [°C]	-20 ... +60		
Temperature of medium [°C]	-20 ... +60 <sup>1)</sup>		
Measurement accuracy class	2.5		
Continuous load factor	0.75		
Intermittent load factor	0.66		
Protection class	IP43		
Weight [g]	80	100	120

1) With a media temperature below 0 °C, the operating medium should be dry.

Materials	
Housing	Acrylic butadiene styrene (colour: black)
Inspection window	Styrene acrylonitrile copolymer
Mounting ring	Steel
Threaded plug/ materials in contact with the medium	Brass
Note on materials	RoHS-compliant

Display range			
Nominal size	40	50	63
Pneumatic connection	G $\frac{1}{4}$	G $\frac{1}{4}$	G $\frac{1}{4}$
[bar]	[psi]		
0 ... 2.5	0 ... 36	-	■
0 ... 10	0 ... 145	■	■
0 ... 16	0 ... 232	■	■

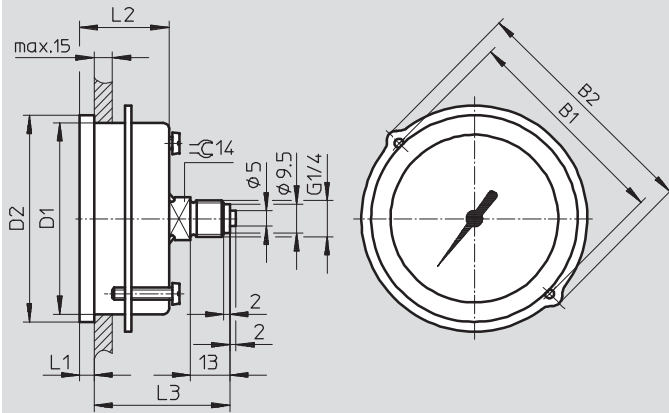
# Flanged pressure gauges FMA-EN

Technical data

**FESTO**

## Dimensions

Download CAD data → [www.festo.com](http://www.festo.com)



Type	B1	B2	D1 Ø	D2 Ø	L1	L2	L3
FMA-40	48	56	40	45	4.5	26.5	43
FMA-50	57	66	49.5	54	4.5	26.8	43.3
FMA-63	70	79	63	68	4.8	29.5	42.5

## Ordering data

Nominal size	Pneumatic connection	Operating pressure	Display range		Part No.	Type
			[bar]	[psi]		
40	G1/4	0 ... 10 bar	0 ... 10	0 ... 145	159596	FMA-40-10-1/4-EN
		0 ... 16 bar	0 ... 16	0 ... 232	159597	FMA-40-16-1/4-EN
50	G1/4	0 ... 2.5 bar	0 ... 2.5	0 ... 36	159598	FMA-50-2,5-1/4-EN
		0 ... 10 bar	0 ... 10	0 ... 145	159599	FMA-50-10-1/4-EN
		0 ... 16 bar	0 ... 16	0 ... 232	159600	FMA-50-16-1/4-EN
63	G1/4	0 ... 2.5 bar	0 ... 2.5	0 ... 36	159601	FMA-63-2,5-1/4-EN
		0 ... 10 bar	0 ... 10	0 ... 145	159602	FMA-63-10-1/4-EN
		0 ... 16 bar	0 ... 16	0 ... 232	159603	FMA-63-16-1/4-EN



# Flanged pressure gauges FMA

Technical data

FESTO

Function



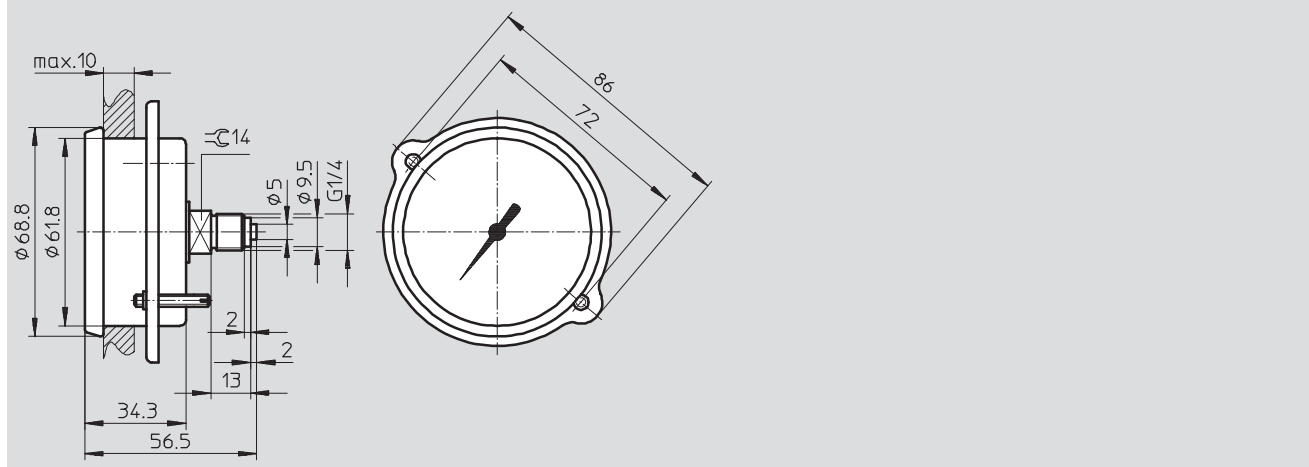
Temperature range  
-20 ... +60 °C



Technical data	
Nominal size	63
Pneumatic connection	G1/4
Operating medium	Liquid media
	Gaseous media
	Not permitted: oxygen
	Not permitted: acetylene
Design	Capsule pressure gauge
Conforms to	EN 837-3
Type of mounting	Front panel mounting
Connection position	Centred, rear side
Ambient temperature [°C]	-20 ... +60
Temperature of medium [°C]	-20 ... +80
Measurement accuracy class	1.6
Continuous load factor	0.75
Intermittent load factor	0.9
Protection class	IP43
Weight [g]	120

Materials	
Housing	Steel
Inspection window	Polymethyl methacrylate
Mounting ring/screws	Steel
Threaded plug	Brass

## Dimensions Download CAD data → [www.festo.com](http://www.festo.com)



Ordering data						
Nominal size	Pneumatic connection	Operating pressure	Display range		Part No.	Type
			[bar]	[psi]		
63	G1/4	0 ... 0.25 bar	0 ... 0.25	0 ... 3.6	225783	FMA-63-0,25-C


# Precision flanged pressure gauges FMAP

Technical data

FESTO

Function



-  - Temperature range  
-20 ... +60 °C



Technical data	
Nominal size	63
Pneumatic connection	G $\frac{1}{4}$
Operating medium	Neutral liquids
	Neutral gases
	Not permitted: oxygen
	Not permitted: acetylene
Design	Bourdon tube pressure gauge
Conforms to	EN 837-1
Type of mounting	Front panel mounting
Connection position	Centred, rear side
Ambient temperature [°C]	-20 ... +60
Temperature of medium [°C]	-20 ... +60 <sup>1)</sup>
Measurement accuracy class	1.0
Continuous load factor	0.75
Intermittent load factor	0.66
Protection class	IP43
Weight [g]	120

1) With a media temperature below 0 °C, the operating medium should be dry.

Materials	
Housing	Acrylic butadiene styrene (colour: black)
Inspection window	Styrene acrylonitrile copolymer
Mounting ring	Steel
Threaded plug/ materials in contact with the medium	Brass
Note on materials	RoHS-compliant

Dimensions	Download CAD data → <a href="http://www.festo.com">www.festo.com</a>

## Precision flanged pressure gauges FMAP

FESTO

Technical data

Ordering data						
Nominal size	Pneumatic connection	Operating pressure	Display range		Part No.	Type
			[bar]	[psi]		
63	G $\frac{1}{4}$	0 ... 1 bar	0 ... 1	0 ... 15	161129	FMAP-63-1- $\frac{1}{4}$ -EN
		0 ... 4 bar	0 ... 4	0 ... 58	162843	FMAP-63-4- $\frac{1}{4}$ -EN
		0 ... 6 bar	0 ... 6	0 ... 87	161130	FMAP-63-6- $\frac{1}{4}$ -EN
		0 ... 16 bar	0 ... 16	0 ... 232	161131	FMAP-63-16- $\frac{1}{4}$ -EN


# Pressure gauges PAGN

Technical data

FESTO

Function



-  - Temperature range  
-20 ... +60 °C



Technical data		
Nominal size	26	40
Pneumatic connection	For QSP10	For QSP10
Operating medium	Neutral liquids	
	Neutral gases	
	Not permitted: oxygen	
	Not permitted: acetylene	
Design	Bourdon tube pressure gauge	
Conforms to	EN 837-1	
Type of mounting	Inline installation	
Connection position	Centred, rear side	
Ambient temperature [°C]	-20 ... +60	
Temperature of medium [°C]	-20 ... +60 <sup>1)</sup>	
Measurement accuracy class	4.0	2.5
Continuous load factor	0.75	
Intermittent load factor	0.66	
Protection class	IP43	
	NEMA 4	
Weight [g]	15	50

1) With a media temperature below 0 °C, the operating medium should be dry.

Materials		
Housing	Polyamide (colour: black)	Acrylic butadiene styrene (colour: black)
Inspection window	Polystyrene	
Threaded plug/ materials in contact with the medium	Brass	
Note on materials	RoHS-compliant	

Dimensions		Download CAD data → <a href="http://www.festo.com">www.festo.com</a>
<p>PAGN-26</p>	<p>PAGN-40</p>	
<p><b>1</b> Sealing ring</p>		

# Pressure gauges PAGN

Technical data

**FESTO**

Ordering data						
Nominal size	Pneumatic connection	Operating pressure	Display range		Part No.	Type
			Outer scale	Inner scale		
Outer scale in bar, inner scale in psi						
26	For QSP10	0 ... 10 bar	0 ... 10 bar	0 ... 145 psi	543488	PAGN-26-10-P10
		0 ... 16 bar	0 ... 16 bar	0 ... 232 psi	543487	PAGN-26-16-P10
40	For QSP10	0 ... 10 bar	0 ... 10 bar	0 ... 145 psi	548009	PAGN-40-10-P10
		0 ... 16 bar	0 ... 16 bar	0 ... 232 psi	548010	PAGN-40-16-P10
Outer scale in psi, inner scale in bar						
26	For QSP10	0 ... 145 psi	0 ... 145 psi	0 ... 10 bar	563732	PAGN-26-145P-P10
		0 ... 232 psi	0 ... 232 psi	0 ... 16 bar	563731	PAGN-26-232P-P10
40	For QSP10	0 ... 145 psi	0 ... 145 psi	0 ... 10 bar	563734	PAGN-40-145P-P10
		0 ... 232 psi	0 ... 232 psi	0 ... 16 bar	563733	PAGN-40-232P-P10
Outer scale in MPa						
26	For QSP10	0 ... 1 MPa	0 ... 1 MPa	–	563736	PAGN-26-1M-P10
		0 ... 1.6 MPa	0 ... 1.6 MPa	–	563735	PAGN-26-1.6M-P10
40	For QSP10	0 ... 1 MPa	0 ... 1 MPa	–	563738	PAGN-40-1M-P10
		0 ... 1.6 MPa	0 ... 1.6 MPa	–	563737	PAGN-40-1.6M-P10