

# Long-stroke grippers HGPL

**FESTO**



## Sturdier!

### **Sturdy, powerful and space-optimised**

The new long-stroke gripper HGPL for mechanical engineering. Convincing design with integrated proximity sensors and adjustable opening stroke.

### **Complete integration ...**

SM...10 sensors can be integrated in the housing. All without sheet metal lugs with attached sensor brackets and inductive sensors.

### **Fully compatible**

Free and easy combination with a wide range of slides, handling axes and rotary drives from the Festo modular handling system.

### **Faster**

... Thanks to the adjustable opening stroke – even the smallest optimisation i.e. reduction of the opening stroke speeds of the process.

### **Simply user-friendly**

... Gripper software for selecting and designing gripper solutions.

### **Controlled**

Absorbs high torque loads and process forces, even in dynamic applications.



Balls ...

pipes ...

shafts.

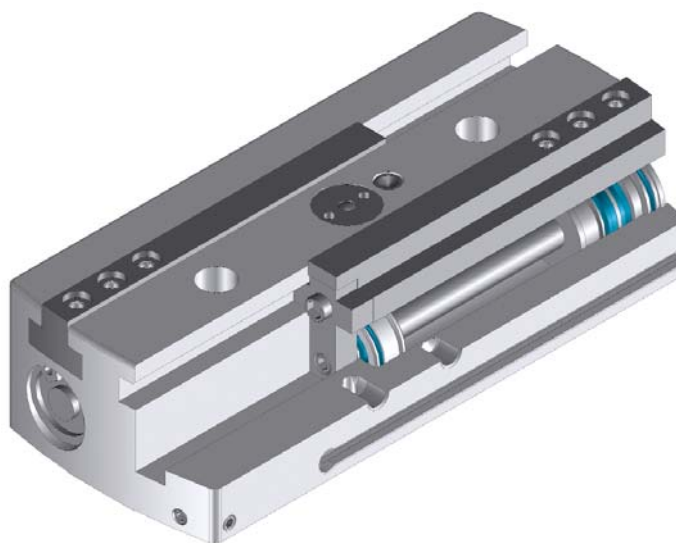
139.2.PSI →

Product Short Information

# Long-stroke grippers HGPL

## Variants and designs

- Guide: T-slot plain bearing guide
- Sensing option: SM..-10 sensors
- Accessories: unmachined gripper fingers
- Adjustable opening stroke
- Lubrication nipple permits relubrication of the guide



## Technical data

Size		HGPL-14		HGPL-25		HGPL-40	
Gripper jaw stroke per gripper jaw	[mm]	40	80	40	80	40	80
Opening stroke adjustment	approx. %	50	50	50	50	50	50
Gripping forces at 6 bar, opening, per gripper jaw	[N]	60		185		530	
Gripping forces at 6 bar, closing, per gripper jaw	[N]	75		230		640	
Repetition accuracy		< 0.1 mm					
Pressure range		4 ... 8 bar					
Closing time		< 0.2 s					

## Festo AG & Co. KG

Ruiter Strasse 82  
 73734 Esslingen  
 Internet [www.festo.com](http://www.festo.com)  
 Tel. ++49 (0)711 347-0  
 Fax ++49 (0)711 347-2144  
 E-mail [service\\_international@festo.com](mailto:service_international@festo.com)