

Electric mini slide EGSL

FESTO



Maximum performance and extreme precision are the main advantages of the electric mini slide EGSL. The slide's precision, load capacity and dynamic response with strokes of up to 300 mm make positioning amazingly efficient. It lends itself particularly well to vertical applications and short-stroke slide functions with variable positioning.

Extremely precise

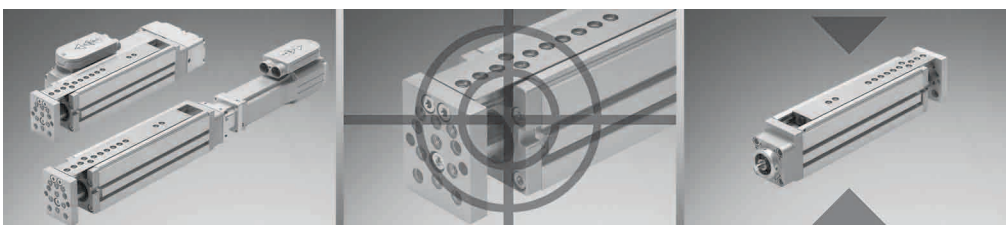
The EGSL is ideal for high-precision sliding, picking and inserting, even under high mechanical loads. Linearity and parallelism are in the 1/100 mm range. Free positioning is possible with a repetition accuracy of $\leq \pm 0.015$ mm.

Versatile motor position

The motor can be fitted laterally or axially, with a choice of 3 mounting positions in the case of axial fitting. Special software tools are available for safe configuration and quick installation.

Powerful and safe

The slide's very high basic load rating is ideal for vertical applications, such as pressing and joining. The spindle is fully covered to prevent the ingress of dust and other particles.



Versatile

Precise

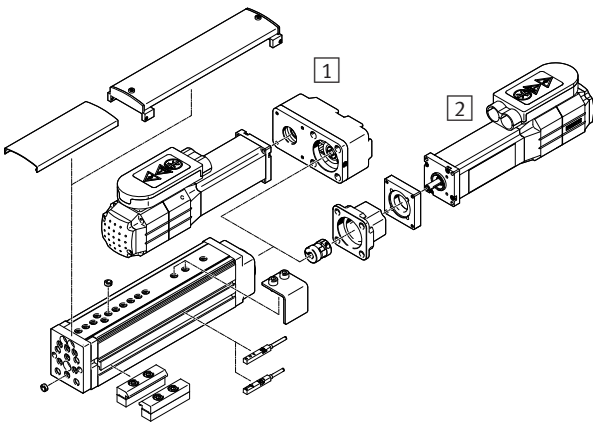
Compact

152.2.PSI

Electric mini slide EGSL

Versatile motor mounting

- 1 Lateral mounting with parallel kit
- 2 Axial mounting with a choice of 3 mounting positions



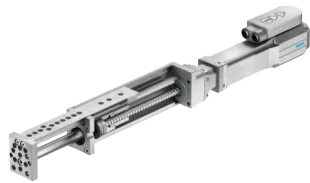
Technical data	
Size (= slide width in mm)	35
	45
	55
	75
Stroke [mm]	35: 50
	45: 100, 200
	55: 100, 200, 250
	75: 100, 200, 300
Spindle pitch [mm/revolution]	35: 8
	45: 3 and 10
	55: 5 and 12
	75: 10 and 20
Max. speed [m/s]	1
Max. acceleration [m/s ²]	25
Repetition accuracy [μm]	≤ ±15
Max. effective load [kg]	14

Space-saving pick & place with the EGSL



The electric mini slide EGSL can be easily combined with a pneumatic mini slide DGSL or an additional EGSL to create a pick & place solution.

Spindle drive of the EGSL



Precise, dynamic and load bearing positioning – the EGSL's integrated guide enables exact positioning with ±15 μm accuracy, irrespective of the maximum load and mounting position.

Safety and protection



The optional cover protects the spindle drive against contamination and the ingress of coarse parts. The sensors enable simple and reliable sensing of the slide positions.

Festo AG & Co. KG

Postfach
73726 Esslingen
Ruiter Straße 82
73734 Esslingen
Tel. +49 (0)711 347 0
Fax +49 (0)711 347 26 28
E-mail: info_de@festo.com