

Rotary/lifting module EHMB

FESTO



Combined motion

Rotary and linear motion with flexible, independent movement positioning are now combined into one unit: the EHMB. Thanks to its stable guidance and ability to be matched with a wide range of axes and motors, the rotary/lifting module EHMB can be adapted to any application in the blink of an eye.

Convenient and reliable

Installing cables and tubes for grippers and sensors is really easy, thanks to the hollow shaft with large internal diameter.

Pneumatic or electric?

The choice is yours. Whether you need a powerful pneumatic drive DNC for movement between two positions or a freely programmable electric drive DNCE, the EHMB saves a considerable amount of design and assembly time, reducing machine builders' efforts.

Dynamic or economical?

The EHMB can be used for a wide range of handling applications. The smaller size 20 is ideal for Cartesian systems with an integral Z movement, while the larger size 25 can also be used as a stationary system for loading, unloading and stacking applications. For these applications, the two axes can move independently of one another.



Combined motion

Large hollow shaft

Modular design

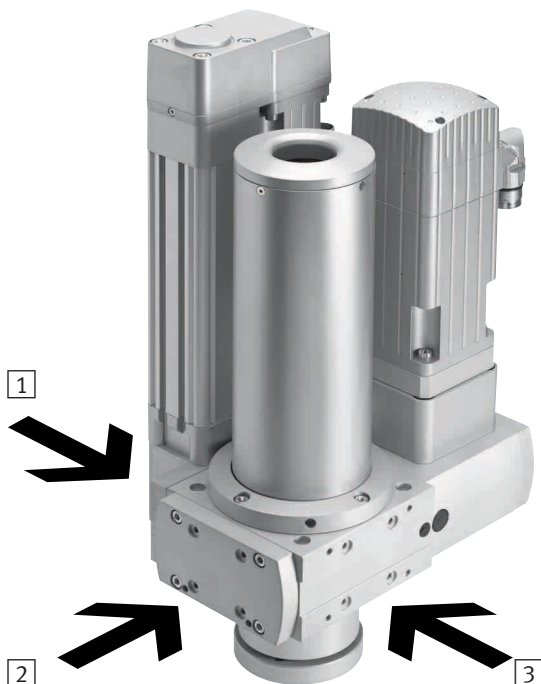
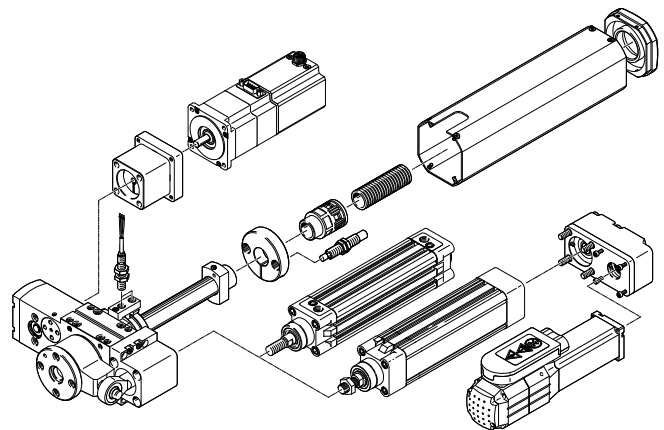
124.1.PSI →

Product Short Information

Rotary/lifting module EHMB

Highly modular

- Servo or stepper motors and intelligent motor units can be used as electric drives.
- Either an electric drive DNCE or a pneumatic drive DNC can be used for the linear axis.
- The mounting interfaces for the EHMB correspond to those used in existing pneumatic actuators (DRQD), thus providing access to a wide range of cost-effective accessories for easy mounting of grippers and attachments.



- Linear axes can be mounted on three sides of the rotary/lifting module. These can be easily adapted depending on the installation.

Technical data

Size	20	25	32	
Max. effective load [kg]		3	5	8 (*)
Max. moment of inertia [kgcm ²]		30	100	500
Max. force [N]		480	480	750
Max. stroke [mm]		200	200	200
Max. torque [Nm]		3.15	8.8	20
Hollow shaft [mm]		14	21	21

(*) vertical up to 15 kg, with symmetrical and centred effective load

Festo AG & Co. KG

Ruiter Strasse 82
73734 Esslingen
www.festo.com
Tel. +49 711 347 0
Fax +49 711 347 21 44
service_international@festo.com