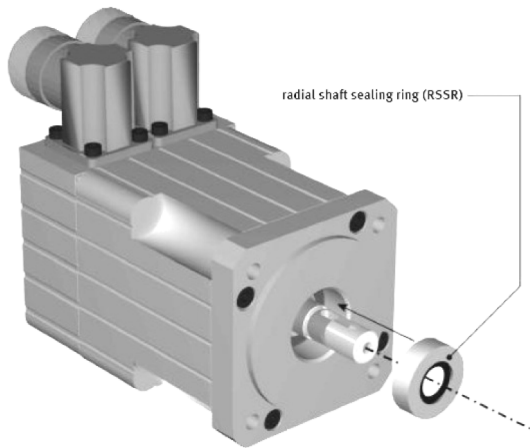


Servomotors EMM_-AS

Information: Application note on the use of radial shaft sealing rings



Illustrative example

Radial shaft sealing rings (short-form RSSRs) are friction seals. Therefore they are basically subjected to abrasive wear and generate frictional heat when in use. As a wear and tear part, RSSRs are not covered by any Guarantee or Warranty.

Abrasive wear and tear can only be reduced by adequate lubrication and cleanliness of the components and the seal. The lubricant also acts as a coolant and supports the transport of the frictional heat away from the seal.

Under normal environmental conditions, the RSSRs are greased for their lifetime. Unfavourable environmental conditions, e.g. grinding dust, metal shavings, sand, etc. may make the introduction of maintenance intervals necessary. These maintenance intervals are to be determined and defined by the respective machine manufacturer.

The seal must be kept free from dirt and foreign contaminants at all times and must not be allowed to run dry under any circumstances! If the RSSRs are run dry, the functionality and durability of the seal will be seriously impaired.

The materials used for the RSSRs are highly resistant to oils and chemicals. However, a performance and compatibility test for the particular operating conditions in a particular application is the responsibility of the respective machine manufacturer.

The incalculable interactions between the RSSR, the shaft and the external fluid / medium, as well as the particular operating conditions in the application on site, e.g.: temperature, pressure, friction magnitude, dirt, contaminants etc. makes it impossible to specify a definitive and binding lifetime for the RSSRs.