

# Position transmitter for T-slots SDAT-MHS

FESTO



## Programmable

### Highlights

- SDAT-MHS and SMAT-8M: transmitter solutions for large and small drives
- High repetition accuracy
- Programmable IO-Link/switching output
- Five sensing ranges to match the most important standard strokes.
- Sensor function and mechanical mounting harmonised with all Festo drives.

Whether it is for monitoring screwing in, riveting, ultrasonic welding, pressing or adhesive bonding processes, piston positions always need to be detected in order to ensure high repetition accuracy. Now there is an inexpensive alternative to costly positional transducers or mechanical potentiometers: the programmable SDAT-MHS for analogue feedback signals.

### Reliable and precise

The five sensing ranges of the position transmitter correspond to the most commonly used strokes of Festo cylinders. The SDAT-MHS is thus able to detect complete strokes without projecting beyond the end of the cylinders. And its sensing range doesn't fall short of the cylinder strokes either. So the good news is that the SDAT-MHS detects the full stroke length, including end positions, without the need for additional cylinder sensors.

### High performance

Analogue current output, switching output and IO-Link combined in a single unit. This means that users with just one controller can enjoy maximum flexibility in their choice of signal processing method.

### Simply economical

A simple graphical user interface allows up to 4 channels to be programmed in IO-Link mode, either as a cylinder sensor or a window or hysteresis comparator. This means that almost all applications can be controlled without having to program the analogue output of a PLC.

# Position transmitter for T-slots SDAT-MHS

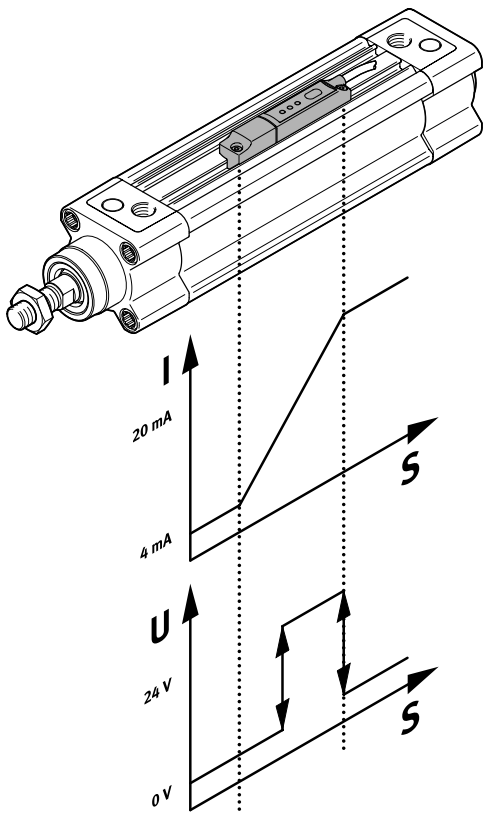
## Main applications

### Process monitoring

- Sheet metal production
- Screwing in
- Riveting
- Ultrasonic welding
- Wear
- Pressing
- Clamping

### Object sensing

- Position/orientation detection
- Good/bad selection
- Product changeover



So that everything fits:  
Five sizes for the sensing ranges of the most important standard strokes.

## Technical data

SDAT-MHS	
Sensing ranges	50, 80, 100, 125, 160 mm
Mounting	Inserted in the slot from above
Analogue output	0 ... 20 mA
IO-Link/switching output	Operation either as IO-Link or switching output. Programmable in both cases: <ul style="list-style-type: none"> <li>• Window comparator</li> <li>• Cylinder sensors</li> <li>• Hysteresis comparator</li> <li>• NO/NC</li> </ul>
Resolution	0.05 mm
Repetition accuracy	0.1 mm
Linearity error	Typically 0.25 mm
Protection classes	IP65, IP68
Port	30 cm cable with M8 plug

## Festo AG & Co. KG

P.O. Box  
73726 Esslingen  
Ruiter Str. 82  
73734 Esslingen, Germany  
Tel. +49 (0)711 347 0  
Fax +49 (0)711 347 26 28  
E-mail: [info\\_de@festo.com](mailto:info_de@festo.com)  
[www.festo.com](http://www.festo.com)