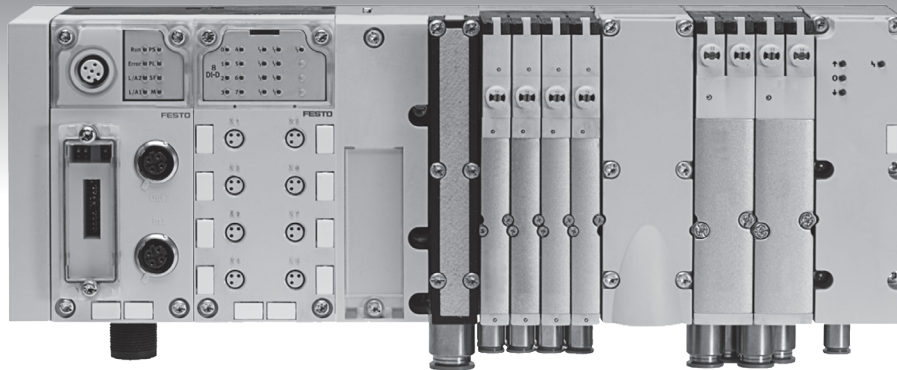


CPX Terminal EtherNet/IP Bus Node CPX-FB36

FESTO



High Performance Function Integration for EtherNet/IP

EtherNet/IP connection for solenoid valves, proportional pressure regulation and analog/digital I/O.

The CPX-FB36 EtherNet/IP connection node benefits your advanced automation application in the following ways.

- Faster throughput with 1ms RPI (Requested Packet Interval).
- Increased uptime thanks to DLR (Device Level Ring) support.
- Tool changer support with QuickConnect.
- Support for line and ring topology thanks to integrated switch.

Rapid troubleshooting and downtime avoidance is supported by:

- Diagnostic information reported by LEDs, Handheld MMI, Status bits, browser interface or Festo FMT software.
- Protection from and reporting of reverse polarity/under voltage, short circuit, broken wire/open coil and parameter limit errors.



CPX-FB36. PSI.US

Product Short Information

CPX Terminal

EtherNet/IP Bus Node CPX-FB36

Technical Data

Type	CPX-FB36
Degree of protection	IP 65/67
Display	Visual display of system diagnostics and network status via 8 diagnostic LEDs
Operator controls	DIL switches: Settings for device type, system diagnostics and IP addresses
Interfaces/connections	<ul style="list-style-type: none"> • Connection for CPX-MMI • Integrated three port switch with 2xM12 D-coded connector system: • Transmission rates to 10/100 Mbits/s • Integrated switch supports Device Level Ring (DLR)
EtherNet	Industrial Ethernet protocol: Ethernet/IP
IP addressing	Allocation of IP address via: <ul style="list-style-type: none"> • DIL switches • DHCP/BootP protocol • CPX-MMI • Software tools
IT services	<ul style="list-style-type: none"> • Web server for remote maintenance • Remote diagnostics and visualization of process data (integrated website) • E-mail alarm • DHCP (automatic IP address allocation)
System expansion	<ul style="list-style-type: none"> • Function as remote I/O or remote controller via EtherNet/IP • Supports full expansion of complete CPX periphery

Main Applications:

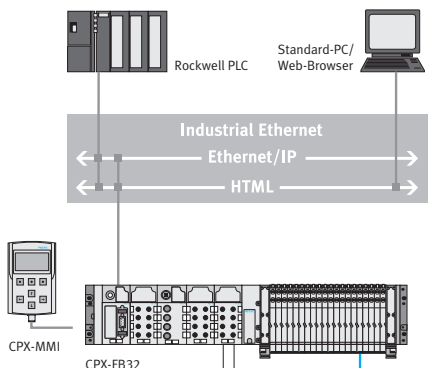
Production and process automation with high diagnostic requirements from the operational and master controller level down to the field level.



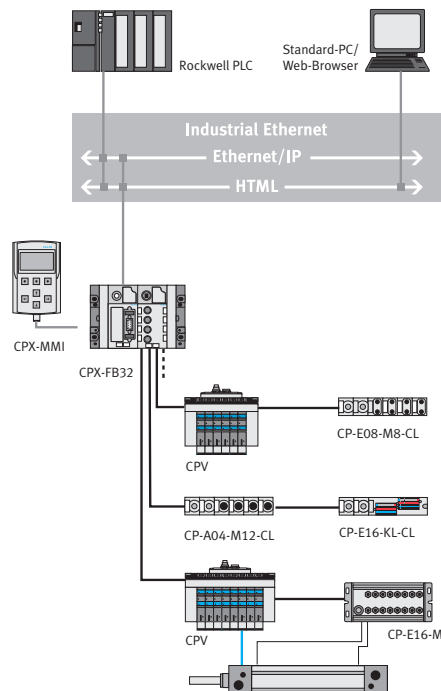
EtherNet/IP mode CPX-FB36

Control Architecture

Modular Valve Terminal – MPA Valves



Distributed Valve Terminal – CPV Valves



More communication via EtherNet/IP node CPX-FB36

In contrast to the other protocols used in the world of Rockwell Automation, namely ControlNet and DeviceNet, EtherNet/IP allows not only I/O communication but also a wide range of IT functions such as:

- Status and device data accessible at any desired point within a network
- E-mail alarms
- Visualization via web browser

Festo Corporation

Commercial support:

Call: 1.800.99.FESTO (1.800.993.3786)

Fax: 1.800.96.FESTO (1.800.963.3786)

Email: customer.service@us.festo.com

Visit: www.festo.com/us

Technical support:

Call: 1.866.GO.FESTO (1.866.463.3786)

Fax: 1.800.96.FESTO (1.800.963.3786)

Email: product.support@us.festo.com