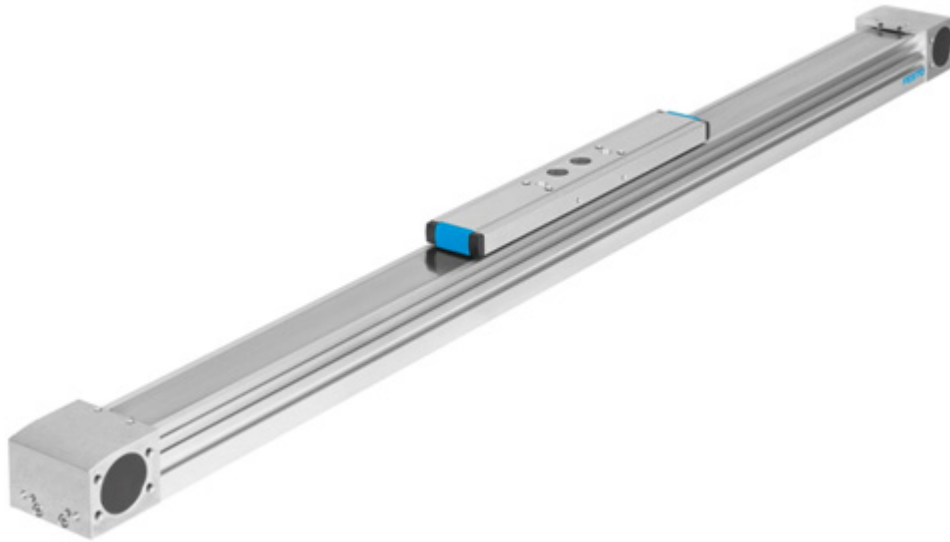


Dynamic Electric Actuator

FESTO



ELGA-TB-RF

Highlights

- High speeds
- Smooth motions
- Well-suited for dynamic, long-stroke applications
- Extended service life
- Protected from dirt
- Flexible mounting options

The ELGA-TB-RF embodies the key features of a dynamic electric actuator: high speeds, smooth motions, and aggressive accelerations. All made possible by the high-performance toothed-belt and roller bearing guides.

Long-Stroke Actuator

The ELGA-TB-RF is available in standard stroke lengths from 50 mm up to 7.4 m, making it well-suited for long-stroke applications.

Extended Service Life

The ELGA-TB-RF is designed to last. Operated at maximum catalog values, the roller bearing guides are rated for an impressive 10,000 km of service life.

Applications

As a dynamic, long-stroke actuator, the ELGA-TB-RF is well-suited for a wide variety of applications, including end-of-line packaging, solar panel assembly, and press transfer applications, to name a few.

Plain Bearing Guide

For long-stroke applications with minimal moment-handling requirements, the ELGA-TB-G is available with a plain bearing guide. Stroke lengths from 50 mm up to 8.5 m, and speeds up to 5 m/s are possible.

Dynamic Electric Actuator

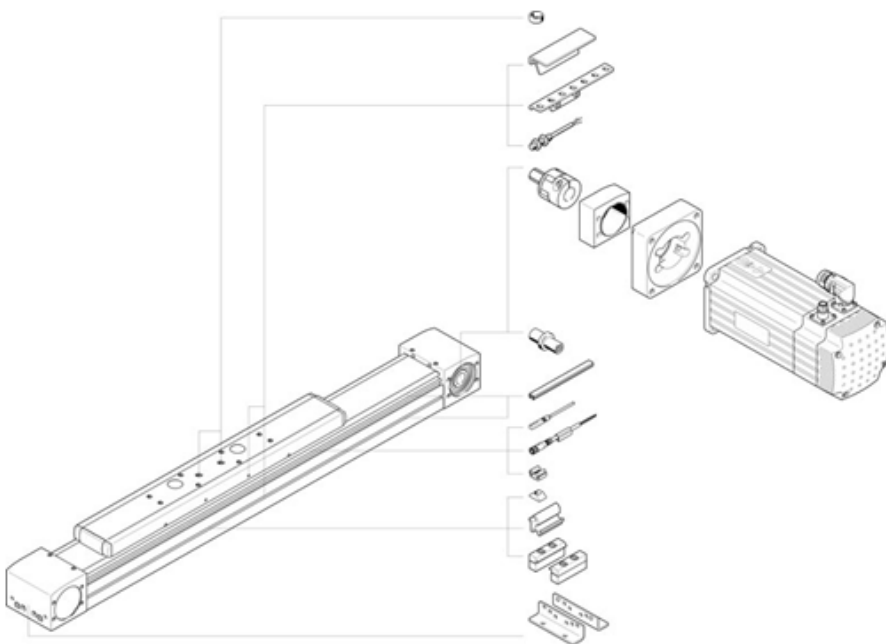
Technical Data ELGA-TB-RF	
Sizes	70, 80, 120 mm
Stroke Ranges	50...7,400 mm
Maximum Speed	10 m/s
Maximum Acceleration	50 m/s ²
Maximum Feed Force	1,300 N
Repeatability	± 0.08 mm

Technical Data ELGA-TB-G (same as -RF, except as specified)	
Stroke Range	50...8,500 mm
Maximum Speed	5 m/s



Protected: The stainless steel cover strip keeps dirt away from the toothed-belt and guiding, ensuring a long service life.

Flexible Motor Mounting: Conveniently mount the motor at any of the four corners of the actuator. No need to specify the mounting location when ordering. The motor is mounted quickly and easily using a backlash-free coupling.



Festo Corporation

395 Moreland Road
Hauppauge, NY 11788

Call: (800) 993 3786
Fax: (800) 963 3786
customer.service@us.festo.com

www.festo.us