

Pneumatic control valves VFOF/VBNF/VBQF

FESTO



A space saver

Highlights

- 3 functions in one component: saves, time, money and installation space
- Over 50% saving on space – with no loss of performance
- Energy-efficient thanks to fewer interfaces
- Easy to operate and install
- Universal applications

Extremely innovative is one way of describing the new compact control valves from Festo for pneumatic drive solutions. Thanks to their improved design and the integration of several control functions in one component you can save valuable installation space. And gain more time and reliability during commissioning.

Design with several advantages

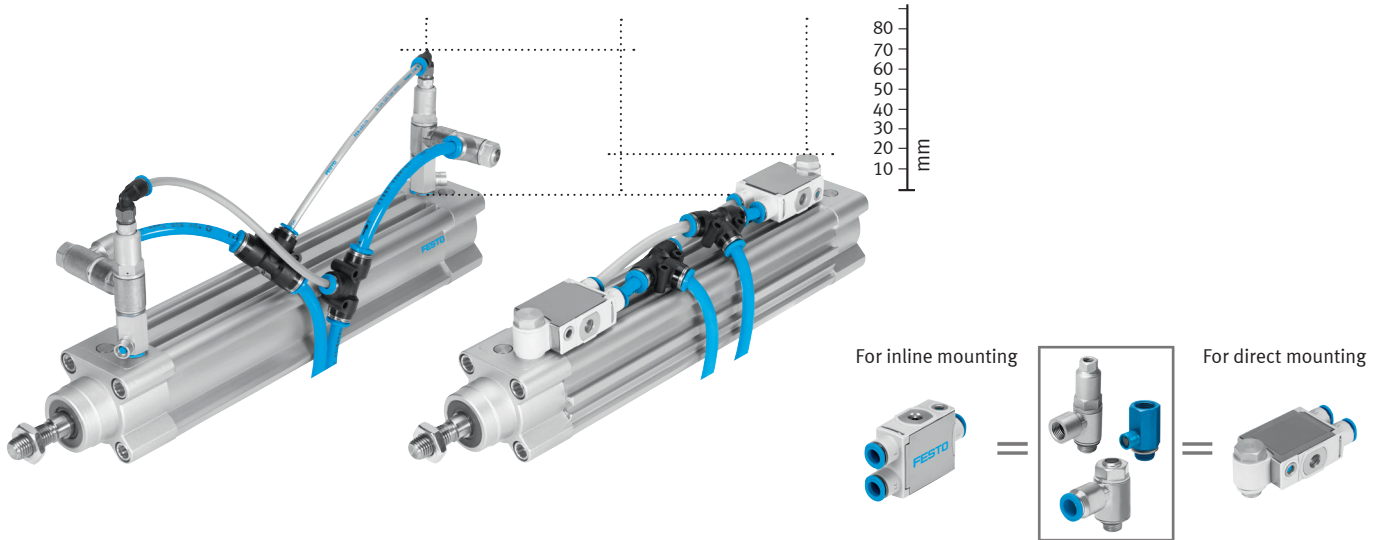
- Over 50% saving on space: mounted directly on or very close to the drive
- Easy to operate: setting with standard tool, choice of actuating directions
- Quick and reliable mounting
- Save time and money with up to 3 functions in one component
- Savings through easier purchasing and fewer components to be stocked
- Energy- and environmentally-friendly, thanks to lower compressed air losses and lower noise emissions

The control functions:

- Quick exhaust valve VBQF with or without silencer for faster drive cycle times
- One-way flow control valve VFOF for variable piston speeds
- Function integration 1 – Non-return flow control valve VBNF, pneumatically controlled, for short intermediate stops of cylinder motions. Plus: individual manual exhaust of cylinder chambers, e.g. for servicing
- Function integration 2 – VFOF-LE-BAH integrates all three functions: variable piston speeds, short intermediate stop and individual manual exhaust

Pneumatic control valves VFOF/VBNF/VBQF

Instant added value: save installation space, time and money!



50% saving on space: on the left a conventional version, on the right the new space-saving and extra-safe VFOF-LE-BAH solution.

Three functions in one one-way flow control valve: total function integration!

Technical data*

Symbol					
Valve function	VFOF One-way flow control valve (for exhaust air), additional valve functions on request	VBNF Non-return valve (pneumatically controlled) with manual exhaust function	VFOF-LE-BAH One-way flow control valve for exhaust air (pneumatically controlled) with manual exhaust function	VBQF-U Quick exhaust valve (with silencer)	VBQF-D Quick exhaust valve (without silencer)
Adjusting component/flow control valve	Internal hex	–	Internal hex		
Actuator/exhaust valve	–	Manual	Manual	–	–
Standard nominal flow rate q _{nN} 6 → 5 bar in flow control direction in non-return direction [l/min]	650 300 ... 650	470	500 430 ... 480	–	–
Standard nominal flow rate in direction of air supply [l/min.]	–	–	–	0 ... 960	0 ... 960
Standard nominal flow rate in direction of exhaust [l/min]	–	–	–	0 ... 2500	0 ... 1500
Operating medium	Dried air, lubricated or unlubricated				
Operating pressure [bar]	0.2 ... 10	0.2 ... 10	0.2 ... 10	0.2 ... 10	0.2 ... 10
Pilot pressure [bar]	–	2 ... 10	2 ... 10	–	–
Noise level [db (A)]	–	–	–	75	–
Ambient temperature [°C]	-10 ... 60				

* Technical data based on size G1/4. The available range also has variants 1/8. QS4 and QS6 for inline mounting on request.