

Electric rotary drive ERMO

FESTO



Uncompromising rotation

Highlights

Robust and precise

- Absorption of high lateral forces
- Backlash-free ball bearing

Easy

- 1 order code for product selection and configuration
- Optimised, fixed combination of drive and motor

Fast

- Configuration of motion and positioning via Web-Config

Low-cost

- Quick and easy operation and commissioning
- Best price/performance ratio

The rotary drive ERMO is the ideal complete solution for rotating and aligning parts and workpieces or for swivelling tasks subjected to heavy loads. The solution package is also suitable for simple rotary indexing table applications such as at manual workstations. The flexibility of the ERMO and its diverse range of possible uses make it ideal for simpler applications requiring cost-effective solutions – with a long service life of more than 5 million cycles.

Best performance

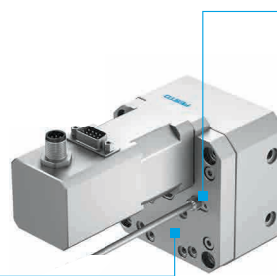
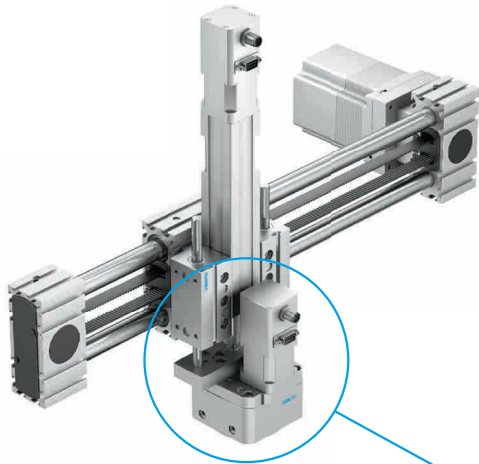
The electric rotary drive with stepper motor and integrated gear unit boasts an impressively robust rotating plate bearing. It is preloaded and therefore backlash free, has excellent axial and radial run-out properties and is specially designed for absorbing high forces and torques. Closed-loop operation with an encoder is available as an option.

Optimised Motion Series

Low-cost with optimised performance. A package that makes moving and positioning easier than ever before. It comprises a mechanical system with permanently mounted motor and drive system (motor controller) with integrated web browser technology and matching connecting cables. Another major plus: you can configure, order and commission using just 1 type code.

Electric rotary drive ERMO

Powerful rotating and swivelling under high load



- Reference sensor**
- For multi-turn applications
 - Integrated
 - M8 connection

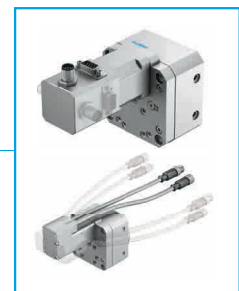
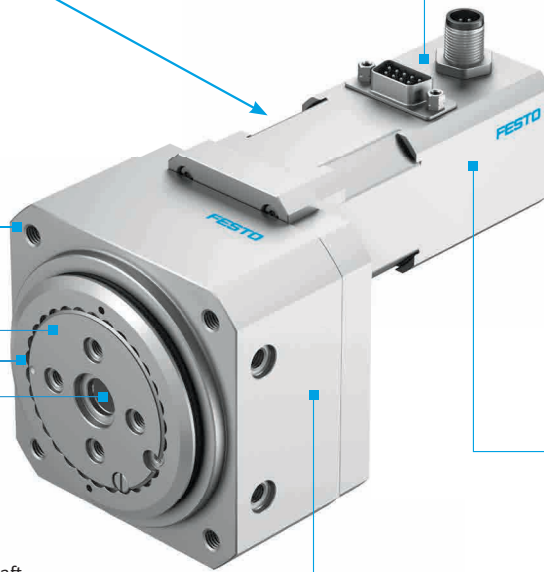
- Mounting interface**
- For connecting to other drives, e.g.
- Electric cylinder EPCO, on the guide unit
 - Electric slide EGSL



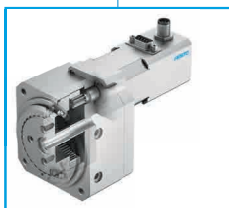
- Cables for power supply (load) and encoder**
- Pre-assembled, up to 10 m long
 - Suitable for energy chains
 - Connection technology and motor with IP54 protection

- Mechanical interfaces**
- On flange and housing as with the pneumatic semi-rotary drive DSM/DSM-HD

- Swivel angle limitation**
- Adjustable swivel angle up to max. 270°
 - External mounting kit



- Motor positions**
- Motor can be mounted turned by 3 x 90° at each position
 - Can be changed at any time



- Through-feed**
- Sealed hollow shaft
 - For power or sensor cables
 - For tubing
- Robust and precise bearing**
- Backlash-free ball bearing
 - Absorption of high lateral forces

- CleanLook with smooth surfaces**
- Less susceptible to contamination

Technical data

Size	12	16	25	32
Flange size [mm]	58x58	68x68	83x83	105x105
Torque [Nm]	0.15	0.8	2.5	5
Max. mass moment of inertia [kg·cm ²]	3	13	65	164
Speed [°/s]	600	600	400	300
Repetition accuracy [°]	±0.05	±0.05	±0.05	±0.1
Max. axial torque [N]	500	600	700	800
Max. radial torque [N]	500	750	1200	2000

www.festo.com