

# Flow sensor SFAW

FESTO



## Monitor liquid media

### Highlights

- Connection concept with unique flexibility
- Easy sensor replacement
- IO-Link 1.1
- A great view: the display can be rotated 340°
- Once fitted, the sensor housing can be rotated 360°.
- Easy to use, even with your own media connections
- Easy-to-read, three-colour display

**Ideal for monitoring cooling circuits, for example in welding guns in the automotive industry or in front-end applications in the semiconductor and electronics industries. The new flow sensor SFAW measures the flow rate, consumption and temperature of liquid media within the ranges of 1.8 ... 32 l/min and 5 ... 100 l/min.**

### A great view in every position

Whether installed horizontally or vertically, the sensor housing and display can be easily rotated and aligned – even after they have been fitted!

### Sensor and connections can be purchased separately

The modular concept enables the sensor and connections to be purchased separately, ensuring maximum flexibility during assembly. It also allows you to use your own standardised parts without any problem. The sensor can be changed quickly and easily without the need for tools.

### Easy to use

Thanks to a large, easy-to-read, blue/white/red LCD display, you can see immediately whether the flow rate is OK. What's more, it can be commissioned quickly by means of teach-in or using the clear 3-button menu function.

### Sturdy design

The IP65 design enables it to be used in harsh environments.

 IO-Link

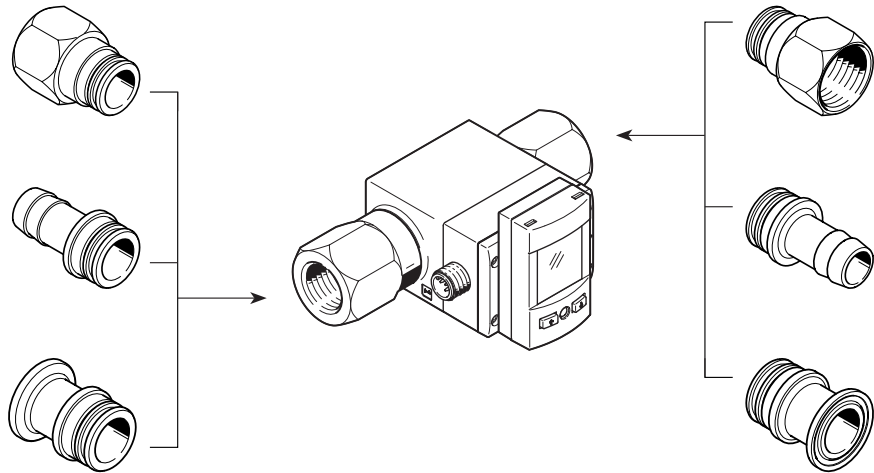
# Flow sensor SFAW

## Extremely modular design

The modular electrical output concept makes the SFAW extremely flexible and open, allowing simple integration into various control systems.

Electrical outputs:

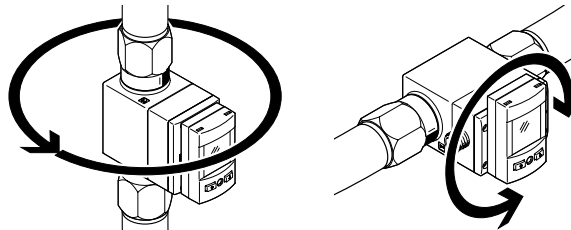
- Output 1: PNP/NPN (switchable) or IO-Link in conjunction with IO-Link master
- Output 2: PNP/NPN/0 ... 10 V/1 ... 5 V/4 ... 20 mA (switchable)



Modular mechanical connection concept: anything is possible, from a screw connector or female hose connector to a clamp connection.

## Rotatable sensor housing and display

The housing can be turned 360°, and the display 340°, so that the sensor is quick and easy to align and making the display easy to read.



### Technical data

Measured variables	Flow rate Consumption Temperature
Direction of flow	Unidirectional
Method of measurement	Vortex for flow rate PT1000 for temperature
Flow measuring range [l/min]	1.8 ... 32 5 ... 100
Operating pressure [bar]	0 ... 12
Operating medium	Media with a kinematic viscosity ≤ 1.8 mm <sup>2</sup> /sec. [cSt]
Temperature of medium [°C]	0 ... 90
Accuracy Flow rate value	±2% FS for flow rate ≤ 50% FS ±3% o.m.v. for flow rate ≥ 50% FS
Repetition accuracy Flow rate value	< ±0.3%FS for flow rate ≤ 50% FS < ±0.5% o.m.v. for flow rate ≥ 50% FS
Operating voltage	24 V ±10%
Electrical connection	Straight plug connector M12x1, A-coded, 5-pin