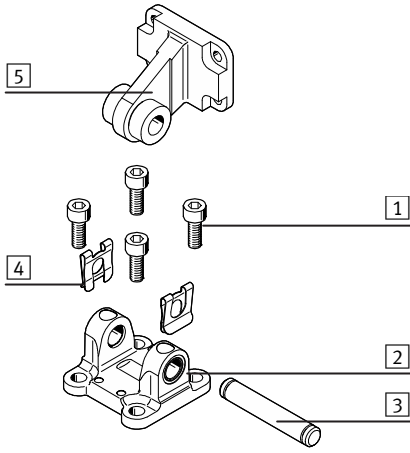


1. Teileliste

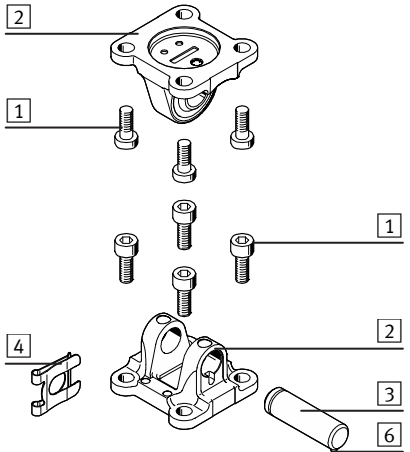
Zur Kombination von **2** - **5**



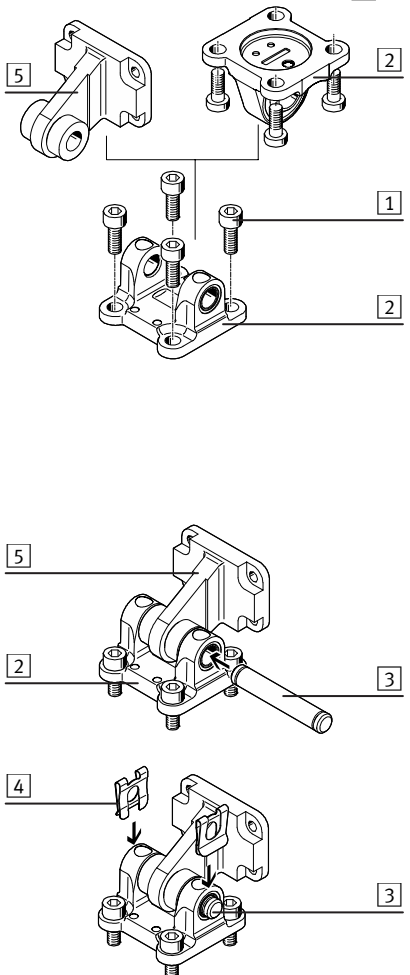
- 1** Zylinderschrauben
DIN 912 / DIN 6912 (4x)
- 2** Schwenkflansch
SNC...-... (1x)
- 3** Bolzen
(1x)
- 4** Sicherungselement
(1x/2x)
- 5** Lagerbock
LBG/LNG/LSN...
- 6** Verdrehsicherungsstift

Nicht im Lieferumfang:

Zur Kombination von **2** - **2**



2. Montage des Schwenkflansches **2**



- Befestigen Sie den Schwenkflansch **2** am passenden Zylinder mit Lochbild nach VDMA 24562 bzw. DIN ISO 15552.
- Beachten Sie das max. zulässige Anzugsdrehmoment der Schrauben **1** (siehe Abschnitt 3).
- Platzieren Sie den Lagerbock **5** (bzw. den Schwenkflansch **2**) am Schwenkflansch **2**, bis die Lagerbohrungen fluchten.
- Schieben Sie den Bolzen **3** in die Lagerbohrung. Beachten Sie dabei ggf. den Verdrehsicherungsstift **6**.

Zum Fixieren des Bolzens **3**:

- Schieben Sie die beigelegten Sicherungselemente **4** in die dafür vorgesehenen Nuten.

Montageanleitung (de)
692 618 / 2005-12NH

FESTO

Festo AG & Co. KG

Postfach
73726 Esslingen
++49/(0)711/347-0
www.festo.com

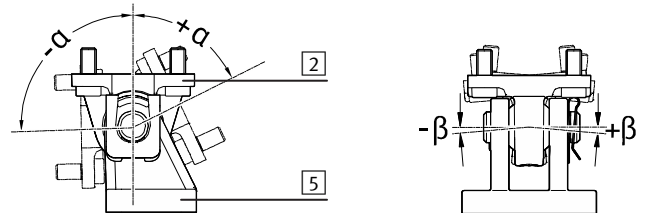
Schwenkflansch SNC...-32 bis 125

3. Anzugsdrehmomente der Schrauben **1**

| Größe | Gewinde | Drehmoment |
|-------|---------|------------|
| 32 | M6 | 4 Nm |
| 40 | M6 | 5 Nm |
| 50 | M8 | 8 Nm |
| 63 | M8 | 8 Nm |
| 80 | M10 | 10 Nm |
| 100 | M10 | 10 Nm |
| 125 | M12 | 24 Nm |

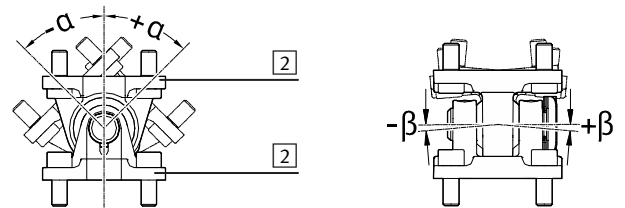
4. Mögliche Schwenkwinkel α bzw. Kippwinkel β

Zur Kombination von **2** - **5**



| Größe | SNCS... + LBG... | | SNCB... + LNG... | SNCB... + LSN... | |
|-------|----------------------|-----------------------|----------------------|----------------------|-----------------------|
| | $\alpha \pm 1^\circ$ | $\beta \pm 0,5^\circ$ | $\alpha \pm 1^\circ$ | $\alpha \pm 1^\circ$ | $\beta \pm 0,5^\circ$ |
| 32 | -91°/+65° | $\pm 5^\circ$ | -110°/+70° | -106°/+62° | $\pm 4^\circ$ |
| 40 | -92°/+67° | $\pm 5^\circ$ | -108°/+72° | -112°/+65° | $\pm 4^\circ$ |
| 50 | -92°/+64° | $\pm 5,5^\circ$ | -111°/+66° | -108°/+60° | $\pm 4^\circ$ |
| 63 | -99°/+74° | $\pm 5,5^\circ$ | -109°/+78° | -108°/+65° | $\pm 4^\circ$ |
| 80 | -97°/+71° | $\pm 5,5^\circ$ | -108°/+68° | -111°/+60° | $\pm 4^\circ$ |
| 100 | -101°/+69° | $\pm 5^\circ$ | -108°/+68° | -107°/+61° | $\pm 4^\circ$ |
| 125 | -96°/+60° | $\pm 6,5^\circ$ | -110°/+61° | -109°/+42° | $\pm 4^\circ$ |

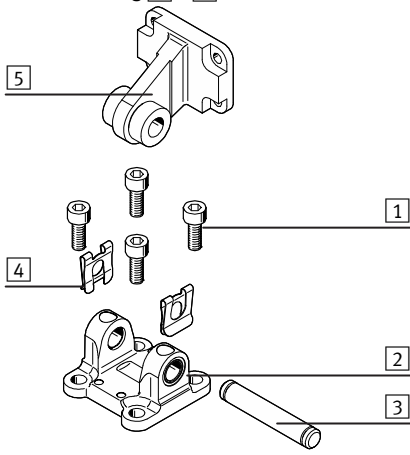
Zur Kombination von **2** - **2**



| Größe | SNCS... + SNC... | | SNCB... + SNCL... |
|-------|----------------------|-----------------------|----------------------|
| | $\alpha \pm 1^\circ$ | $\beta \pm 0,5^\circ$ | $\alpha \pm 1^\circ$ |
| 32 | $\pm 55^\circ$ | $\pm 5^\circ$ | $\pm 47^\circ$ |
| 40 | $\pm 56^\circ$ | $\pm 5^\circ$ | $\pm 58^\circ$ |
| 50 | $\pm 46^\circ$ | $\pm 5^\circ$ | $\pm 45^\circ$ |
| 63 | $\pm 52^\circ$ | $\pm 5^\circ$ | $\pm 58^\circ$ |
| 80 | $\pm 43^\circ$ | $\pm 5^\circ$ | $\pm 38^\circ$ |
| 100 | $\pm 42^\circ$ | $\pm 4,5^\circ$ | $\pm 43^\circ$ |
| 125 | $\pm 44^\circ$ | $\pm 6^\circ$ | $\pm 46^\circ$ |

1. Parts list

For combining **2** - **5**

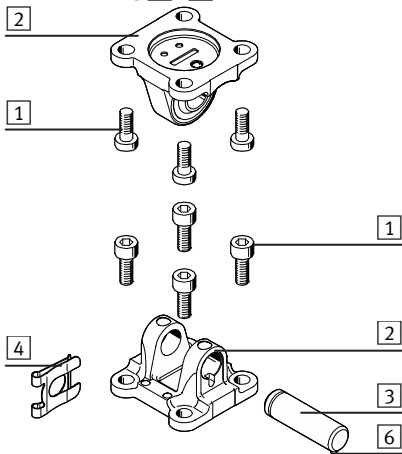


- 1** Socket head screws
DIN 912 / DIN 6912 (4x)
- 2** Swivel flange
SNC...-... (1x)
- 3** Bolt
(1x)
- 4** Retaining element
(1x/2x)

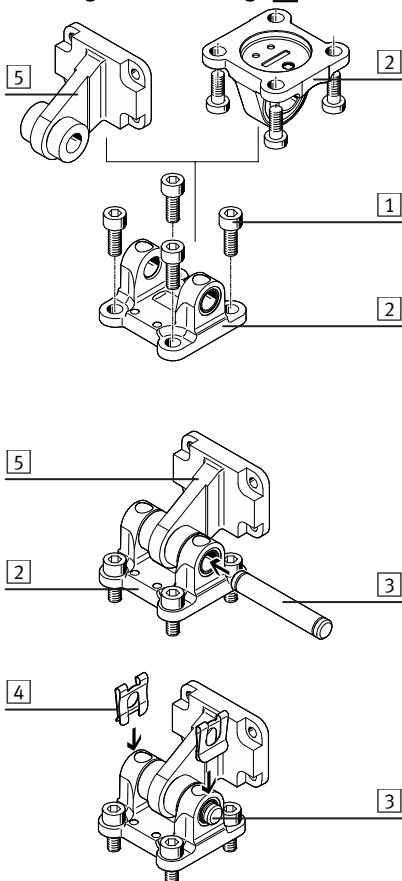
Not included in delivery:

- 5** Clevis foot mounting
LBG/LNG/LSN...
- 6** Protection pin against
rotation

For combining **2** - **2**



2. Fitting the swivel flange **2**



- Fasten the swivel flange **2** on the appropriate cylinder with hole pattern as per VDMA 24562 or DIN ISO 15552.
- Note the permitted tightening torque of screws **1** (see section 3).
- Place the clevis foot mounting **5** (or the swivel flange **2**) on the swivel flange **2** until the bearing holes are flush.
- Push the bolt **3** into the bearing hole. Note here if applicable the protection pin against rotation **6**.

For fixing the bolt **3**:

- Push the retaining elements **4** supplied into the grooves intended for this purpose.

Assembly instructions (en)
692 618 / 2005-12NH

FESTO

Festo AG & Co. KG

Postfach
73726 Esslingen
++49/(0)711/347-0
www.festo.com

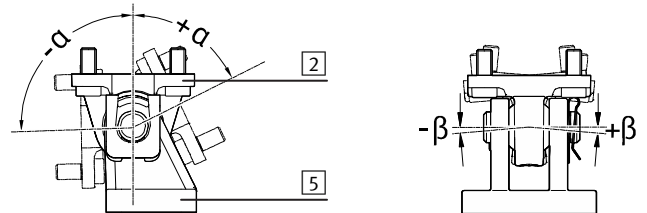
Swivel flange SNC...-32 to 125

3. Tightening torques of screws **1**

| Size | Threads | Torque |
|------|---------|--------|
| 32 | M6 | 4 Nm |
| 40 | M6 | 5 Nm |
| 50 | M8 | 8 Nm |
| 63 | M8 | 8 Nm |
| 80 | M10 | 10 Nm |
| 100 | M10 | 10 Nm |
| 125 | M12 | 24 Nm |

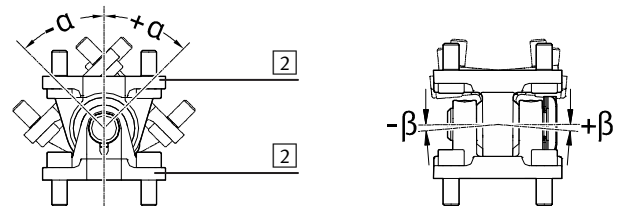
4. Possible swivel angle α or tipping angle β

For combining **2** - **5**



| Size | SNCS... + LBG... | | SNCB... + LNG... | SNCB... + LSN... | |
|------|------------------------|-----------------------|------------------------|------------------------|-----------------------|
| | $\alpha \pm 1^\circ$ | $\beta \pm 0.5^\circ$ | $\alpha \pm 1^\circ$ | $\alpha \pm 1^\circ$ | $\beta \pm 0.5^\circ$ |
| 32 | $-91^\circ/+65^\circ$ | $\pm 5^\circ$ | $-110^\circ/+70^\circ$ | $-106^\circ/+62^\circ$ | $\pm 4^\circ$ |
| 40 | $-92^\circ/+67^\circ$ | $\pm 5^\circ$ | $-108^\circ/+72^\circ$ | $-112^\circ/+65^\circ$ | $\pm 4^\circ$ |
| 50 | $-92^\circ/+64^\circ$ | $\pm 5.5^\circ$ | $-111^\circ/+66^\circ$ | $-108^\circ/+60^\circ$ | $\pm 4^\circ$ |
| 63 | $-99^\circ/+74^\circ$ | $\pm 5.5^\circ$ | $-109^\circ/+78^\circ$ | $-108^\circ/+65^\circ$ | $\pm 4^\circ$ |
| 80 | $-97^\circ/+71^\circ$ | $\pm 5.5^\circ$ | $-108^\circ/+68^\circ$ | $-111^\circ/+60^\circ$ | $\pm 4^\circ$ |
| 100 | $-101^\circ/+69^\circ$ | $\pm 5^\circ$ | $-108^\circ/+68^\circ$ | $-107^\circ/+61^\circ$ | $\pm 4^\circ$ |
| 125 | $-96^\circ/+60^\circ$ | $\pm 6.5^\circ$ | $-110^\circ/+61^\circ$ | $-109^\circ/+42^\circ$ | $\pm 4^\circ$ |

For combining **2** - **2**



| Size | SNCS... + SNC... | | SNCB... + SNCL... |
|------|----------------------|-----------------------|----------------------|
| | $\alpha \pm 1^\circ$ | $\beta \pm 0.5^\circ$ | $\alpha \pm 1^\circ$ |
| 32 | $\pm 55^\circ$ | $\pm 5^\circ$ | $\pm 47^\circ$ |
| 40 | $\pm 56^\circ$ | $\pm 5^\circ$ | $\pm 58^\circ$ |
| 50 | $\pm 46^\circ$ | $\pm 5^\circ$ | $\pm 45^\circ$ |
| 63 | $\pm 52^\circ$ | $\pm 5^\circ$ | $\pm 58^\circ$ |
| 80 | $\pm 43^\circ$ | $\pm 5^\circ$ | $\pm 38^\circ$ |
| 100 | $\pm 42^\circ$ | $\pm 4.5^\circ$ | $\pm 43^\circ$ |
| 125 | $\pm 44^\circ$ | $\pm 6^\circ$ | $\pm 46^\circ$ |