

- Pneumatic and electric components pre-assembled to create a function unit
- Can be combined from around 30,000 catalogue components
- Connections included
- For integration in machines

The product range from Festo comprises about 30,000 individual components, which can be pre-assembled to form a functional module. Accessories such as fittings and connections can also be assembled on the unit. The assembly can

thus be installed directly in the system or in the higher-level system as a ready-to-install subsystem.

An assembly can be made up of a wide range of components. Typical combinations include:

- Cylinder/valve combinations
  - Components for compressed air preparation combined with valves
  - Valve blocks
- Third-party components can be integrated and the assembly can be mounted on a plate as required.

A complete functional test of the entire unit is carried out after completion. The assembly is supplied ready-to-install.

#### Technical data

- Combination of various pneumatic and/or electrical components to create a single unit
- For a wide range of industrial applications
- Application-specific combination of components
- Optional: accessories mounted on sub-assemblies
- Use of the latest innovations and technologies

- Ready-to-install: all the steps from engineering through to assembly and right up to quality inspection are carried out by Festo specialists
- Fully tested, with test certificate
- Complete documentation

- Design conforms to:
  - EN 60204-1
  - ATEX zone 1 and 21 (pneumatic only), ATEX zone 2 and 22 (electric and electropneumatic)
  - UL-508A
- Implementation of safety functions

#### Ready-to-install – the benefits to you

##### Ordering

Just one order number for the entire solution.

##### Production and assembly

The entire production and assembly process, including wiring and connection, is taken care of for you. Connections to the system can be pre-installed on the assembly if required.

##### Checking and testing

The assembly is fully tested.

##### Documentation

You receive detailed system documentation, which you can quickly and easily integrate into your overall documentation:

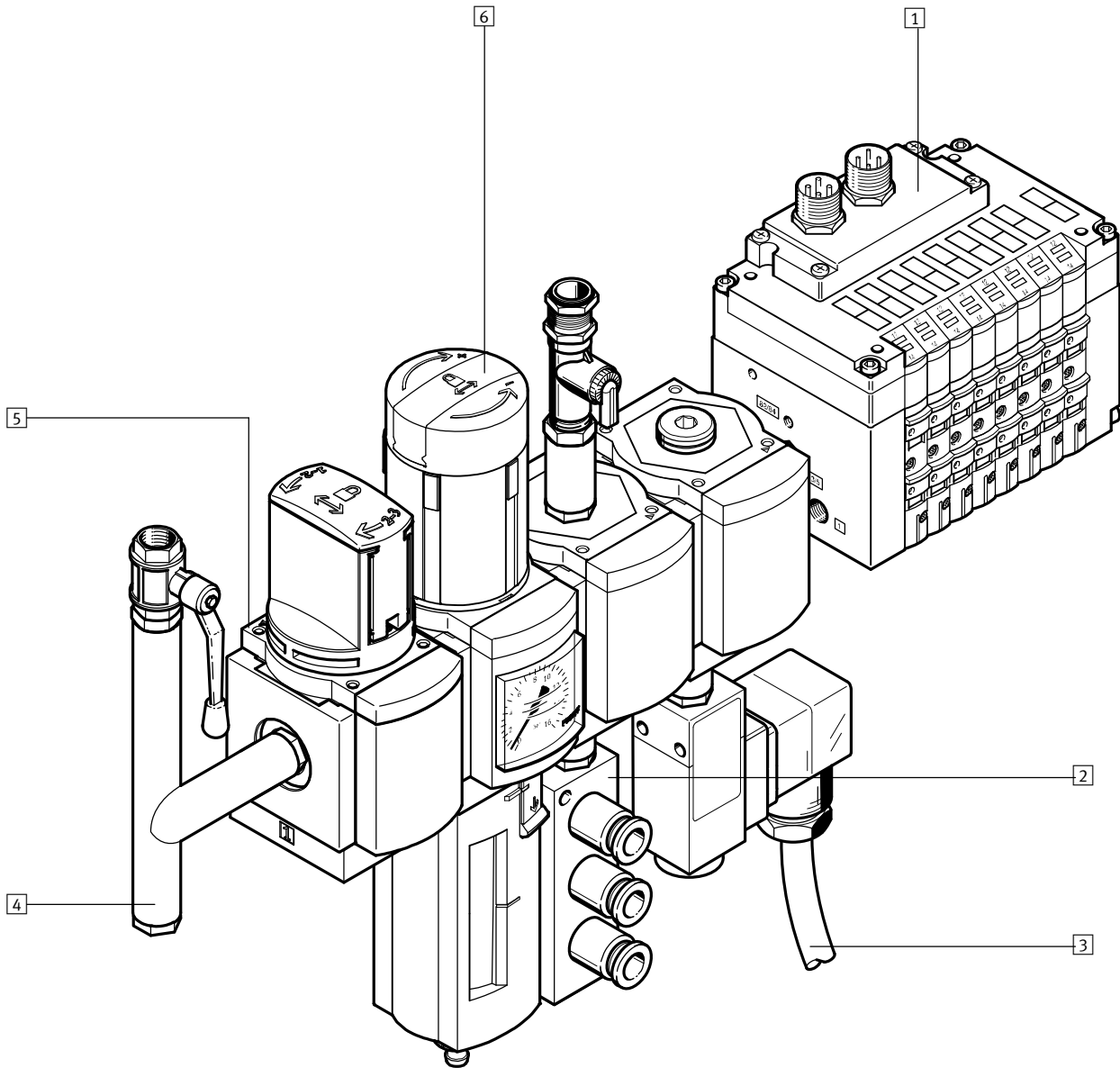
- Assembly drawing
- Parts list
- Circuit diagrams
- Operating instructions for components

Interested in assemblies?

Ask your Festo sales engineer, who will be happy to help.

Or visit your local website at [www.festo.com](http://www.festo.com),

where you will find further information on ready-to-install solutions.



- 1** Valves and valve terminals
- 2** Other pneumatic components
  - Cylinders
  - Pressure regulators
  - Pressure gauges
  - Third-party components
  - Connections
  - Sensors
  - Servopneumatics
  - etc.

- 3** Tubing, wiring and piping
  - Number of wires
  - Cross section
  - Cable harness/individual cables
  - Cable inscription

- 4** Outputs
  - Pneumatic
  - Electrical
  - Multi-pin interfaces
- 5** Mounting options
  - For mounting in the system

- 6** Compressed air preparation
  - MS series
  - D series
  - Customised configuration of modules