

- Integration of various pneumatic functions in one component
- No need for individual housings
- Ideal for applications that require a highly compact design

Cartridge solutions integrate one or more pneumatic functions in a closed unit. There is no need for individual housings, as the "insides" of the parts are housed in the component itself. Festo cartridge solutions are used

wherever an extremely compact design and component protection are required – with just a small number of pneumatic functions. Functionality provided by standard technology, such as directional control valves

or flow control valves, is fully integrated into the housing, thus reducing the required installation space. The housing has a customised design based on specific application requirements, which means that the cartridge

solution can be attached or installed just about anywhere on the machine.

Technical data

- Space-saving thanks to extremely compact design
- Pneumatic functions integrated in a single compact housing, e.g.
 - Directional control valves
 - Flow control valves
 - Non-return valves
 - Vacuum generators
 - Pressure regulators
 - Pneumatic logic functions

- Housing available in different materials
- No tubing required
- Minimal cabling required
- Significant design freedom
- Variable integration options on and within the machine
- Sturdy design thanks to protected installed parts and smooth surfaces

- Fully tested
- Ready-to-install
- Complete documentation

Ready-to-install – the benefits to you

Engineering

Complete engineering solution according to your application-specific requirements by Festo specialists.

Production and assembly

The entire production and assembly process is taken care of for you.

Documentation

You receive detailed system documentation, which you can quickly and easily integrate into your overall documentation:

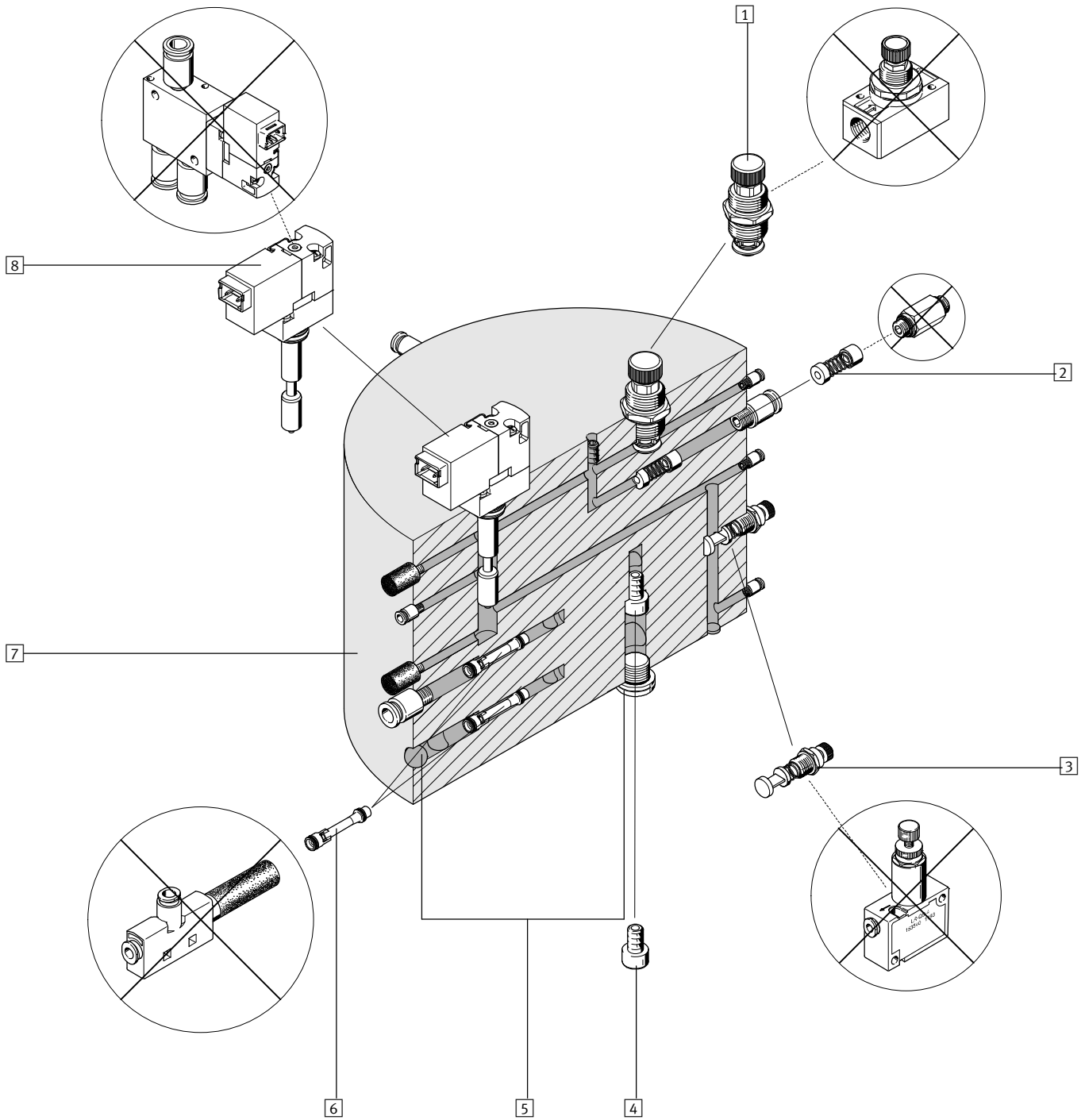
Checking and testing

The solution is fully tested.

Interested in cartridge solutions?

Ask your Festo sales engineer, who will be happy to help.

Or visit your local website at www.festo.com, where you will find further information on ready-to-install solutions.



1 Flow control valve
– Integrated

2 Non-return valve
– Integrated

3 Pressure regulator
– Integrated

4 Fixed restrictor
– Screw-in

5 Sealing of holes

6 Vacuum generator
– Integrated
– Various sizes

7 Housing
– Aluminium
– Brass
– Steel
– POM
– PEEK
– PA
– etc.

8 Valve
– Integrated