

FESTO

Release list electric drive technology

**for Component-Productions
of the Volkswagen Group
“Craft specific Part”**

**The release of the components listed in this list occurs
only after consultation with the specialist department.**

Document Change Information

Version	Date	Mode of change	Page/Chapter
1.0	01.01.2015	- First edition	all
1.1	01.01.2017	- Update of contact persons, notes and general terms - Discontinued product DNCE-32 and DNCE-40 - is substituted by ESBF	1 and 2 4.1.1 and 4.1.2 5.1.1 and 5.1.2
1.2	01.01.2018	- Update of contact persons - Extension of the EGC axes with the lubrication function "Feature C"	1 4.1.2 and 4.1.4 5.1.2 and 5.1.4
1.3	01.01.2019	- Adapt template to cover page and structure of corporate template component	all

Table of content

Document Change Information	2
Table of content	3
1 Contact Persons	4
2 Notes	5
2.1 Purpose to use.....	5
3 Overview	6
3.1 Electromechanical drives	6
3.2 Gear units	6
4 Details	7
4.1 Electromechanical drives	7
4.1.1 Electric cylinder ESBF	7
4.1.2 Spindle axes EGC-BS	8
4.1.3 Spindle axes EGC-HD-BS.....	9
4.1.4 Toothed belt axes EGC-TB	9
4.1.5 Toothed belt axis EGC-HD-TB.....	9
4.1.6 Mini slides EGSL	10
4.1.7 Toothed belt axes ELGA-TB-G	10
4.2 Accessories.....	11
4.2.1 Gear units EMGA	11
5 Type code	12
5.1 Type code electromechanical drives.....	12
5.1.1 Electric cylinder ESBF	12
5.1.2 Spindle axes EGC-BS	13
5.1.3 Spindle axes EGC-HD-BS.....	14
5.1.4 Toothed belt axes EGC-TB	15
5.1.5 Toothed belt axes EGC-HD-TB.....	16
5.1.6 Mini slides EGSL	16
5.1.7 Toothed belt axes ELGA-TB-G	16
6 Request for quotation form	17
7 Software- and Engineeringtools.....	18
7.1 Positioning Drives	18
7.2 Festo Configuration Tool FCT.....	18
7.3 Festo Support und Downloads	18
7.4 PDF File - Internet Links	19
7.5 Handling-Guide Online.....	19

1 Contact Persons

Festo AG & Co. KG

Ruiter Straße 82
D - 73734 Esslingen
Tel.: +49 (0) 711-347-0
Fax: +49 (0) 711-347-2628

International	Responsibility	Contact Details
Alexander Maager Global Key Account Manager Volkswagen		Tel.: + 49 (0) 711-347-58652 Fax: + 49 (0) 711-34754-58652 E-Mail: alexander.maager@festo.com
Jürgen Gscheidle Global Key Account Manager Audi		Tel.: + 49 (0) 711-347-10444 Fax: + 49 (0) 711-34754-10444 E-Mail: juergen.gscheidle@festo.com
Germany	Responsibility	Contact Details
Christian Möll Key Account Manager Volkswagen Group		Tel.: + 49 (0) 711-347-10497 Fax: + 49 (0) 711-34754-10497 E-Mail: christian.moell@festo.com
Tim Flügge Support Powertrain Plant	Support of Location: Baunatal, Salzgitter, Braun- schweig, Hannover	Tel.: + 49 (0) 711-347-53614 Fax: + 49 (0) 711-34754-53614 E-Mail: tim.fluegge@festo.com
Daniel Bergert Support Powertrain Plant	Support of Location: Chemnitz	Tel.: + 49 (0) 711-347-10409 Fax: + 49 (0) 711-34754-10409 E-Mail: daniel.bergert@festo.com
Lothar Raubaum Support Assembly Plant	Support of Location: Wolfsburg, Hannover, Emden and Osnabrück	Tel.: +49 (0) 711-347-10513 Fax: +49 (0) 711-34754-10513 E-Mail: lothar.raubaum@festo.com
Axel Flak National Key Account Manager Audi		Tel.: +49 (0) 711-347-57718 Fax: +49 (0) 711-34754-57718 E-Mail: axel.flak@festo.com
Poland	Responsibility	Contact Details
Piotr Wanielista Sales Manager	Support Volkswagen Poland	Tel.: + 48 (88) 2081-367 E-Mail: piotr.wanielista@festo.com
Hungary	Responsibility	Contact Details
Jozsef Kurnyek Sales Engineer	Support Audi Hungary	Tel.: + 36 (30) 9315645 Fax: + 36 (1)4365-101 E-Mail: jozsef.kurnyek@festo.com
Czech Republic	Responsibility	Contact Details
Milan Skorpik Industry Segment Manager	Support Skoda Czech Republic	Tel.: + 420 (702) 200-514 E-Mail: milan.skorpik@festo.com

2 Notes

The basis for the following approval list is the **Specification Sheet Mechanics for the Component Production of the Volkswagen Group** in the respective current issue. The respective requirements and restrictions must be observed.

2.1 Purpose to use

The products of Festo AG & Co. KG listed in this release list are intended to cover the requirements in the production areas engine, transmission, chassis and foundry of the Volkswagen Group and must be as far as possible in the sense of rational procurement, planning, maintenance and warehousing be used.

If, for project-specific reasons, deviations are required for a better solution of the production tasks, the special components must be coordinated with the customer in good time.

The operating manuals of VW AG, Mechanic-BV 1.10, Hydraulic-BV 1.12, Pneumatics-BV 1.13 and Lubrication-BV 1.17 are not valid with specification and compliance with this LH for the production areas engine, gearbox, chassis and foundry of the Volkswagen Group.

The released products are limited to the respective part numbers of Festo AG & Co. KG.

The approved motors can be found in the **electrical specifications**.

The release list does not release the requirement **Specification Sheet Mechanics for the Component Production of the Volkswagen Group**.


The [general terms and conditions](#) of Festo AG & Co. KG apply to you.

3 Overview

3.1 Electromechanical drives

Name	Order code	Remarks	Picture	Links
Electric cylinder ESBF	ESBF-...	Size 32, 40, 50, 63, 80, 100 Stroke length 30 ... 1500 mm Force: 600 ... 17000 N Motor can be mounted using axial or parallel kit Linear drive with ball screw in Clean Design		Catalogue Documentation
Spindle axes EGC-BS	EGC-...	Size 70, 80, 120, 185 Stroke length 50 ... 3000 mm Force 300 ... 3000 N.		Catalogue Documentation
Spindle axes EGC-HD-BS	EGC-...	Size 125, 160, 220 Stroke length 50 ... 2400 mm Force 300 ... 1300 N.		Catalogue Documentation
Toothed belt axes EGC-TB	EGC-...	Size 50, 70, 80, 120, 185 Stroke length 50 ... 8500 mm Force 50 ... 2500 N.		Catalogue Documentation
Toothed belt axis EGC-HD-TB	EGC-...	Size 125, 160, 220 Stroke length 50 ... 5000 mm Force 450 ... 1800 N.		Catalogue Documentation
Mini slides EGSL	EGSL-...	Size 35, 45, 55, 75 Stroke length 50 ... 300 mm		Catalogue Documentation
Toothed belt axes ELGA-TB-G	ELGA-...	Size 70, 80, 120 Max. stroke length 8500 mm Force 350 ... 1300 N Integrated plain-bearing guide.		Catalogue Documentation

3.2 Gear units

Name	Order code	Remarks	Picture	Links
Gear units EMGA	EMGA-...	Low backlash planetary gear unit for electromechanical drives Gear ratio $i = 3$ and 5 , in stock Life-time lubrication Degree of protection: IP54		Catalogue Documentation

4 Details

4.1 Electromechanical drives

4.1.1 Electric cylinder ESBF

Part no.	Order code	Name	Links
8022565	ESBF-BS-32-100-10P	electric cylinder	OK PDF CAD 3D Info
8022562	ESBF-BS-32-100-5P	electric cylinder	OK PDF CAD 3D Info
8022566	ESBF-BS-32-200-10P	electric cylinder	OK PDF CAD 3D Info
2215384	ESBF-BS-32-200-5P	electric cylinder	OK PDF CAD 3D Info
8022567	ESBF-BS-32-300-10P	electric cylinder	OK PDF CAD 3D Info
8022563	ESBF-BS-32-300-5P	electric cylinder	OK PDF CAD 3D Info
8022568	ESBF-BS-32-400-10P	electric cylinder	OK PDF CAD 3D Info
8022564	ESBF-BS-32-400-5P	electric cylinder	OK PDF CAD 3D Info
8022585 (*)	ESBF-BS-40-600-10P	electric cylinder	OK PDF CAD 3D Info
8022585 (*)	ESBF-BS-40-600-5P	electric cylinder	OK PDF CAD 3D Info
8022577	ESBF-BS-40-100-10P	electric cylinder	OK PDF CAD 3D Info
8022581	ESBF-BS-40-100-16P	electric cylinder	OK PDF CAD 3D Info
8022574	ESBF-BS-40-100-5P	electric cylinder	OK PDF CAD 3D Info
8022578	ESBF-BS-40-200-10P	electric cylinder	OK PDF CAD 3D Info
8022582	ESBF-BS-40-200-16P	electric cylinder	OK PDF CAD 3D Info
2215385	ESBF-BS-40-200-5P	electric cylinder	OK PDF CAD 3D Info
8022579	ESBF-BS-40-300-10P	electric cylinder	OK PDF CAD 3D Info
8022583	ESBF-BS-40-300-16P	electric cylinder	OK PDF CAD 3D Info
8022575	ESBF-BS-40-300-5P	electric cylinder	OK PDF CAD 3D Info
8022580	ESBF-BS-40-400-10P	electric cylinder	OK PDF CAD 3D Info
8022584	ESBF-BS-40-400-16P	electric cylinder	OK PDF CAD 3D Info
8022576	ESBF-BS-40-400-5P	electric cylinder	OK PDF CAD 3D Info
8022593	ESBF-BS-50-100-10P	electric cylinder	OK PDF CAD 3D Info
8022597	ESBF-BS-50-100-20P	electric cylinder	OK PDF CAD 3D Info
8022590	ESBF-BS-50-100-5P	electric cylinder	OK PDF CAD 3D Info
8022594	ESBF-BS-50-200-10P	electric cylinder	OK PDF CAD 3D Info
8022598	ESBF-BS-50-200-20P	electric cylinder	OK PDF CAD 3D Info
2215386	ESBF-BS-50-200-5P	electric cylinder	OK PDF CAD 3D Info
8022595	ESBF-BS-50-300-10P	electric cylinder	OK PDF CAD 3D Info
8022599	ESBF-BS-50-300-20P	electric cylinder	OK PDF CAD 3D Info
8022591	ESBF-BS-50-300-5P	electric cylinder	OK PDF CAD 3D Info
8022596	ESBF-BS-50-400-10P	electric cylinder	OK PDF CAD 3D Info
8022600	ESBF-BS-50-400-20P	electric cylinder	OK PDF CAD 3D Info
8022592	ESBF-BS-50-400-5P	electric cylinder	OK PDF CAD 3D Info
574096	ESBF-BS-63-100-10P	electric cylinder	OK PDF CAD 3D Info
574100	ESBF-BS-63-100-25P	electric cylinder	OK PDF CAD 3D Info
574093	ESBF-BS-63-100-5P	electric cylinder	OK PDF CAD 3D Info
574097	ESBF-BS-63-200-10P	electric cylinder	OK PDF CAD 3D Info
574101	ESBF-BS-63-200-25P	electric cylinder	OK PDF CAD 3D Info
1347390	ESBF-BS-63-200-5P	electric cylinder	OK PDF CAD 3D Info
574098	ESBF-BS-63-300-10P	electric cylinder	OK PDF CAD 3D Info
574102	ESBF-BS-63-300-25P	electric cylinder	OK PDF CAD 3D Info
574094	ESBF-BS-63-300-5P	electric cylinder	OK PDF CAD 3D Info

Part no.	Order code	Name	Links
574099	ESBF-BS-63-400-10P	electric cylinder	.docx PDF CAD 3D 3D
574103	ESBF-BS-63-400-25P	electric cylinder	.docx PDF CAD 3D 3D
574095	ESBF-BS-63-400-5P	electric cylinder	.docx PDF CAD 3D 3D
574107	ESBF-BS-80-100-15P	electric cylinder	.docx PDF CAD 3D 3D
574111	ESBF-BS-80-100-32P	electric cylinder	.docx PDF CAD 3D 3D
574104	ESBF-BS-80-100-5P	electric cylinder	.docx PDF CAD 3D 3D
574108	ESBF-BS-80-200-15P	electric cylinder	.docx PDF CAD 3D 3D
574112	ESBF-BS-80-200-32P	electric cylinder	.docx PDF CAD 3D 3D
1347391	ESBF-BS-80-200-5P	electric cylinder	.docx PDF CAD 3D 3D
574109	ESBF-BS-80-300-15P	electric cylinder	.docx PDF CAD 3D 3D
574113	ESBF-BS-80-300-32P	electric cylinder	.docx PDF CAD 3D 3D
574105	ESBF-BS-80-300-5P	electric cylinder	.docx PDF CAD 3D 3D
574110	ESBF-BS-80-400-15P	electric cylinder	.docx PDF CAD 3D 3D
574114	ESBF-BS-80-400-32P	electric cylinder	.docx PDF CAD 3D 3D
574106	ESBF-BS-80-400-5P	electric cylinder	.docx PDF CAD 3D 3D
574118	ESBF-BS-100-100-20P	electric cylinder	.docx PDF CAD 3D 3D
574122	ESBF-BS-100-100-40P	electric cylinder	.docx PDF CAD 3D 3D
574115	ESBF-BS-100-100-5P	electric cylinder	.docx PDF CAD 3D 3D
574119	ESBF-BS-100-200-20P	electric cylinder	.docx PDF CAD 3D 3D
574123	ESBF-BS-100-200-40P	electric cylinder	.docx PDF CAD 3D 3D
1347393	ESBF-BS-100-200-5P	electric cylinder	.docx PDF CAD 3D 3D
574120	ESBF-BS-100-300-20P	electric cylinder	.docx PDF CAD 3D 3D
574124	ESBF-BS-100-300-40P	electric cylinder	.docx PDF CAD 3D 3D
574116	ESBF-BS-100-300-5P	electric cylinder	.docx PDF CAD 3D 3D
574121	ESBF-BS-100-400-20P	electric cylinder	.docx PDF CAD 3D 3D
574125	ESBF-BS-100-400-40P	electric cylinder	.docx PDF CAD 3D 3D
574117	ESBF-BS-100-400-5P	electric cylinder	.docx PDF CAD 3D 3D

(*) It is a configurable product.

4.1.2 Spindle axes EGC-BS

The following stroke lengths are available [mm]: 125, 160, 200, 250, 320, 400, 500, 600, 700, 800, 900, 1000.
Special strokes and strokes > 1000mm require a special release.

Part no.	Order code	Name	Links
556807	EGC-70- -BS- -KF	spindle axis	.docx PDF CAD 3D 3D
556808	EGC-80- -BS- -KF- -C	spindle axis	.docx PDF CAD 3D 3D
556809	EGC-120- -BS- -KF- -C	spindle axis	.docx PDF CAD 3D 3D
556811	EGC-185- -BS- -KF- -C	spindle axis	.docx PDF CAD 3D 3D

4.1.3 Spindle axes EGC-HD-BS

The following stroke lengths are available [mm]: 125, 160, 200, 250, 320, 400, 500, 600, 700, 800, 900, 1000.
Special strokes and strokes > 1000mm require a special release.

Part no.	Order code	Name	Links
556819	EGC-HD-125- -BS	spindle axis	.OKI PDF CAD 3D E
556820	EGC-HD-160- -BS	spindle axis	.OKI PDF CAD 3D E
556821	EGC-HD-220- -BS	spindle axis	.OKI PDF CAD 3D E

4.1.4 Toothed belt axes EGC-TB

The following stroke lengths are available [mm]: 125, 160, 200, 250, 320, 400, 500, 600, 700, 800, 900, 1000.
Special strokes and strokes > 1000mm require a special release.

Part no.	Order code	Name	Links
556812	EGC-50- -TB-KF	toothed belt axis	.OKI PDF CAD 3D E
556813	EGC-70- -TB-KF	toothed belt axis	.OKI PDF CAD 3D E
556814	EGC-80- -TB-KF- -C	toothed belt axis	.OKI PDF CAD 3D E
556815	EGC-120- -TB-KF- -C	toothed belt axis	.OKI PDF CAD 3D E
556817	EGC-185- -TB-KF- -C	toothed belt axis	.OKI PDF CAD 3D E

4.1.5 Toothed belt axis EGC-HD-TB

The following stroke lengths are available [mm]: 125, 160, 200, 250, 320, 400, 500, 600, 700, 800, 900, 1000.
Special strokes and strokes > 1000mm require a special release.

Part no.	Order code	Name	Links
556823	EGC-HD-125- -TB	toothed belt axis	.OKI PDF CAD 3D E
556824	EGC-HD-160- -TB	toothed belt axis	.OKI PDF CAD 3D E
556825	EGC-HD-220- -TB	toothed belt axis	.OKI PDF CAD 3D E

4.1.6 Mini slides EGSL

Part no.	Order code	Name	Links
562160	EGSL-BS-35-50-8P	mini slide	OK PDF CAD Grid Info
559335	EGSL-BS-45-100-10P	mini slide	OK PDF CAD Grid Info
562225	EGSL-BS-45-100-3P	mini slide	OK PDF CAD Grid Info
559336	EGSL-BS-45-200-10P	mini slide	OK PDF CAD Grid Info
562226	EGSL-BS-45-200-3P	mini slide	OK PDF CAD Grid Info
559337	EGSL-BS-55-100-12.7P	mini slide	OK PDF CAD Grid Info
562227	EGSL-BS-55-100-5P	mini slide	OK PDF CAD Grid Info
559338	EGSL-BS-55-200-12.7P	mini slide	OK PDF CAD Grid Info
562228	EGSL-BS-55-200-5P	mini slide	OK PDF CAD Grid Info
559339	EGSL-BS-55-250-12.7P	mini slide	OK PDF CAD Grid Info
562229	EGSL-BS-55-250-5P	mini slide	OK PDF CAD Grid Info
562230	EGSL-BS-75-100-10P	mini slide	OK PDF CAD Grid Info
559340	EGSL-BS-75-100-20P	mini slide	OK PDF CAD Grid Info
562231	EGSL-BS-75-200-10P	mini slide	OK PDF CAD Grid Info
559341	EGSL-BS-75-200-20P	mini slide	OK PDF CAD Grid Info
562232	EGSL-BS-75-300-10P	mini slide	OK PDF CAD Grid Info
559342	EGSL-BS-75-300-20P	mini slide	OK PDF CAD Grid Info

4.1.7 Toothed belt axes ELGA-TB-G

The following stroke lengths are available [mm]: 125, 160, 200, 250, 320, 400, 500, 600, 700, 800, 900, 1000.
Special strokes and strokes > 1000mm require a special release.

Part no.	Order code	Name	Links
570502	ELGA-TB-G-70- -	toothed belt axis	OK PDF CAD Grid Info
570503	ELGA-TB-G-80- -	toothed belt axis	OK PDF CAD Grid Info
570504	ELGA-TB-G-120- -	toothed belt axis	OK PDF CAD Grid Info

4.2 Accessories

4.2.1 Gear units EMGA

Part no.	Order code	Name	Links
552196	EMGA-120-P-G3-SAS-100	gear unit	OK PDF CAD 3D Image
552198	EMGA-120-P-G3-SAS-140	gear unit	OK PDF CAD 3D Image
552197	EMGA-120-P-G5-SAS-100	gear unit	OK PDF CAD 3D Image
552199	EMGA-120-P-G5-SAS-140	gear unit	OK PDF CAD 3D Image
552200	EMGA-160-P-G3-SAS-140	gear unit	OK PDF CAD 3D Image
552201	EMGA-160-P-G5-SAS-140	gear unit	OK PDF CAD 3D Image
552186	EMGA-40-P-G3-SAS-40	gear unit	OK PDF CAD 3D Image
552187	EMGA-40-P-G5-SAS-40	gear unit	OK PDF CAD 3D Image
552188	EMGA-60-P-G3-SAS-55	gear unit	OK PDF CAD 3D Image
552190	EMGA-60-P-G3-SAS-70	gear unit	OK PDF CAD 3D Image
552189	EMGA-60-P-G5-SAS-55	gear unit	OK PDF CAD 3D Image
552191	EMGA-60-P-G5-SAS-70	gear unit	OK PDF CAD 3D Image
552194	EMGA-80-P-G3-SAS-100	gear unit	OK PDF CAD 3D Image
552192	EMGA-80-P-G3-SAS-70	gear unit	OK PDF CAD 3D Image
552195	EMGA-80-P-G5-SAS-100	gear unit	OK PDF CAD 3D Image
552193	EMGA-80-P-G5-SAS-70	gear unit	OK PDF CAD 3D Image

5 Type code

5.1 Type code electromechanical drives

5.1.1 Electric cylinder ESBF

		ESBF	-	BS	-	63	-	100	-	5P	-	F
Type												
ESBF	Electric cylinder											
Drive system												
BS	Ball screw											
LS	Lead screw											
Size												
Stroke [mm]												
Spindle pitch [mm/rev]												
Variant												
F	Female thread											
S1	Degree of protection IP65											
R3	High corrosion protection											
F1	Suitable for use in the food industry as per extended information on materials											
...E	Piston rod extension											

5.1.2 Spindle axes EGC-BS

	EGC	-	70	-	500	-	BS	-		-		-	KF	-		-	MR	-	GK	
Type																				
EGC	Spindle axis																			
Size																				
	70																			
Stroke [mm]																				
	500																			
Drive function																				
BS	Ball screw spindle																			
Spindle pitch																				
Spindle support																				
-	None																			
S	With spindle support																			
Guide																				
KF	Recirculating ball bearing guide																			
Stroke reserve																				
Motor attachment position																				
ML	On the left																			
MR	On the right																			
Slide																				
GK	Standard slide																			
GV	Extended slide																			
GP	Standard slide, protected																			
GQ	Extended slide, protected																			

																	ZJB	-	F2MX2Z	-	DN	
Additional slide																						
KL	Standard, left																					
Additional slide																						
KR	Standard, right																					
Lubrication function																						
-	Standard																					
C	Lubrication adapter																					
Displacement encoder, incremental																						
M1	Resolution: 2.5 µm																					
M2	Resolution: 10 µm																					
Clamping unit																						
1HL	1-channel, left																					
1HR	1-channel, right																					
2H	2-channel																					
Actuation type																						
PN	Pneumatically actuated																					
Accessories enclosed separately																						
F	Foot mounting																					
..M	Profile mounting																					
..B	Mounting slot cover																					
..S	Sensor slot cover																					
..Y	Slot nut for mounting slot																					
..X	Proximity sensor (SIES), inductive, slot type B, PNP, N/O contact, 7.5 m cable																					
..Z	Proximity sensor (SIES), inductive, slot type B, PNP, N/C contact, 7.5 m cable																					
..A	Emergency buffer with retainer																					
..O	Proximity sensor (SIEN), inductive, M8, PNP, N/O contact, 2.5 m cable																					
..P	Proximity sensor (SIEN), inductive, M8, PNP, N/C contact, 2.5 m cable																					
..W	Proximity sensor (SIEN), inductive, M8, PNP, N/O contact, plug M8																					
..R	Proximity sensor (SIEN), inductive, M8, PNP, N/C contact, plug M8																					
..V	Connecting cable																					
..CL	Cable clip																					
Operating instructions																						
DN	None																					

5.1.3 Spindle axes EGC-HD-BS

		EGC	-	HD	-	160	-	500	-	BS	-	10	-		-	20	-	GK	
Type																			
EGC	Spindle axis																		
Guide																			
HD	Heavy-duty guide																		
Size																			
Stroke [mm]																			
Drive function																			
BS	Spindle																		
Spindle pitch																			
Spindle support																			
-	None																		
S	With spindle support																		
Stroke reserve																			
Slide																			
GK	Standard slide																		
GP	Standard slide, protected																		

5.1.4 Toothed belt axes EGC-TB

	EGC	-	70	-	500	-	TB	-	KF	-		-	GK
Type													
EGC	Toothed belt axis												
Size													
Stroke [mm]													
Drive function													
TB	Toothed belt												
Guide													
KF	Recirculating ball bearing guide												
Stroke reserve													
Slide													
GK	Standard slide												
GV	Extended slide												
GP	Standard slide, protected												
GQ	Extended slide, protected												
→													
Additional slide													
KL	Standard, left												
Additional slide													
KR	Standard, right												
Lubrication function													
-	Standard												
C	Lubrication adapter												
Displacement encoder, incremental													
M1	Resolution: 2.5 µm												
M2	Resolution: 10 µm												
Clamping unit													
1HL	1-channel, left												
1HR	1-channel, right												
2H	2-channel												
Actuation type													
PN	Pneumatically actuated												
Accessories enclosed separately													
F	Foot mounting												
..M	Profile mounting												
..B	Mounting slot cover												
..S	Sensor slot cover												
..Y	Slot nut for mounting slot												
..X	Proximity sensor (SIES), inductive, slot type 8, PNP, N/O contact, 7.5 m cable												
..Z	Proximity sensor (SIES), inductive, slot type 8, PNP, N/C contact, 7.5 m cable												
..A	Emergency buffer with retainer												
..C	Shock absorber with retainer												
..O	Proximity sensor (SIEN), inductive, M8, PNP, N/O contact, 2.5 m cable												
..P	Proximity sensor (SIEN), inductive, M8, PNP, N/C contact, 2.5 m cable												
..W	Proximity sensor (SIEN), inductive, M8, PNP, N/O contact, plug M8												
..R	Proximity sensor (SIEN), inductive, M8, PNP, N/C contact, plug M8												
..V	Connecting cable												
..K	Driveshaft												
..CL	Cable clip												
Operating instructions													
DN	None												

5.1.5 Toothed belt axes EGC-HD-TB

	EGC	-	HD	-	125	-	500	-	TB	-	50H	-	GK
Type													
EGC	Toothed belt axis												
Guide													
HD	Heavy-duty guide												
Size													
Stroke [mm]													
Drive function													
TB	Toothed belt												
Stroke reserve													
Slide													
GK	Standard slide												
GP	Standard slide, protected												

5.1.6 Mini slides EGSL

	EGSL	-	BS	-	45	-	200	-	10P
Type									
EGSL	Mini slide								
Drive function									
BS	Ball screw spindle								
Size									
Stroke [mm]									
Spindle pitch [mm]									

5.1.7 Toothed belt axes ELGA-TB-G

	ELGA	-	TB	-	G	-	70	-	800	-	20H	-
Type												
ELGA	Toothed belt axis											
Drive function												
TB	Toothed belt											
Guide												
G	Plain-bearing guide											
Size												
Stroke [mm]												
Stroke reserve												
Protection against particles												
-	Standard											
P0	Without strip cover											

6 Request for quotation form

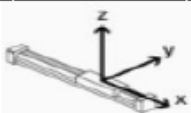
Angebotsanfrage











FESTO

Anfrage-/Projektnummer			
Kunde		Festo	
Projektbezeichnung			
Kunde		Festo	

Dimensionierung
Elektrische Antriebe



Schritt 1: Applikationsdaten			
Werkstück			
Gewicht		kg	LxBxH
Bewegte Masse inkl. Werkstück (Nutzlast)			kg
Einbaulage	<input type="checkbox"/> horizontal	<input type="checkbox"/> vertikal	
Nutzhub			mm
Positionierzeit			s
Wiederholgenauigkeit			mm
Geschwindigkeit			m/s
Beschleunigung			m/s ²
Taktfrequenz (Linearmotor/Servoantrieb)			/h
Erforderliche Vorschubkraft			N
Umgebungstemperatur			°C
Massenschwerpunkt:			
X-Achse:		mm	
Y-Achse:		mm	
Z-Achse:		mm	
Lastanordnung auf dem Schlitten:		<input type="checkbox"/> oben oder unten	<input type="checkbox"/> Seite

Schritt 2: Konfiguration			
<input type="checkbox"/> EGC-BS	<input type="checkbox"/> DGE-SP	<input type="checkbox"/> DMES	<input type="checkbox"/> DNCE
			
<input type="checkbox"/> EGC-TB	<input type="checkbox"/> DGE-ZR	<input type="checkbox"/> DGE-ZR-RF	<input type="checkbox"/> ELGR
			
<input type="checkbox"/> EGSL	<input type="checkbox"/> ELGL	<input type="checkbox"/> andere:	
			

Festo AG & Co. KG

Technik- und Applikations-
Center DE
Bereich
Handhabungssysteme

SAP Intake DEH

Ruiter Straße 82
73734 Esslingen
Germany

Telefon: 0711/347-4381

7 Software– and Engineeringtools

7.1 Positioning Drives

Our engineering and selection software Positioning Drives offers support and guidance throughout the planning process, making it easier for you to find the right Mechatronic drive solution.

The program provides complete project documentation including information such as the motion profile, dynamic load data, product characteristics and a bill of materials.

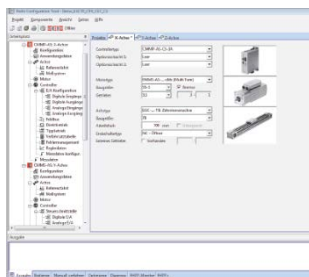


[PositioningDrives](#) (Download)

[Video tutorial for PositioningDrives](#) (Online)

7.2 Festo Configuration Tool FCT

Parameterisation and commissioning of axes:



[Festo Configuration Tool](#)

7.3 Festo Support und Downloads

The Support Portal is the first place to look for information on current and past Festo products. Find technical documentation, user manuals and declarations of conformity along with engineering software, firmware & drivers, brochures & audio visual media.



[Support Portal](#)

[Support Portal - Help](#)

7.4 PDF File - Internet Links



7.5 Handling-Guide Online

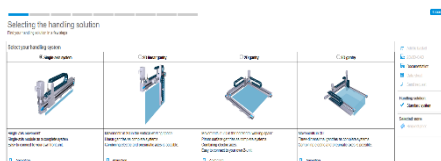
Planning complex handling systems takes a lot of time. You can use the “Handling Guide Online” (HGO) configurator to design a customised handling system for your application in just a few steps.

You can choose from the following systems:

- Single-axis system
- 2D linear gantry
- 2D gantry
- 3D gantry

Benefits:

- Automatic selection of all relevant components
- Automatic design and calculation of workload
- Quote created automatically
- CAD model available immediately
- Fully automated processing



[Handling Guide Online](#)