

FESTO

Release list Electromechanical technology

**for Component-Productions
of the Volkswagen Group
“Craft specific Part”**

**The release of the components listed in this list occurs
only after consultation with the specialist department.**

Document Change Information

Version	Date	Mode of change	Page/Chapter
1.0	01.01.2015	- First edition	all
1.1	01.01.2017	- Update of contact persons, notes and general terms - Discontinued product DNCE-32 and DNCE-40 - is substituted by ESBF	1 and 2 4.1.1 and 4.1.2 5.1.1 and 5.1.2
1.2	01.01.2018	- Update of contact persons - Extension of the EGC axes with the lubrication function "Feature C"	1 4.1.2 and 4.1.4 5.1.2 and 5.1.4
1.3	01.01.2019	- Adapt template to cover page and structure of corporate template component	all
1.4	01.01.2020	- Adapt template to cover page and structure of corporate template component - Note added by change indicator - Update contact persons	all 1
2.3	01.01.2021	- Update contact persons - Change notes - Add gear units EMGA-...-SST - Add motors and controllers - Add Festo Automation Suite FAS - Add "CMMT_FullParam" function block	1 2.1 4.2.1 3.3, 4.3 7.2 7.3

Changes to content are highlighted in grey.

Table of content

Document Change Information	2
Table of content	3
1 Contact Persons	4
2 Notes	5
2.1 Purpose to use	5
3 Overview	6
3.1 Electromechanical drives	6
3.2 Gear units	6
3.3 Motors and controllers	7
4 Details	8
4.1 Electromechanical drives	8
4.1.1 Electric cylinder ESBF	8
4.1.2 Spindle axes EGC-BS	9
4.1.3 Spindle axes EGC-HD-BS	10
4.1.4 Toothed belt axes EGC-TB	10
4.1.5 Toothed belt axis EGC-HD-TB	10
4.1.6 Mini slides EGSL	11
4.1.7 Toothed belt axes ELGA-TB-G	11
4.2 Accessories	12
4.2.1 Gear units EMGA	12
4.3 Motors and controllers	13
4.3.1 Low voltage Servo drive CMMT-ST	13
4.3.2 Low voltage stepper motor EMMS-ST	13
4.3.3 Accessories Motor and encoder cable NEBM	14
5 Type code	15
5.1 Type code electromechanical drives	15
5.1.1 Electric cylinder ESBF	15
5.1.2 Spindle axes EGC-BS	16
5.1.3 Spindle axes EGC-HD-BS	17
5.1.4 Toothed belt axes EGC-TB	18
5.1.5 Toothed belt axes EGC-HD-TB	19
5.1.6 Mini slides EGSL	19
5.1.7 Toothed belt axes ELGA-TB-G	19
6 Request for quotation form	20
7 Software– and Engineeringtools	21
7.1 Positioning Drives	21
7.2 Festo Automation Suite FAS	21
7.3 “CMMT_FullParam” function block	22
7.4 Festo Support und Downloads	22
7.5 PDF File - Internet Links	23
7.6 Handling-Guide Online	23

1 Contact Persons

Festo SE & Co. KG

Ruiter Straße 82
D - 73734 Esslingen
Tel.: +49 (0) 711-347-0
Fax: +49 (0) 711-347-2628

Germany	Responsibility	Contact Details
Tim Flügge National Key Account Manager Volkswagen Components	Betreuung der Standorte: Salzgitter, Braunschweig, Hannover	Tel.: + 49 (0) 711-347-53614 Fax: + 49 (0) 711-34754-53614 E-Mail: tim.fluegge@festo.com
Thomas Kiesewalter Aggregatebauende Werke	Betreuung der Standorte: Baunatal	Tel.: + 49 (0) 711-347-10476 Fax: + 49 (0) 711-34754-10476 E-Mail: thomas.kiesewalter@festo.com
Mike Conradi Support Powertrain Plant	Support of Location: Chemnitz	Tel.: + 49 (0) 711-347-10499 Fax: + 49 (0) 711-34754-10499 E-Mail: mike.conradi@festo.com
Lothar Raubaum Support Assembly Plant	Support of Location: Wolfsburg, Hannover, Emden and Osnabrück	Tel.: +49 (0) 711-347-10513 Fax: +49 (0) 711-34754-10513 E-Mail: lothar.raubaum@festo.com
Axel Flak National Key Account Manager Audi		Tel.: +49 (0) 711-347-57718 Fax: +49 (0) 711-34754-57718 E-Mail: axel.flak@festo.com
Thorsten Weiß Projekt-Management	Support OEM International	Tel.: +49 (0) 711-347-2030 Fax: +49 (0) 711-34754-2030 E-Mail: thorsten.weiss@festo.com

Poland	Responsibility	Contact Details
Piotr Wanielista Sales Manager	Support Volkswagen Poland	Tel.: + 48 (88) 2081-367 E-Mail: piotr.wanielista@festo.com

Hungary	Responsibility	Contact Details
Jozsef Kurnyek Sales Engineer	Support Audi Hungary	Tel.: + 36 (30) 9315645 Fax: + 36 (1)4365-101 E-Mail: jozsef.kurnyek@festo.com

Czech Republic	Responsibility	Contact Details
Milan Skorpik Industry Segment Manager	Support Skoda Czech Republic	Tel.: + 420 (702) 200-514 E-Mail: milan.skorpik@festo.com

2 Notes

The basis for the following approval list is the **Specification Sheet Mechanics for the Component Production of the Volkswagen Group** in the respective current issue. The respective requirements and restrictions must be observed.

2.1 Purpose to use

The products of Festo SE & Co. KG listed in this release list are intended to cover the requirements in the production areas engine, transmission, chassis and foundry of the Volkswagen Group and must be as far as possible in the sense of rational procurement, planning, maintenance and warehousing be used.

If, for project-specific reasons, deviations are required for a better solution of the production tasks, the special components must be coordinated with the customer in good time.

The operating manuals of VW AG, Mechanic-BV 1.10, Hydraulic-BV 1.12, Pneumatics-BV 1.13 and Lubrication-BV 1.17 are not valid with specification and compliance with this LH for the production areas engine, gearbox, chassis and foundry of the Volkswagen Group.

The released products are limited to the respective part numbers of Festo SE & Co. KG.

The release list does not release the requirement to read the **Specification Sheet Mechanics for the Component Production of the Volkswagen Group**.


The [general terms and conditions](#) of Festo SE & Co. KG apply to you.

3 Overview

3.1 Electromechanical drives




Name	Order code	Remarks	Picture	Links
Electric cylinder ESBF, Spindle drive for heavy duty	ESBF-...	Size 32, 40, 50, 63, 80, 100 Stroke length 30 ... 1500 mm Force: 600 ... 17000 N Motor can be mounted using axial or parallel kit Linear drive with ball screw in Clean Design		Catalogue Documentation
Spindle axes EGC-BS	EGC-...	Size 70, 80, 120, 185 Stroke length 50 ... 3000 mm Force 300 ... 3000 N.		Catalogue Documentation
Spindle axes EGC-HD-BS, with heavy duty guide	EGC-...	Size 125, 160, 220 Stroke length 50 ... 2400 mm Force 300 ... 1300 N.		Catalogue Documentation
Toothed belt axes EGC-TB	EGC-...	Size 50, 70, 80, 120, 185 Stroke length 50 ... 8500 mm Force 50 ... 2500 N.		Catalogue Documentation
Toothed belt axis EGC-HD-TB, with heavy duty guide	EGC-...	Size 125, 160, 220 Stroke length 50 ... 5000 mm Force 450 ... 1800 N.		Catalogue Documentation
Mini slides EGSL, guided spindle drive	EGSL-...	Size 35, 45, 55, 75 Stroke length 50 ... 300 mm		Catalogue Documentation
Toothed belt axes ELGA-TB-G, drive axle	ELGA-...	Size 70, 80, 120 Max. stroke length 8500 mm Force 350 ... 1300 N Integrated plain-bearing guide.		Catalogue Documentation

3.2 Gear units

Name	Order code	Remarks	Picture	Links
Gear units EMGA	EMGA-...	Low backlash planetary gear unit for electromechanical drives		Catalogue Documentation

3.3 Motors and controllers

The motors and controllers, as well as the types listed in [section 4.3](#), are not approved for the plant in Kassel.

Name	Order code	Remarks	Picture	Links
EMMS-ST stepper motor	EMMS-...	Size 28, 42, 57, 87 Holding torque 0.09 ... 8.6 Nm Voltage 24 ... 72 V DC Nominal current 1.4 ... 9.5 A Suitable motor cable Suitable motor flange		Catalogue Documentation
Servo drive CMMT-ST	CMMT-...	Voltage 24, 48 V DC Nominal current 8 A (peak 10A) Power up to 300W		Catalogue Documentation
Cable NEBM	NEBM-...	For servo motor EMMS-AS and stepper motor EMMS-ST Cable length 5 ... 15 m.		Catalogue Documentation

The contractor must configure the drive in the controller in such a way that it is possible to replace the CMMT-ST without a programming device and Automation Suite.

See [7.2 Festo Automation Suite FAS](#) and [7.3 "CMMT_FullParam" function block](#).

Memory reserves of the controller must be considered; if necessary, swap out to the load memory. This does not release the contractor from handing over the complete Automation Suite project to the client as part of the documentation.

As an alternative to the stepper motors listed here and the types mentioned in [section 4.3](#), the approved SERVO motors from the electrical specifications can still be used.

4 Details

4.1 Electromechanical drives

4.1.1 Electric cylinder ESBF

Part no.	Order code	Name	Links
8022565	ESBF-BS-32-100-10P	electric cylinder	OK PDF CAD 3D Info
8022562	ESBF-BS-32-100-5P	electric cylinder	OK PDF CAD 3D Info
8022566	ESBF-BS-32-200-10P	electric cylinder	OK PDF CAD 3D Info
2215384	ESBF-BS-32-200-5P	electric cylinder	OK PDF CAD 3D Info
8022567	ESBF-BS-32-300-10P	electric cylinder	OK PDF CAD 3D Info
8022563	ESBF-BS-32-300-5P	electric cylinder	OK PDF CAD 3D Info
8022568	ESBF-BS-32-400-10P	electric cylinder	OK PDF CAD 3D Info
8022564	ESBF-BS-32-400-5P	electric cylinder	OK PDF CAD 3D Info
8022585 (*)	ESBF-BS-40-600-10P	electric cylinder	OK PDF CAD 3D Info
8022585 (*)	ESBF-BS-40-600-5P	electric cylinder	OK PDF CAD 3D Info
8022577	ESBF-BS-40-100-10P	electric cylinder	OK PDF CAD 3D Info
8022581	ESBF-BS-40-100-16P	electric cylinder	OK PDF CAD 3D Info
8022574	ESBF-BS-40-100-5P	electric cylinder	OK PDF CAD 3D Info
8022578	ESBF-BS-40-200-10P	electric cylinder	OK PDF CAD 3D Info
8022582	ESBF-BS-40-200-16P	electric cylinder	OK PDF CAD 3D Info
2215385	ESBF-BS-40-200-5P	electric cylinder	OK PDF CAD 3D Info
8022579	ESBF-BS-40-300-10P	electric cylinder	OK PDF CAD 3D Info
8022583	ESBF-BS-40-300-16P	electric cylinder	OK PDF CAD 3D Info
8022575	ESBF-BS-40-300-5P	electric cylinder	OK PDF CAD 3D Info
8022580	ESBF-BS-40-400-10P	electric cylinder	OK PDF CAD 3D Info
8022584	ESBF-BS-40-400-16P	electric cylinder	OK PDF CAD 3D Info
8022576	ESBF-BS-40-400-5P	electric cylinder	OK PDF CAD 3D Info
8022593	ESBF-BS-50-100-10P	electric cylinder	OK PDF CAD 3D Info
8022597	ESBF-BS-50-100-20P	electric cylinder	OK PDF CAD 3D Info
8022590	ESBF-BS-50-100-5P	electric cylinder	OK PDF CAD 3D Info
8022594	ESBF-BS-50-200-10P	electric cylinder	OK PDF CAD 3D Info
8022598	ESBF-BS-50-200-20P	electric cylinder	OK PDF CAD 3D Info
2215386	ESBF-BS-50-200-5P	electric cylinder	OK PDF CAD 3D Info
8022595	ESBF-BS-50-300-10P	electric cylinder	OK PDF CAD 3D Info
8022599	ESBF-BS-50-300-20P	electric cylinder	OK PDF CAD 3D Info
8022591	ESBF-BS-50-300-5P	electric cylinder	OK PDF CAD 3D Info
8022596	ESBF-BS-50-400-10P	electric cylinder	OK PDF CAD 3D Info
8022600	ESBF-BS-50-400-20P	electric cylinder	OK PDF CAD 3D Info
8022592	ESBF-BS-50-400-5P	electric cylinder	OK PDF CAD 3D Info
574096	ESBF-BS-63-100-10P	electric cylinder	OK PDF CAD 3D Info
574100	ESBF-BS-63-100-25P	electric cylinder	OK PDF CAD 3D Info
574093	ESBF-BS-63-100-5P	electric cylinder	OK PDF CAD 3D Info
574097	ESBF-BS-63-200-10P	electric cylinder	OK PDF CAD 3D Info
574101	ESBF-BS-63-200-25P	electric cylinder	OK PDF CAD 3D Info
1347390	ESBF-BS-63-200-5P	electric cylinder	OK PDF CAD 3D Info
574098	ESBF-BS-63-300-10P	electric cylinder	OK PDF CAD 3D Info
574102	ESBF-BS-63-300-25P	electric cylinder	OK PDF CAD 3D Info
574094	ESBF-BS-63-300-5P	electric cylinder	OK PDF CAD 3D Info

Part no.	Order code	Name	Links
574099	ESBF-BS-63-400-10P	electric cylinder	.OKI PDF CAD 3D E
574103	ESBF-BS-63-400-25P	electric cylinder	.OKI PDF CAD 3D E
574095	ESBF-BS-63-400-5P	electric cylinder	.OKI PDF CAD 3D E
574107	ESBF-BS-80-100-15P	electric cylinder	.OKI PDF CAD 3D E
574111	ESBF-BS-80-100-32P	electric cylinder	.OKI PDF CAD 3D E
574104	ESBF-BS-80-100-5P	electric cylinder	.OKI PDF CAD 3D E
574108	ESBF-BS-80-200-15P	electric cylinder	.OKI PDF CAD 3D E
574112	ESBF-BS-80-200-32P	electric cylinder	.OKI PDF CAD 3D E
1347391	ESBF-BS-80-200-5P	electric cylinder	.OKI PDF CAD 3D E
574109	ESBF-BS-80-300-15P	electric cylinder	.OKI PDF CAD 3D E
574113	ESBF-BS-80-300-32P	electric cylinder	.OKI PDF CAD 3D E
574105	ESBF-BS-80-300-5P	electric cylinder	.OKI PDF CAD 3D E
574110	ESBF-BS-80-400-15P	electric cylinder	.OKI PDF CAD 3D E
574114	ESBF-BS-80-400-32P	electric cylinder	.OKI PDF CAD 3D E
574106	ESBF-BS-80-400-5P	electric cylinder	.OKI PDF CAD 3D E
574118	ESBF-BS-100-100-20P	electric cylinder	.OKI PDF CAD 3D E
574122	ESBF-BS-100-100-40P	electric cylinder	.OKI PDF CAD 3D E
574115	ESBF-BS-100-100-5P	electric cylinder	.OKI PDF CAD 3D E
574119	ESBF-BS-100-200-20P	electric cylinder	.OKI PDF CAD 3D E
574123	ESBF-BS-100-200-40P	electric cylinder	.OKI PDF CAD 3D E
1347393	ESBF-BS-100-200-5P	electric cylinder	.OKI PDF CAD 3D E
574120	ESBF-BS-100-300-20P	electric cylinder	.OKI PDF CAD 3D E
574124	ESBF-BS-100-300-40P	electric cylinder	.OKI PDF CAD 3D E
574116	ESBF-BS-100-300-5P	electric cylinder	.OKI PDF CAD 3D E
574121	ESBF-BS-100-400-20P	electric cylinder	.OKI PDF CAD 3D E
574125	ESBF-BS-100-400-40P	electric cylinder	.OKI PDF CAD 3D E
574117	ESBF-BS-100-400-5P	electric cylinder	.OKI PDF CAD 3D E

(*) It is a configurable product.

4.1.2 Spindle axes EGC-BS

The following stroke lengths are available [mm]: 125, 160, 200, 250, 320, 400, 500, 600, 700, 800, 900, 1000.
Special strokes and strokes > 1000mm require a special release.

Part no.	Order code	Name	Links
556807	EGC-70- -BS- -KF	spindle axis	.OKI PDF CAD 3D E
556808	EGC-80- -BS- -KF- -C	spindle axis	.OKI PDF CAD 3D E
556809	EGC-120- -BS- -KF- -C	spindle axis	.OKI PDF CAD 3D E
556811	EGC-185- -BS- -KF- -C	spindle axis	.OKI PDF CAD 3D E

4.1.3 Spindle axes EGC-HD-BS

The following stroke lengths are available [mm]: 125, 160, 200, 250, 320, 400, 500, 600, 700, 800, 900, 1000.
Special strokes and strokes > 1000mm require a special release.

Part no.	Order code	Name	Links
556819	EGC-HD-125- -BS	spindle axis	.OBJ PDF CAD 3D Info
556820	EGC-HD-160- -BS	spindle axis	.OBJ PDF CAD 3D Info
556821	EGC-HD-220- -BS	spindle axis	.OBJ PDF CAD 3D Info

4.1.4 Toothed belt axes EGC-TB

The following stroke lengths are available [mm]: 125, 160, 200, 250, 320, 400, 500, 600, 700, 800, 900, 1000.
Special strokes and strokes > 1000mm require a special release.

Part no.	Order code	Name	Links
556812	EGC-50- -TB-KF	toothed belt axis	.OBJ PDF CAD 3D Info
556813	EGC-70- -TB-KF	toothed belt axis	.OBJ PDF CAD 3D Info
556814	EGC-80- -TB-KF- -C	toothed belt axis	.OBJ PDF CAD 3D Info
556815	EGC-120- -TB-KF- -C	toothed belt axis	.OBJ PDF CAD 3D Info
556817	EGC-185- -TB-KF- -C	toothed belt axis	.OBJ PDF CAD 3D Info

4.1.5 Toothed belt axis EGC-HD-TB

The following stroke lengths are available [mm]: 125, 160, 200, 250, 320, 400, 500, 600, 700, 800, 900, 1000.
Special strokes and strokes > 1000mm require a special release.

Part no.	Order code	Name	Links
556823	EGC-HD-125- -TB	toothed belt axis	.OBJ PDF CAD 3D Info
556824	EGC-HD-160- -TB	toothed belt axis	.OBJ PDF CAD 3D Info
556825	EGC-HD-220- -TB	toothed belt axis	.OBJ PDF CAD 3D Info

4.1.6 Mini slides EGSL

Part no.	Order code	Name	Links
562160	EGSL-BS-35-50-8P	mini slide	OK PDF CAD 3D Info
559335	EGSL-BS-45-100-10P	mini slide	OK PDF CAD 3D Info
562225	EGSL-BS-45-100-3P	mini slide	OK PDF CAD 3D Info
559336	EGSL-BS-45-200-10P	mini slide	OK PDF CAD 3D Info
562226	EGSL-BS-45-200-3P	mini slide	OK PDF CAD 3D Info
559337	EGSL-BS-55-100-12.7P	mini slide	OK PDF CAD 3D Info
562227	EGSL-BS-55-100-5P	mini slide	OK PDF CAD 3D Info
559338	EGSL-BS-55-200-12.7P	mini slide	OK PDF CAD 3D Info
562228	EGSL-BS-55-200-5P	mini slide	OK PDF CAD 3D Info
559339	EGSL-BS-55-250-12.7P	mini slide	OK PDF CAD 3D Info
562229	EGSL-BS-55-250-5P	mini slide	OK PDF CAD 3D Info
562230	EGSL-BS-75-100-10P	mini slide	OK PDF CAD 3D Info
559340	EGSL-BS-75-100-20P	mini slide	OK PDF CAD 3D Info
562231	EGSL-BS-75-200-10P	mini slide	OK PDF CAD 3D Info
559341	EGSL-BS-75-200-20P	mini slide	OK PDF CAD 3D Info
562232	EGSL-BS-75-300-10P	mini slide	OK PDF CAD 3D Info
559342	EGSL-BS-75-300-20P	mini slide	OK PDF CAD 3D Info

4.1.7 Toothed belt axes ELGA-TB-G

The following stroke lengths are available [mm]: 125, 160, 200, 250, 320, 400, 500, 600, 700, 800, 900, 1000.
Special strokes and strokes > 1000mm require a special release.

Part no.	Order code	Name	Links
570502	ELGA-TB-G-70- -	toothed belt axis	OK PDF CAD 3D Info
570503	ELGA-TB-G-80- -	toothed belt axis	OK PDF CAD 3D Info
570504	ELGA-TB-G-120- -	toothed belt axis	OK PDF CAD 3D Info

4.2 Accessories

4.2.1 Gear units EMGA

Part no.	Order code	Name	Links
549428	EMGA-40-P-G3-SST-42	gear unit	OK PDF CAD 3D Info
549429	EMGA-40-P-G5-SST-42	gear unit	OK PDF CAD 3D Info
549430	EMGA-60-P-G3-SST-57	gear unit	OK PDF CAD 3D Info
549431	EMGA-60-P-G5-SST-57	gear unit	OK PDF CAD 3D Info
549432	EMGA-80-P-G3-SST-87	gear unit	OK PDF CAD 3D Info
549433	EMGA-80-P-G5-SST-87	gear unit	OK PDF CAD 3D Info
552196	EMGA-120-P-G3-SAS-100	gear unit	OK PDF CAD 3D Info
552198	EMGA-120-P-G3-SAS-140	gear unit	OK PDF CAD 3D Info
552197	EMGA-120-P-G5-SAS-100	gear unit	OK PDF CAD 3D Info
552199	EMGA-120-P-G5-SAS-140	gear unit	OK PDF CAD 3D Info
552200	EMGA-160-P-G3-SAS-140	gear unit	OK PDF CAD 3D Info
552201	EMGA-160-P-G5-SAS-140	gear unit	OK PDF CAD 3D Info
552186	EMGA-40-P-G3-SAS-40	gear unit	OK PDF CAD 3D Info
552187	EMGA-40-P-G5-SAS-40	gear unit	OK PDF CAD 3D Info
552188	EMGA-60-P-G3-SAS-55	gear unit	OK PDF CAD 3D Info
552190	EMGA-60-P-G3-SAS-70	gear unit	OK PDF CAD 3D Info
552189	EMGA-60-P-G5-SAS-55	gear unit	OK PDF CAD 3D Info
552191	EMGA-60-P-G5-SAS-70	gear unit	OK PDF CAD 3D Info
552194	EMGA-80-P-G3-SAS-100	gear unit	OK PDF CAD 3D Info
552192	EMGA-80-P-G3-SAS-70	gear unit	OK PDF CAD 3D Info
552195	EMGA-80-P-G5-SAS-100	gear unit	OK PDF CAD 3D Info
552193	EMGA-80-P-G5-SAS-70	gear unit	OK PDF CAD 3D Info

4.3 Motors and controllers

4.3.1 Low voltage Servo drive CMMT-ST













Part no.	Order code	Name	Links
8084004	CMMT-ST-C8-1C-PN-S0	Low voltage servo drive	

Note:

The parameter set must be stored in the controller in accordance with VW specifications in order to enable commissioning without Festo Automation Suite in the event of replacement.

Support and details can be found in [chapter 7.3](#).

4.3.2 Low voltage stepper motor EMMS-ST

Part no.	Order code	Name	Links
1370473	EMMS-ST-42-S-SEB-G2	Low voltage stepper motor	
1370471	EMMS-ST-42-S-SE-G2	Low voltage stepper motor	
1370481	EMMS-ST-57-M-SEB-G2	Low voltage stepper motor	
1370479	EMMS-ST-57-M-SE-G2	Low voltage stepper motor	
1370477	EMMS-ST-57-S-SEB-G2	Low voltage stepper motor	
1370475	EMMS-ST-57-S-SE-G2	Low voltage stepper motor	
1370494	EMMS-ST-87-L-SEB-G2	Low voltage stepper motor	
1370491	EMMS-ST-87-L-SE-G2	Low voltage stepper motor	
1370489	EMMS-ST-87-M-SEB-G2	Low voltage stepper motor	
1370487	EMMS-ST-87-M-SE-G2	Low voltage stepper motor	
1370485	EMMS-ST-87-S-SEB-G2	Low voltage stepper motor	
1370483	EMMS-ST-87-S-SE-G2	Low voltage stepper motor	

4.3.3 Accessories Motor and encoder cable NEBM

Part no.	Order code	Name	Links
1451591	NEBM-M12G8-E- -LE8	encoder cable	OK PDF CAD 3D 3D
1451586	NEBM-M12G8-E-1.5-LE8	encoder cable	OK PDF CAD 3D 3D
1451590	NEBM-M12G8-E-10-LE8	encoder cable	OK PDF CAD 3D 3D
1451587	NEBM-M12G8-E-2.5-LE8	encoder cable	OK PDF CAD 3D 3D
1451588	NEBM-M12G8-E-5-LE8	encoder cable	OK PDF CAD 3D 3D
1451589	NEBM-M12G8-E-7-LE8	encoder cable	OK PDF CAD 3D 3D
1451679	NEBM-M12W8-E- -LE8	encoder cable	OK PDF CAD 3D 3D
1451674	NEBM-M12W8-E-1.5-LE8	encoder cable	OK PDF CAD 3D 3D
1451678	NEBM-M12W8-E-10-LE8	encoder cable	OK PDF CAD 3D 3D
1451675	NEBM-M12W8-E-2.5-LE8	encoder cable	OK PDF CAD 3D 3D
1451676	NEBM-M12W8-E-5-LE8	encoder cable	OK PDF CAD 3D 3D
1451677	NEBM-M12W8-E-7-LE8	encoder cable	OK PDF CAD 3D 3D
1450839	NEBM-S1G15-E- -Q7-LE6	motor cable	OK PDF CAD 3D 3D
1450834	NEBM-S1G15-E-1.5-Q7-LE6	motor cable	OK PDF CAD 3D 3D
1450838	NEBM-S1G15-E-10-Q7-LE6	motor cable	OK PDF CAD 3D 3D
1450835	NEBM-S1G15-E-2.5-Q7-LE6	motor cable	OK PDF CAD 3D 3D
1450836	NEBM-S1G15-E-5-Q7-LE6	motor cable	OK PDF CAD 3D 3D
1450837	NEBM-S1G15-E-7-Q7-LE6	motor cable	OK PDF CAD 3D 3D
1450368	NEBM-S1G9-E-1.5-Q5-LE6	motor cable	OK PDF CAD 3D 3D
1450372	NEBM-S1G9-E-10-Q5-LE6	motor cable	OK PDF CAD 3D 3D
1450369	NEBM-S1G9-E-2.5-Q5-LE6	motor cable	OK PDF CAD 3D 3D
1450370	NEBM-S1G9-E-5-Q5-LE6	motor cable	OK PDF CAD 3D 3D
1450371	NEBM-S1G9-E-7-Q5-LE6	motor cable	OK PDF CAD 3D 3D
1450948	NEBM-S1W15-E- -Q7-LE6	motor cable	OK PDF CAD 3D 3D
1450943	NEBM-S1W15-E-1.5-Q7-LE6	motor cable	OK PDF CAD 3D 3D
1450947	NEBM-S1W15-E-10-Q7-LE6	motor cable	OK PDF CAD 3D 3D
1450944	NEBM-S1W15-E-2.5-Q7-LE6	motor cable	OK PDF CAD 3D 3D
1450945	NEBM-S1W15-E-5-Q7-LE6	motor cable	OK PDF CAD 3D 3D
1450946	NEBM-S1W15-E-7-Q7-LE6	motor cable	OK PDF CAD 3D 3D
1450741	NEBM-S1W9-E- -Q5-LE6	motor cable	OK PDF CAD 3D 3D
1450736	NEBM-S1W9-E-1.5-Q5-LE6	motor cable	OK PDF CAD 3D 3D
1450740	NEBM-S1W9-E-10-Q5-LE6	motor cable	OK PDF CAD 3D 3D
1450737	NEBM-S1W9-E-2.5-Q5-LE6	motor cable	OK PDF CAD 3D 3D
1450738	NEBM-S1W9-E-5-Q5-LE6	motor cable	OK PDF CAD 3D 3D
1450739	NEBM-S1W9-E-7-Q5-LE6	motor cable	OK PDF CAD 3D 3D
1449605	NEBM-SM12G8-E- -Q5-LE6	motor cable	OK PDF CAD 3D 3D
1449600	NEBM-SM12G8-E-1.5-Q5-LE6	motor cable	OK PDF CAD 3D 3D
1449604	NEBM-SM12G8-E-10-Q5-LE6	motor cable	OK PDF CAD 3D 3D
1449601	NEBM-SM12G8-E-2.5-Q5-LE6	motor cable	OK PDF CAD 3D 3D
1449602	NEBM-SM12G8-E-5-Q5-LE6	motor cable	OK PDF CAD 3D 3D
1449603	NEBM-SM12G8-E-7-Q5-LE6	motor cable	OK PDF CAD 3D 3D

5 Type code

5.1 Type code electromechanical drives

5.1.1 Electric cylinder ESBF

		ESBF	-	BS	-	63	-	100	-	5P	-	F		
Type														
ESBF	Electric cylinder													
Drive system														
BS	Ball screw													
LS	Lead screw													
Size														
Stroke [mm]														
Spindle pitch [mm/rev]														
Variant														
F	Female thread													
S1	Degree of protection IP65													
R3	High corrosion protection													
F1	Suitable for use in the food industry as per extended information on materials													
...E	Piston rod extension													

5.1.2 Spindle axes EGC-BS

	EGC	-	70	-	500	-	BS	-		-		-	KF	-		-	MR	-	GK	
Type	EGC	Spindle axis																		
Size		70																		
Stroke [mm]		500																		
Drive function	BS	Ball screw spindle																		
Spindle pitch																				
Spindle support	-	None																		
	S	With spindle support																		
Guide	KF	Recirculating ball bearing guide																		
Stroke reserve																				
Motor attachment position	MR	On the right																		
	ML	On the left																		
Slide	GK	Standard slide																		
	GV	Extended slide																		
	GP	Standard slide, protected																		
	GQ	Extended slide, protected																		

																	ZUB	-	F2MX2Z	-	DN
Additional slide	KL	Standard, left																			
Additional slide	KR	Standard, right																			
Lubrication function	-	Standard																			
	C	Lubrication adapter																			
Displacement encoder, Incremental	M1	Resolution: 2.5 µm																			
	M2	Resolution: 10 µm																			
Clamping unit	1HL	1-channel, left																			
	1HR	1-channel, right																			
	2H	2-channel																			
Actuation type	PN	Pneumatically actuated																			
Accessories enclosed separately	F	Foot mounting																			
	..M	Profile mounting																			
	..B	Mounting slot cover																			
	..S	Sensor slot cover																			
	..Y	Slot nut for mounting slot																			
	..X	Proximity sensor (SIES), inductive, slot type B, PNP, N/O contact, 7.5 m cable																			
	..Z	Proximity sensor (SIES), inductive, slot type B, PNP, N/C contact, 7.5 m cable																			
	..A	Emergency buffer with retainer																			
	..O	Proximity sensor (SIEN), inductive, M8, PNP, N/O contact, 2.5 m cable																			
	..P	Proximity sensor (SIEN), inductive, M8, PNP, N/C contact, 2.5 m cable																			
	..W	Proximity sensor (SIEN), inductive, M8, PNP, N/O contact, plug M8																			
	..R	Proximity sensor (SIEN), inductive, M8, PNP, N/C contact, plug M8																			
	..V	Connecting cable																			
	..CL	Cable clip																			
Operating instructions	DN	None																			

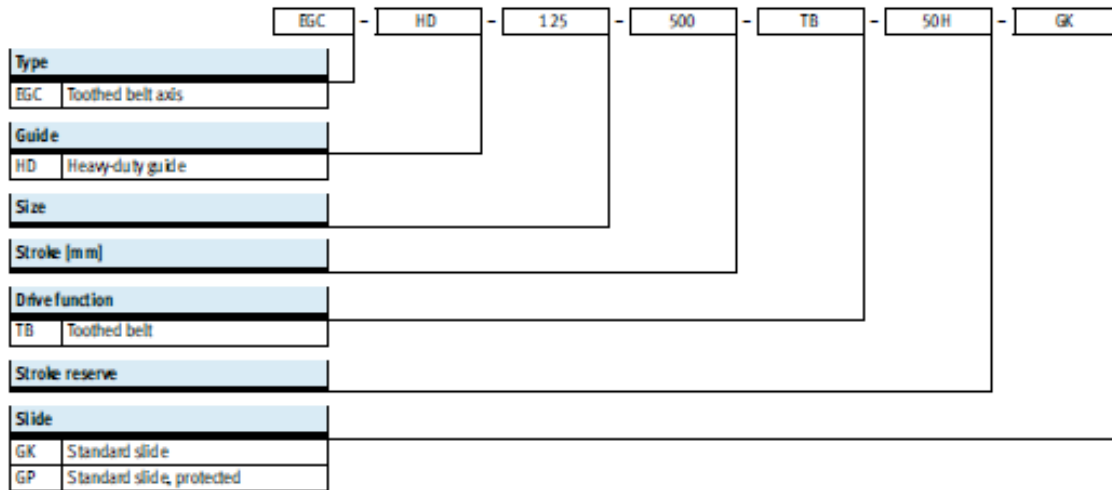
5.1.3 Spindle axes EGC-HD-BS



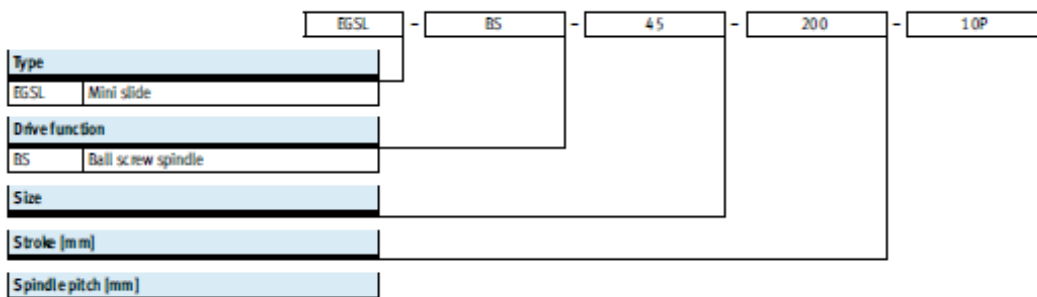
5.1.4 Toothed belt axes EGC-TB

	EGC	-	70	-	500	-	TB	-	KF	-		-	GK		
Type															
EGC	Toothed belt axis														
Size															
Stroke [mm]															
Drive function															
TB	Toothed belt														
Guide															
KF	Recirculating ball bearing guide														
Stroke reserve															
Slide															
GK	Standard slide														
GV	Extended slide														
GP	Standard slide, protected														
GQ	Extended slide, protected														
→											ZJB	-	F2MX2Z	-	DN
Additional slide															
KL	Standard, left														
Additional slide															
KR	Standard, right														
Lubrication function															
-	Standard														
C	Lubrication adapter														
Displacement encoder, incremental															
M1	Resolution: 2.5 µm														
M2	Resolution: 10 µm														
Clamping unit															
1HL	1-channel, left														
1HR	1-channel, right														
2H	2-channel														
Actuation type															
PN	Pneumatically actuated														
Accessories enclosed separately															
F	Foot mounting														
..M	Profile mounting														
..B	Mounting slot cover														
..S	Sensor slot cover														
..Y	Slot nut for mounting slot														
..X	Proximity sensor (SIES), inductive, slot type 8, PNP, N/O contact, 7.5 m cable														
..Z	Proximity sensor (SIES), inductive, slot type 8, PNP, N/C contact, 7.5 m cable														
..A	Emergency buffer with retainer														
..C	Shock absorber with retainer														
..O	Proximity sensor (SIEN), inductive, M8, PNP, N/O contact, 2.5 m cable														
..P	Proximity sensor (SIEN), inductive, M8, PNP, N/C contact, 2.5 m cable														
..W	Proximity sensor (SIEN), inductive, M8, PNP, N/O contact, plug M8														
..R	Proximity sensor (SIEN), inductive, M8, PNP, N/C contact, plug M8														
..V	Connecting cable														
..K	Drive shaft														
..CL	Cable clip														
Operating instructions															
DN	None														

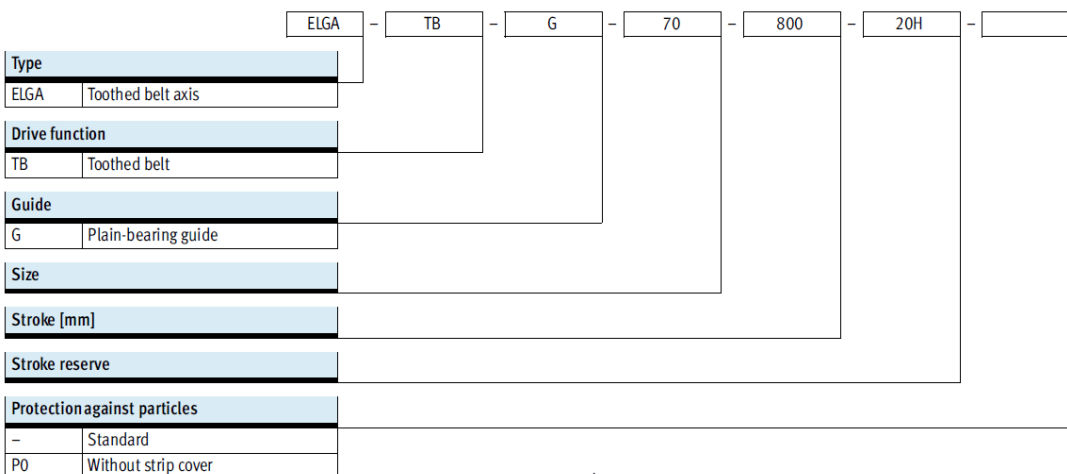
5.1.5 Toothed belt axes EGC-HD-TB



5.1.6 Mini slides EGSL



5.1.7 Toothed belt axes ELGA-TB-G



6 Request for quotation form

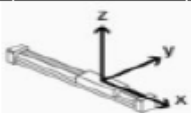
Angebotsanfrage











FESTO

Anfrage-/Projektnummer			
Kunde		Festo	
Projektbezeichnung			
Kunde		Festo	

Dimensionierung
Elektrische Antriebe



Schritt 1: Applikationsdaten			
Werkstück			
Gewicht		kg	LxBxH
Bewegte Masse inkl. Werkstück (Nutzlast)			kg
Einbaulage	<input type="checkbox"/> horizontal	<input type="checkbox"/> vertikal	
Nutzhub			mm
Positionierzeit			s
Wiederholgenauigkeit			mm
Geschwindigkeit			m/s
Beschleunigung			m/s ²
Taktfrequenz (Linearmotor/Servoantrieb)			/h
Erforderliche Vorschubkraft			N
Umgebungstemperatur			°C
Massenschwerpunkt:			
X-Achse:		mm	
Y-Achse:		mm	
Z-Achse:		mm	
Lastanordnung auf dem Schlitten:		<input type="checkbox"/> oben oder unten	<input type="checkbox"/> Seite

Schritt 2: Konfiguration			
<input type="checkbox"/> EGC-BS	<input type="checkbox"/> DGE-SP	<input type="checkbox"/> DMES	<input type="checkbox"/> DNCE
			
<input type="checkbox"/> EGC-TB	<input type="checkbox"/> DGE-ZR	<input type="checkbox"/> DGE-ZR-RF	<input type="checkbox"/> ELGR
			
<input type="checkbox"/> EGSL	<input type="checkbox"/> ELGL	<input type="checkbox"/> andere:	
			

Festo AG & Co. KG

Technik- und Applikations-
Center DE
Bereich
Handhabungssysteme

SAP Intake DEH

Ruiter Straße 82
73734 Esslingen
Germany

Telefon: 0711/347-4381

7 Software– and Engineeringtools

7.1 Positioning Drives

Our engineering and selection software Positioning Drives offers support and guidance throughout the planning process, making it easier for you to find the right Mechatronic drive solution.

The program provides complete project documentation including information such as the motion profile, dynamic load data, product characteristics and a bill of materials.



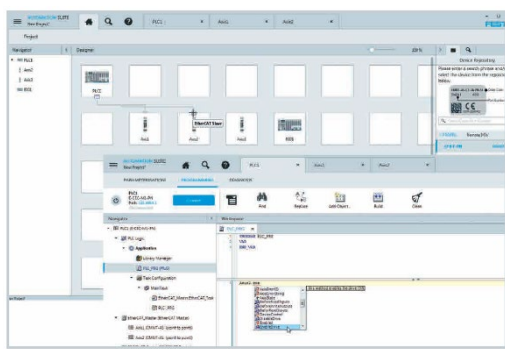
[PositioningDrives](#) (Download)

[Video tutorial for PositioningDrives](#) (Online)

7.2 Festo Automation Suite FAS

Note: Use Festo Automation Suite only from version 2.1.0.519.

Parameterization, programming and maintenance of electronic devices from Festo



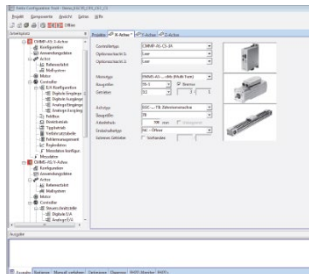
[Automation Suite](#)

7.3 “CMMT_FullParam” function block

Festo_CMMT_FullParam

With this module, a motor controller can be put into operation with a customer-specific parameter set. The parameter set is generated from the Festo Automation Suite and can be read into the TIA Portal. This enables commissioning without Festo Automation Suite, e.g. in the event of a replacement.

Further information on operation and setup can be found in the user documentation for the motor controller.



[Access to the function block for the TIA Portal including documentation and application description](#)

[Manual for CMMT-ST](#)

7.4 Festo Support und Downloads

The Support Portal is the first place to look for information on current and past Festo products. Find technical documentation, user manuals and declarations of conformity along with engineering software, firmware & drivers, brochures & audio-visual media.



[Support Portal](#)

[Support Portal - Help](#)

7.5 PDF File - Internet Links

Internet Links

- xDKI Online-Link Link to Festo Online Catalogue
- CAD Link to Festo Online CAD-Download
- Documentation Link to catalogue pages
- Data Sheet Link to data sheet
- Accessories Link to product / accessories

Name	Links
electric cylinder	
electric cylinder	
electric cylinder	
electric cylinder	
electric cylinder	

7.6 Handling-Guide Online

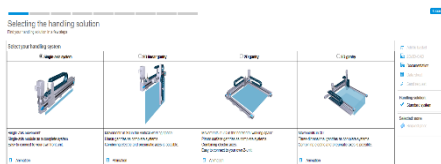
Planning complex handling systems takes a lot of time. You can use the “Handling Guide Online” (HGO) configurator to design a customised handling system for your application in just a few steps.

You can choose from the following systems:

- Single-axis system
- 2D linear gantry
- 2D gantry
- 3D gantry

Benefits:

- Automatic selection of all relevant components
- Automatic design and calculation of workload
- Quote created automatically
- CAD model available immediately
- Fully automated processing



[Handling Guide Online](#)