

3-Way Ball Valve Assembly VZBE-3L/3T-DFPD

Stainless Steel Valve Preassembled with Pneumatic Actuator

FESTO



Ready-to-Install

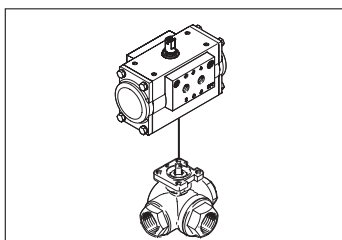
Highlights

- One part number simplifies ordering and logistics
- Faster delivery
- No assembly required
- Simple addition of accessories due to standard interfaces

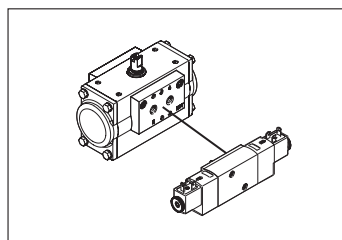
This unbeatable package is both economical and a time saver. Festo has matched the torques, mounting patterns and hardware so you don't have to. This reduces the time required for valve selection, calculation and sizing of the actuator and design of assembly hardware. It simplifies your logistics and procurement and ensures a working solution everytime.

Features

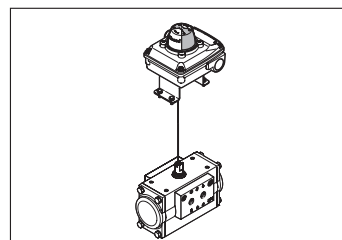
- High flow full port valve
- Available in L-bore or T-bore
- Simple pneumatic actuation
- Dual piston rack and pinion quarter turn actuator
- Double acting and spring return actuators
- ISO/Namur/VDI/VDE interfaces for accessories
- Suitable for outdoor, hazardous location and certain washdown environments
- Suitable for range of fluids and inert gases



Ball valve (VZBE) and actuator (DFPD) preassembled



Optional accessories
NAMUR valves: VSNC



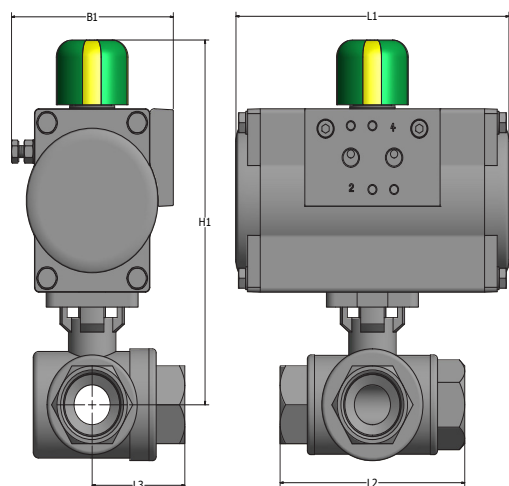
Optional accessories
Sensor boxes: SRBC/E/G

3-Way Ball Valve Assembly VZBE-3L/3T-DFPD

Stainless Steel Valve Preassembled with Pneumatic Actuator

General Technical Data								
Ball Valve connection [inch]	1/4"	3/8"	1/2"	3/4"	1"	1 1/4"	1 1/2"	2"
Valve Function/Construction	3-way ball valve with ISO5211 mounting pad for direct mount							
Valve Material	316 Stainless steel body, ball, and stem, PTFE Seat, PTFE Seals							
Valve Connections	NPT (according to ANSI B1.20.1)							
Media Type	Water, Oil, Gas, Any fluid media that is non-abrasive or non-corrosive to the valve materials							
Media Pressure	High vacuum up to 1000 psi							
Media Temperature	-4°F to 300°F (-20°C to 150°C)*							
Actuator Type	DFPD, quarter-turn pneumatic actuator. Meets ISO5211, NAMUR, and VDI/VDE 3845 standards							
Nominal Supply Pressure	80 psi (5.5 bar)							
Actuator Sizes (Double Acting)	DFPD-20			DFPD-40		DFPD-80		DFPD-120
Actuator Sizes (Spring Return)	DFPD-40			DFPD-80		DFPD-120	DFPD-160	DFPD-240

* Valves can handles up to 392°F (200°C), but for temperatures exceeding 300°F (150°C), a DFPD actuator with Viton seals is recommended



Dimensions [in]								
Size [inch]			Double Acting			Single Acting		
	L2	L3	B1	H1	L1	B1	H1	L1
1/4"	2.98	1.47	3.06	6.01	4.91	3.53	6.54	6.71
3/8"	2.98	1.47	3.06	6.01	4.91	3.53	6.54	6.71
1/2"	2.98	1.47	3.06	6.01	4.91	3.53	6.54	6.71
3/4"	3.41	1.76	3.06	6.29	5.25	3.53	6.76	6.71
1"	4.03	2.02	3.53	7.20	5.96	4.25	7.91	8.78
1 1/4"	4.65	2.27	4.25	8.13	8.94	4.87	8.64	9.98
1 1/2"	4.95	2.47	4.25	8.77	8.94	5.25	9.72	10.67
2"	5.87	2.94	4.87	9.64	8.64	6.06	11.10	11.87

Type	Port	1	2	3	4
L		1 ⊕ 2	1 ⊕ 2	1 ⊕ 2	1 ⊕ 2
T		1 ⊕ 2	1 ⊕ 2	1 ⊕ 2	1 ⊕ 2

Note: All 3-way ball valve assemblies (L-bore or T-bore) are assembled to rotate between Positions 1 and 2. For spring return assemblies, the Fail position is Position 2.

L-Bore Ball Valve Assemblies				
Size [inch]	Double Acting Assembly		Single Acting Assembly	
	Part Number	Type Code	Part Number	Type Code
1/4"	13120417	VZBE-3L-1/4-DFPD-DA-CS	13120425	VZBE-3L-1/4-DFPD-SR-CS
3/8"	13120418	VZBE-3L-3/8-DFPD-DA-CS	13120426	VZBE-3L-3/8-DFPD-SR-CS
1/2"	13120419	VZBE-3L-1/2-DFPD-DA-CS	13120427	VZBE-3L-1/2-DFPD-SR-CS
3/4"	13120420	VZBE-3L-3/4-DFPD-DA-CS	13120428	VZBE-3L-3/4-DFPD-SR-CS
1"	13120421	VZBE-3L-1-DFPD-DA-CS	13120429	VZBE-3L-1-DFPD-SR-CS
1 1/4"	13120422	VZBE-3L-11/4-DFPD-DA-CS	13120430	VZBE-3L-11/4-DFPD-SR-CS
1 1/2"	13120423	VZBE-3L-11/2-DFPD-DA-CS	13120431	VZBE-3L-11/2-DFPD-SR-CS
2"	13120424	VZBE-3L-2-DFPD-DA-CS	13120432	VZBE-3L-2-DFPD-SR-CS

All assemblies are sized for nominal pilot pressure of 80 psi (5.5 bar)

T-Bore Ball Valve Assemblies				
Size [inch]	Double Acting Assembly		Single Acting Assembly	
	Part Number	Type Code	Part Number	Type Code
1/4"	13120605	VZBE-3T-1/4-DFPD-DA-CS	13120623	VZBE-3T-1/4-DFPD-SR-CS
3/8"	13120606	VZBE-3T-3/8-DFPD-DA-CS	13120324	VZBE-3T-3/8-DFPD-SR-CS
1/2"	13120607	VZBE-3T-1/2-DFPD-DA-CS	13120625	VZBE-3T-1/2-DFPD-SR-CS
3/4"	13120608	VZBE-3T-3/4-DFPD-DA-CS	13120626	VZBE-3T-3/4-DFPD-SR-CS
1"	13120609	VZBE-3T-1-DFPD-DA-CS	13120627	VZBE-3T-1-DFPD-SR-CS
1 1/4"	13120620	VZBE-3T-11/4-DFPD-DA-CS	13120628	VZBE-3T-11/4-DFPD-SR-CS
1 1/2"	13120621	VZBE-3T-11/2-DFPD-DA-CS	13120629	VZBE-3T-11/2-DFPD-SR-CS
2"	13120622	VZBE-3T-2-DFPD-DA-CS	13120630	VZBE-3T-2-DFPD-SR-CS

Common Accessories		
Part Number	Type Code	Description
577262	VSNC-FC-M52-MD-N14-F8	Single solenoid, Namur valve (no coil)
8030802	VACF-B-B2-1	24VDC for VSNC valve
8030806	VACF-B-B2-16B	120VAC Coil for VSNC vavle
34431	MSSD-F	Plug socket for VSNC coils
3482805	SRBC-CA3-YR90-MW-22A-1W-C2P20	General purpose sensor box
For variants or additional assembly options, please contact Festo		

Festo Corporation

1377 Motor Parkway
Suite 310
Islandia, NY 11749

www.festo.us